



US00D828476S

(12) **United States Design Patent** (10) **Patent No.:** **US D828,476 S**
Smith et al. (45) **Date of Patent:** **** Sep. 11, 2018**

(54) **FIREARM STOCK**

(56) **References Cited**

(71) Applicant: **VISTA OUTDOOR OPERATIONS LLC**, Farmington, UT (US)

U.S. PATENT DOCUMENTS

(72) Inventors: **Paul N. Smith**, Bozeman, MT (US); **Robert A. Kincaid**, Manhattan, MT (US); **Daniel D. Sereday**, Belgrade, MT (US); **Troy E. Lance**, Livingston, MT (US); **Christopher J. Michael**, Belgrade, MT (US); **Oscar C. Woods**, Bozeman, MT (US)

543,138 A	6/1895	Murray
1,084,848 A	1/1914	Demele
2,200,780 A	5/1940	Schmeisser
2,293,128 A	8/1942	Fortin
2,400,349 A	5/1946	Haberstump
2,424,944 A	7/1947	Patchett
2,437,548 A	3/1948	Patchett
2,441,487 A	5/1948	Howard
2,780,145 A	2/1957	Saive
3,020,662 A	2/1962	Merkel
3,123,928 A	3/1964	Lizza
3,369,316 A	2/1968	Miller
3,817,148 A	6/1974	Schirneker
3,897,729 A	8/1975	Schimeker
3,919,921 A	11/1975	Schirneker
4,063,379 A	12/1977	Ruger
4,299,046 A	11/1981	Atchisson
4,416,186 A	11/1983	Sullivan
4,513,523 A	4/1985	Gal
4,579,037 A	4/1986	Gillum
4,640,036 A	2/1987	Gal
4,735,007 A	4/1988	Gal
4,766,800 A	8/1988	Miller et al.
4,788,785 A	12/1988	White
4,967,642 A	11/1990	Mihaita
D324,557 S	3/1992	Livingston
5,410,833 A	5/1995	Paterson
5,519,957 A	5/1996	Iannetta
5,752,339 A	5/1998	Bentley et al.
5,916,087 A	6/1999	Owens
5,974,718 A	11/1999	Bentley et al.
6,250,009 B1	6/2001	Leontuk
6,470,617 B1	10/2002	Gregory et al.
6,490,822 B1	12/2002	Swan
6,499,245 B1	12/2002	Swan
6,523,374 B1	2/2003	Owens
6,543,173 B1	4/2003	Golan
6,598,329 B1	7/2003	Alexander
6,618,976 B1	9/2003	Swan
6,820,361 B2	11/2004	Popikow
6,925,743 B1	8/2005	DiGiovanna
D516,660 S	3/2006	Murello et al.
D517,637 S	3/2006	Murello et al.
7,104,001 B1	9/2006	DiGiovanna
RE39,465 E	1/2007	Swan

(73) Assignee: **Vista Outdoor Operations LLC**, Farmington, UT (US)

(**) Term: **15 Years**

(21) Appl. No.: **29/586,962**

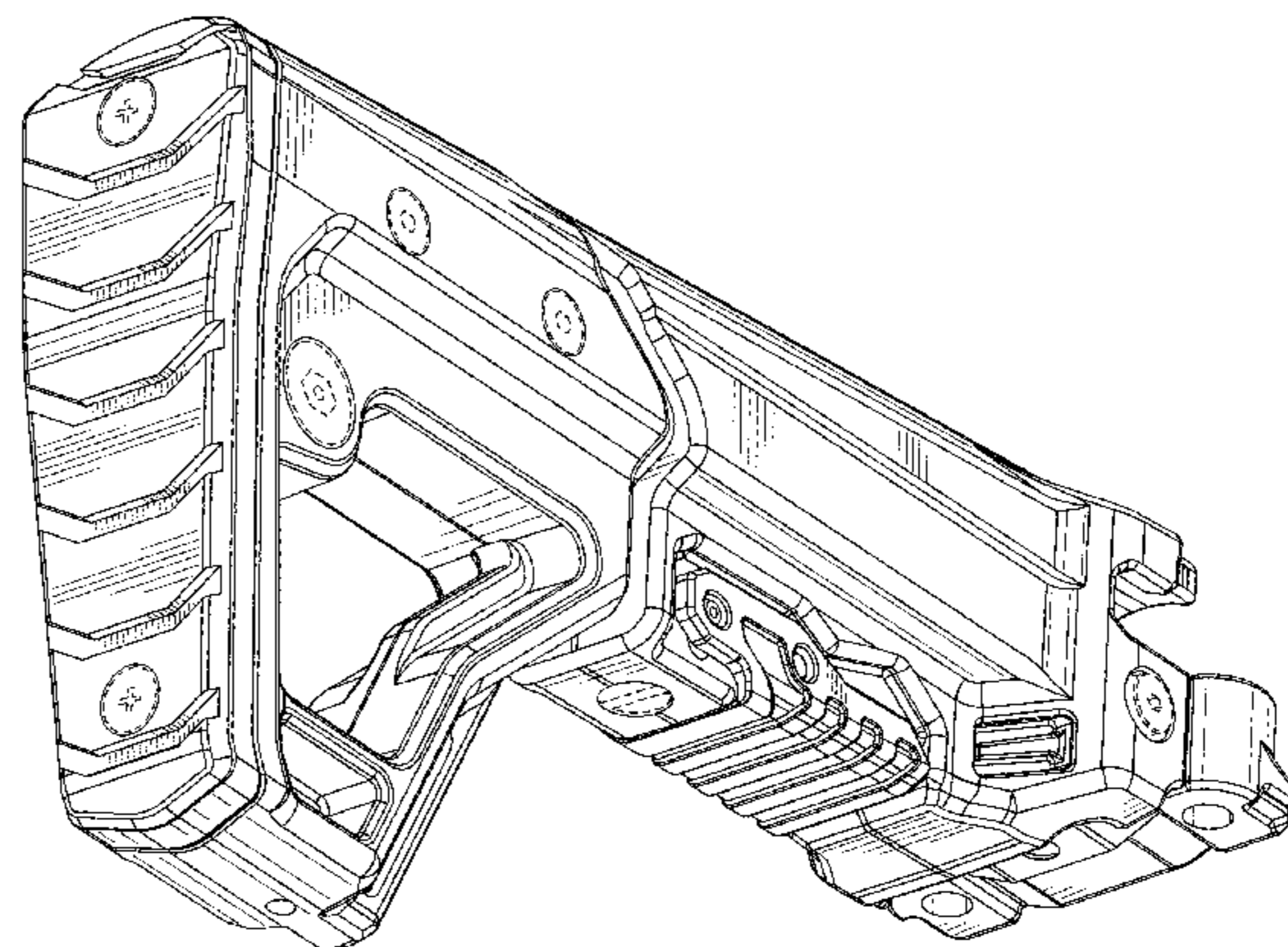
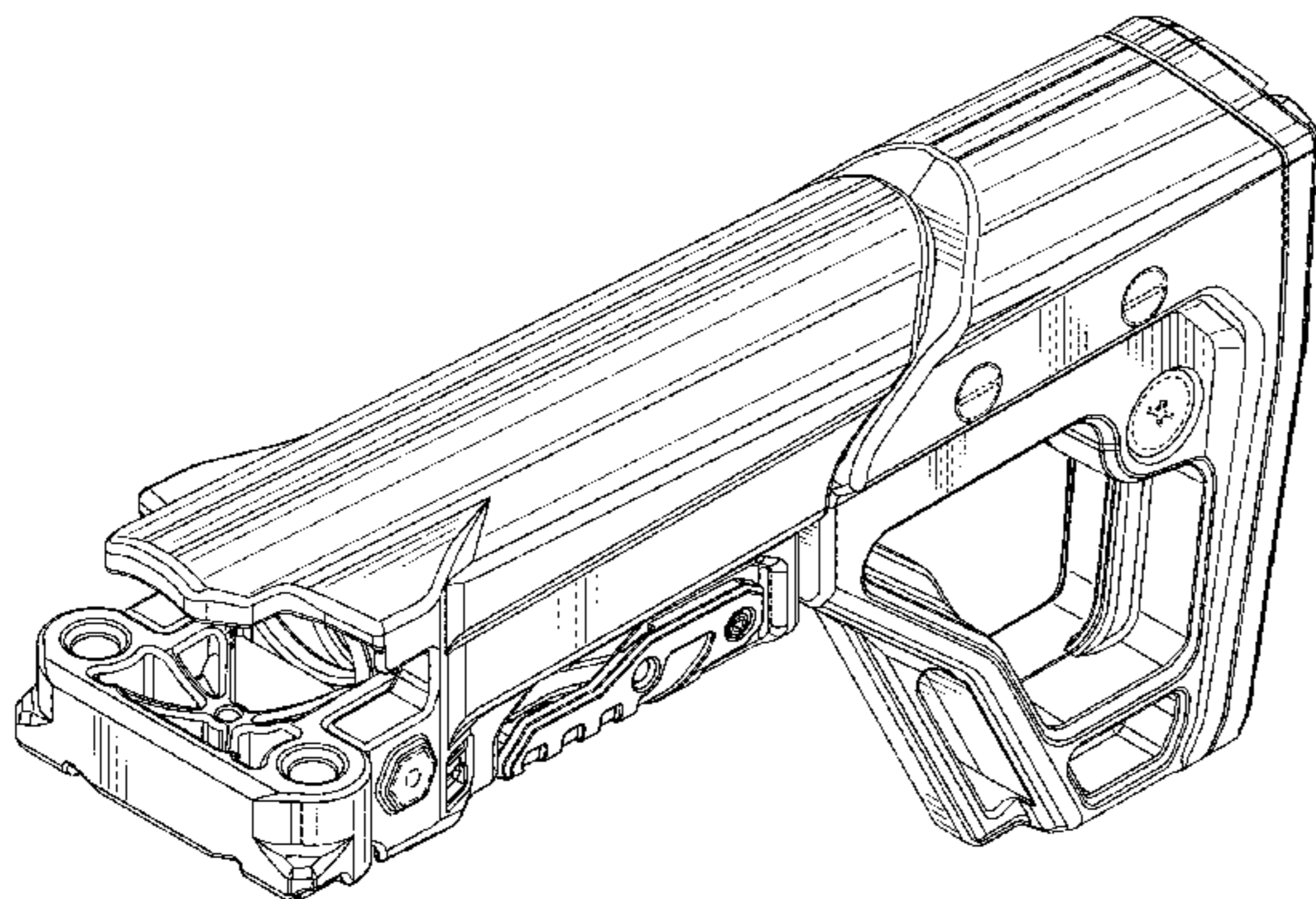
(22) Filed: **Dec. 8, 2016**

(51) **LOC (11) Cl.** **22-01**

(52) **U.S. Cl.**
USPC **D22/108**

(58) **Field of Classification Search**
USPC D22/100, 101, 103, 104, 105, 108-110;
D21/333, 401, 461, 567, 568, 570-575;
D14/100, 101, 418; D8/103, 108;
124/16, 26, 27, 28, 29, 54, 73-77;
222/78, 79; 42/51, 54, 57, 58, 71.01, 72,
42/73, 74, 75.03, 90; 446/23, 182, 192,
446/401, 403, 405-407, 473, 475
CPC F41C 23/00; F41C 23/02; F41C 23/04;
F41C 23/06; F41C 23/08; F41C 23/10;
F41C 23/12; F41C 23/14; F41C 23/16;
F41C 23/18; F41C 23/20; F41C 23/22;
F41C 7/02; F41C 7/04; F41C 7/06; F41C
7/11; F41C 7/12; F41C 27/00; F41C
27/06

See application file for complete search history.



US D828,476 S

7,200,966	B2	4/2007	Gooder	9,016,188	B2	4/2015	Larson et al.
7,243,454	B1	7/2007	Cahill	D728,727	S	5/2015	Barfoot et al.
D551,313	S	9/2007	Saur et al.	D728,728	S	5/2015	Barfoot et al.
7,337,573	B1	3/2008	DiGiovanna	D731,023	S	6/2015	Hirt et al.
RE40,216	E	4/2008	Swan	D733,247	S *	6/2015	Lewis D22/108
7,398,616	B1	7/2008	Weir	D736,338	S	8/2015	Fitzpatrick et al.
7,418,797	B1	9/2008	Cröse	D736,339	S	8/2015	Fitzpatrick et al.
7,464,495	B2	12/2008	Cahill	9,109,855	B1 *	8/2015	Kincel F41C 23/20
7,526,991	B2	5/2009	Steimke et al.	D738,981	S *	9/2015	Zusman D22/108
D600,307	S *	9/2009	Fitzpatrick D22/109	D739,220	S	9/2015	Lee
D603,013	S *	10/2009	Fitzpatrick F41C 23/04 D22/108	D745,627	S	12/2015	Kielsmeier et al.
7,673,412	B2	3/2010	Griffin	D748,216	S *	1/2016	Zusman D22/108
7,712,241	B2	5/2010	Teetzel et al.	9,228,795	B1	1/2016	Kielsmeier et al.
7,717,024	B2	5/2010	Steimke et al.	9,239,203	B2	1/2016	Jarboe et al.
7,762,018	B1 *	7/2010	Fitzpatrick F41A 11/02 42/73	9,279,640	B1 *	3/2016	Hurley F41C 23/22
7,802,392	B2	9/2010	Peterson et al.	D755,329	S *	5/2016	Kielsmeier D22/108
D626,618	S	11/2010	Peterson et al.	D760,326	S *	6/2016	Chu D21/573
7,823,313	B2	11/2010	Faifer	D771,765	S *	11/2016	Ewer D22/108
7,827,721	B2	11/2010	Griffin	9,488,435	B1 *	11/2016	Roberts F41C 23/14
D629,062	S	12/2010	Peterson et al.	D779,018	S *	2/2017	Zayatz D22/108
7,849,626	B2	12/2010	Fluhr	9,568,261	B1 *	2/2017	Hall F41A 3/66
7,866,078	B1	1/2011	Beretta	D792,936	S *	7/2017	Eitan D22/108
D636,833	S *	4/2011	Mayberry D22/108	D792,937	S *	7/2017	Eitan D22/108
D636,834	S	4/2011	Mayberry et al.	D795,985	S *	8/2017	Frederickson D22/108
7,930,849	B2	4/2011	Abraham et al.	2006/0005445	A1	1/2006	Elder
7,941,958	B1	5/2011	Zedrosser	2006/0242880	A1	11/2006	Griffin
7,966,761	B1	6/2011	Kuczynko et al.	2006/0248686	A1	11/2006	Cook
D643,085	S	8/2011	Peterson et al.	2007/0006508	A1	1/2007	Baker et al.
7,987,623	B1	8/2011	Moody et al.	2007/0199224	A1	8/2007	Bentley
8,006,425	B2	8/2011	Burt et al.	2007/0271832	A1	11/2007	Griffin
D645,532	S	9/2011	Peterson et al.	2008/0028662	A1	2/2008	Abraham et al.
D645,533	S	9/2011	Peterson et al.	2008/0236016	A1 *	10/2008	Fitzpatrick F41C 23/14 42/71.01
8,091,265	B1	1/2012	Teetzel et al.	2009/0139128	A1	6/2009	Fluhr
D661,366	S *	6/2012	Zusman F41C 23/04 D22/108	2009/0229160	A1	9/2009	Elliott et al.
8,245,429	B2	8/2012	Kuczynko et al.	2009/0277066	A1	11/2009	Burt et al.
D668,311	S *	10/2012	Rogers F41C 23/04 D22/108	2009/0288324	A1 *	11/2009	Peterson F41A 11/02 42/75.03
8,296,986	B1	10/2012	Cook et al.	2010/0212206	A1	8/2010	Griffin
8,312,661	B2	11/2012	Ludlow	2010/0229444	A1	9/2010	Faifer
8,341,866	B1	1/2013	Gaddini et al.	2010/0229450	A1	9/2010	Becker et al.
8,393,104	B1	3/2013	Moody et al.	2010/0242334	A1 *	9/2010	Kincel F41C 23/04 42/74
8,397,415	B2	3/2013	Laney et al.	2010/0275489	A1	11/2010	Cabahug et al.
8,397,416	B2	3/2013	Laney et al.	2010/0307042	A1	12/2010	Jarboe et al.
8,402,683	B2	3/2013	Cabahug et al.	2011/0030258	A1	2/2011	Fistikchi et al.
8,407,925	B2	4/2013	Fesas	2011/0099874	A1	5/2011	Zedrosser
8,429,844	B2	4/2013	Dextraze et al.	2011/0131857	A1	6/2011	Kuczynko et al.
8,448,366	B2	5/2013	Faifer	2011/0192067	A1	8/2011	Troy
8,453,365	B1	6/2013	Ballard	2012/0011758	A1	1/2012	Burt
D688,768	S *	8/2013	Fitzpatrick D22/108	2012/0047786	A1	3/2012	Dextraze et al.
8,522,465	B2	9/2013	Jarboe et al.	2012/0073177	A1	3/2012	Laney et al.
D692,087	S *	10/2013	Fitzpatrick D22/108	2012/0079752	A1	4/2012	Peterson et al.
8,601,736	B2	12/2013	Andersson	2012/0131829	A1	5/2012	Fistikchi et al.
8,631,601	B2	1/2014	Langevin et al.	2012/0131838	A1	5/2012	Edge et al.
8,640,373	B2	2/2014	Burt	2012/0137556	A1	6/2012	Laney et al.
8,656,622	B2	2/2014	Peterson et al.	2012/0137561	A1	6/2012	Ludlow
8,656,623	B1	2/2014	Chvala	2012/0137562	A1	6/2012	Langevin et al.
D704,294	S *	5/2014	Jarboe D22/108	2012/0144712	A1	6/2012	Rostocil
8,756,849	B2	6/2014	Troy	2012/0174455	A1	7/2012	Edelman et al.
8,763,295	B2	7/2014	Trimble	2012/0174456	A1	7/2012	DePierro et al.
8,769,855	B2	7/2014	Law	2012/0180360	A1	7/2012	Jones
D710,477	S *	8/2014	Kauranen D22/108	2013/0014418	A1	1/2013	Dextraze et al.
8,794,121	B2	8/2014	Steimke et al.	2013/0326924	A1	2/2013	Jarboe et al.
8,800,190	B1	8/2014	Wilde	2014/0075815	A1	3/2014	Jarboe
8,820,212	B2	9/2014	Rostocil	2014/0075816	A1	3/2014	Larson et al.
8,844,185	B2	9/2014	Jarboe	2014/0196345	A1	7/2014	Grimshaw et al.
8,850,735	B2	10/2014	Kenney	2014/0196346	A1	7/2014	Grimshaw et al.
8,898,948	B1	12/2014	Gaddini et al.	2014/0360074	A1	12/2014	Jarboe
8,915,005	B2	12/2014	Grimshaw et al.	2015/0075051	A1	3/2015	Law
8,919,238	B2	12/2014	Steimke et al.	2015/0113848	A1	4/2015	Monveldt et al.
D722,357	S *	2/2015	Keller D22/108	2015/0211820	A1	7/2015	McRee
D724,691	S	3/2015	Barfoot et al.	2015/0233656	A1	8/2015	Karagias
8,984,789	B2	3/2015	Adcock, Jr.	2015/0316346	A1	11/2015	Brandt
8,984,791	B1	3/2015	Leslie	2015/0345881	A1	12/2015	Irvin
8,985,007	B2	3/2015	Larson et al.	2015/0345895	A1	12/2015	Young
8,991,088	B1	3/2015	Young	2016/0018184	A1	1/2016	Park
D728,057	S *	4/2015	Daniel D22/108				

2016/0025448 A1 1/2016 Kincel
 2016/0116250 A1* 4/2016 Mather F41C 23/04
 42/73
 2017/0122698 A1* 5/2017 Chu F41C 23/20

FOREIGN PATENT DOCUMENTS

CA 2715748 A1 3/2012
 CN 204268966 4/2015
 GB 168890 A 6/1922
 GB 561988 A 6/1944
 GB 581820 A 10/1946
 GB 754040 A 8/1956
 GB 937941 A 9/1963
 JP 2008008525 1/2008
 JP 2010002086 1/2010
 WO WO2009046456 A1 4/2009
 WO WO2015116264 A2 8/2015

OTHER PUBLICATIONS

Knox Axiom Ultra-Light Rifle Stock, Blackhawk.com, [online], [site visited Nov. 17, 2017]. <URL: <http://blackhawk.com/products/long-gun-accessories/stocks/rifle/knox-axiom-ultra-light-rifle-stock>> (Year: 2017).*

Knox Axiom A-Frame Carbine Stock, Blackhawk.com, [online], [site visited Nov. 17, 2017]. <URL: <http://blackhawk.com/products/long-gun-accessories/stocks/rifle/knox-axiom-a-frame-carbine-stock>> (Year: 2017).*

MSR 15 Patrol, SavageArms.com, [online], [site visited Nov. 17, 2017]. <URL: <http://www.savagearms.com/firearms/model/msr15patrol>> (Year: 2017).*

Magpul ACS-L Carbine Stock MIL-SPEC Model-Flat Dark Earth, BravoCompanyUSA.com, [online], [site visited Nov. 17, 2017].

<URL: <https://www.bravocompanyusa.com/Magpul-ACS-L-Carbine-Stock-Mil-Spec-Model-FDE-p/mag378-fde.htm>> (Year: 2017).*

* cited by examiner

Primary Examiner — T. Chase Nelson
Assistant Examiner — Jonathan J. Han
 (74) *Attorney, Agent, or Firm* — Christensen, Fonder, Dardi & Herbert PLLC

(57) **CLAIM**

We claim the ornamental design for the firearm stock, as shown and described.

DESCRIPTION

FIG. 1 is a top, front perspective view of a firearm stock according to an embodiment of the disclosure.
 FIG. 2 is a rear, bottom perspective view of the firearm stock.
 FIG. 3 is a left side view of the firearm stock.
 FIG. 4 is a right side view of the firearm stock.
 FIG. 5 is a top view of the firearm stock.
 FIG. 6 is a front view of the firearm stock.
 FIG. 7 is a rear view of the firearm stock; and,
 FIG. 8 is a bottom view of the firearm stock.
 The portions shown in dashed lines form no part of the claimed design.

1 Claim, 8 Drawing Sheets

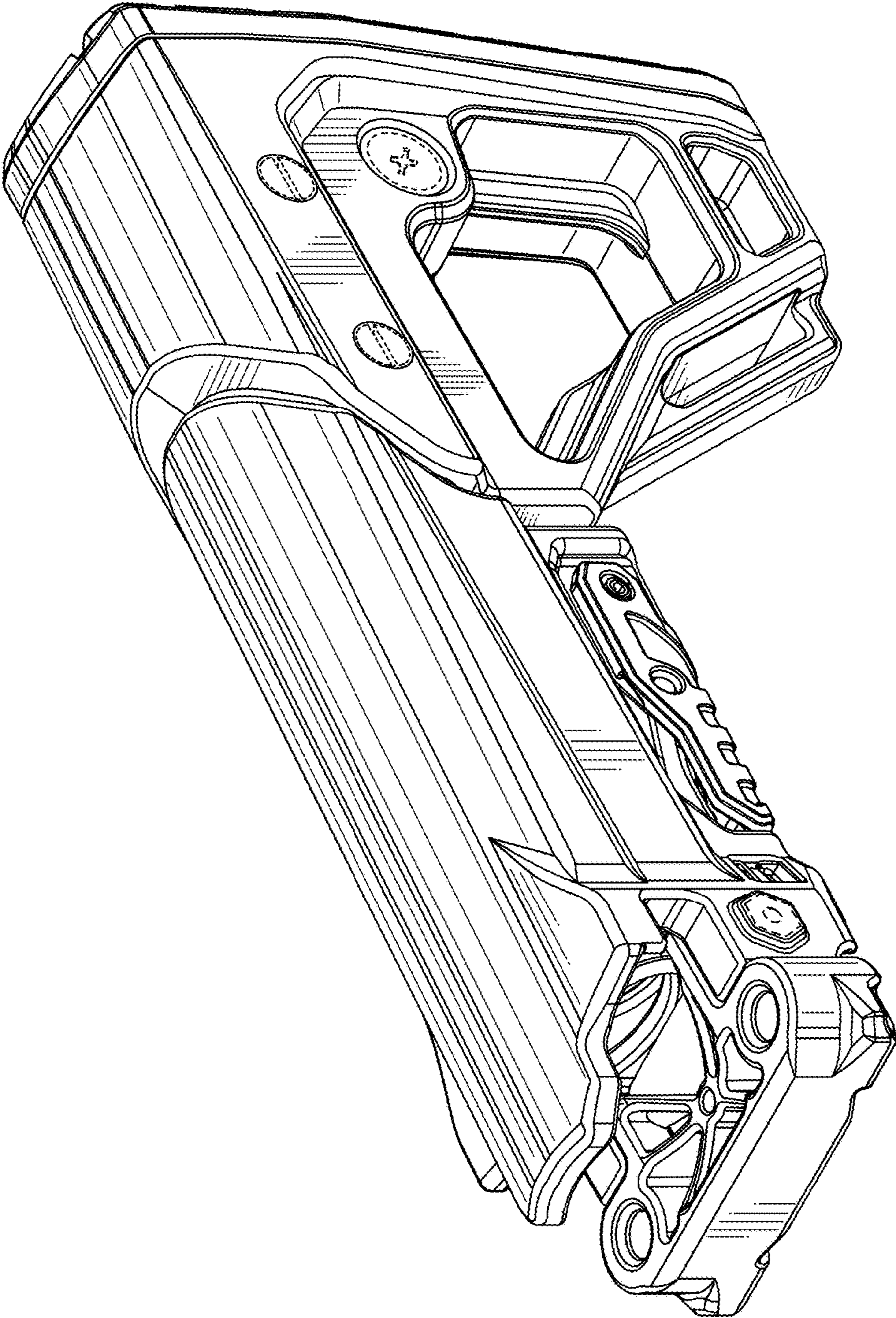


Fig. 1

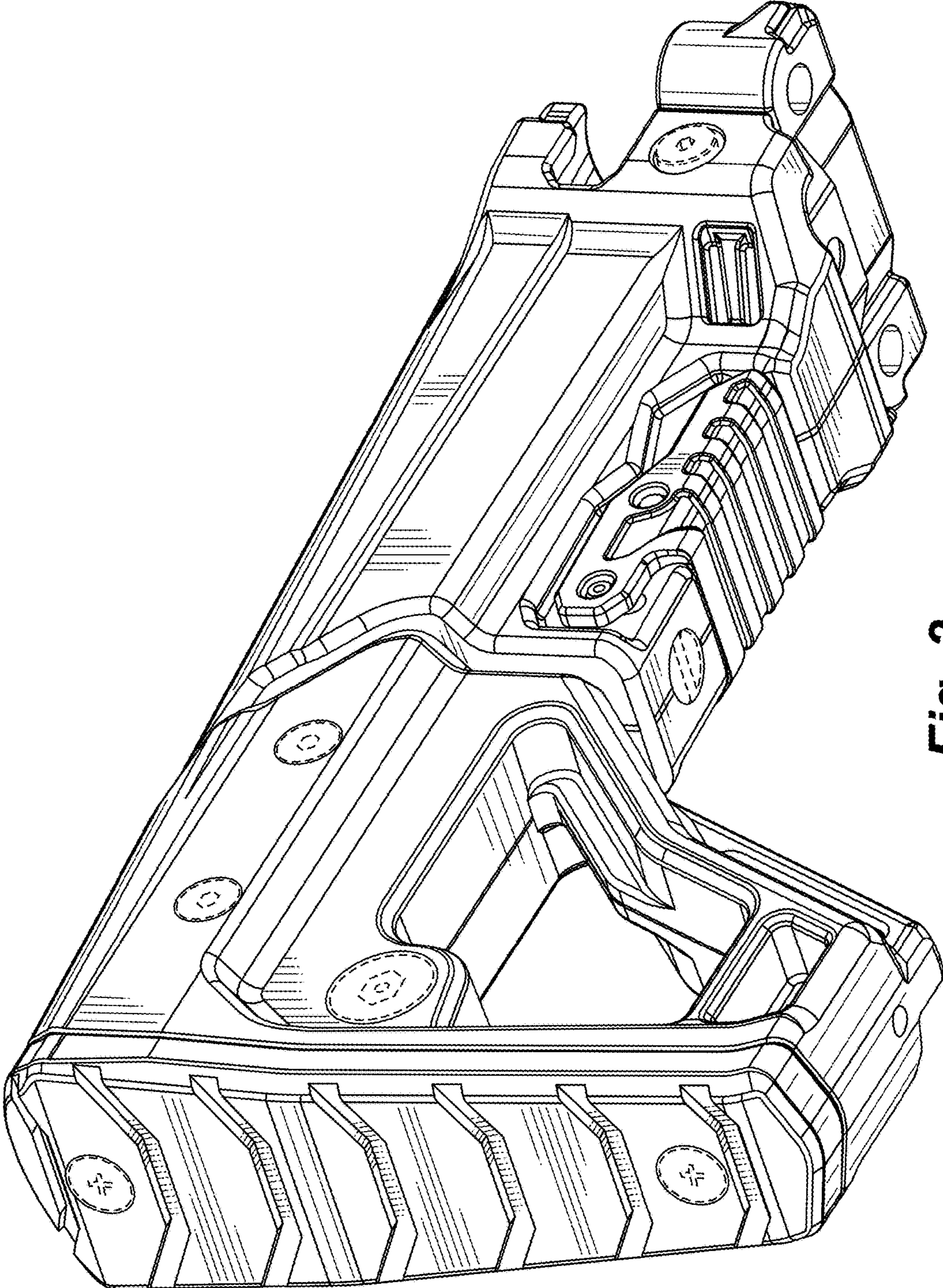


Fig. 2

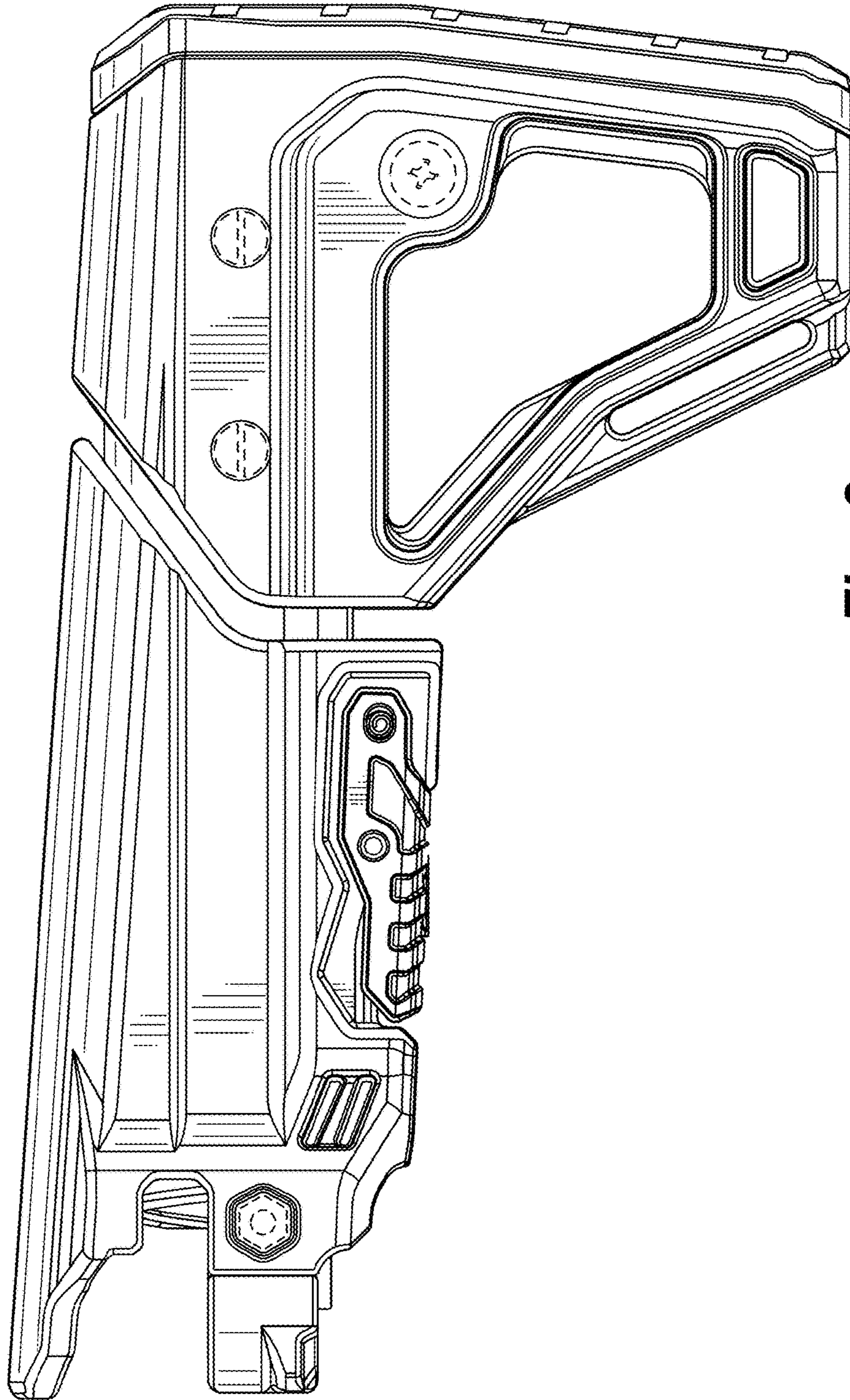


Fig. 3

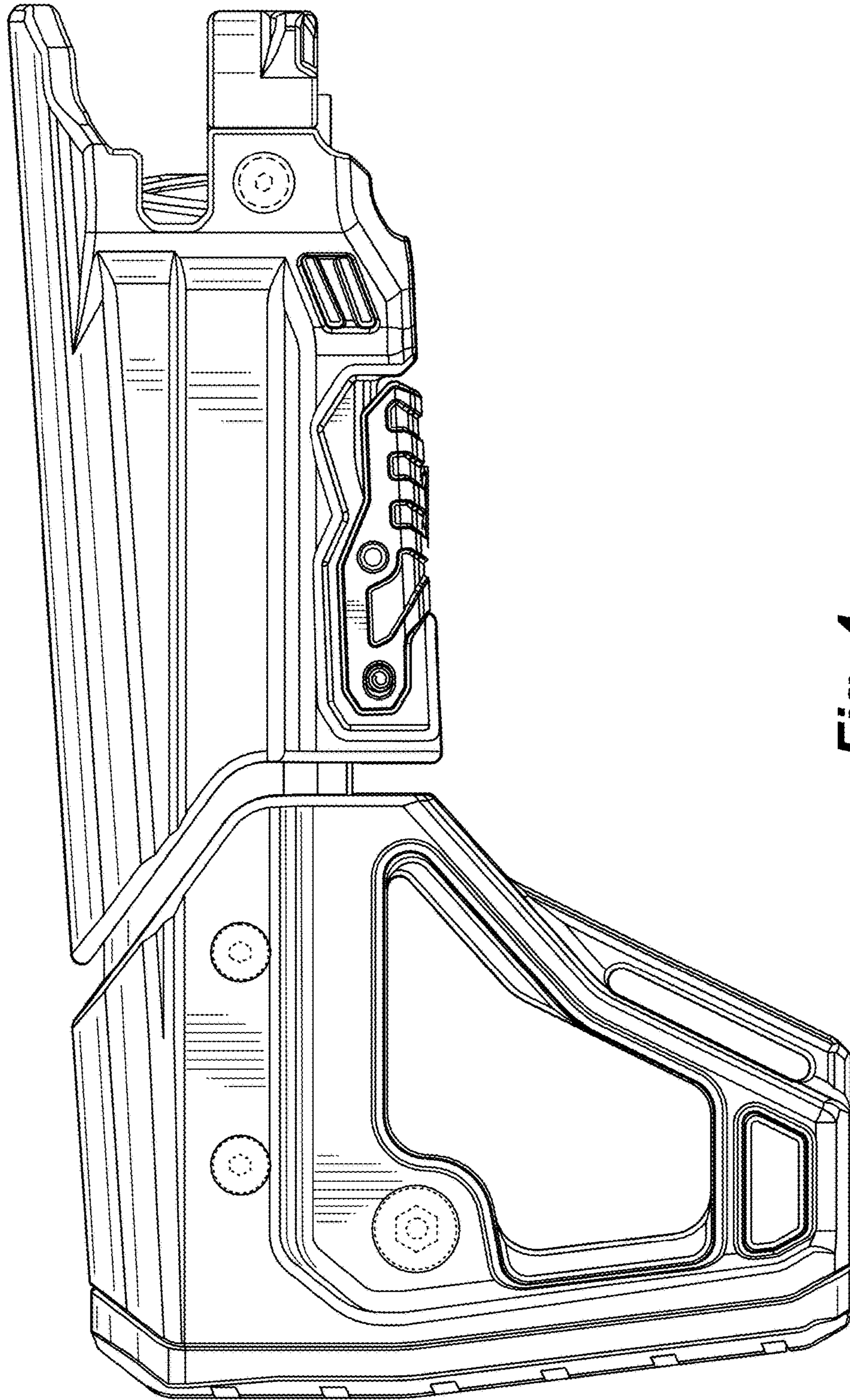


Fig. 4

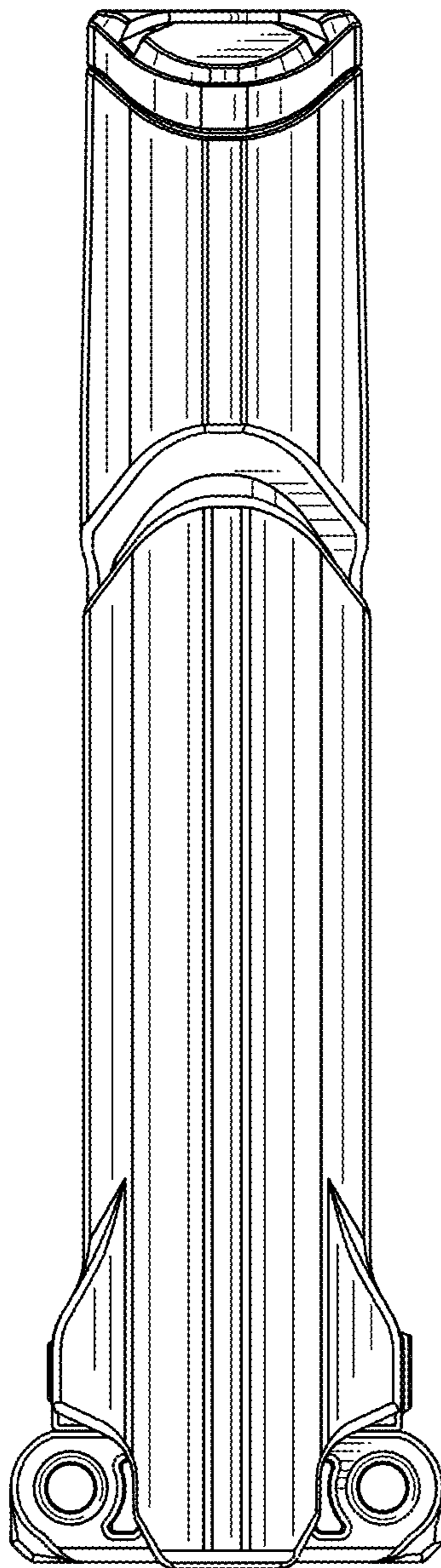


Fig. 5

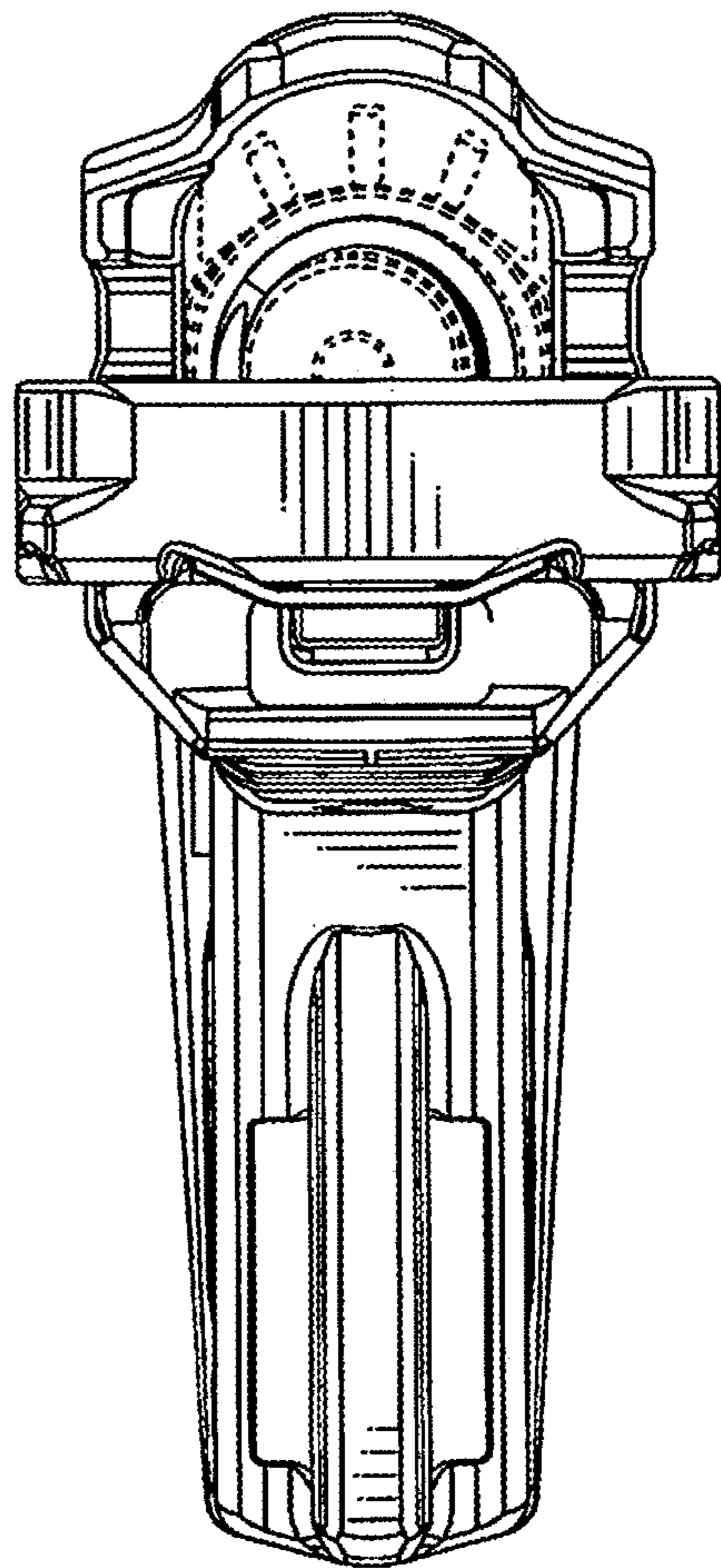


Fig. 6

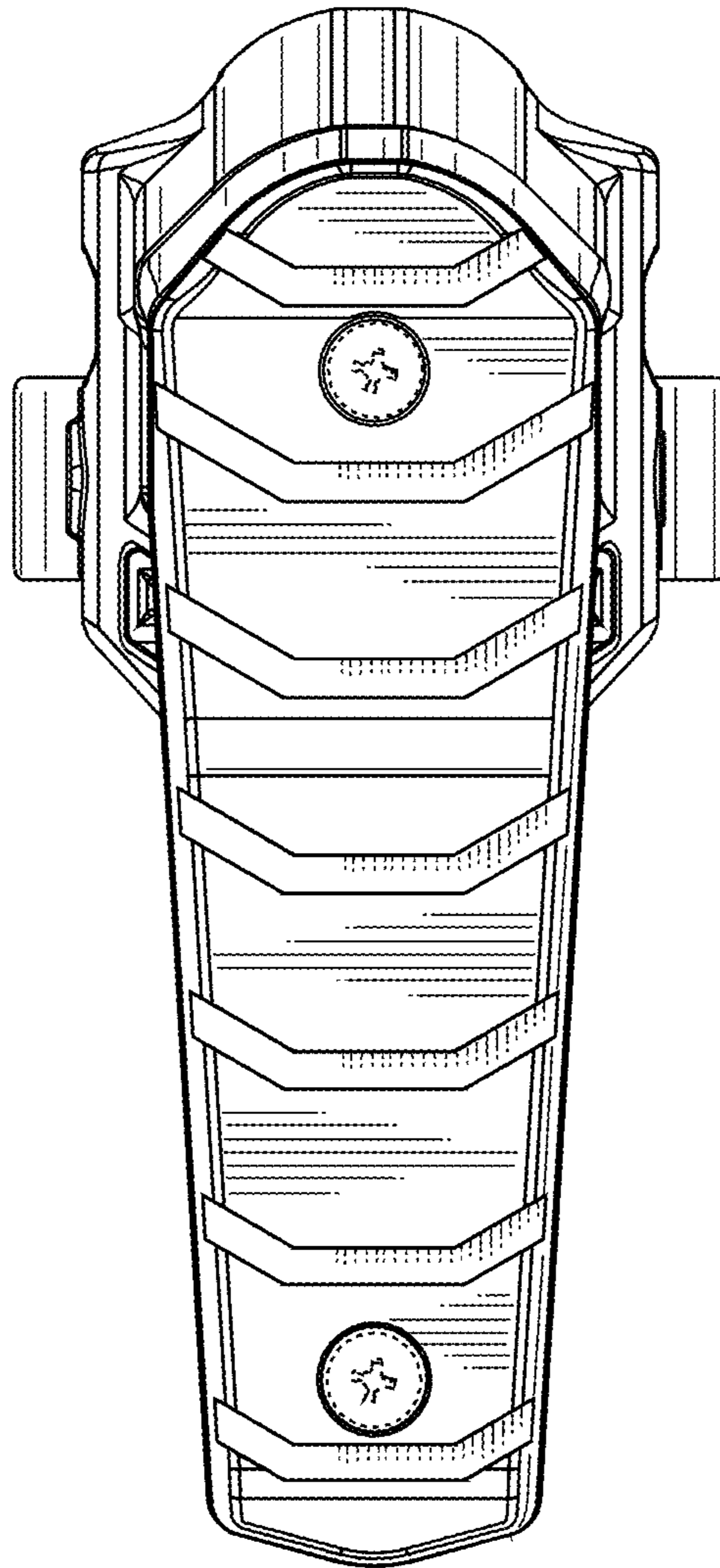


Fig. 7

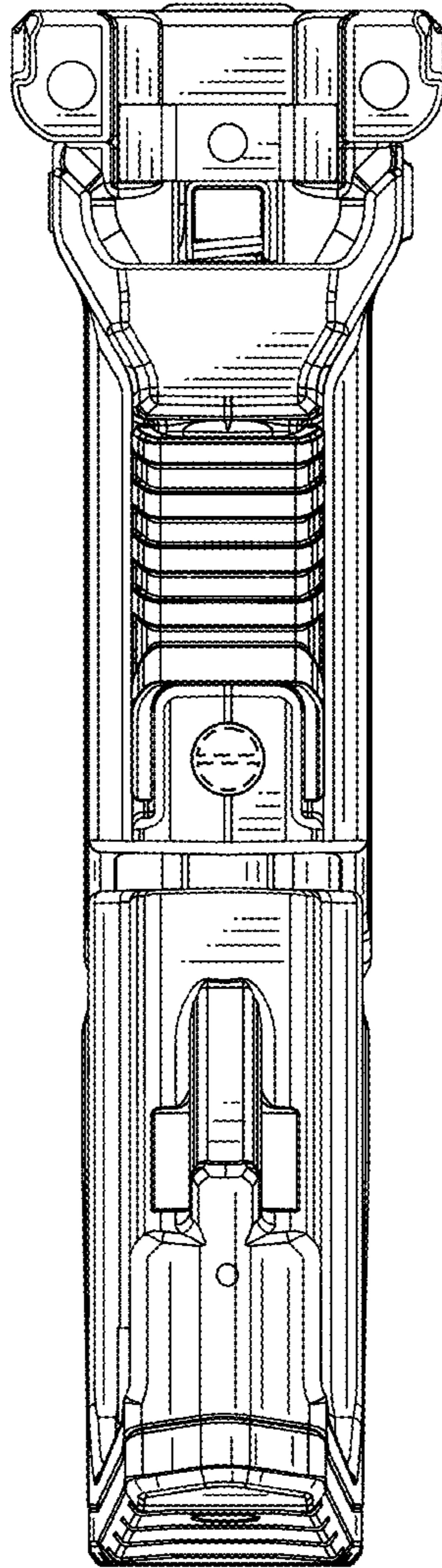


Fig. 8