



US00D828475S

(12) **United States Design Patent**  
**Potter**

(10) **Patent No.:** **US D828,475 S**

(45) **Date of Patent:** **\*\* Sep. 11, 2018**

(54) **MUZZLE BRAKE FOR A FIREARM**

(71) Applicant: **Sturm, Ruger & Company, Inc.**,  
Southport, CT (US)

(72) Inventor: **Dwight Potter**, Chino Valley, AZ (US)

(73) Assignee: **STURM, RUGER & COMPANY, INC.**

(\*\*) Term: **15 Years**

(21) Appl. No.: **29/585,150**

(22) Filed: **Nov. 21, 2016**

(51) **LOC (11) Cl.** ..... **22-01**

(52) **U.S. Cl.**  
USPC ..... **D22/108**

(58) **Field of Classification Search**  
USPC ..... D22/108, 109; D21/572-575; 89/14.05,  
89/14.1-14.8, 40.06, 41.19, 37.04, 33.04,  
89/191.01, 200-204, 177, 223;  
42/1.01-1.07, 2, 8-26, 34, 36, 37, 44,  
42/63-64, 75.01-75.04, 76.01,  
42/76.02-76.1, DIG. 1; 433/159, 173;  
124/66, 67, 72, 743; D5/1, 2, 3;  
D27/163; D8/60  
CPC ..... F41A 21/02; F41A 21/08; F41A 21/48;  
F41A 21/481; F41A 21/482; F41A  
21/484; F41A 21/485; F41A 21/487;  
F41A 21/488; F41A 21/34; F41A 21/325;  
F41A 21/32; F41A 21/28; F41A 35/02;  
F41C 23/16; F41G 11/003

See application file for complete search history.

(56) **References Cited**

**U.S. PATENT DOCUMENTS**

1,487,312 A \* 3/1924 Bull ..... F41A 21/34  
123/198 R  
D285,238 S \* 8/1986 Cellini ..... 89/14.3

4,945,812 A \* 8/1990 Mazzanti ..... F41A 21/36  
89/14.3  
5,333,529 A \* 8/1994 Brockman ..... F41A 21/38  
42/79  
5,425,298 A \* 6/1995 Coburn ..... F41A 21/38  
89/14.3

(Continued)

**OTHER PUBLICATIONS**

Muzzle Brake .308 Caliber 5/8-24, ShopRuger.com, [online], [site visited Dec. 14, 2017]. <URL: [http://shopruger.com/Muzzle-Brake-308-Caliber-5\\_8-24/productinfo/90602/](http://shopruger.com/Muzzle-Brake-308-Caliber-5_8-24/productinfo/90602/)> (Year: 2017).\*

(Continued)

*Primary Examiner* — T. Chase Nelson

*Assistant Examiner* — Jonathan J Han

(74) *Attorney, Agent, or Firm* — The Belles Group, P.C.

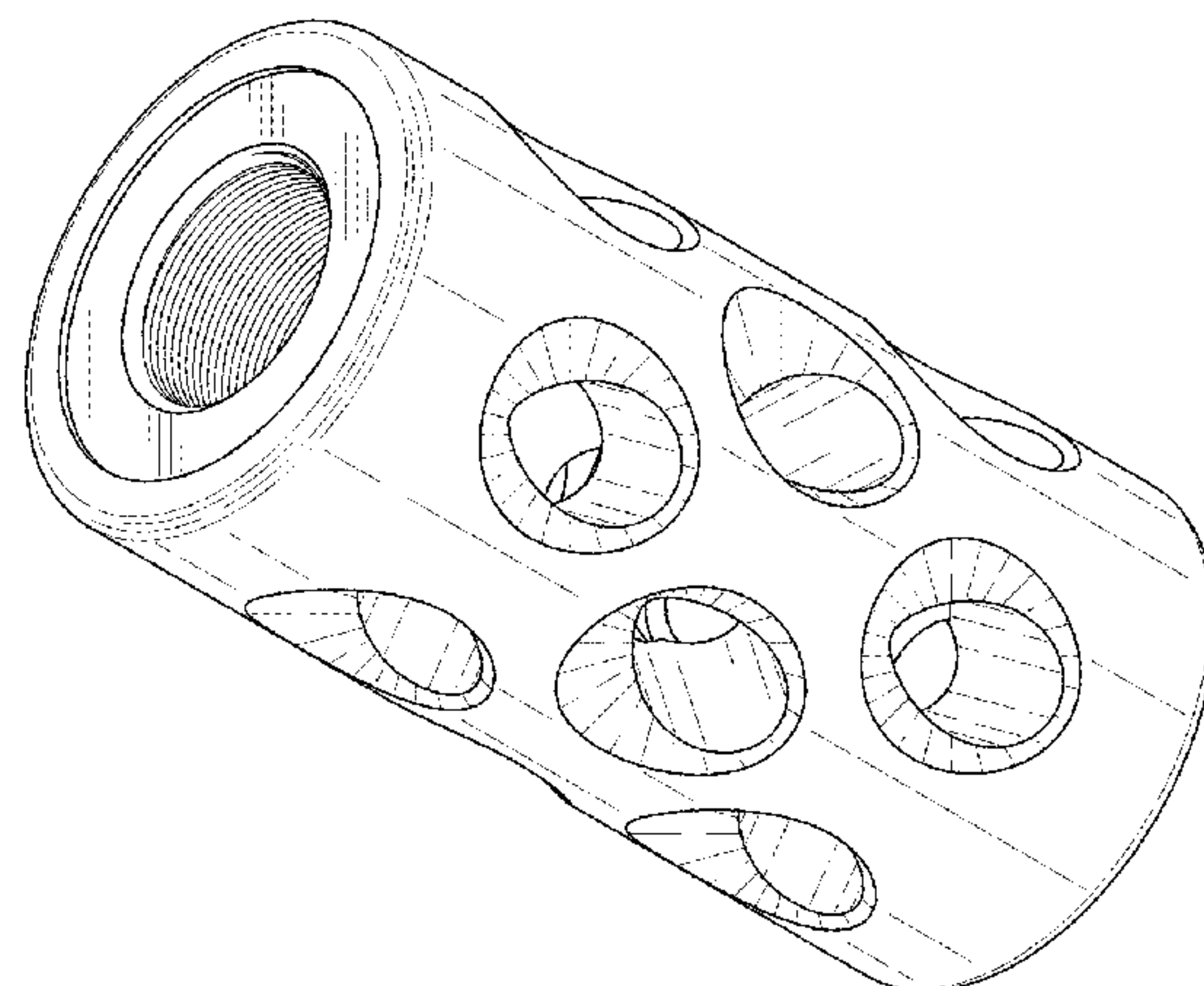
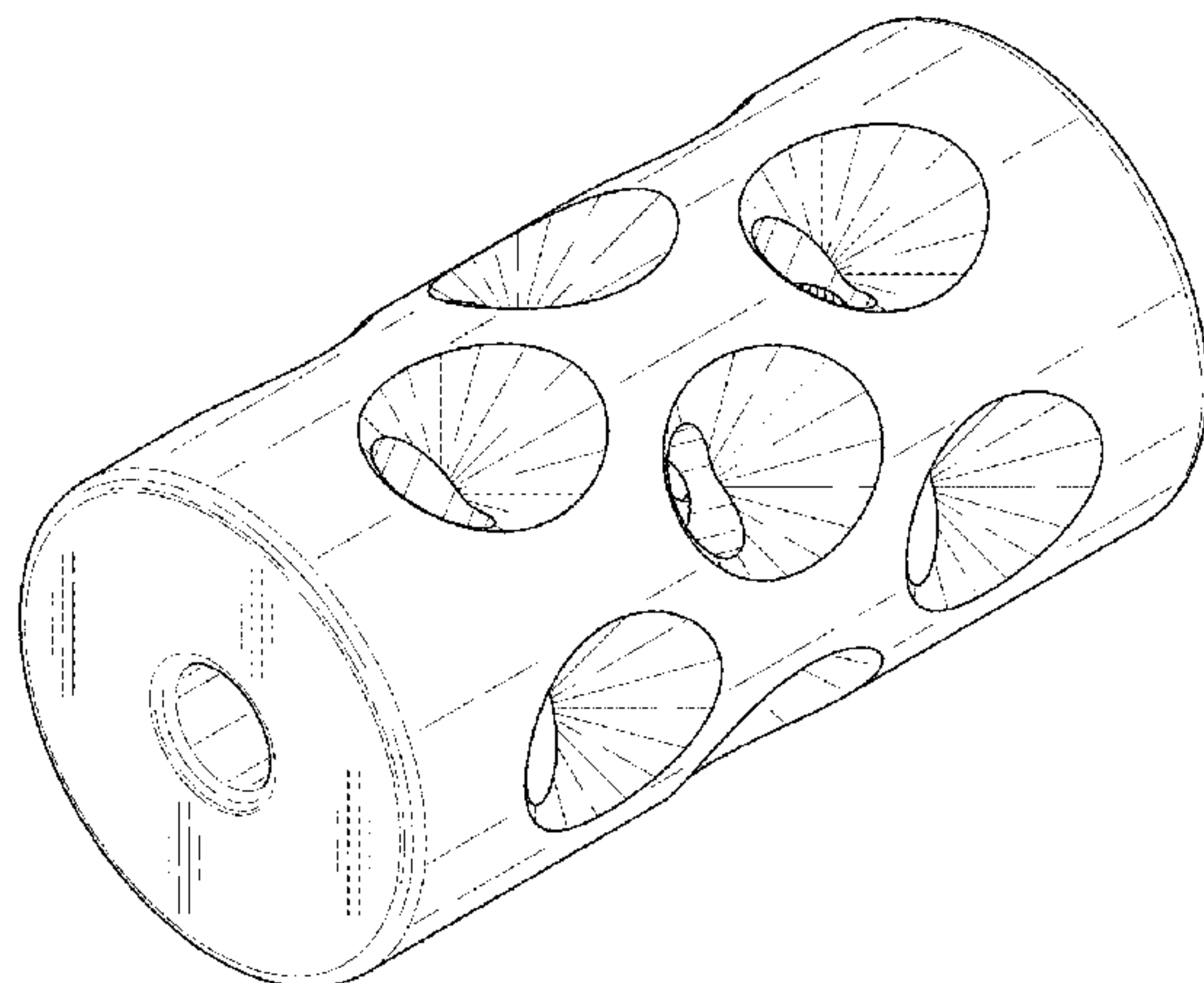
(57) **CLAIM**

The ornamental design of a muzzle brake for a firearm, as shown a and described.

**DESCRIPTION**

FIG. 1 is a front perspective view of a muzzle brake for a firearm according to the new design;  
FIG. 2 is a rear perspective view thereof;  
FIG. 3 is a front end view thereof;  
FIG. 4 is a rear end view thereof;  
FIG. 5 is a left side view thereof;  
FIG. 6 is a right side view thereof;  
FIG. 7 is a top plan view thereof;  
FIG. 8 is a bottom plan view thereof; and,  
FIG. 9 is a partial cross sectional view taken from FIG. 6 showing the profile of one of the holes and a depression in the surface associated with the hole.  
All broken lines shown in the drawings represent interior portions of the muzzle brake for the purpose of illustrating environmental structure that forms no part of the claimed design.

**1 Claim, 5 Drawing Sheets**



(56)

References Cited

U.S. PATENT DOCUMENTS

5,698,810 A \* 12/1997 Rose ..... F41A 21/32  
42/97  
5,814,757 A \* 9/1998 Buss ..... F41A 21/36  
89/14.3  
6,126,688 A \* 10/2000 McDonnell ..... A61F 2/446  
623/17.16  
D435,884 S \* 1/2001 Dehaan ..... D21/572  
D461,167 S \* 8/2002 Montena ..... D13/154  
6,516,550 B1 \* 2/2003 Schnyder ..... F41A 35/04  
42/96  
6,820,530 B2 \* 11/2004 Vais ..... F41A 21/36  
89/14.3  
D623,717 S \* 9/2010 Saur ..... D22/108  
7,789,009 B1 \* 9/2010 Brittingham ..... F41A 21/325  
181/223  
8,292,025 B1 \* 10/2012 Woodell ..... F41A 21/30  
181/223  
8,342,071 B2 \* 1/2013 Hortobagyi ..... F41A 21/34  
89/14.2  
8,387,299 B1 \* 3/2013 Brittingham ..... F41A 21/30  
42/90  
D694,355 S \* 11/2013 Hormann ..... D22/108  
9,134,084 B1 \* 9/2015 Harrison ..... F41A 21/36  
9,417,024 B2 \* 8/2016 Miller, III ..... F41A 21/36  
9,441,901 B1 \* 9/2016 Harrison ..... F41A 21/36  
D773,587 S \* 12/2016 Underwood ..... D22/108  
9,683,801 B2 \* 6/2017 Myers ..... F41A 21/30  
9,829,264 B1 \* 11/2017 Berglund ..... F41A 21/30  
2003/0106416 A1 \* 6/2003 Vais ..... F41A 21/36  
89/14.3

2009/0133572 A1 \* 5/2009 Izraeli ..... F41G 1/54  
89/41.05  
2012/0117847 A1 \* 5/2012 Evans-Hendrick ..... F41A 5/02  
42/90  
2013/0291713 A1 \* 11/2013 Zheng ..... F41A 5/20  
89/191.02  
2014/0165438 A1 \* 6/2014 Wilkinson ..... F41C 27/22  
42/1.06  
2014/0190345 A1 \* 7/2014 Daniel ..... F41A 21/325  
89/193  
2015/0136519 A1 \* 5/2015 Moore ..... F41A 21/30  
181/223  
2016/0076844 A1 \* 3/2016 Miller, III ..... F41A 21/30  
89/14.3  
2016/0091269 A1 \* 3/2016 Miller, III ..... F41A 21/36  
89/14.3

OTHER PUBLICATIONS

.450 Bushmaster Muzzle Brake, ShopRuger.com, [online], [site visited Dec. 14, 2017]. <URL: <http://shopruger.com/450-Bushmaster-Muzzle-Brake/productinfo/90641/>> (Year: 2017).\*

JWH Custom Forward Blow Black Steel Threaded Muzzle Brake for Ruger 10/22, JWHcustom.com, [online], [site visited Dec. 14, 2017]. <URL: <https://www.jwhcustom.com/product/jwh-custom-forward-black-steel-blow-threaded-muzzle-brake-for-ruger-1022/>> Year: 2017).\*

KIDD .22 Muzzle Brake, KIDDinnovativeDesign.com, [online], [site visited Dec. 14, 2017]. <URL: [http://www.kiddinnovativedesign.com/KIDD-22-Muzzle-Brake\\_p\\_127.html](http://www.kiddinnovativedesign.com/KIDD-22-Muzzle-Brake_p_127.html)> (Year: 2017).\*

\* cited by examiner



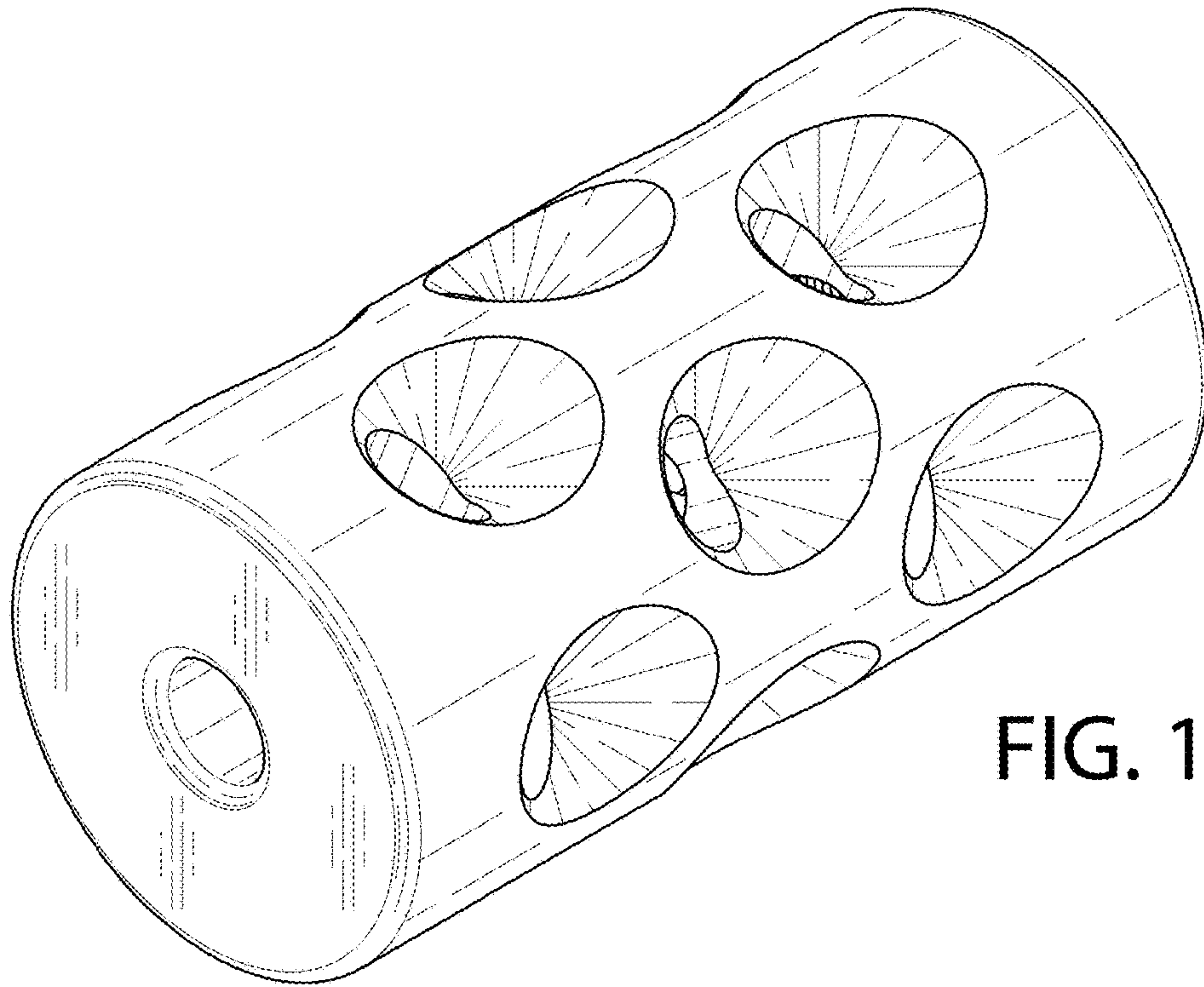


FIG. 1

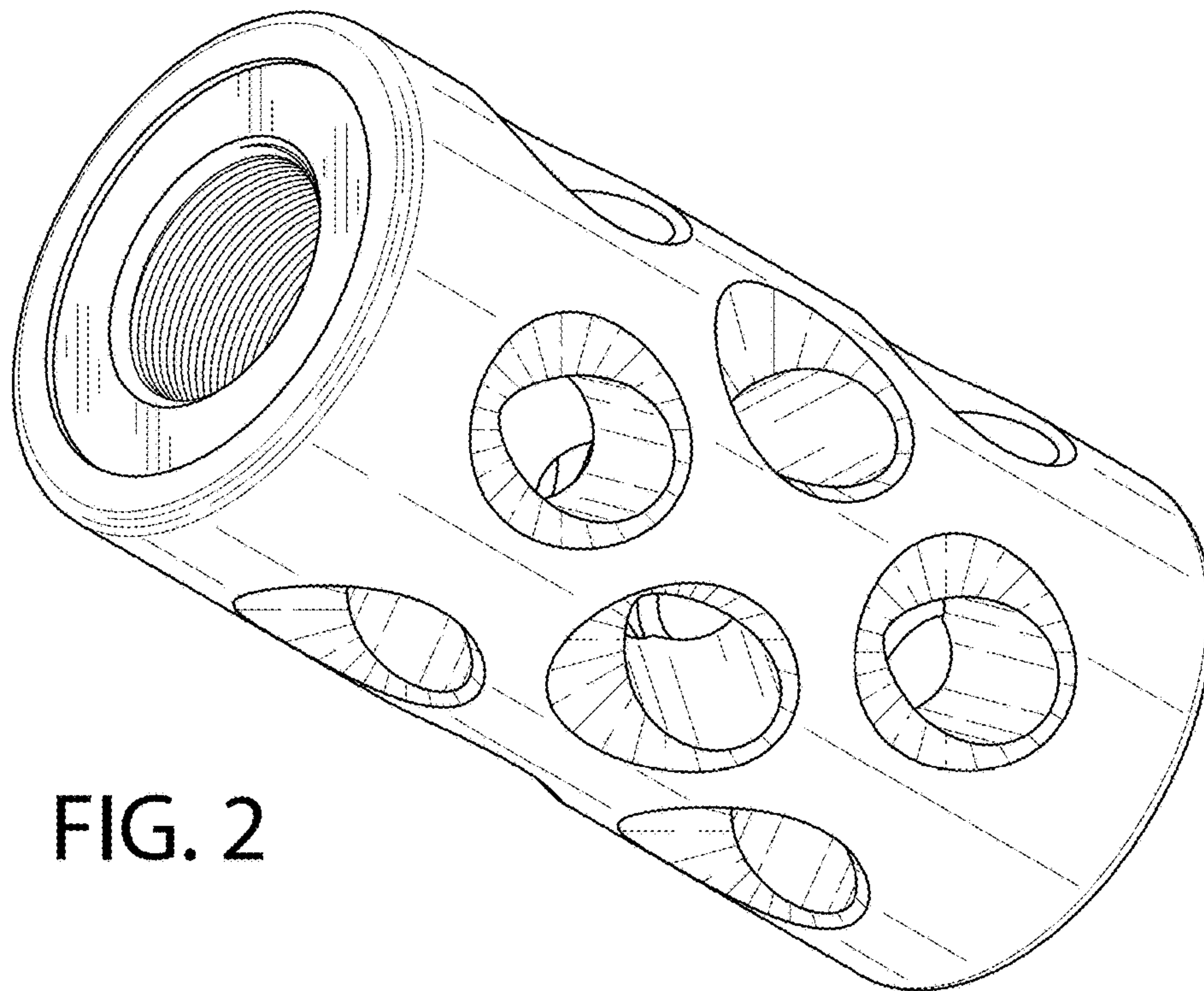


FIG. 2

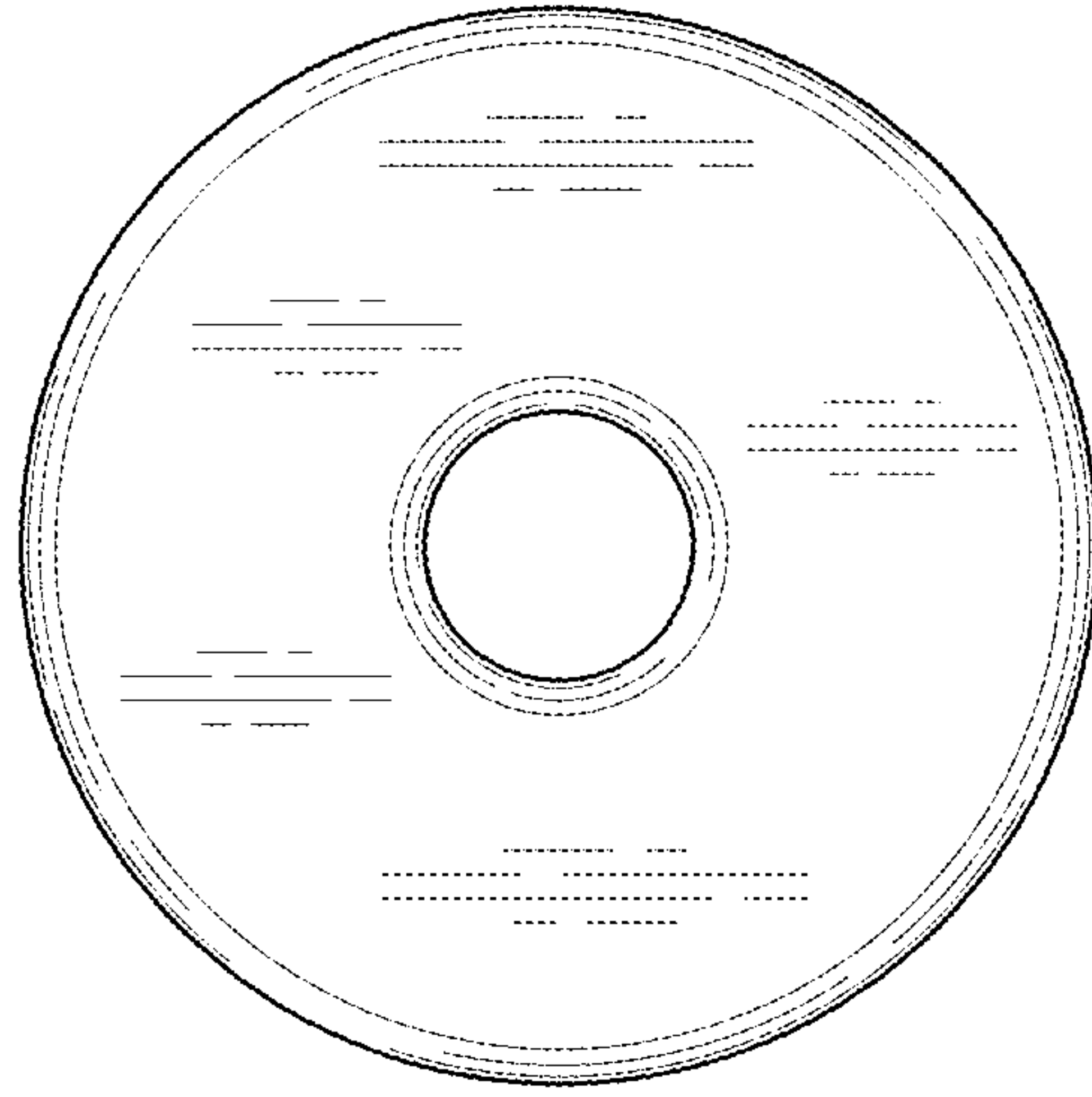


FIG. 3

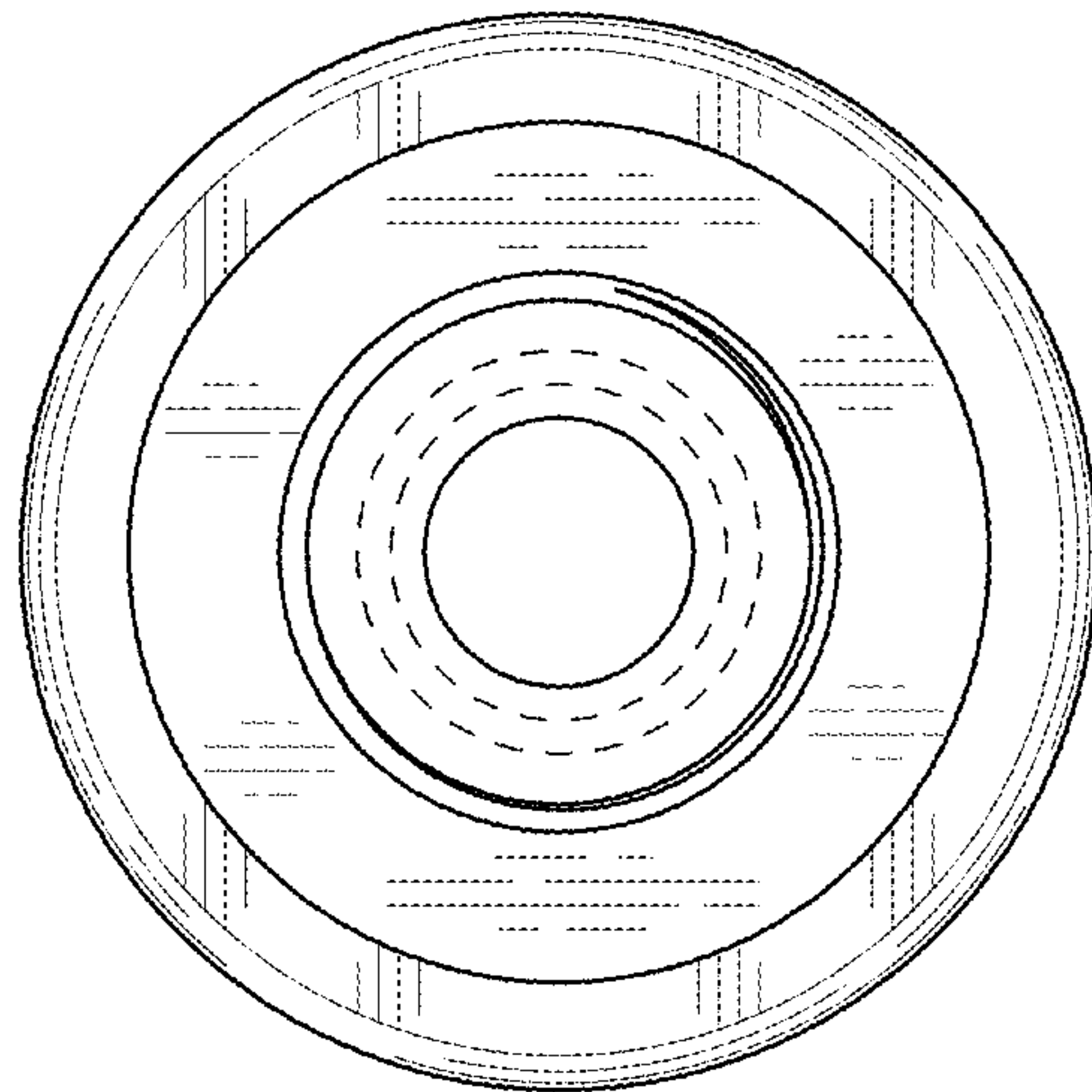


FIG. 4

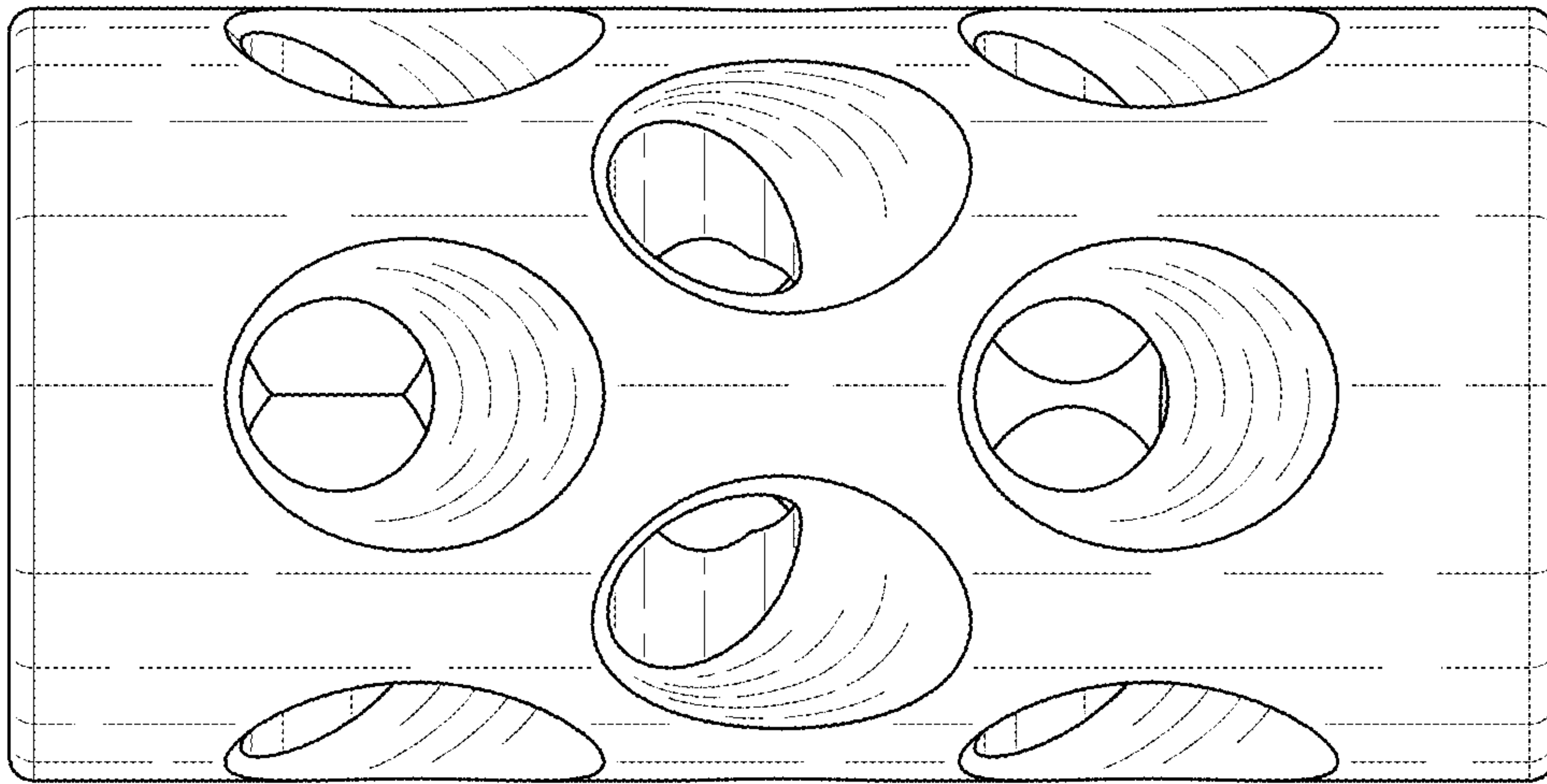


FIG. 5

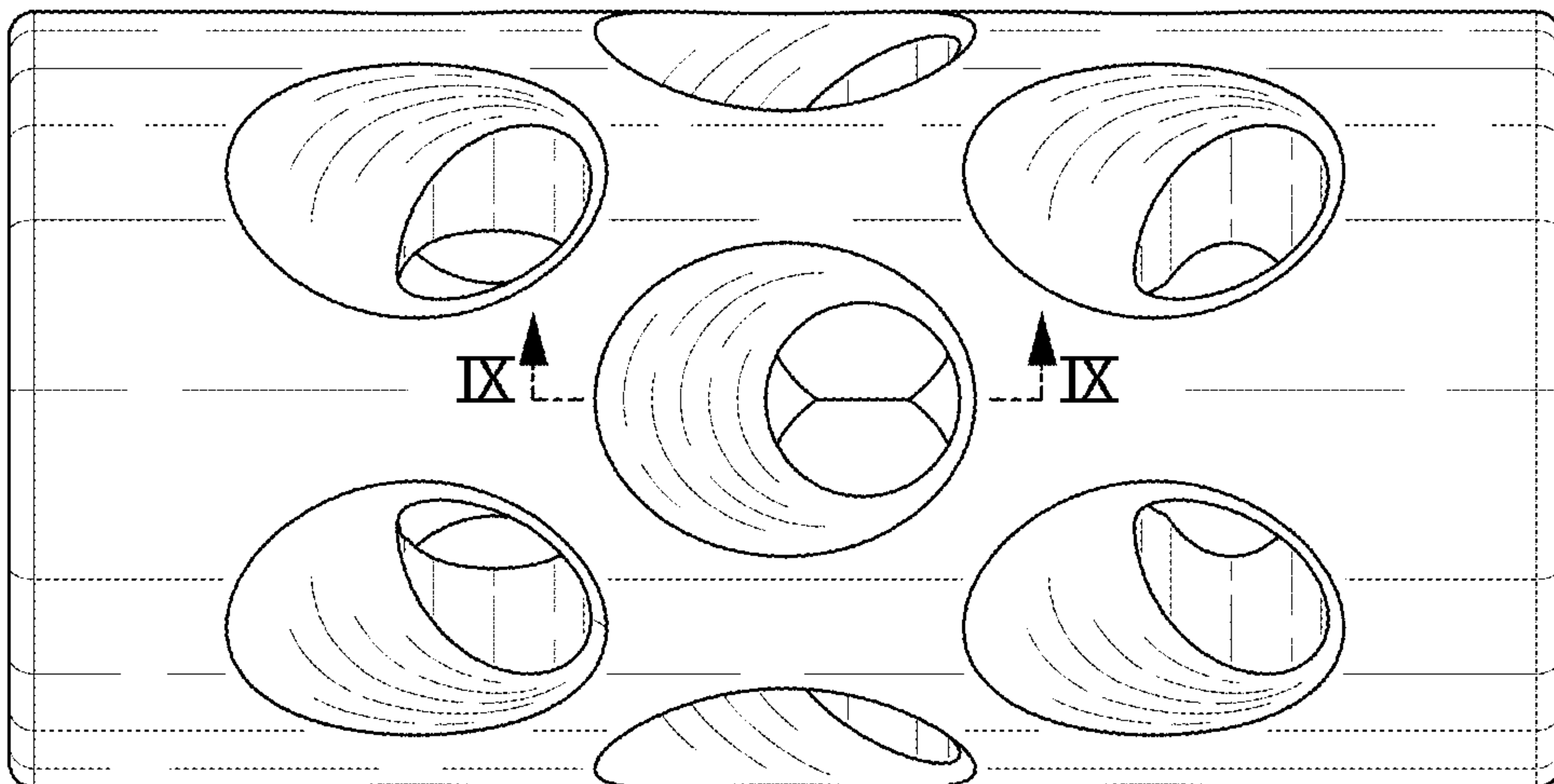


FIG. 6

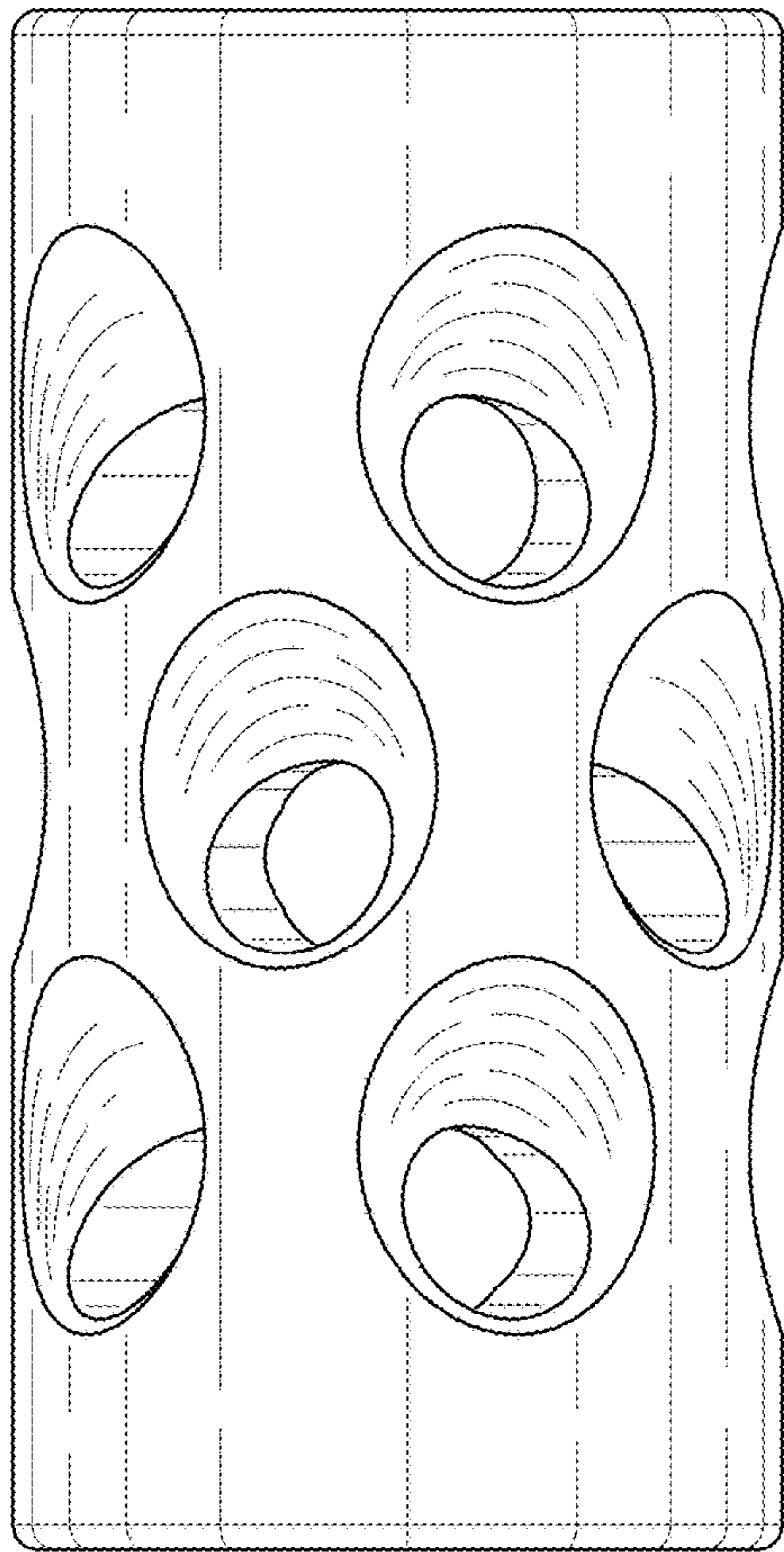


FIG. 7

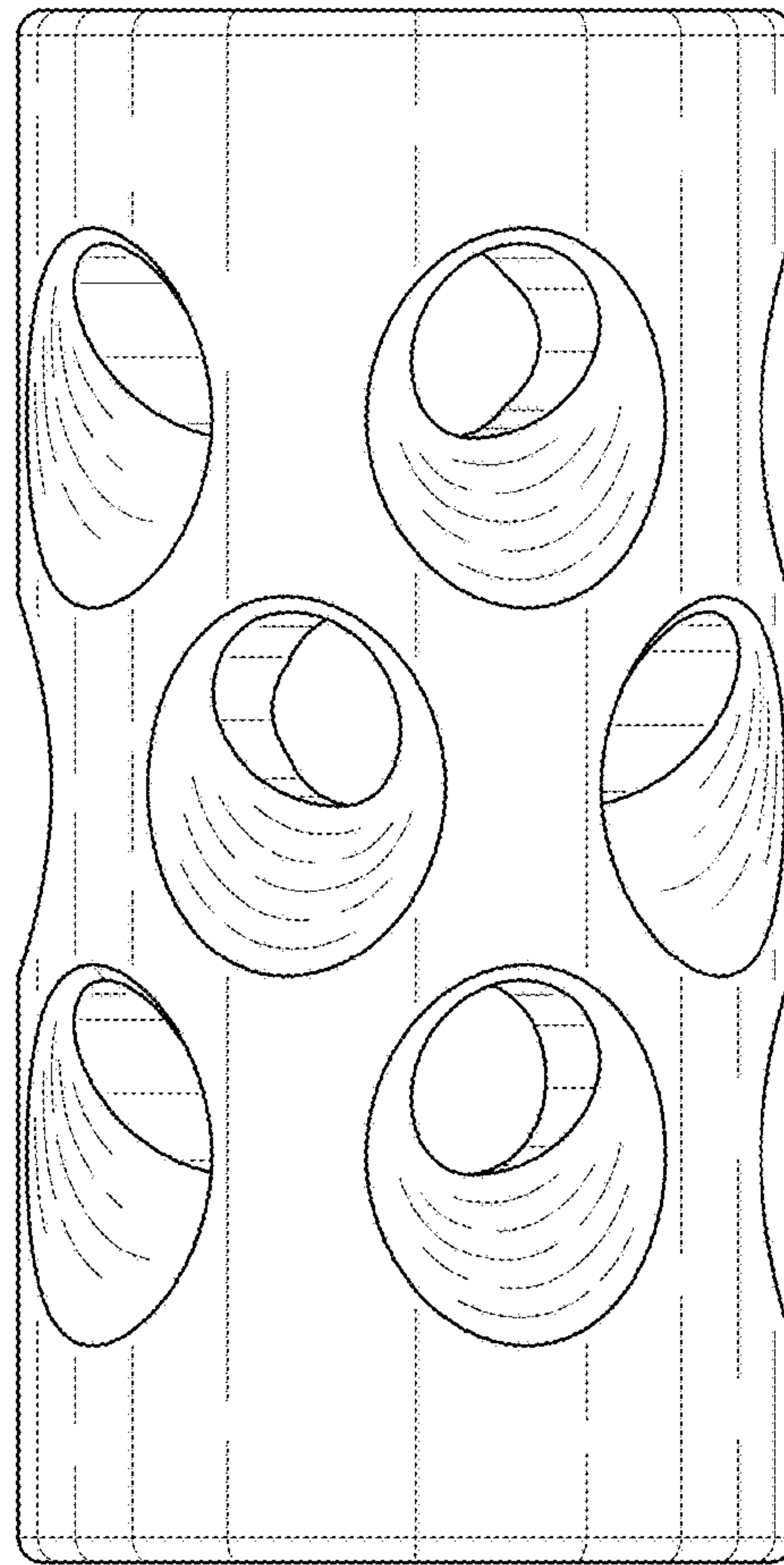


FIG. 8



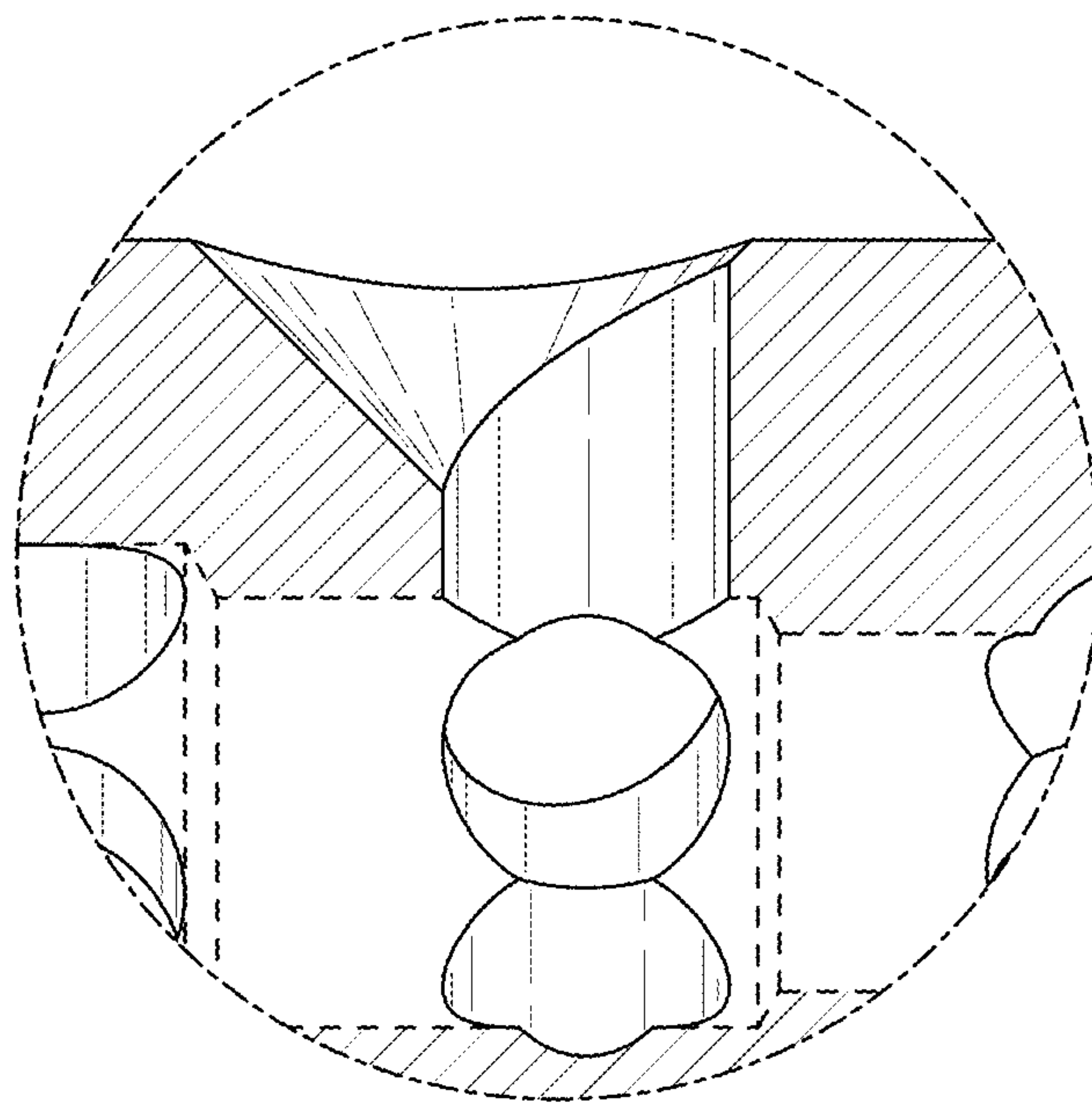


FIG. 9