



US00D828473S

(12) **United States Design Patent** (10) **Patent No.:** **US D828,473 S**  
**Kasper et al.** (45) **Date of Patent:** **\*\* Sep. 11, 2018**

(54) **HANDHELD INFLATABLE UNDERWATER VIEWING WINDOW**

D264,370 S 5/1982 McCarthy  
4,691,658 A 9/1987 New et al.  
D300,840 S 4/1989 Minurri  
D301,322 S 5/1989 Lee

(71) Applicant: **David Lee Kasper and Rachael Batcheler Kasper**, Dexter, MI (US)

(Continued)

(72) Inventors: **David Lee Kasper**, Dexter, MI (US);  
**Rachael Batcheler Kasper**, Dexter, MI (US)

**FOREIGN PATENT DOCUMENTS**

EP 1896320 B1 12/2008  
EP 2465767 A2 6/2012

(Continued)

(\*\*) Term: **15 Years**

**OTHER PUBLICATIONS**

(21) Appl. No.: **29/588,923**

<https://www.amazon.com/Window-Tortuga-Deluxe-Snorkeling-Camera/dp/B01N6399TL>—Product review date as early as Jul. 25, 2017.\*

(22) Filed: **Dec. 23, 2016**

(51) **LOC (11) Cl.** ..... **21-02**

(52) **U.S. Cl.**  
USPC ..... **D21/803**

(Continued)

(58) **Field of Classification Search**  
USPC ..... D21/597, 599, 646, 769, 770, 771, 778,  
D21/792, 801, 803, 804, 805, 806, 807,  
D21/808, 810, 814, 818, 819  
CPC ..... A41D 13/0518; A63B 2208/03; A63B  
2225/605; A63B 31/00; A63B 31/10;  
A63B 69/14; A63B 31/11; B63B 21/66;  
B63C 11/02

*Primary Examiner* — Manpreet S Matharu  
*Assistant Examiner* — Mojtaba Tehrani  
(74) *Attorney, Agent, or Firm* — Endurance Law Group PLC

See application file for complete search history.

(57) **CLAIM**

We claim the ornamental design for a handheld inflatable underwater viewing window, as shown and described.

(56) **References Cited**

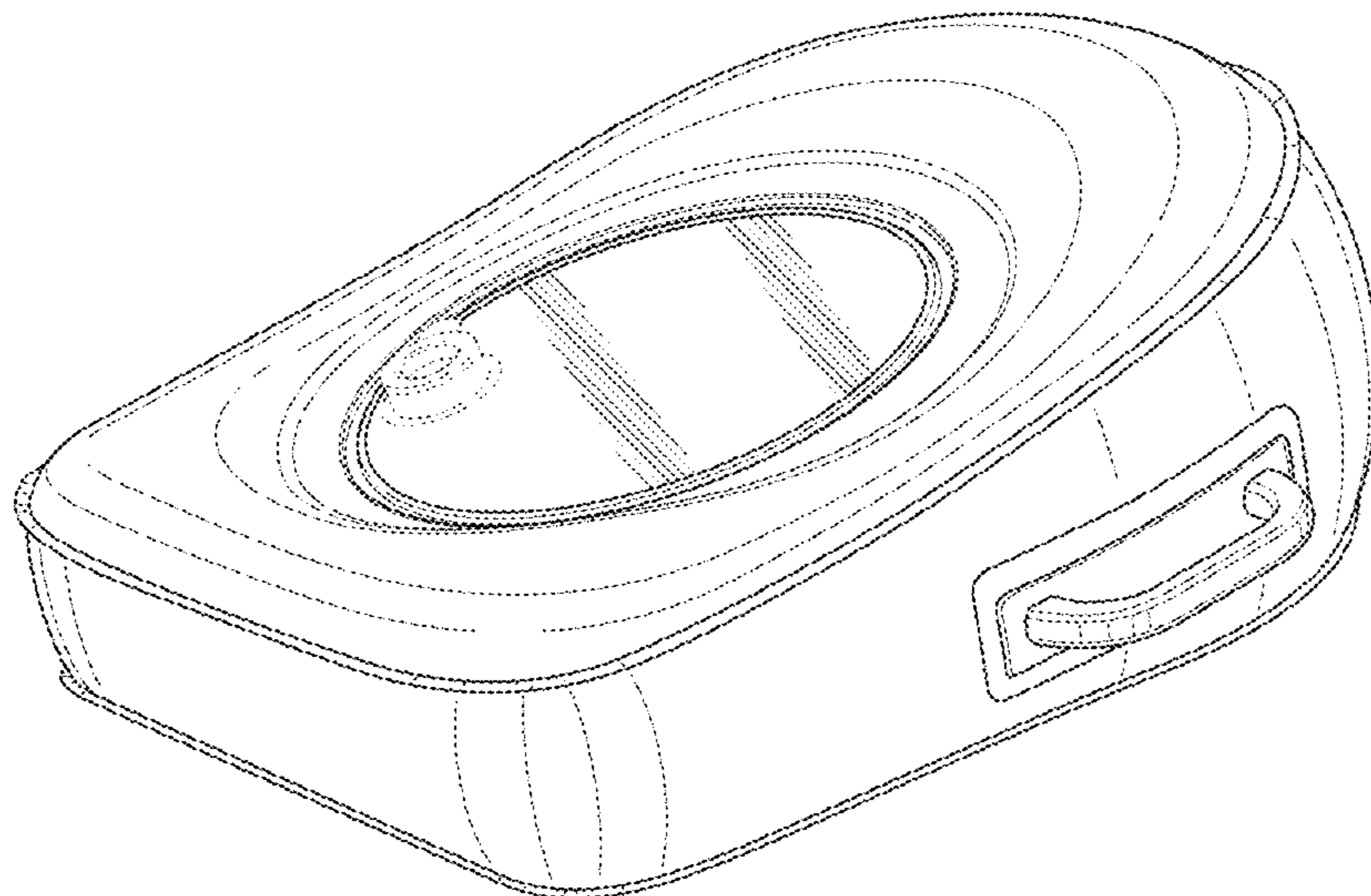
**DESCRIPTION**

**U.S. PATENT DOCUMENTS**

2,075,649 A 3/1937 Knight  
D157,564 S 3/1950 Byerly  
2,712,139 A 7/1955 Kelly  
2,717,399 A 9/1955 Townsend  
3,042,945 A 7/1962 Saeman  
3,081,726 A 3/1963 Betts et al.  
D221,697 S \* 8/1971 Nicholson ..... D12/11  
3,619,042 A 11/1971 Lazar  
D233,904 S 12/1974 Dage  
4,145,783 A 3/1979 Rhodes

FIG. 1 is perspective view of a handheld inflatable underwater viewing window according to the present invention; FIG. 2 is a top view of the viewing window; FIG. 3 is a front view of the viewing window; FIG. 4 is a rear view of the viewing window; FIG. 5 is a bottom of the viewing window; FIG. 6 is a right-side view of the viewing window; and, FIG. 7 is a left-side view of the viewing window. The broken line in the figure drawings represents unclaimed portion of the design and forms no part of the claim.

**1 Claim, 5 Drawing Sheets**



(56)

References Cited

U.S. PATENT DOCUMENTS

4,844,595 A \* 7/1989 Nealy ..... G02B 23/22  
114/66

4,895,539 A 1/1990 Bender

4,925,417 A 5/1990 Warren

D315,387 S 3/1991 Warren

D343,220 S \* 1/1994 Fireman ..... D21/803

D349,744 S 8/1994 Wolfe

D351,009 S 9/1994 Wolfe

5,399,111 A 3/1995 Kobayashi et al.

5,476,055 A 12/1995 Hackett et al.

D377,072 S 12/1996 Ilejay

5,672,082 A 9/1997 Binder

D384,721 S 10/1997 Peterson

D390,618 S 2/1998 Wilson

D393,683 S 4/1998 Song et al.

D426,097 S \* 6/2000 Bortolotto ..... D6/601

6,241,569 B1 6/2001 Harkrider

6,293,841 B1 9/2001 Safilian

D461,516 S \* 8/2002 Chen ..... D21/770

D466,175 S \* 11/2002 Katz ..... D21/769

6,572,424 B2 6/2003 Harkrider

D483,088 S 12/2003 Zheng

D509,470 S 9/2005 Weir et al.

D544,061 S 6/2007 Kuchler

D582,499 S 12/2008 Hoffman

D582,500 S 12/2008 Hoffman

7,547,238 B1 6/2009 Melancon

D600,768 S 9/2009 Foti

7,678,271 B2 3/2010 Curtin

D613,359 S 4/2010 Ross

D615,825 S 5/2010 Curtin

D627,026 S 11/2010 Durocher

D628,667 S 12/2010 McCarthy

7,927,164 B2 4/2011 Kuchler

D649,615 S \* 11/2011 Scott ..... D21/769

D665,866 S 8/2012 Scott et al.

D706,205 S 6/2014 Bradley

D765,200 S 8/2016 Gershon

D775,294 S \* 12/2016 Robinson ..... D21/803

D779,609 S 2/2017 Osimo

D785,738 S \* 5/2017 McKellar ..... D21/769

D802,074 S \* 11/2017 Osimo ..... D21/803

2005/0247248 A1 11/2005 Caplan et al.

2006/0252318 A1 11/2006 Krantz

2012/0156951 A1 6/2012 Segev

2013/0065465 A1 3/2013 Montana

2013/0280974 A1 10/2013 Mulvihill

2015/0024645 A1 \* 1/2015 Neal ..... B63C 9/08  
441/88

2016/0096598 A1 \* 4/2016 Harkrider ..... A47C 15/006  
441/130

FOREIGN PATENT DOCUMENTS

FR 2797775 A 3/2001

GB 2336132 A 10/1999

GB 2391956 A 2/2004

WO 1994018067 A1 8/1994

WO 1998017527 A1 4/1998

WO 2013163327 A1 10/2013

OTHER PUBLICATIONS

<https://www.amazon.com/AQUAVUE-Voyager-Clear-Bottom-Inflatable/dp/B00TGTF0AC>—Retrieved on Nov. 30, 2017.

<https://www.amazon.com/Window-Explorer-Kids-Snorkeling-Raft/dp/B01N38H869>—product reviews as early as May 2, 2017.

\* cited by examiner

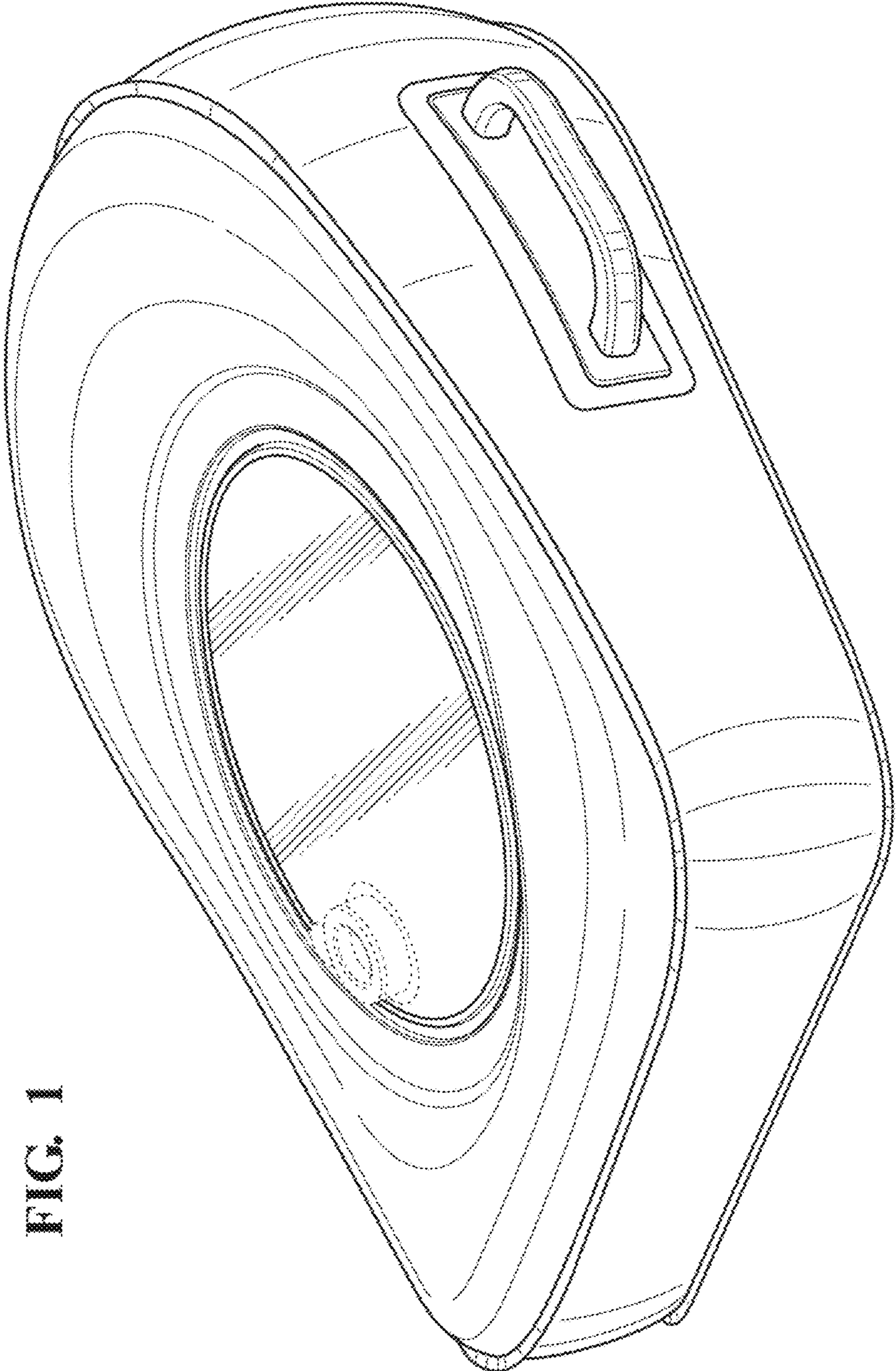


FIG. 1

FIG. 2

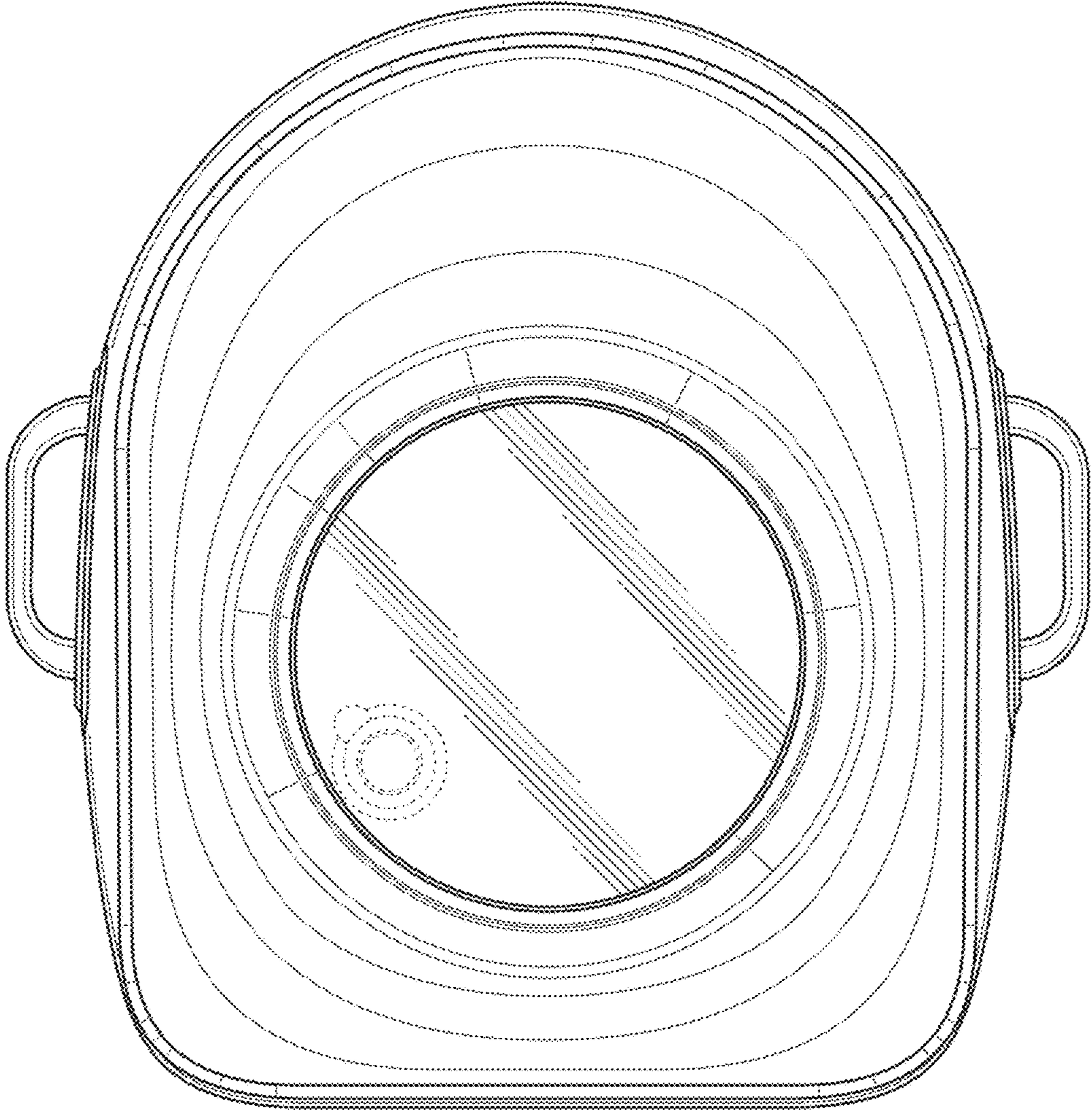


FIG. 3

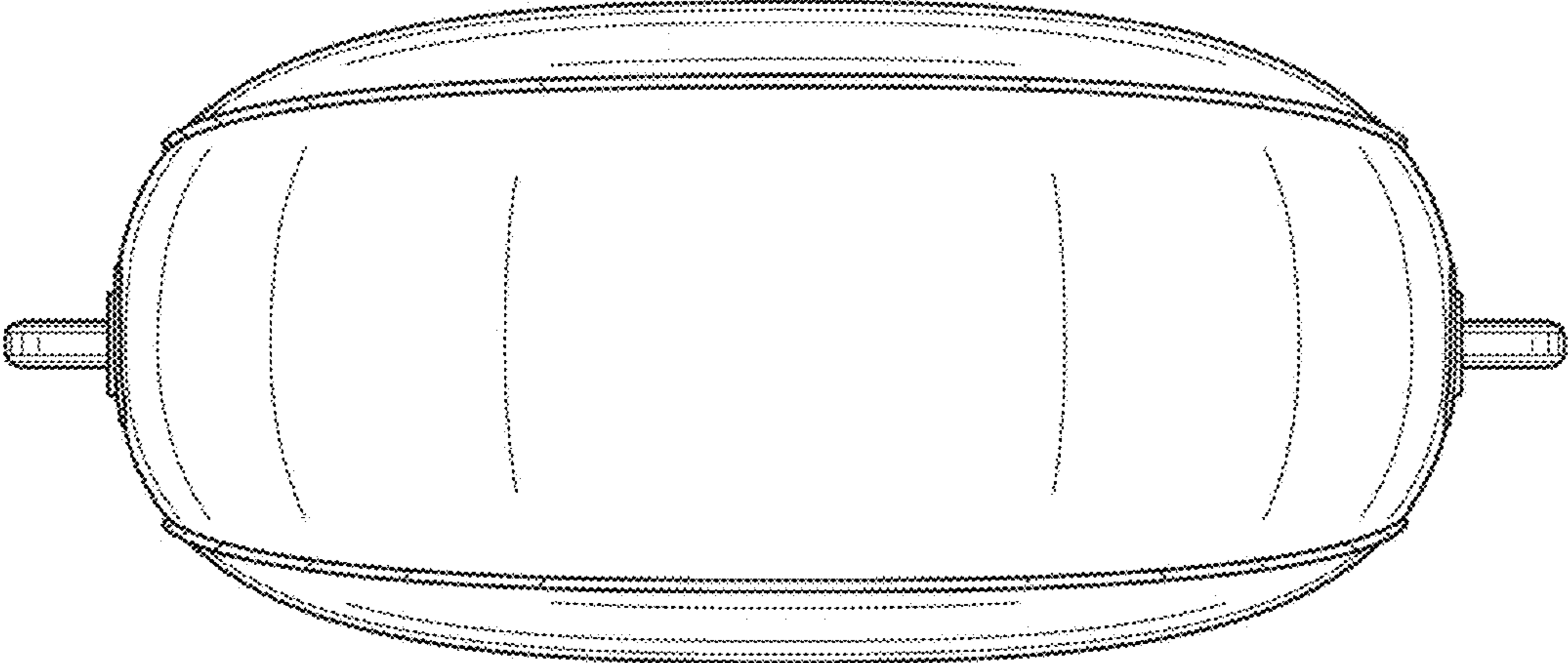


FIG. 4

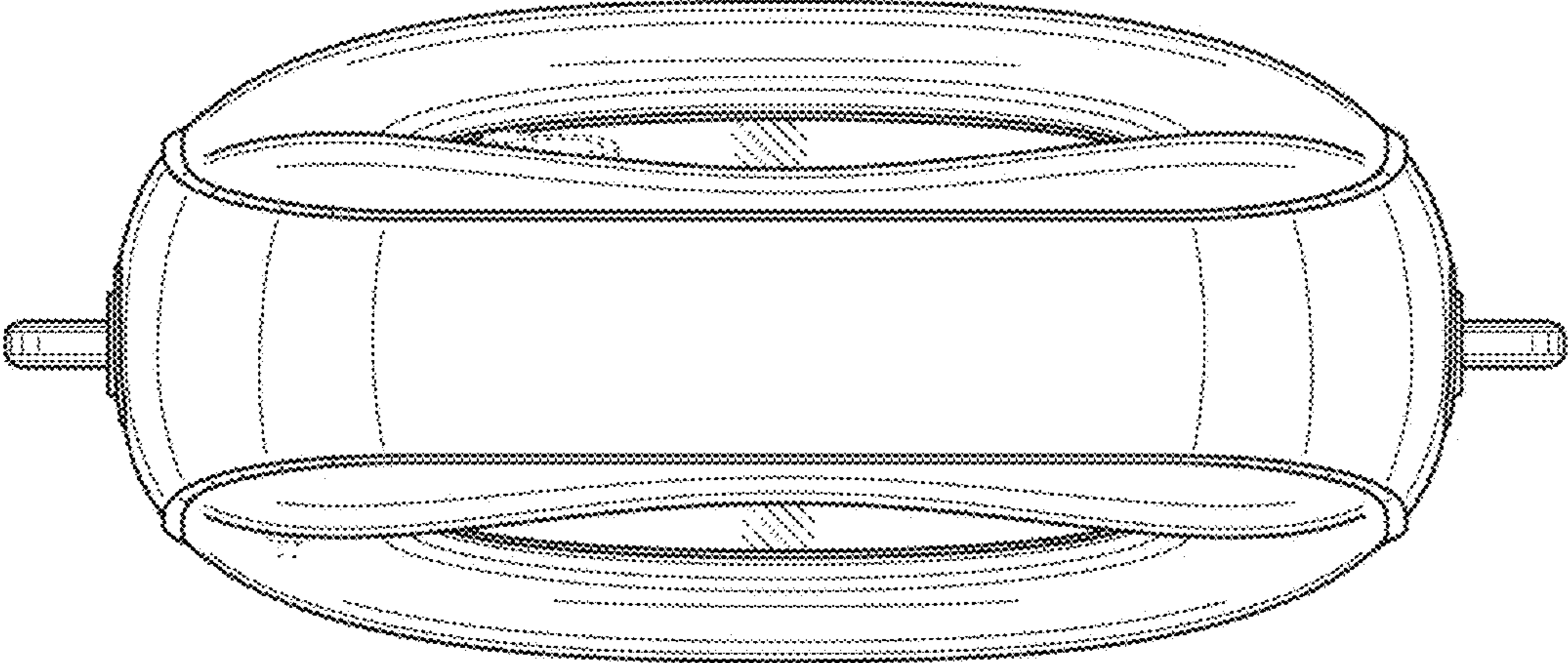
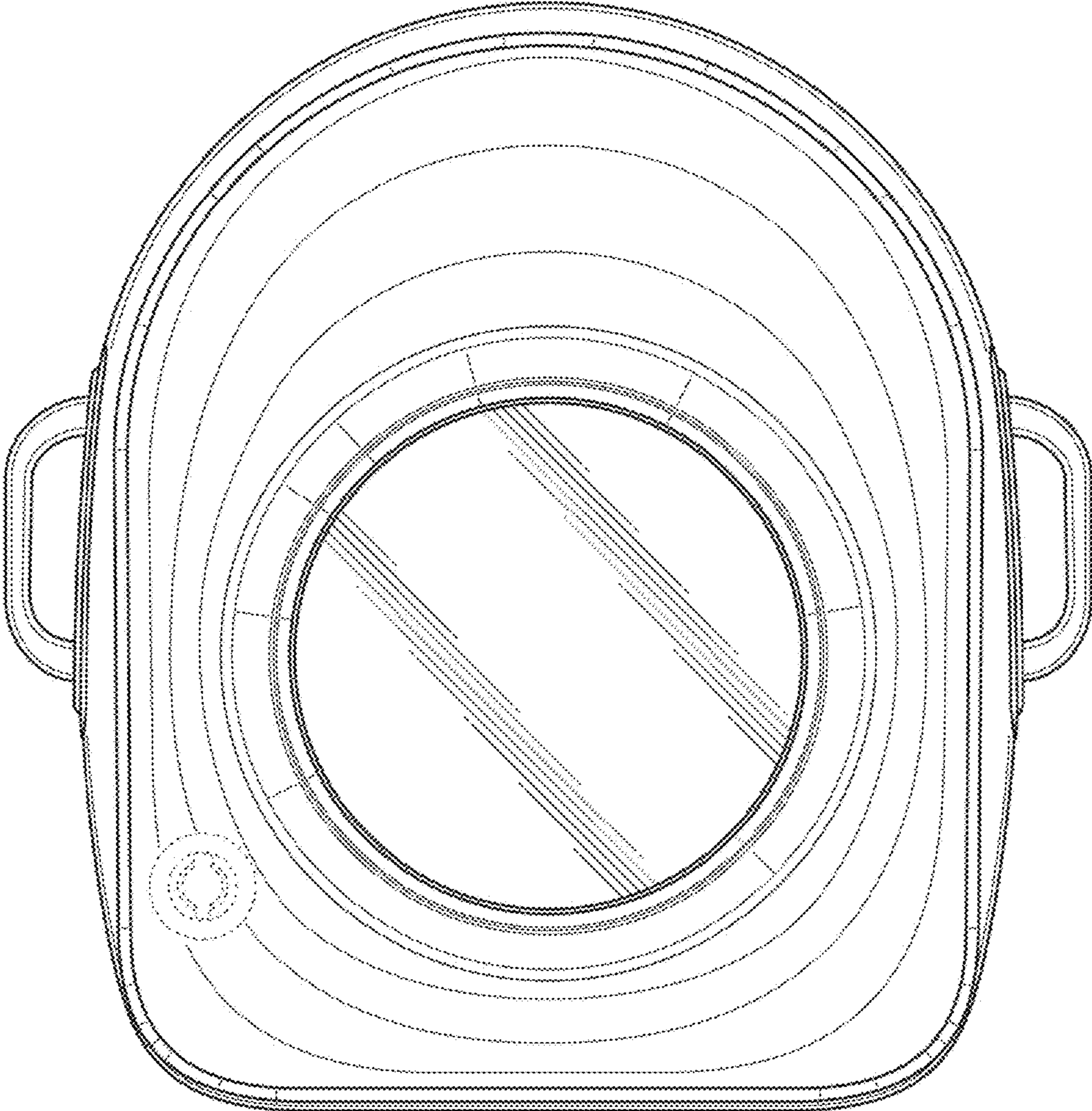


FIG. 5



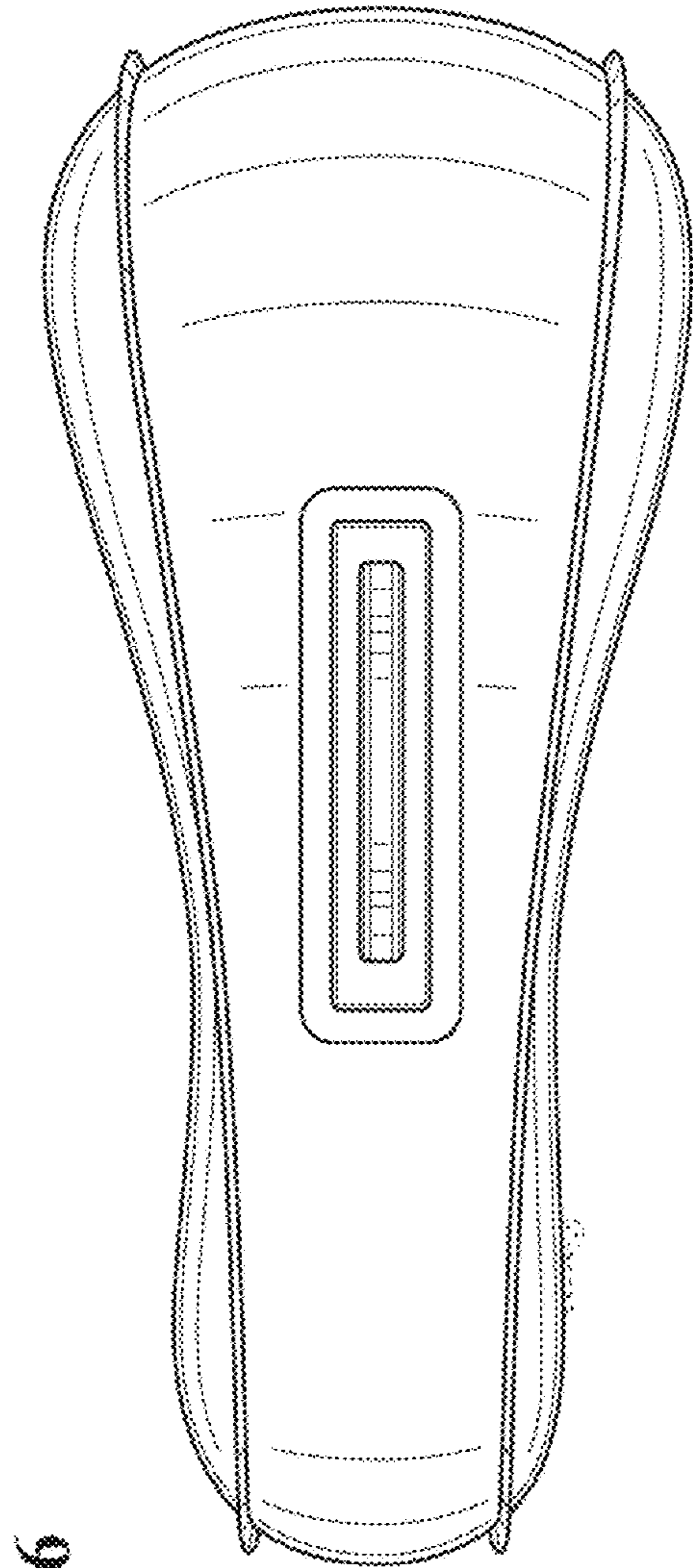


FIG. 6

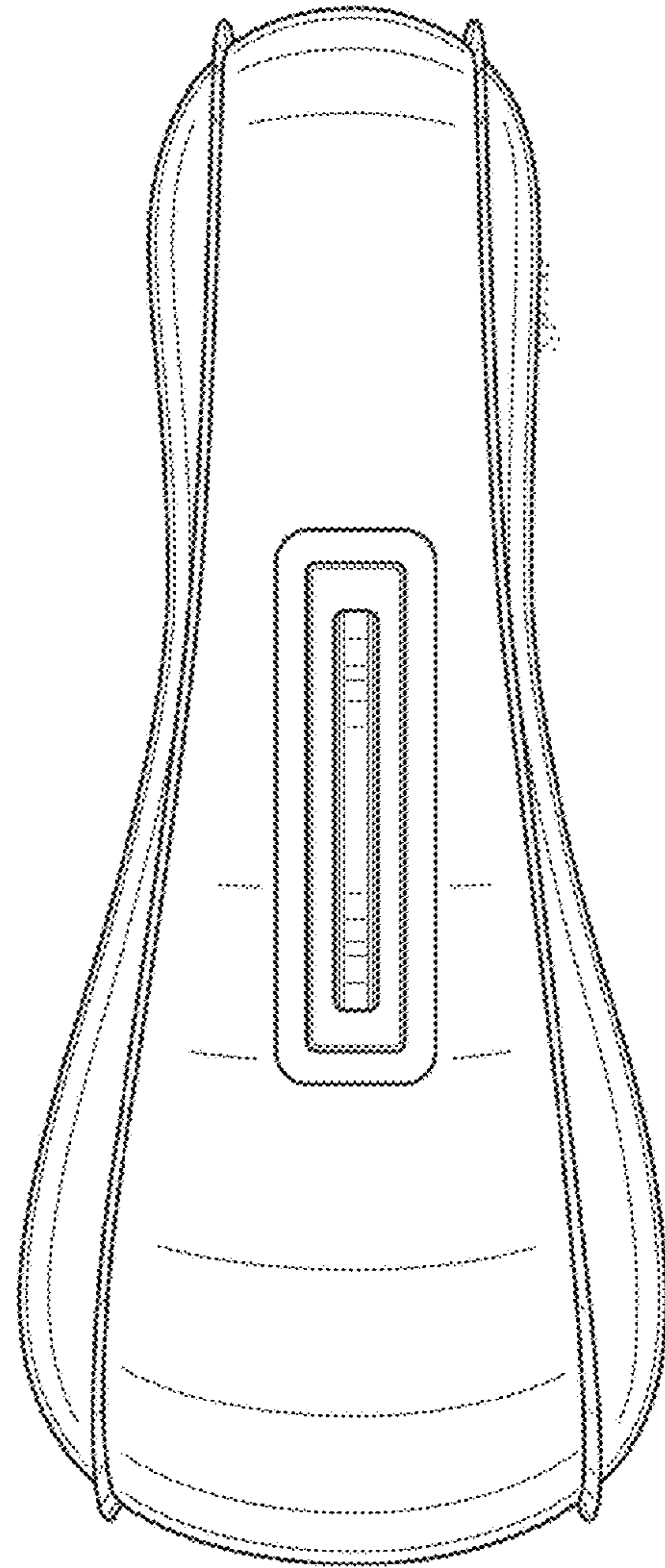


FIG. 7