

US00D828471S

(12) **United States Design Patent**  
**Payne**

(10) **Patent No.:** **US D828,471 S**

(45) **Date of Patent:** **\*\* Sep. 11, 2018**

- (54) **GOLF PUTTER HEAD**
- (71) Applicant: **James S. Payne**, Oxford, MS (US)
- (72) Inventor: **James S. Payne**, Oxford, MS (US)
- (\*\*) Term: **15 Years**
- (21) Appl. No.: **29/585,244**
- (22) Filed: **Nov. 22, 2016**
- (51) **LOC (11) Cl.** ..... **21-02**
- (52) **U.S. Cl.**  
USPC ..... **D21/759**
- (58) **Field of Classification Search**  
USPC ..... D21/736-746, 759  
CPC ..... A63B 53/00; A63B 53/04; A63B 53/007;  
A63B 53/065; A63B 53/0487; A63B  
60/00; A63B 60/46  
See application file for complete search history.

D669,145 S *	10/2012	Roland	.....	D21/736
D680,181 S *	4/2013	Roland	.....	D21/759
D697,567 S *	1/2014	Cynn	.....	D21/742
8,632,415 B1 *	1/2014	Smith	.....	A63B 47/04 473/286
D707,314 S *	6/2014	Mickle	.....	D21/736
D710,958 S *	8/2014	Mickle	.....	D21/736
D710,959 S *	8/2014	Mickle	.....	D21/736
8,888,605 B2 *	11/2014	Cynn	.....	A63B 53/04 473/249
9,227,116 B2 *	1/2016	Cynn	.....	A63B 53/04
D757,192 S *	5/2016	Hanson	.....	D21/742
D793,501 S *	8/2017	Cynn	.....	D21/735
D799,614 S *	10/2017	Cynn	.....	D21/735
2010/0227704 A1 *	9/2010	Souza	.....	A63B 53/0487 473/340

\* cited by examiner

*Primary Examiner* — Mitchell I. Siegel  
(74) *Attorney, Agent, or Firm* — Armstrong Teasdale LLP

(57) **CLAIM**

The ornamental design for a golf putter head, as shown and described.

(56) **References Cited**

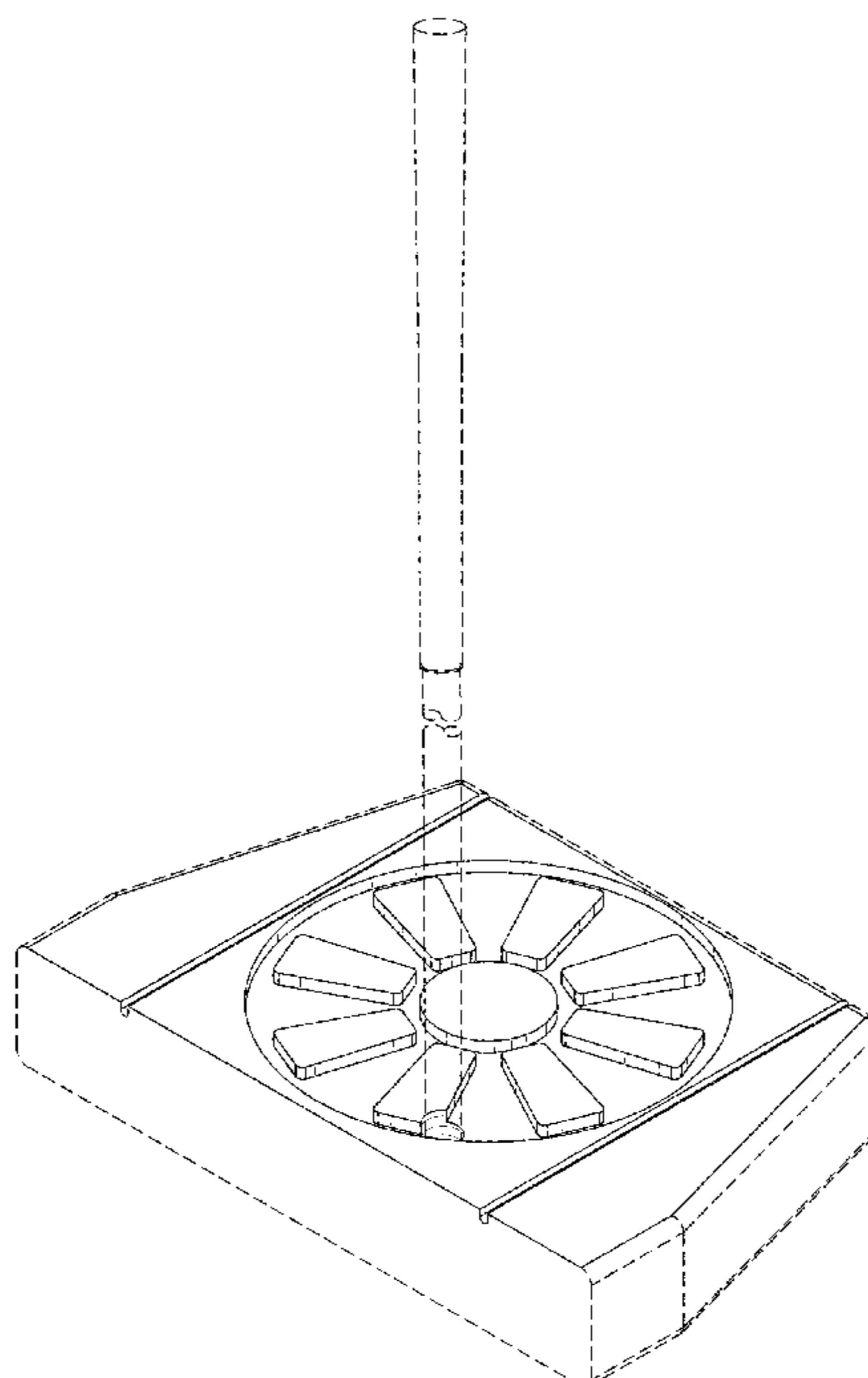
U.S. PATENT DOCUMENTS

D257,869 S *	1/1981	MacDougall	.....	D21/739
D257,870 S *	1/1981	MacDougall	.....	D21/739
D268,691 S *	4/1983	Collins	.....	D21/739
D375,131 S *	10/1996	Williams	.....	D21/743
D399,900 S *	10/1998	Hogan	.....	D21/742
5,924,938 A *	7/1999	Hines	.....	A63B 53/02 473/307
D424,145 S *	5/2000	Minami	.....	D21/744
D517,624 S *	3/2006	Wilson	.....	D21/746
D520,089 S *	5/2006	Garcia	.....	D21/744
D564,053 S *	3/2008	Blankenship	.....	D21/736
D572,325 S *	7/2008	Baer	.....	D21/746
D607,950 S *	1/2010	Souza	.....	D21/736
D666,260 S *	8/2012	Cynn	.....	D21/742

**DESCRIPTION**

FIG. 1 is a perspective view of a golf putter head showing an embodiment of my new design; FIG. 2 is a front elevation thereof; FIG. 3 is a rear elevation thereof; FIG. 4 is a right side elevation thereof; FIG. 5 is a left side elevation thereof; and, FIG. 6 is a top plan view thereof. The broken lines in the drawings are for illustration only, and do not form a part of the claimed design.

**1 Claim, 6 Drawing Sheets**



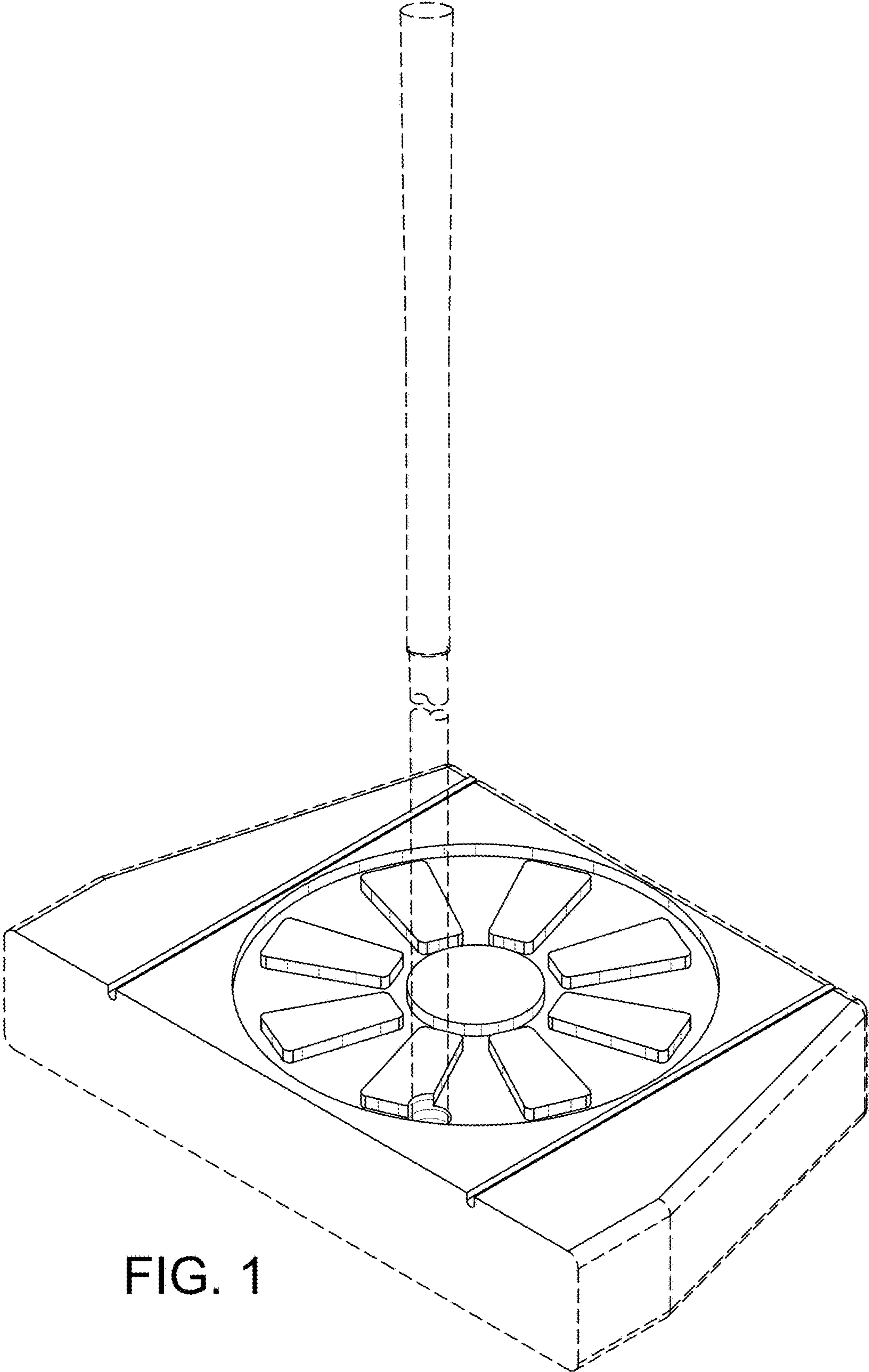


FIG. 1

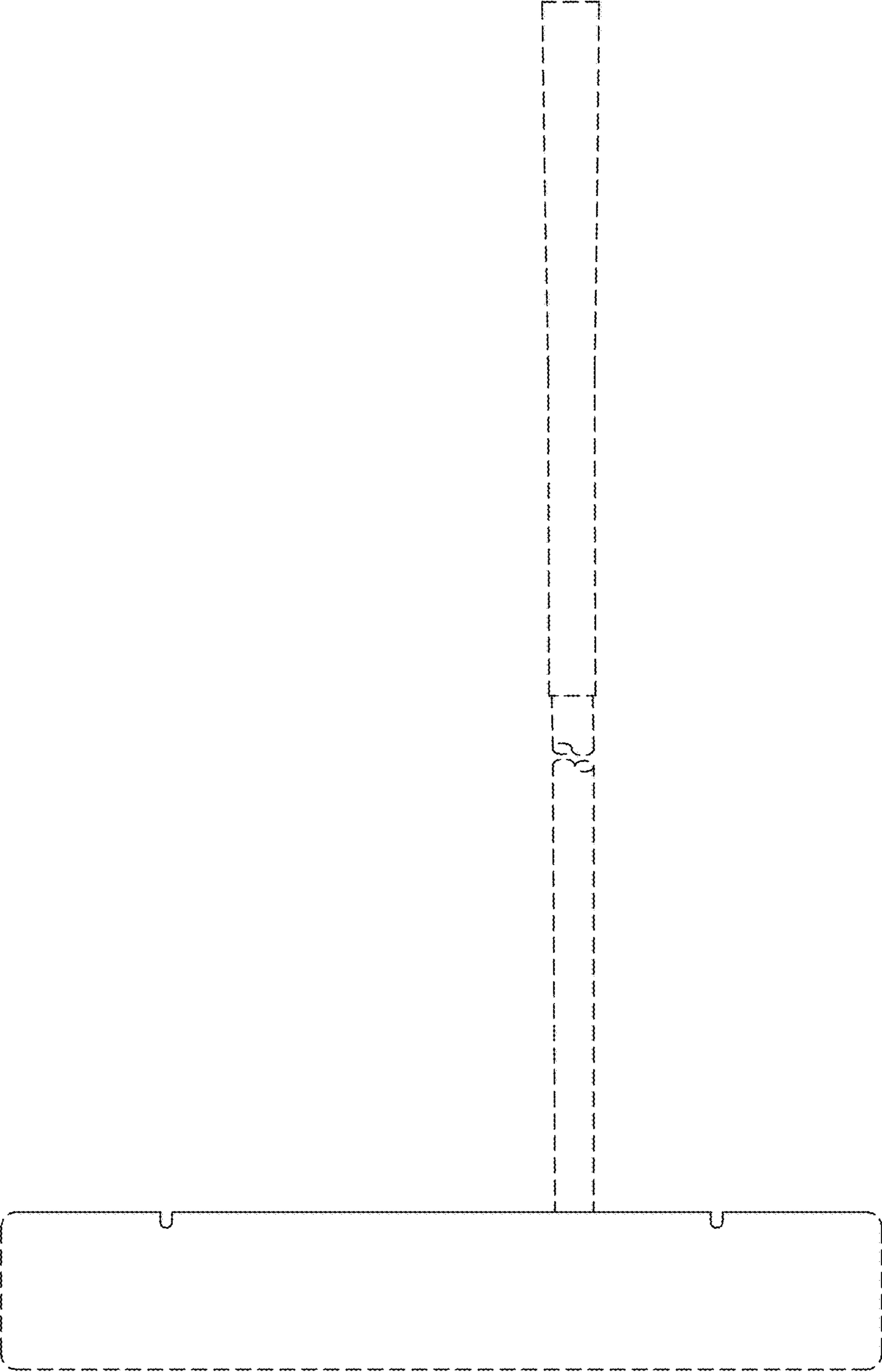


FIG. 2

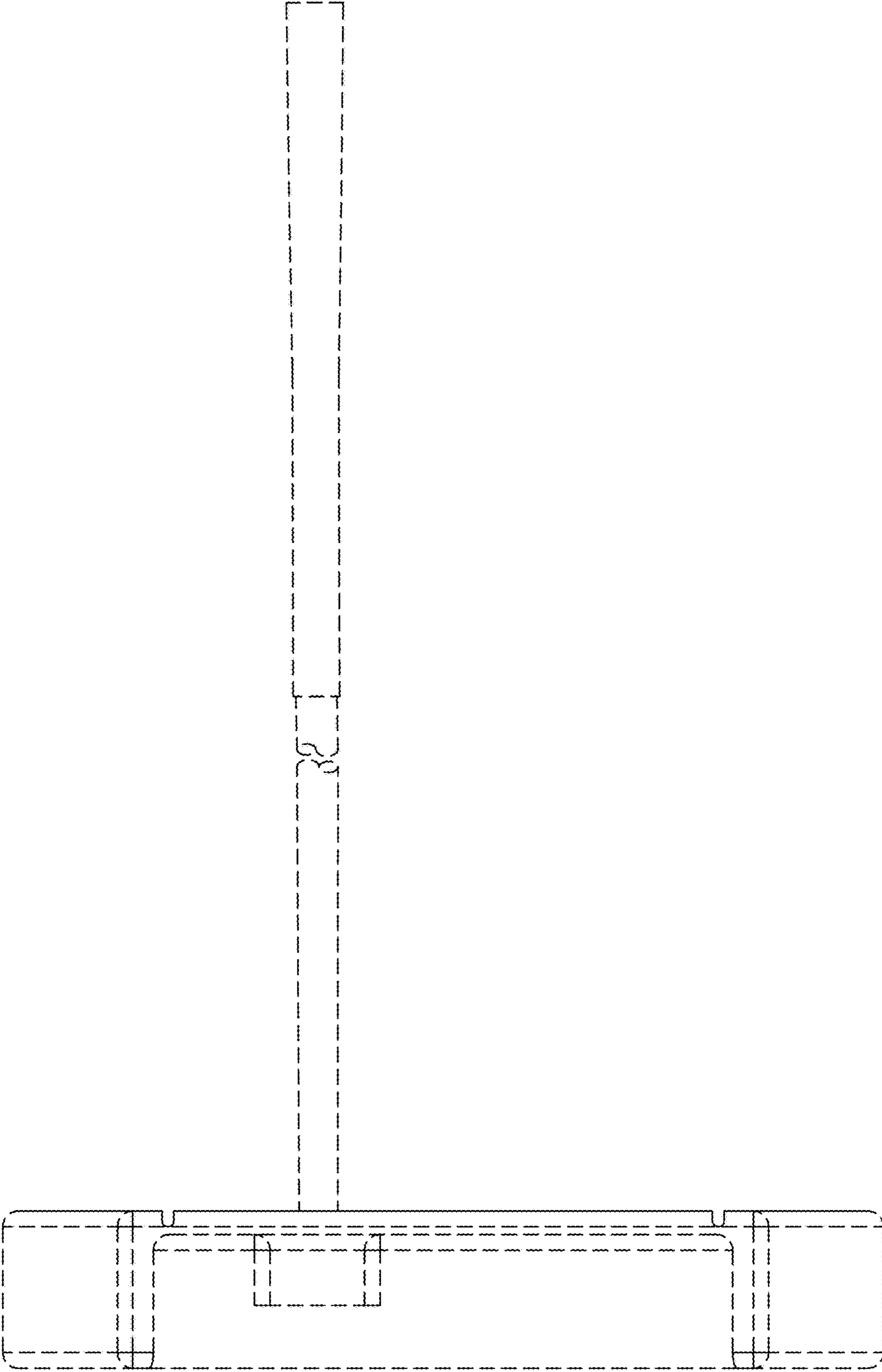


FIG. 3

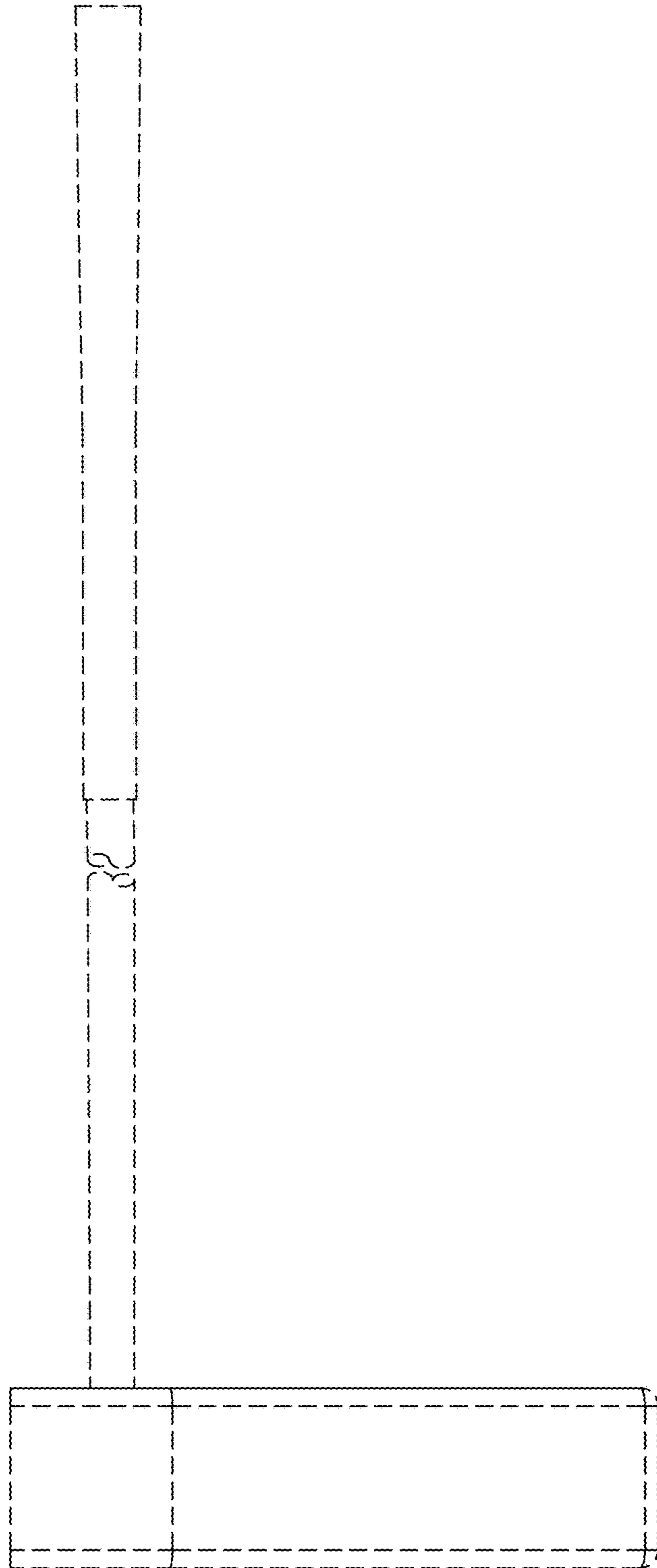


FIG. 4

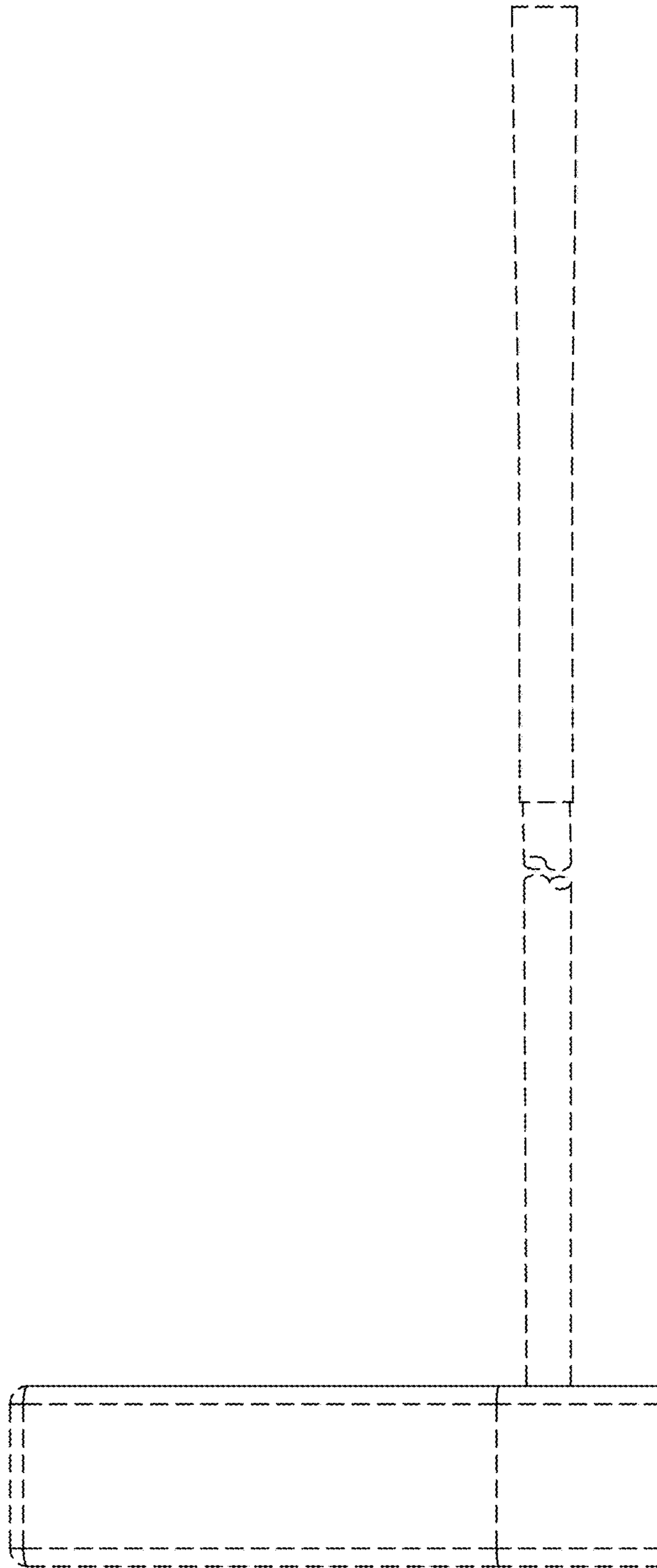


FIG. 5

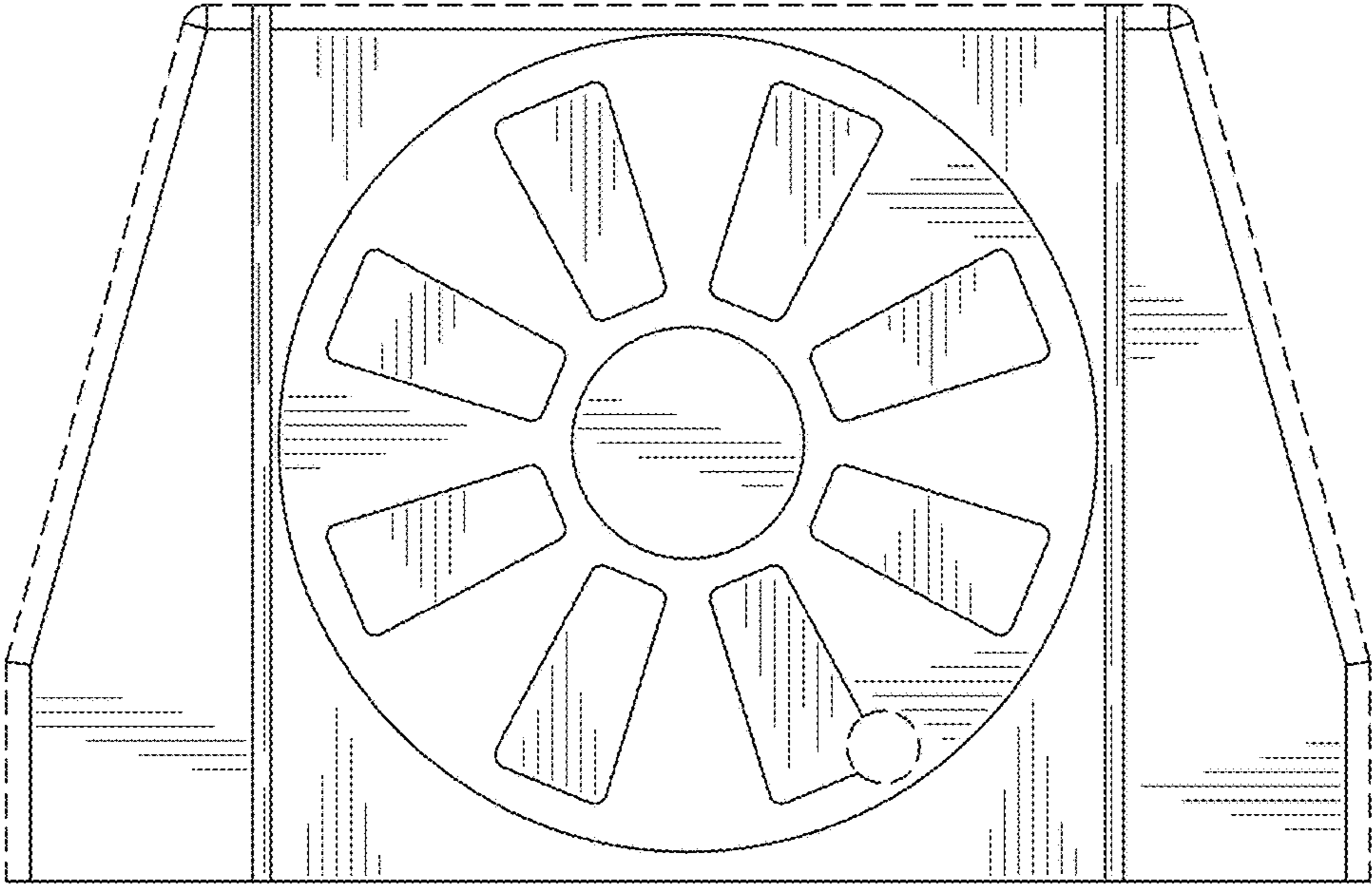


FIG. 6