



US00D828470S

(12) **United States Design Patent**  
**Lawhon, Jr.**

(10) **Patent No.:** **US D828,470 S**  
(45) **Date of Patent:** **\*\* Sep. 11, 2018**

(54) **NET**  
(71) Applicant: **Harold Lawhon, Jr.**, Orange, CA (US)  
(72) Inventor: **Harold Lawhon, Jr.**, Orange, CA (US)  
(\*\*) Term: **15 Years**  
(21) Appl. No.: **29/620,637**  
(22) Filed: **Mar. 27, 2017**  
(51) **LOC (11) Cl.** ..... **21-02**  
(52) **U.S. Cl.**  
USPC ..... **D21/705**  
(58) **Field of Classification Search**  
USPC ..... 273/348, 394, 396, 397, 398, 400, 401,  
273/402, 406, 407; 473/172, 197, 415;  
D21/302, 303, 304, 305, 306, 698, 699,  
D21/700, 701, 702, 703, 704, 705, 780,  
D21/788, 789, 790, 834, 835, 836, 837,  
D21/838, 839; D22/135  
CPC ..... A63B 63/00; A63B 2063/001; A63B  
2063/002; A63B 2063/065  
See application file for complete search history.

D359,538 S \* 6/1995 Hague ..... D21/705  
D371,587 S \* 7/1996 Braun ..... D21/705  
D390,292 S \* 2/1998 Hoag ..... D21/705  
D442,242 S \* 5/2001 Rajacich ..... D21/705  
6,458,048 B1 10/2002 McGrath  
7,056,239 B2 6/2006 Hickman, Jr.  
7,278,934 B2 10/2007 McBride et al.  
7,543,821 B2 \* 6/2009 Winningham ..... A63B 63/004  
273/396  
D622,790 S \* 8/2010 Brown ..... D21/698  
D670,346 S \* 11/2012 Pye ..... D21/705  
D681,139 S \* 4/2013 Persona ..... D21/705  
2005/0134001 A1 \* 6/2005 Rowan ..... A63B 63/00  
273/401  
2010/0160093 A1 \* 6/2010 MacArthur ..... A63B 69/0071  
473/447  
2014/0296002 A1 \* 10/2014 Luo ..... A63B 69/0097  
473/435  
2015/0196819 A1 \* 7/2015 Markham ..... A63B 71/0622  
473/446  
2018/0093151 A1 \* 4/2018 Burdan ..... A63B 67/06

\* cited by examiner

*Primary Examiner* — Cynthia Ramirez

*Assistant Examiner* — Michael A Maharajh

(74) *Attorney, Agent, or Firm* — Paul R. Martin

(56) **References Cited**

U.S. PATENT DOCUMENTS

D237,808 S \* 11/1975 Edstrand ..... 273/400  
D241,151 S \* 8/1976 Covino ..... D21/705  
4,068,846 A \* 1/1978 Forrest ..... A63B 63/00  
473/195  
4,364,562 A 12/1982 White et al.  
4,826,164 A \* 5/1989 Butcher ..... A63B 63/00  
273/400  
4,872,674 A 10/1989 Deal  
D317,033 S \* 5/1991 Rains ..... D21/705  
D321,736 S \* 11/1991 Franklin ..... D21/305  
D333,856 S \* 3/1993 Cantey ..... D21/705  
5,342,063 A \* 8/1994 O'Brien ..... A63B 69/0097  
273/396

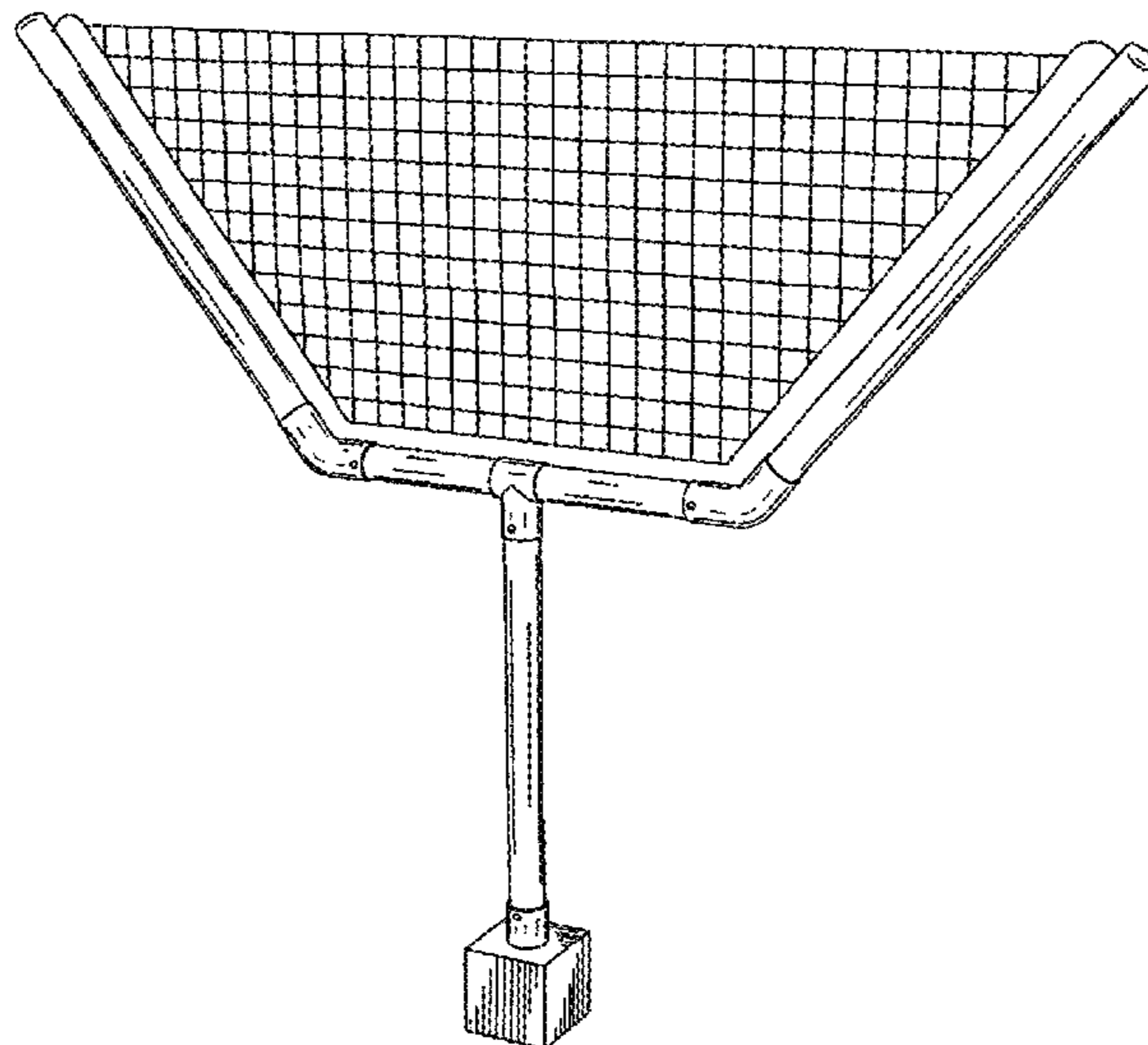
(57) **CLAIM**

The ornamental design for a net, as shown and described.

**DESCRIPTION**

FIG. 1 is a perspective view of a net showing my new design;  
FIG. 2. Is a front elevational view thereof.  
FIG. 3 is a back elevational view thereof.  
FIG. 4 is a right side elevational view thereof.  
FIG. 5 is a left side elevational view thereof.  
FIG. 6 is a bottom plan view thereof; and,  
FIG. 7 is a top plan view thereof.

**1 Claim, 5 Drawing Sheets**



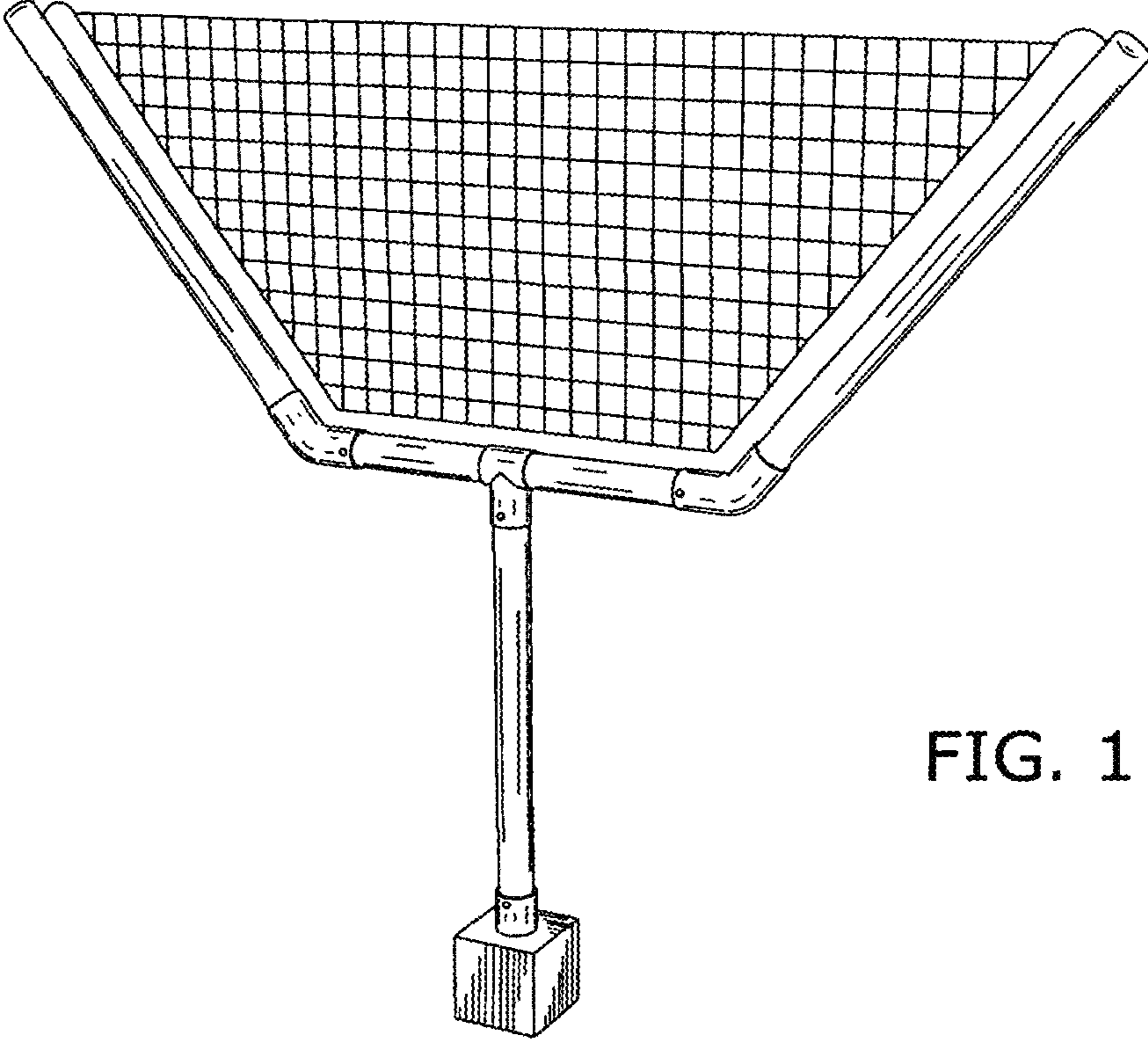


FIG. 1

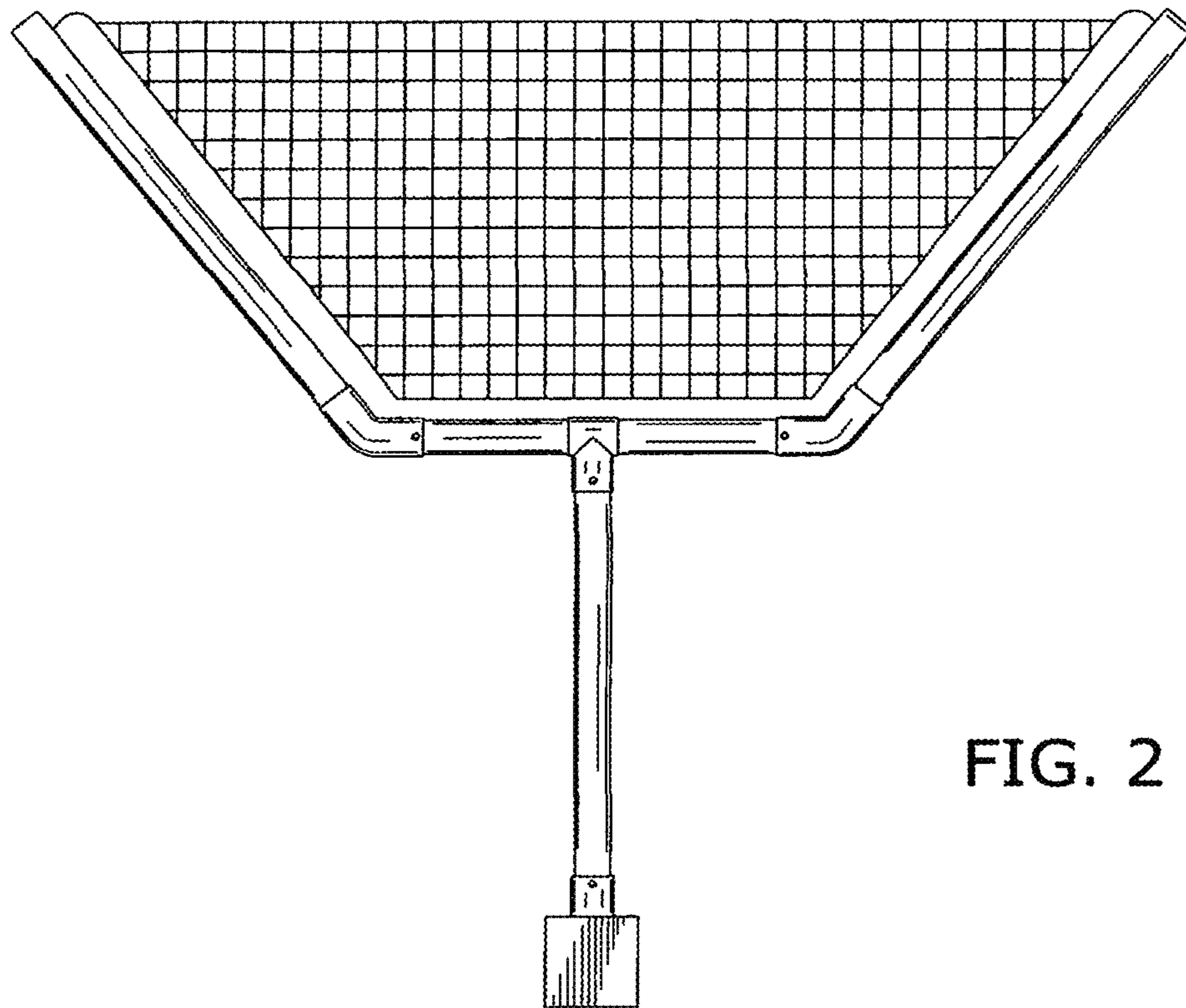


FIG. 2

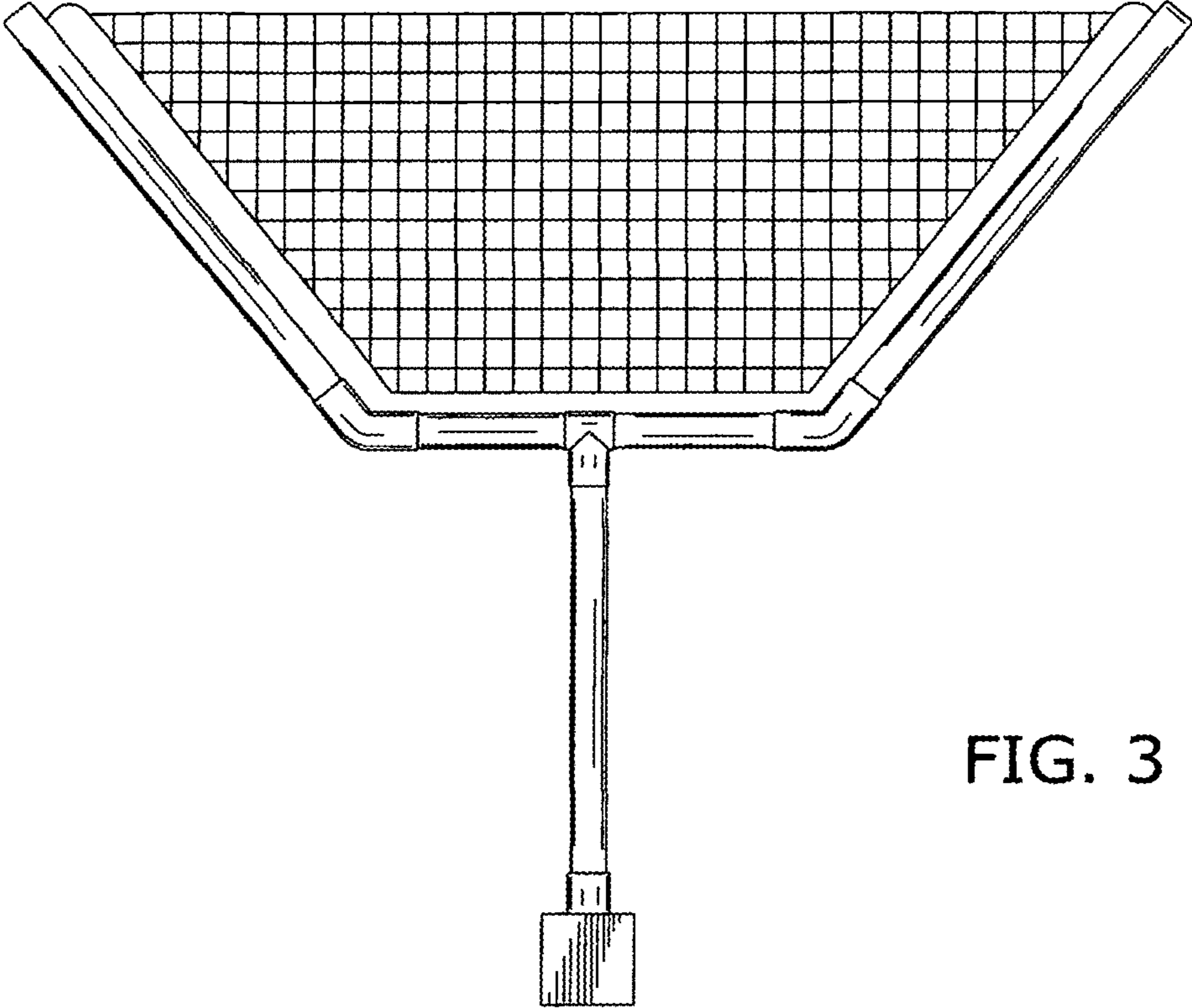


FIG. 3

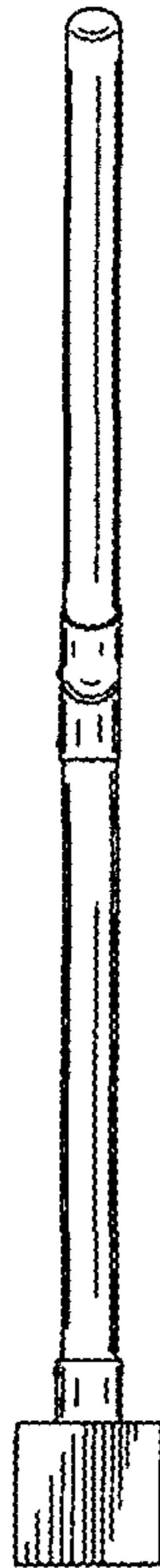


FIG. 4

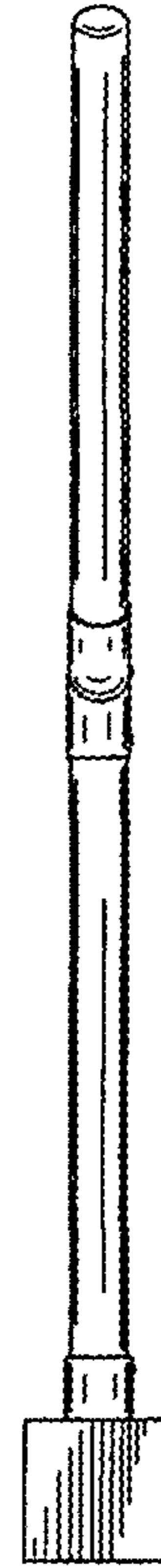


FIG. 5

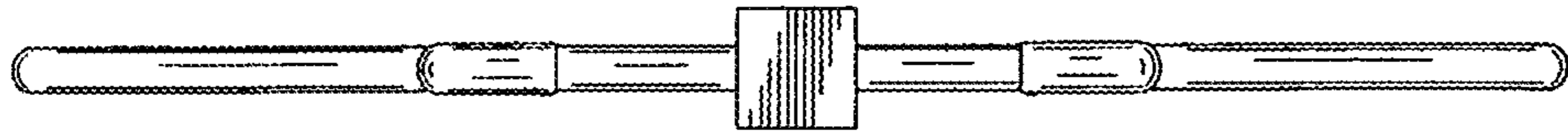


FIG. 6

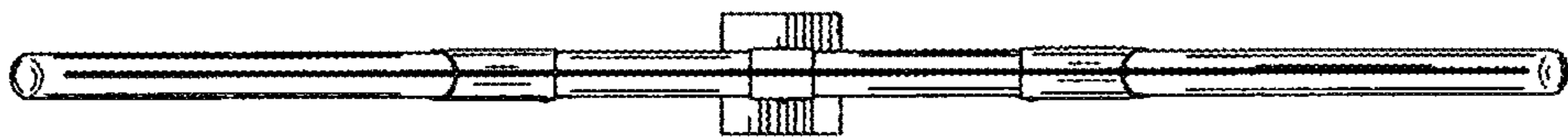


FIG. 7