



US00D828469S

(12) **United States Design Patent** (10) **Patent No.:** **US D828,469 S**
Blum (45) **Date of Patent:** **** Sep. 11, 2018**

(54) **REMOVABLE MEDIA RACK FOR EXERCISE CONSOLE**

(71) Applicant: **Brunswick Corporation**, Mettawa, IL (US)

(72) Inventor: **Matthew P. Blum**, Chicago, IL (US)

(73) Assignee: **Brunswick Corporation**, Mettawa, IL (US)

(**) Term: **15 Years**

(21) Appl. No.: **29/636,692**

(22) Filed: **Feb. 9, 2018**

Related U.S. Application Data

(62) Division of application No. 29/554,263, filed on Feb. 10, 2016, now Pat. No. Des. 813,325.

(51) **LOC (11) Cl.** **21-02**

(52) **U.S. Cl.**
USPC **D21/696**

(58) **Field of Classification Search**
USPC D21/696, 694; D8/395; D6/312; 482/4; D13/162, 169; D14/258, 224, 257
CPC A63B 71/0622; A63B 22/0605; A63B 2225/50; A63B 2225/20; A63B 24/0087
See application file for complete search history.

(56) **References Cited**

U.S. PATENT DOCUMENTS

D372,371 S	8/1996	Grove	
D427,156 S	6/2000	Arnold	
D429,509 S	8/2000	Garza	
D444,828 S	7/2001	Matsumoto	
D456,053 S	4/2002	Garza	
D459,721 S *	7/2002	Gonopolskaya D14/257
D497,158 S *	10/2004	Pietras D14/257
D503,400 S *	3/2005	Quilling, II D14/224
D519,995 S *	5/2006	Quilling, II D12/415

D526,370 S	8/2006	Bingham	
D536,046 S	1/2007	Bingham	
D547,401 S	7/2007	Olason	
D559,801 S	1/2008	Olason	
D578,584 S *	10/2008	Bingham D21/696
7,435,202 B2	10/2008	Daly et al.	
D585,506 S	1/2009	Olason	
7,476,181 B1	1/2009	Honda	
D589,098 S	3/2009	Horita	
D591,368 S	4/2009	Olason	
7,846,070 B2	12/2010	Oglesby et al.	

(Continued)

OTHER PUBLICATIONS

“Extra motivation to keep your members moving”, PRECOR, <https://www.precor.com/en-us/entertainment-options>.

Primary Examiner — Philip S Hyder
Assistant Examiner — Ryan P Harvey
(74) *Attorney, Agent, or Firm* — Andrus Intellectual Property Law, LLP

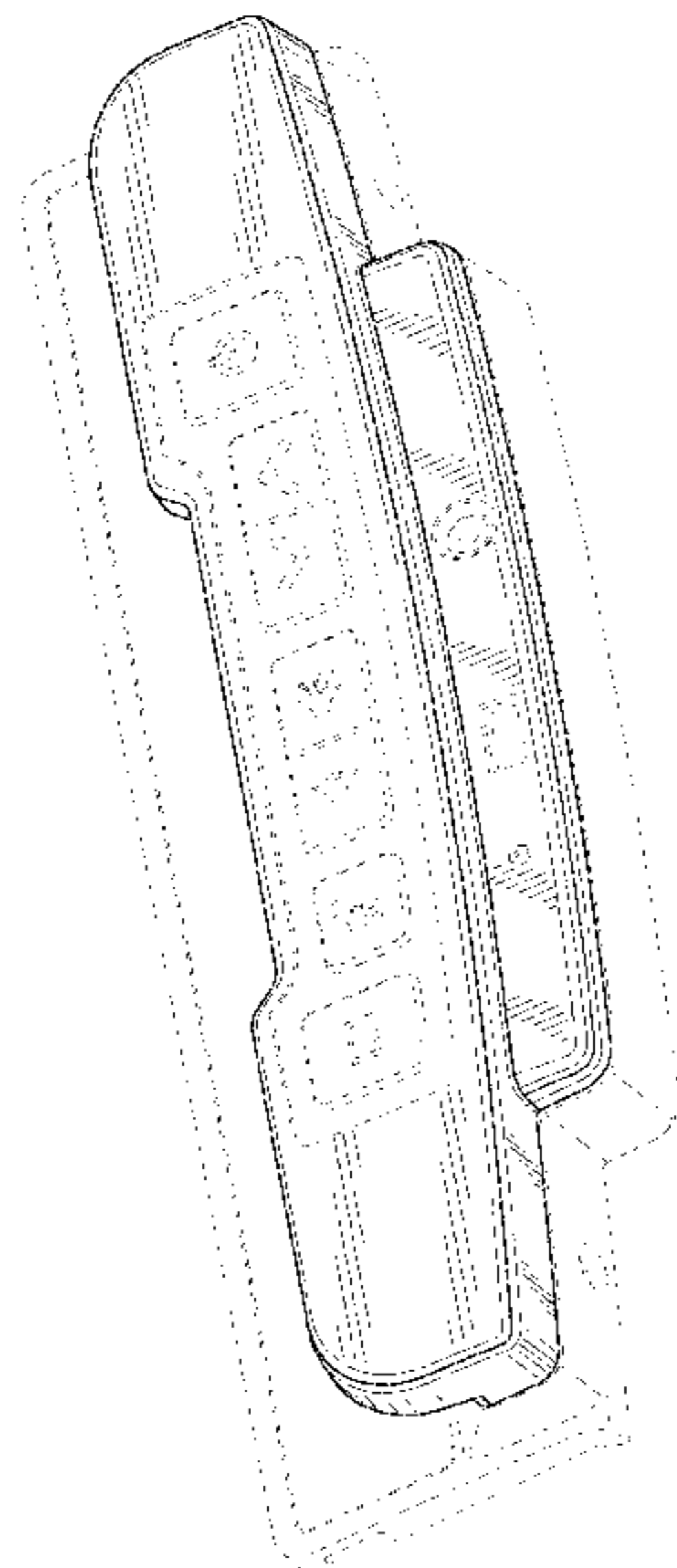
(57) **CLAIM**

I claim the ornamental design for a removable media rack for exercise console, as shown and described.

DESCRIPTION

FIG. 1 is a front perspective view of the removable media rack for an exercise console;
FIG. 2 is a back perspective view thereof;
FIG. 3 is a front elevation view thereof;
FIG. 4 is a back elevation view thereof;
FIG. 5 is a right elevation view thereof;
FIG. 6 is a left elevation view thereof;
FIG. 7 is a top plan view thereof; and,
FIG. 8 is a bottom plan view thereof.
The broken lines in the FIGURES showing portions of the removable media rack for exercise console depict environment and form no part of the claim.

1 Claim, 6 Drawing Sheets



(56)

References Cited

U.S. PATENT DOCUMENTS

D639,794 S	*	6/2011	Fiore, IV	D14/258
D643,077 S		8/2011	Olason	
D643,484 S		8/2011	Olason	
D651,264 S		12/2011	Olason	
D663,367 S		7/2012	Olason	
D709,265 S		7/2014	Lee	
2008/0242511 A1		10/2008	Munoz et al.	
2015/0306456 A1		10/2015	Pasini	

* cited by examiner

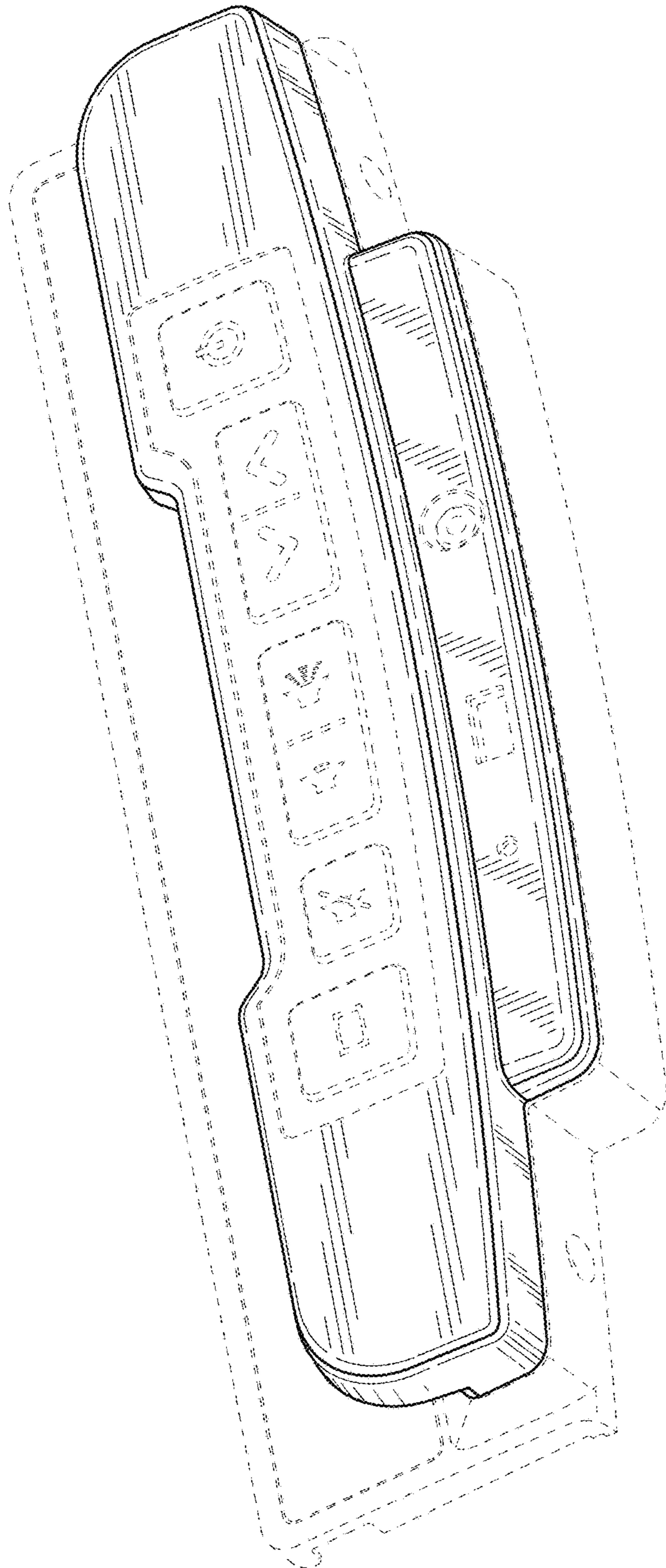


FIG. 1

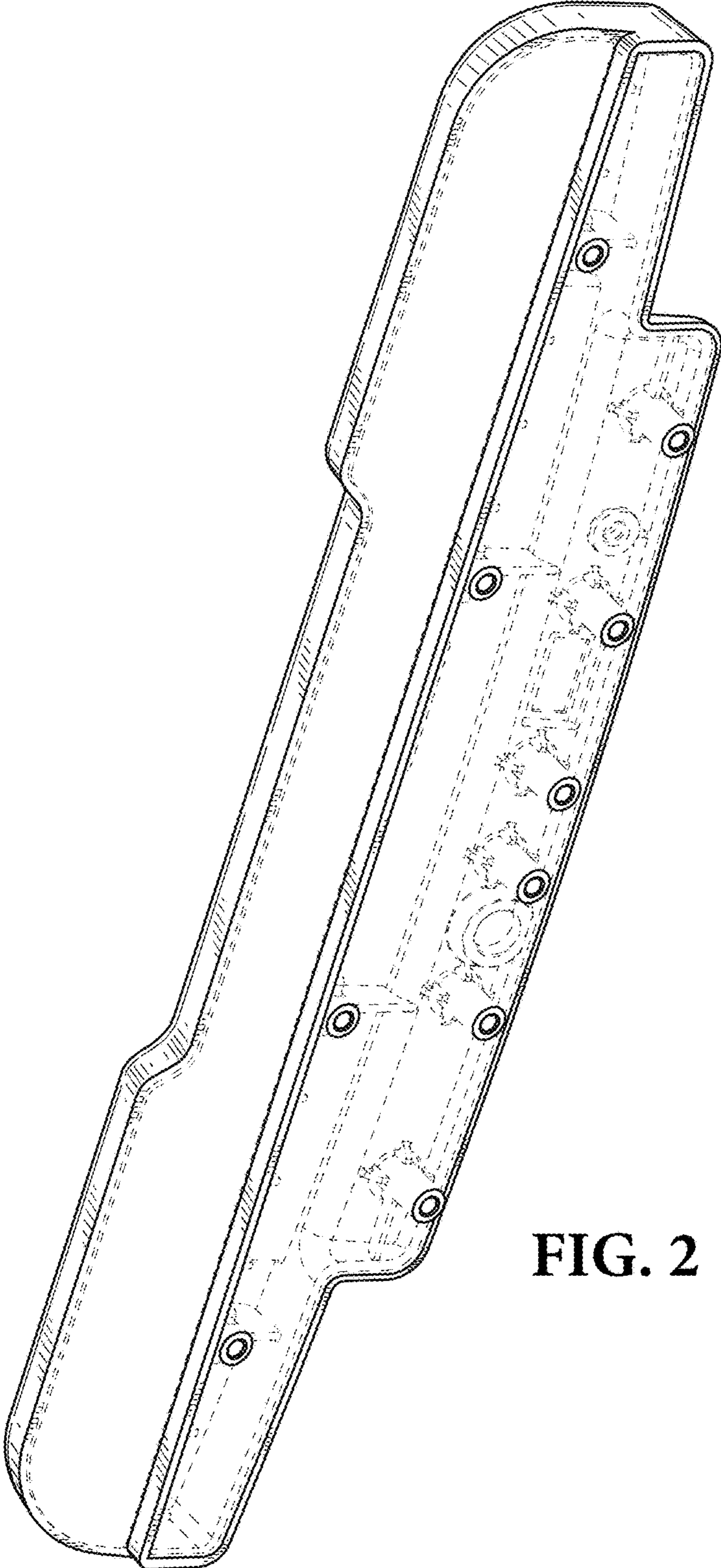


FIG. 2

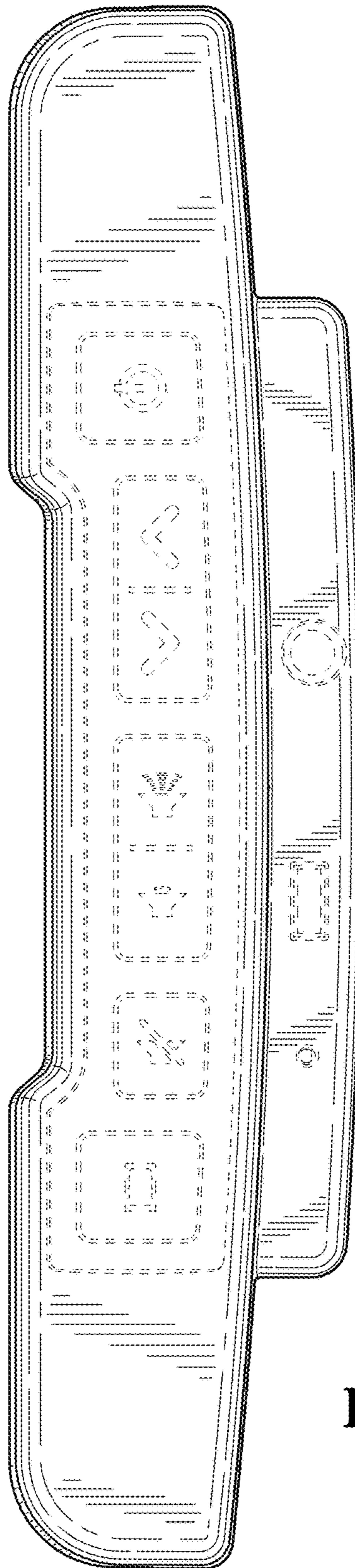


FIG. 3

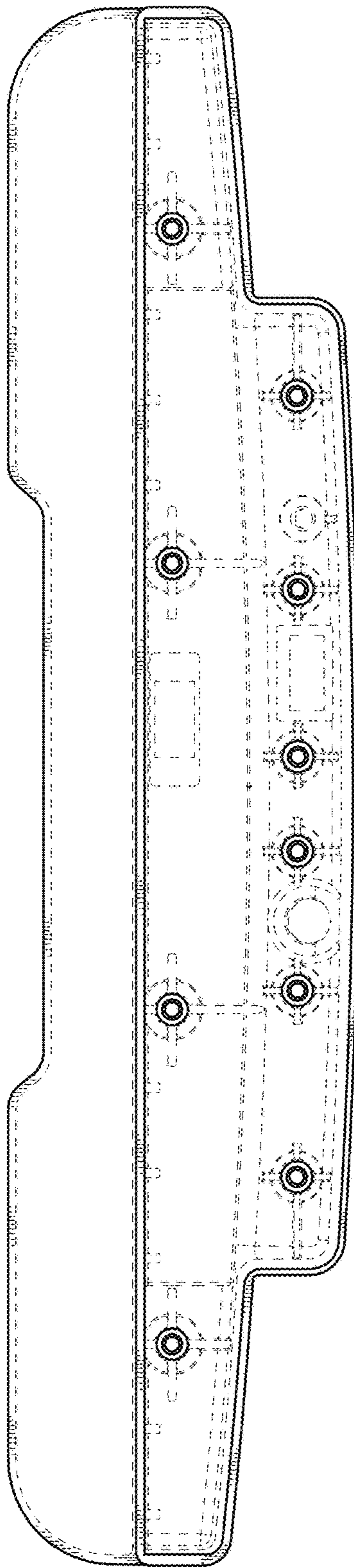


FIG. 4

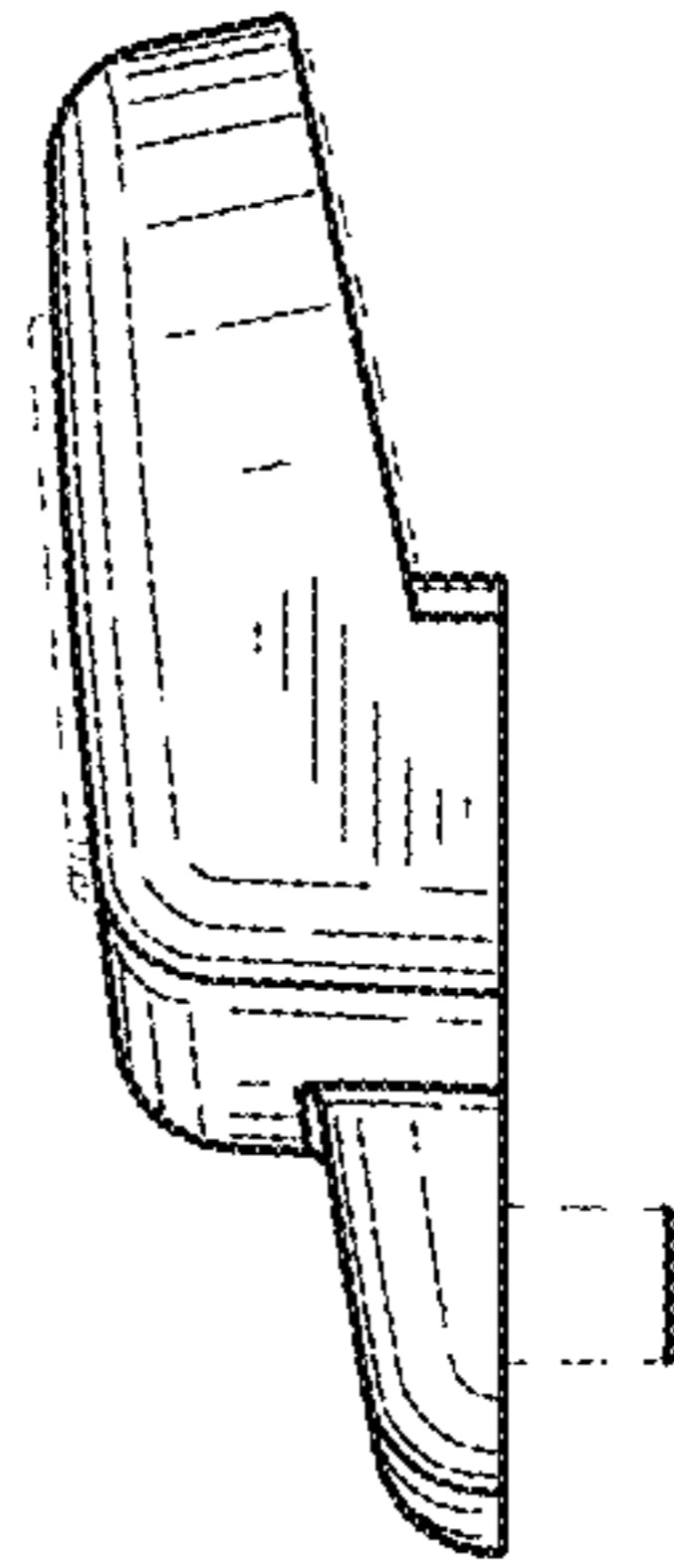


FIG. 5

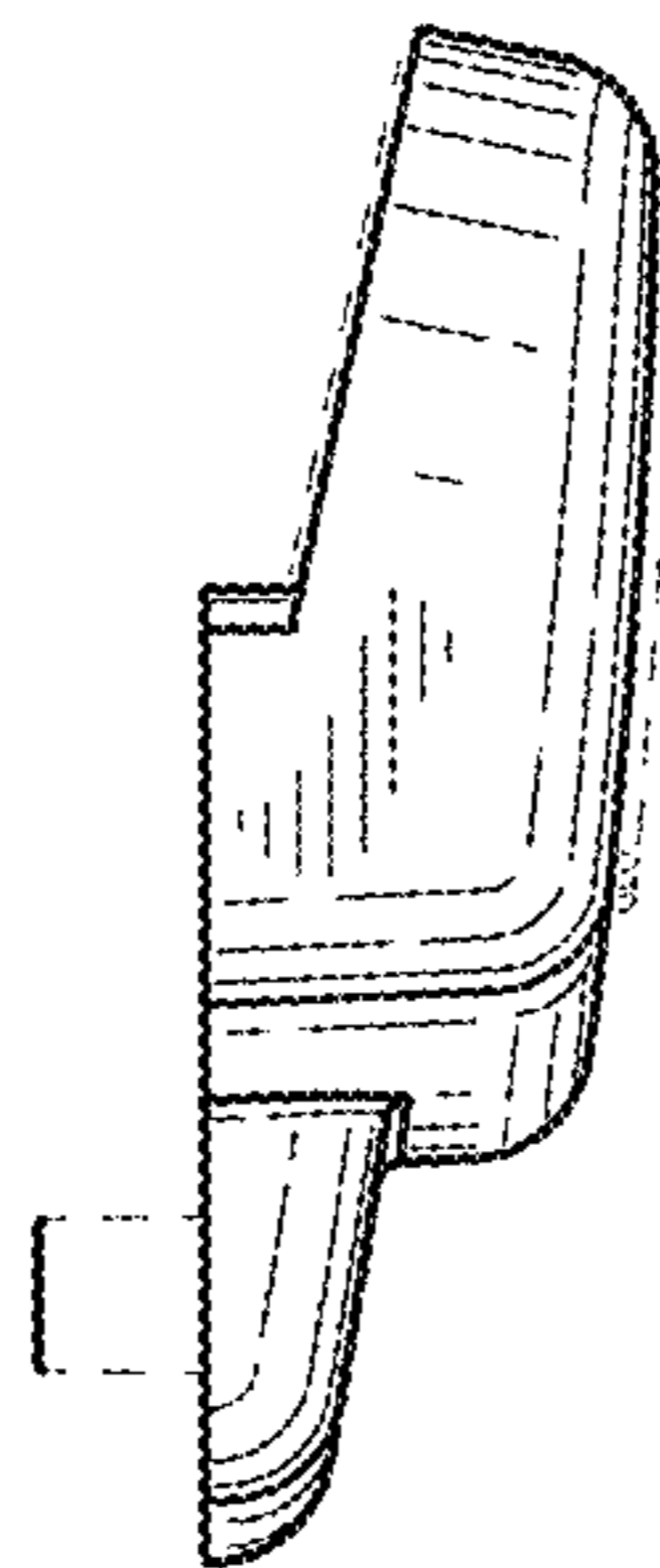


FIG. 6

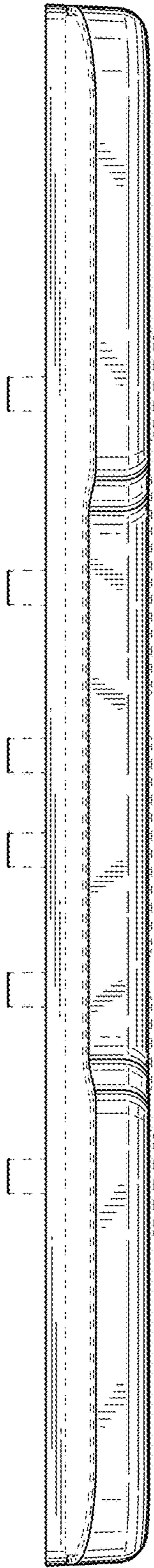


FIG. 7

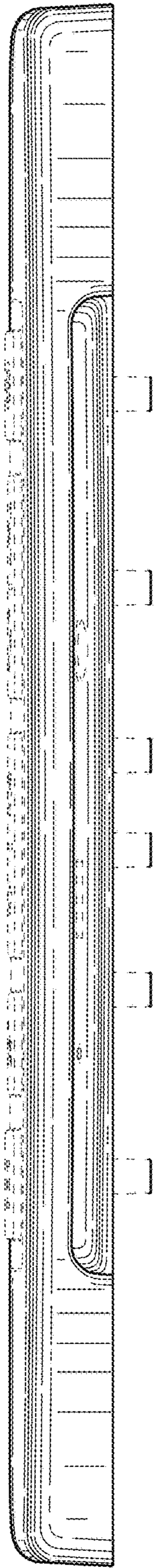


FIG. 8