



US00D828468S

(12) **United States Design Patent** (10) **Patent No.:** **US D828,468 S**
Blum (45) **Date of Patent:** **** Sep. 11, 2018**

(54) **REMOVABLE MEDIA RACK FOR EXERCISE CONSOLE**

(71) Applicant: **Brunswick Corporation**, Mettawa, IL (US)

(72) Inventor: **Matthew P. Blum**, Chicago, IL (US)

(73) Assignee: **Brunswick Corporation**, Mettawa, IL (US)

(**) Term: **15 Years**

(21) Appl. No.: **29/636,689**

(22) Filed: **Feb. 9, 2018**

Related U.S. Application Data

(62) Division of application No. 29/554,263, filed on Feb. 10, 2016, now Pat. No. Des. 813,325.

(51) **LOC (11) Cl.** **21-02**

(52) **U.S. Cl.**
USPC **D21/696**

(58) **Field of Classification Search**
USPC D21/696, 694; D8/395; D6/312; 482/4; D13/162, 169; D14/258, 224, 257
CPC A63B 71/0622; A63B 22/0605; A63B 2225/50; A63B 2225/20; A63B 24/0087
See application file for complete search history.

(56) **References Cited**

U.S. PATENT DOCUMENTS

D372,371 S	8/1996	Grove	
D427,156 S	6/2000	Arnold	
D429,509 S	8/2000	Garza	
D444,828 S	7/2001	Matsumoto	
D456,053 S	4/2002	Garza	
D459,721 S *	7/2002	Gonopolskaya	D14/257
D497,158 S *	10/2004	Pietras	D14/257
D503,400 S *	3/2005	Quilling, II	D14/224
D519,995 S *	5/2006	Quilling, II	D12/415

D526,370 S	8/2006	Bingham	
D536,046 S	1/2007	Bingham	
D547,401 S	7/2007	Olason	
D559,801 S	1/2008	Olason	
D578,584 S *	10/2008	Bingham	D21/696
7,435,202 B2	10/2008	Daly et al.	
D585,506 S	1/2009	Olason	
7,476,181 B1	1/2009	Honda	
D589,098 S	3/2009	Horita	

(Continued)

OTHER PUBLICATIONS

“Extra motivation to keep your members moving”, PRECOR, <https://www.precor.com/en-us/entertainment-options>.

Primary Examiner — Philip S Hyder
Assistant Examiner — Ryan P Harvey

(74) *Attorney, Agent, or Firm* — Andrus Intellectual Property Law, LLP

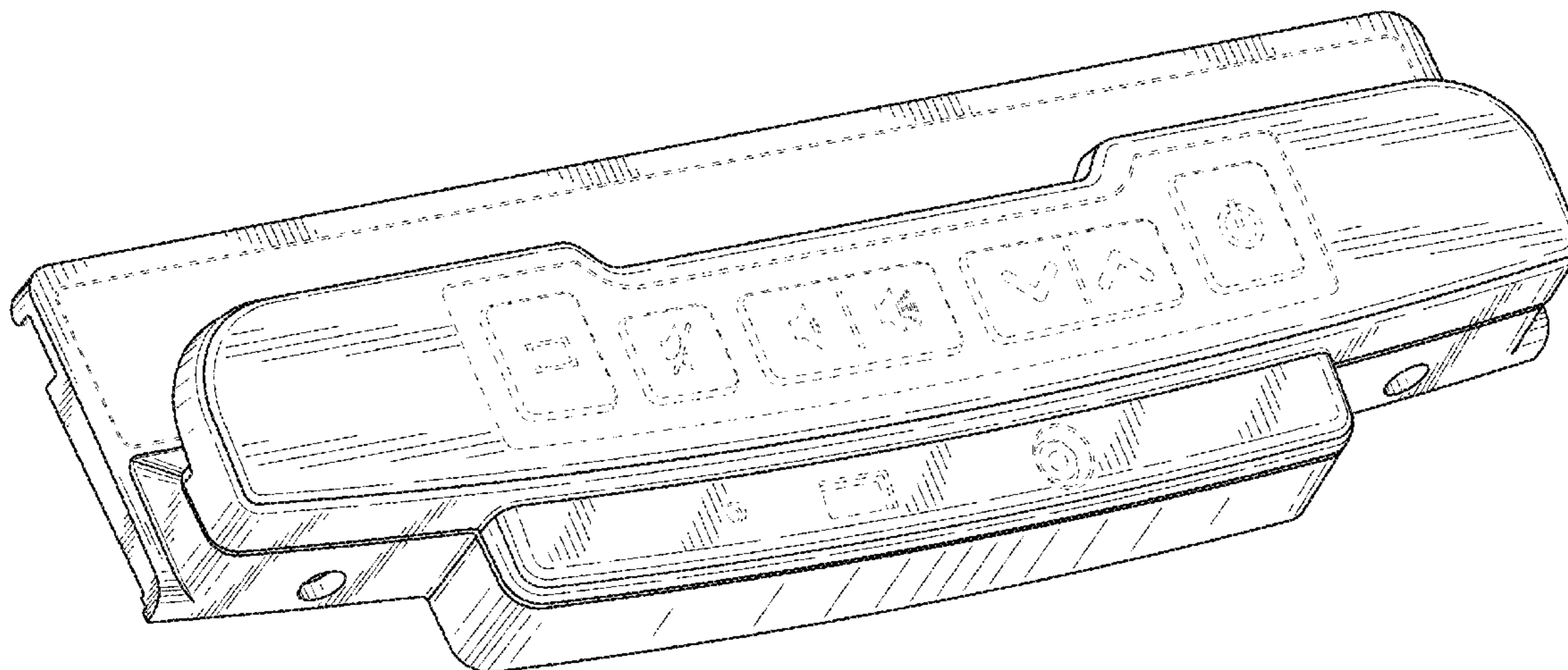
(57) **CLAIM**

I claim the ornamental design for a removable media rack for exercise console, as shown and described.

DESCRIPTION

FIG. 1 is a front perspective view of a removable media rack for an exercise console;
FIG. 2 is a back perspective view thereof;
FIG. 3 is a front elevation view thereof;
FIG. 4 is a back elevation view thereof;
FIG. 5 is a right elevation view thereof;
FIG. 6 is a left elevation view thereof;
FIG. 7 is a top plan view thereof;
FIG. 8 is a bottom plan view thereof; and,
FIG. 9 is a front perspective view thereof depicting the embodiment in use with an exercise console.
The broken lines in the FIGURES showing portions of the removable media rack for exercise console depict environment and form no part of the claim.

1 Claim, 7 Drawing Sheets



(56)

References Cited

U.S. PATENT DOCUMENTS

D591,368 S	4/2009	Olason	
7,846,070 B2	12/2010	Oglesby et al.	
D639,794 S *	6/2011	Fiore, IV D14/258
D643,077 S	8/2011	Olason	
D643,484 S	8/2011	Olason	
D651,264 S	12/2011	Olason	
D663,367 S	7/2012	Olason	
D709,265 S	7/2014	Lee	
2008/0242511 A1	10/2008	Munoz et al.	
2015/0306456 A1	10/2015	Pasini	

* cited by examiner

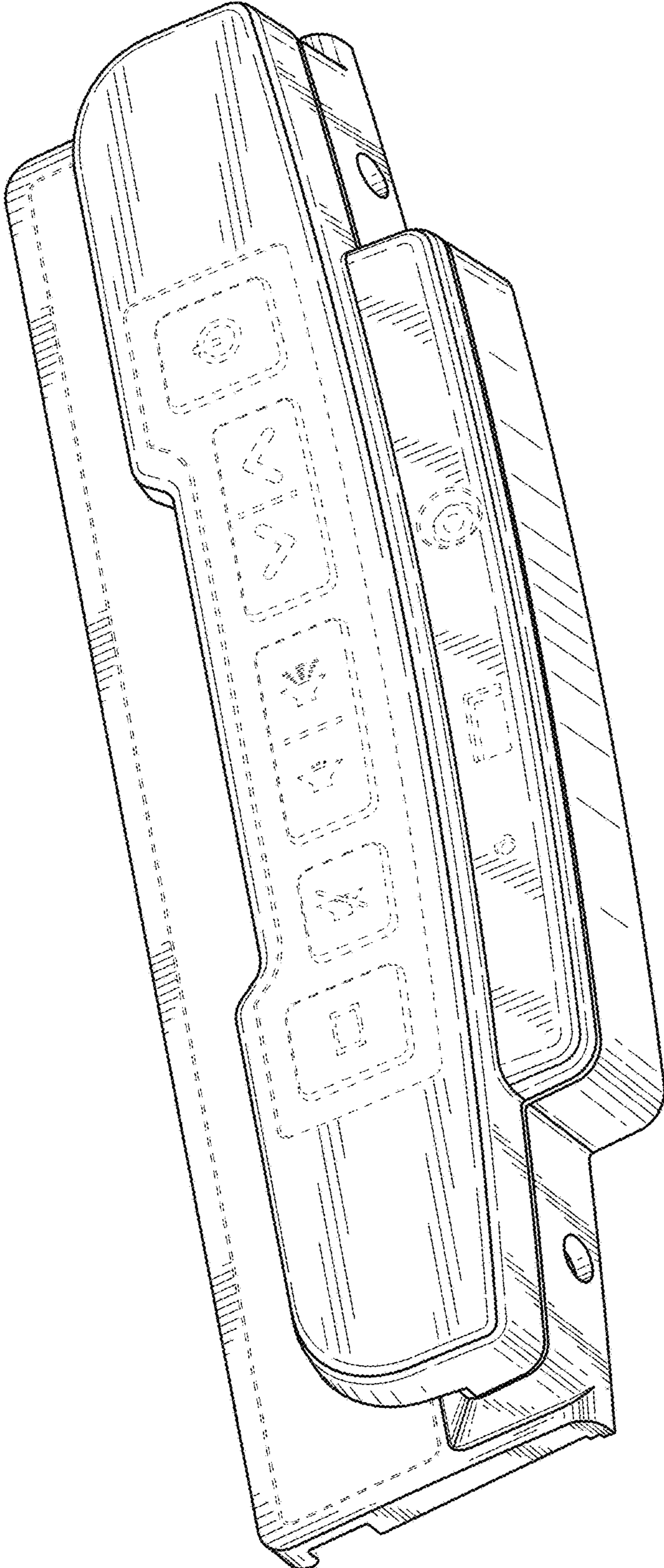


FIG. 1

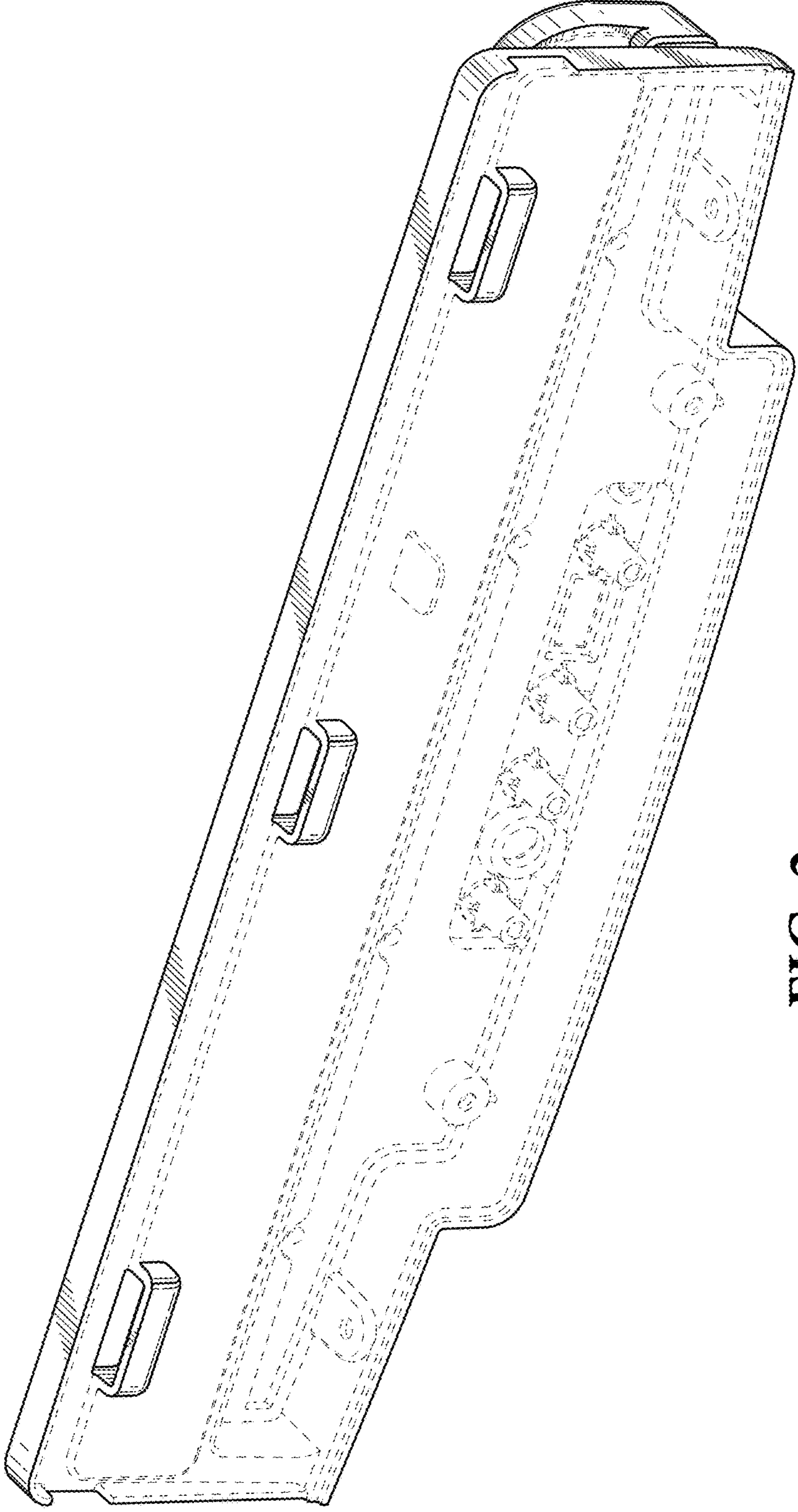


FIG. 2

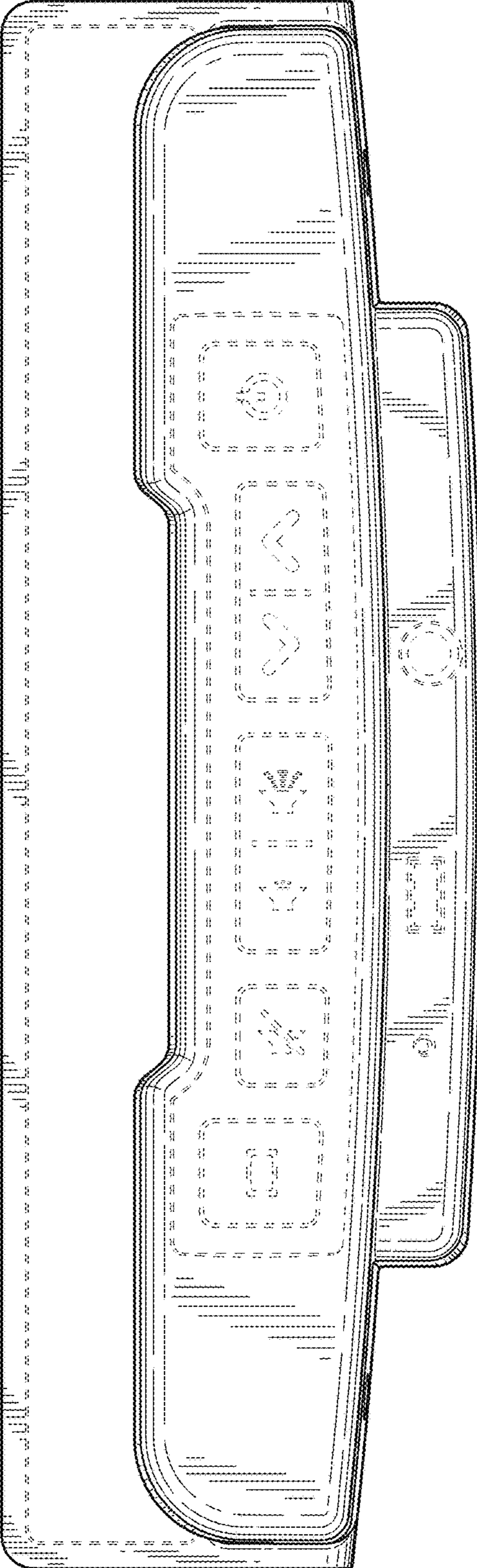


FIG. 3

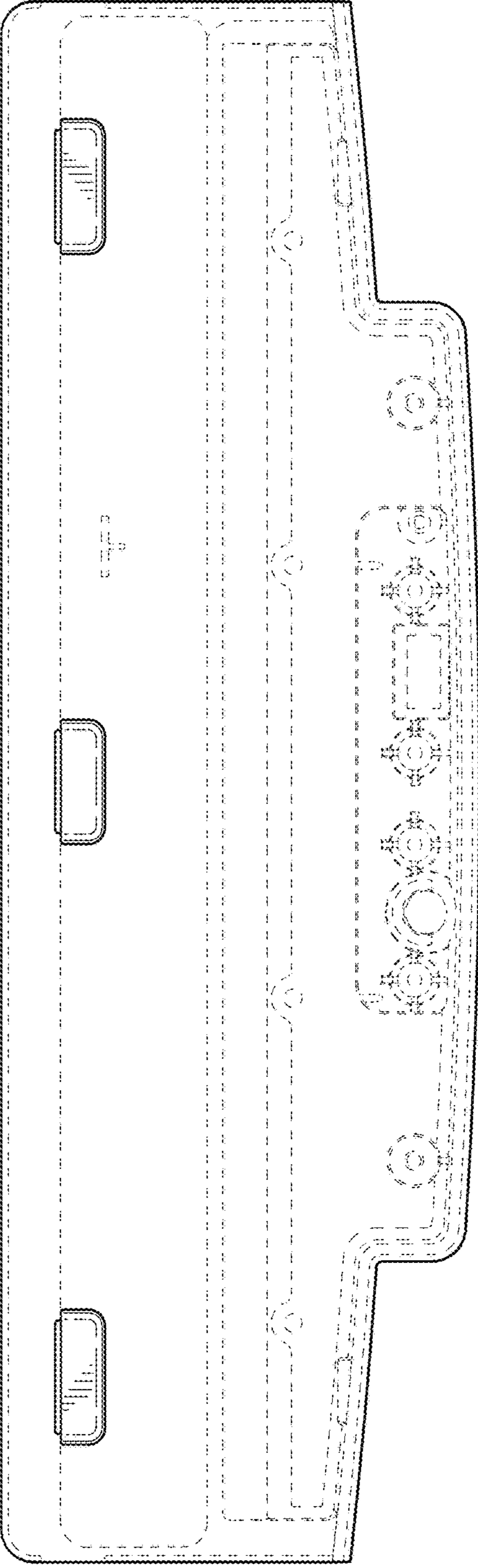


FIG. 4

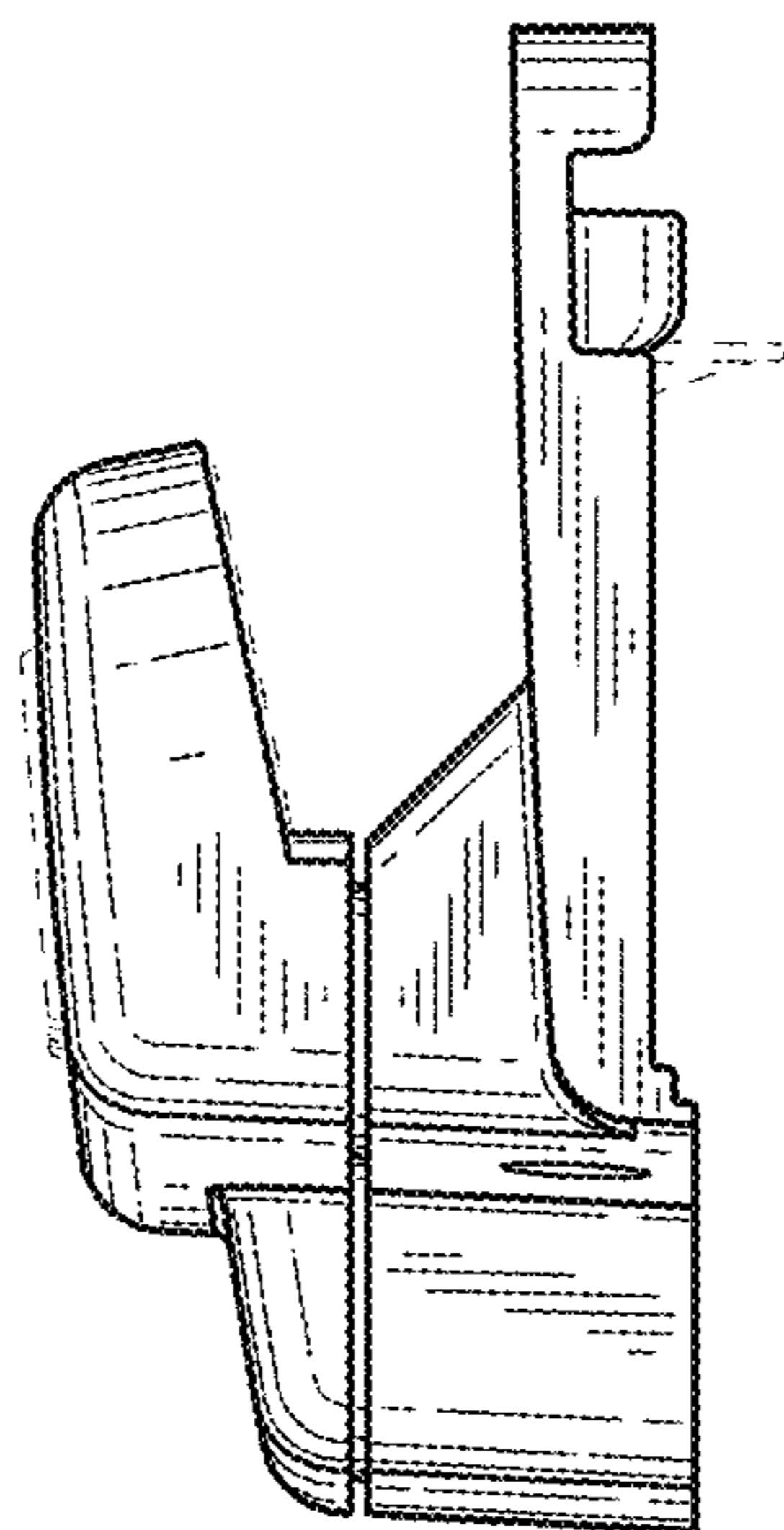


FIG. 5

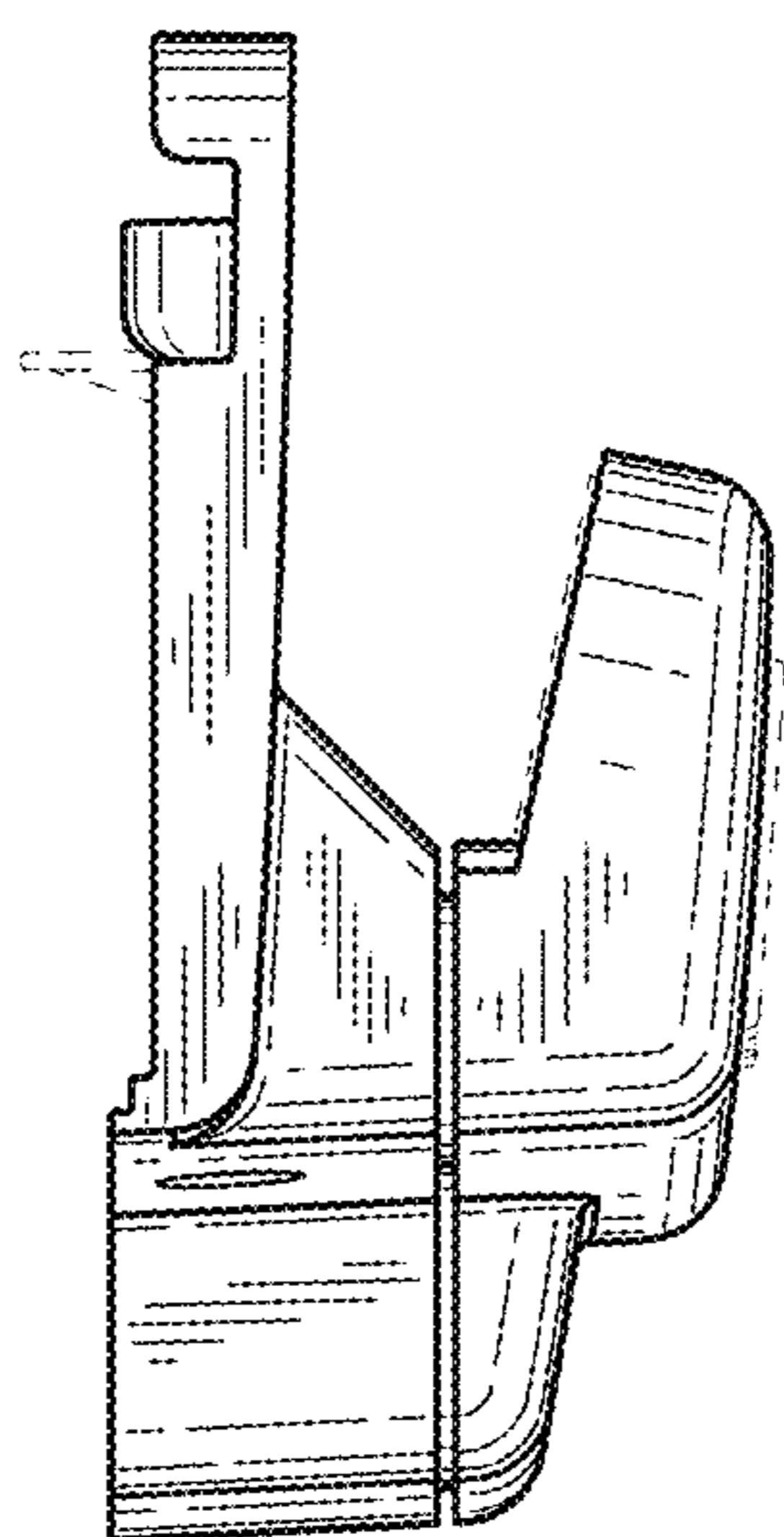


FIG. 6

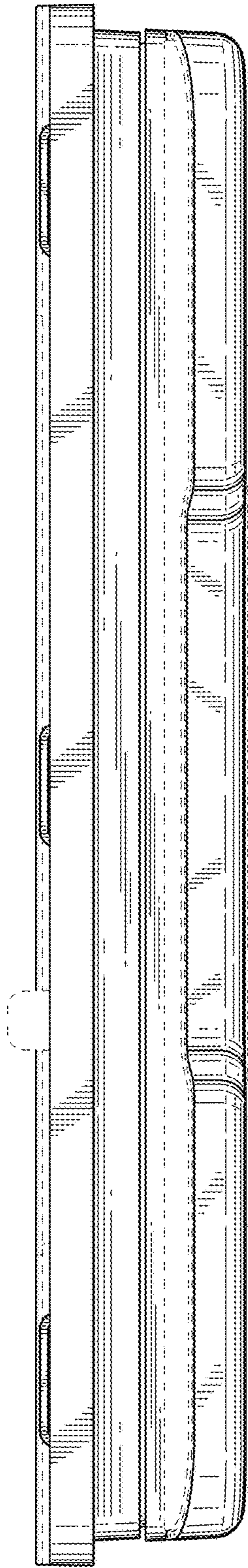


FIG. 7

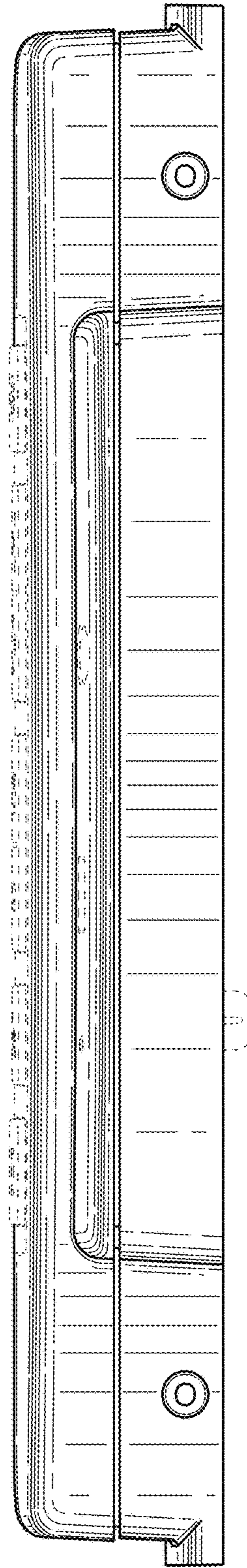


FIG. 8

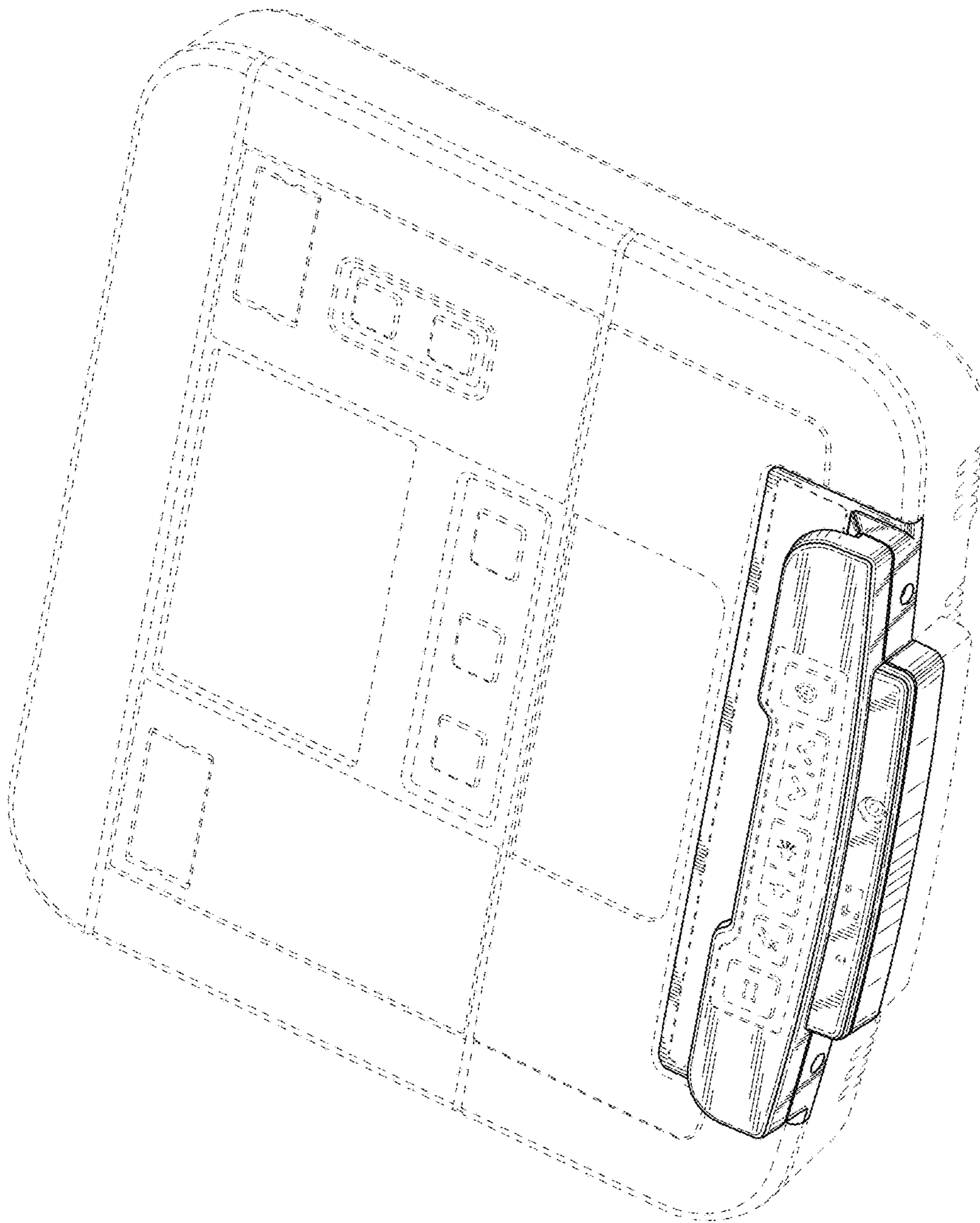


FIG. 9