



US00D828467S

(12) **United States Design Patent**
Karvandi

(10) **Patent No.:** **US D828,467 S**

(45) **Date of Patent:** **** Sep. 11, 2018**

(54) **EXERCISE STRAP**

(71) Applicant: **Kusha Karvandi**, Escondido, CA (US)

(72) Inventor: **Kusha Karvandi**, Escondido, CA (US)

(**) Term: **15 Years**

(21) Appl. No.: **29/641,826**

(22) Filed: **Mar. 26, 2018**

Related U.S. Application Data

(63) Continuation of application No. 29/580,857, filed on Oct. 13, 2016, now abandoned.

(51) **LOC (11) Cl.** **21-02**

(52) **U.S. Cl.**
USPC **D21/662**

(58) **Field of Classification Search**
USPC D21/662, 683-685, 692, 694; 482/121, 482/122, 123, 124, 125, 126, 127, 128, 482/131, 148; D32/35, 40; D28/9, 63; D6/608, 610; D24/189, 190, 212
CPC A63B 21/0552; A63B 2023/006; A44B 11/18
See application file for complete search history.

(56) **References Cited**

U.S. PATENT DOCUMENTS

D281,005 S * 10/1985 Larsen D21/694
D350,401 S * 9/1994 Kok D25/58

D427,651 S * 7/2000 Bodman D21/662
D437,623 S * 2/2001 Ormsby D21/662
D441,413 S * 5/2001 Cataldi, Jr. D21/662
D488,842 S * 4/2004 Mills D21/662
D558,842 S * 1/2008 Dore D21/683
D662,557 S * 6/2012 Nawracaj D21/683
D726,841 S * 4/2015 Wright D21/662
D759,993 S * 6/2016 Stinson D6/610
D761,924 S * 7/2016 Sato D21/662
D788,859 S * 6/2017 Virtusio D21/662

* cited by examiner

Primary Examiner — Cynthia Ramirez

Assistant Examiner — Michael A Maharajh

(74) *Attorney, Agent, or Firm* — Dunlap Bennett & Ludwig PLLC; Brendan E. Squire

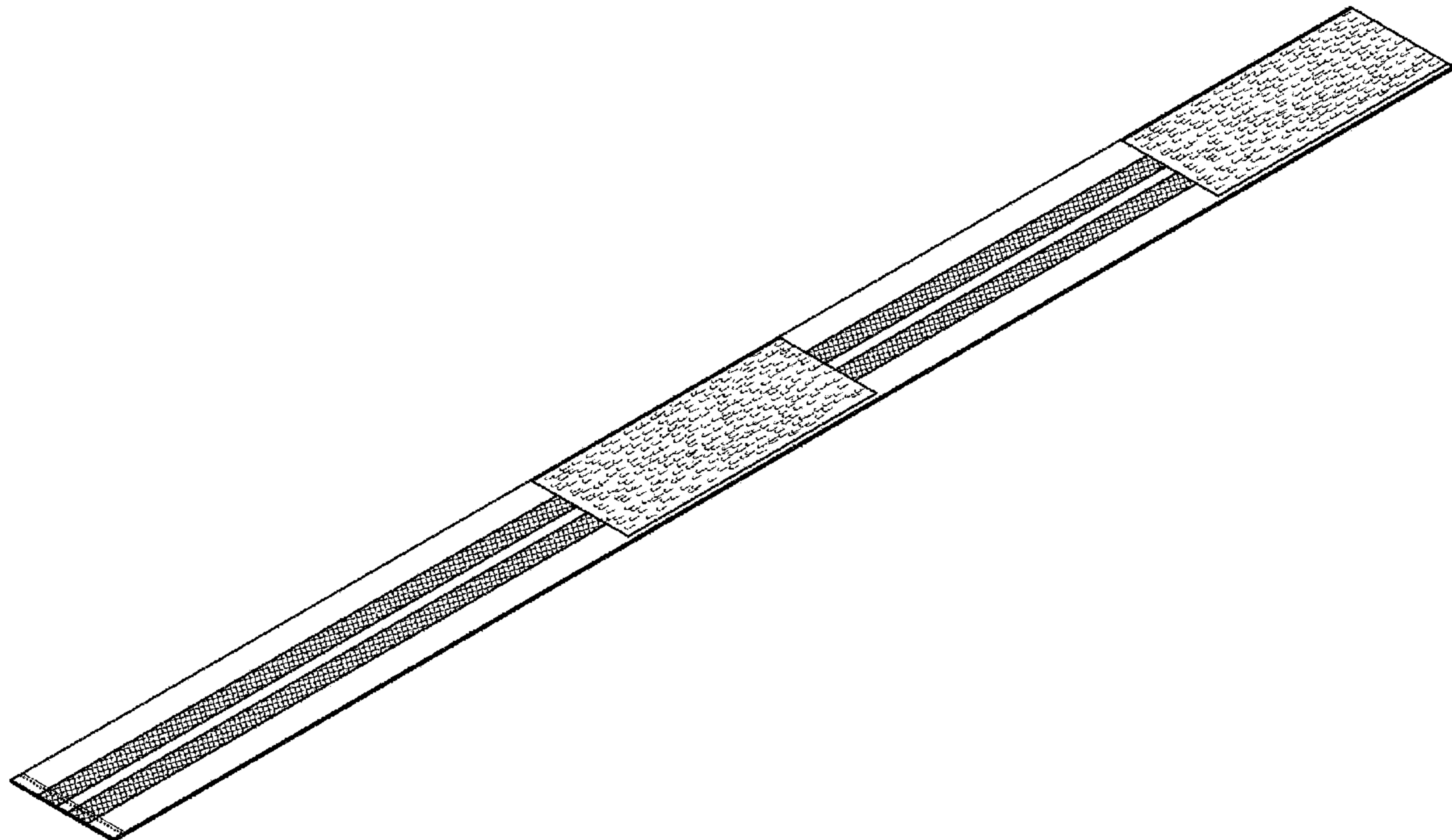
(57) **CLAIM**

The ornamental design for an exercise strap, as shown and described.

DESCRIPTION

FIG. 1 is a front perspective view of an exercise strap showing my new design;
FIG. 2 is a front elevational view thereof;
FIG. 3 is a rear elevational view thereof; and,
FIG. 4 is a rear perspective view thereof.
The broken lines in the drawings show stitching that form no part of the claimed design.

1 Claim, 3 Drawing Sheets



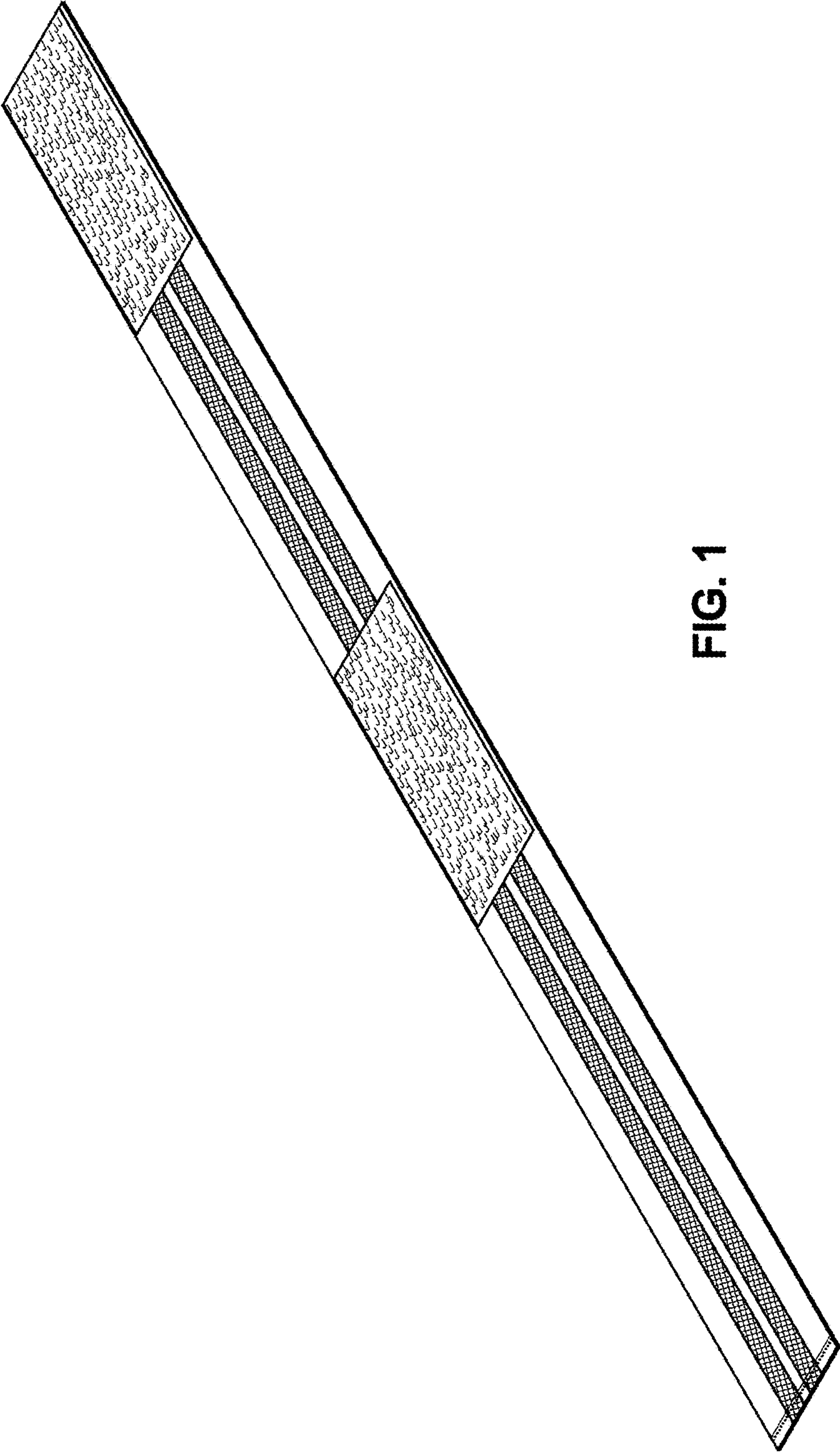


FIG. 1

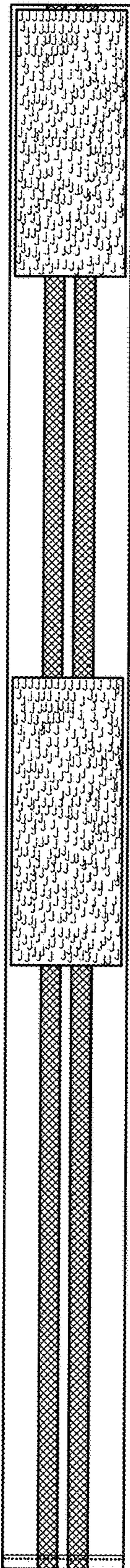


FIG. 2

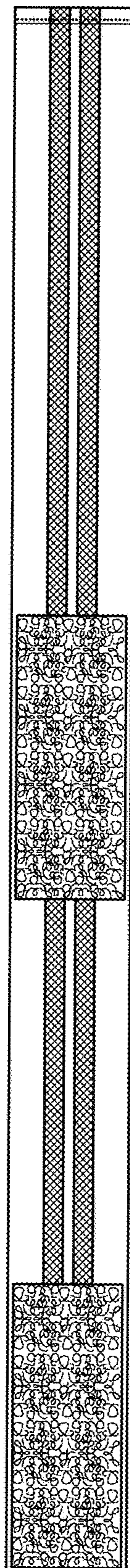


FIG. 3

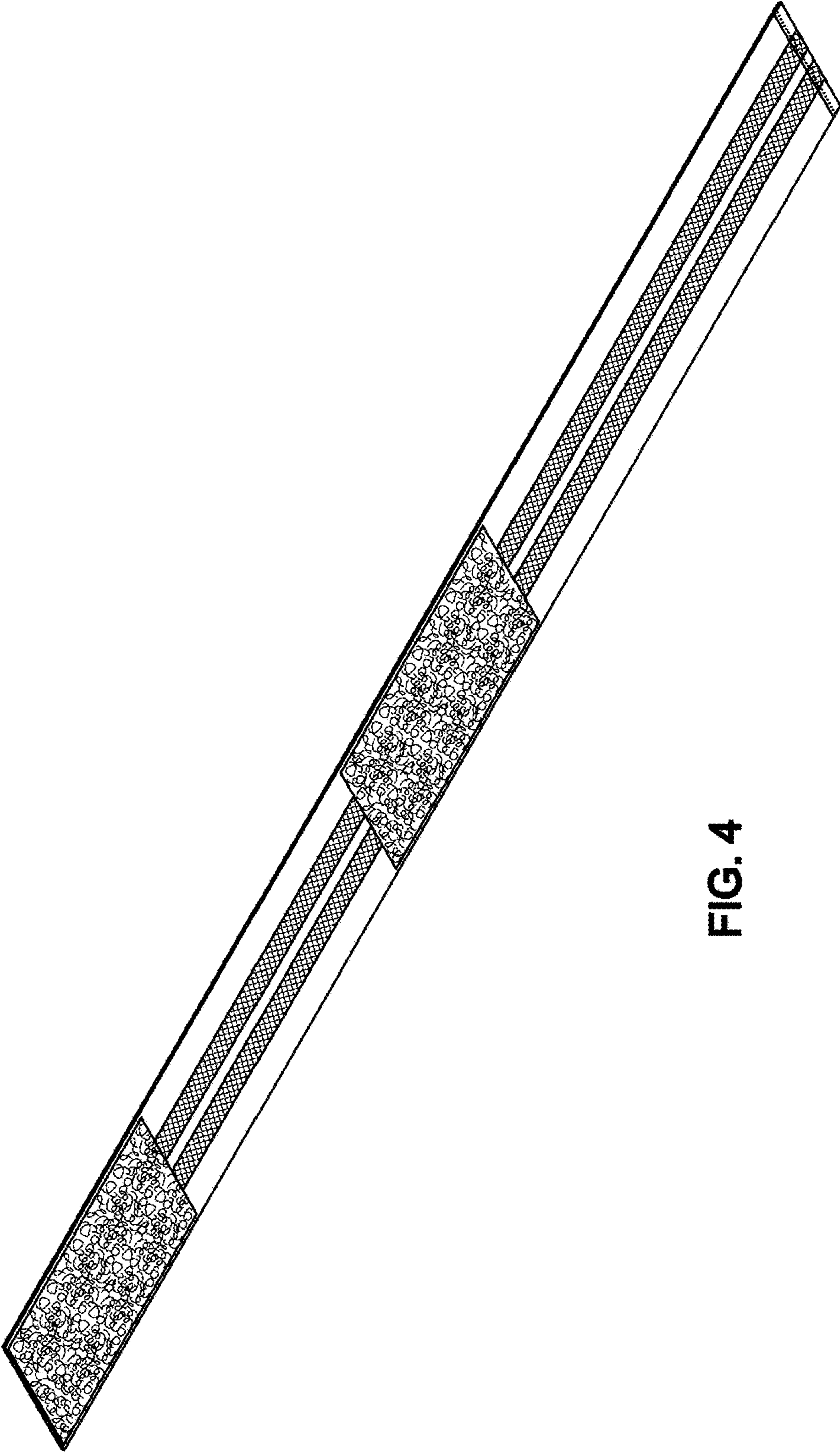


FIG. 4