



US00D828463S

(12) **United States Design Patent** (10) **Patent No.:** **US D828,463 S**
Xiao (45) **Date of Patent:** **** Sep. 11, 2018**

(54) **REMOTE CONTROL**

(71) Applicant: **Guangdong Syma Model Aircraft Industrial Co., Ltd.**, Shantou (CN)

(72) Inventor: **Jiongliang Xiao**, Shantou (CN)

(73) Assignee: **GUANGDONG SYMA MODEL AIRCRAFT INDUSTRIAL CO., LTD.**, Shantou, Guangdong Province (CN)

(**) Term: **15 Years**

(21) Appl. No.: **29/577,327**

(22) Filed: **Sep. 12, 2016**

(51) **LOC (11) Cl.** **21-01**

(52) **U.S. Cl.**
USPC **D21/566**

(58) **Field of Classification Search**
USPC D21/324, 329, 333, 434, 513, 552, 559, D21/560, 566; D14/400, 401, 413, 415, D14/454, 217, 218, 358, 155; D13/158, D13/169

CPC A63H 30/00; A63H 30/02; A63H 30/04; A63H 30/06; G08C 17/00; G08C 17/02; G08C 2201/40; G08C 2201/93

See application file for complete search history.

(56) **References Cited**

U.S. PATENT DOCUMENTS

D374,694 S * 10/1996 Arai 446/456
D447,778 S * 9/2001 Bao D21/566

D456,050 S * 4/2002 Bao D21/566
D519,468 S * 4/2006 Khasminsky D13/168
D570,924 S * 6/2008 Wai D21/566
D723,705 S * 3/2015 Mininger D24/200
D774,933 S * 12/2016 Pecorari D10/104.1
D781,208 S * 3/2017 Li D12/345

* cited by examiner

Primary Examiner — Cynthia M. Chin

(74) *Attorney, Agent, or Firm* — Ming Chow; Sinorica, LLC

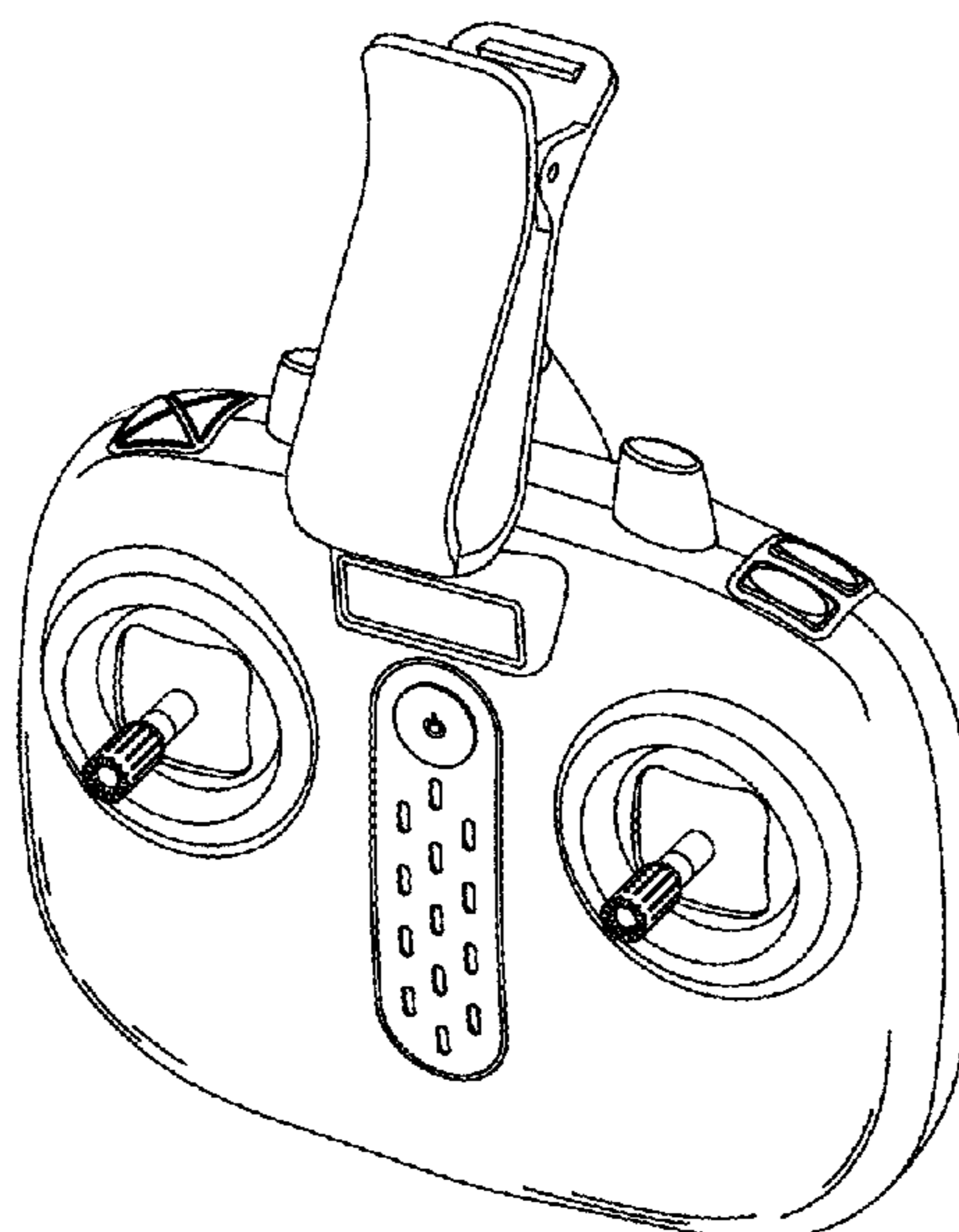
(57) **CLAIM**

The ornamental design for a remote control, as shown and described.

DESCRIPTION

FIG. 1 is a perspective view of the remote control showing my new design;
FIG. 2 is a front elevation view thereof;
FIG. 3 is a rear elevation view thereof;
FIG. 4 is left side view thereof;
FIG. 5 is right side view thereof;
FIG. 6 is a top plan view thereof;
FIG. 7 is a bottom plan view thereof; and,
FIG. 8 is perspective view of the remote control from another angle of view showing my new design.

1 Claim, 8 Drawing Sheets



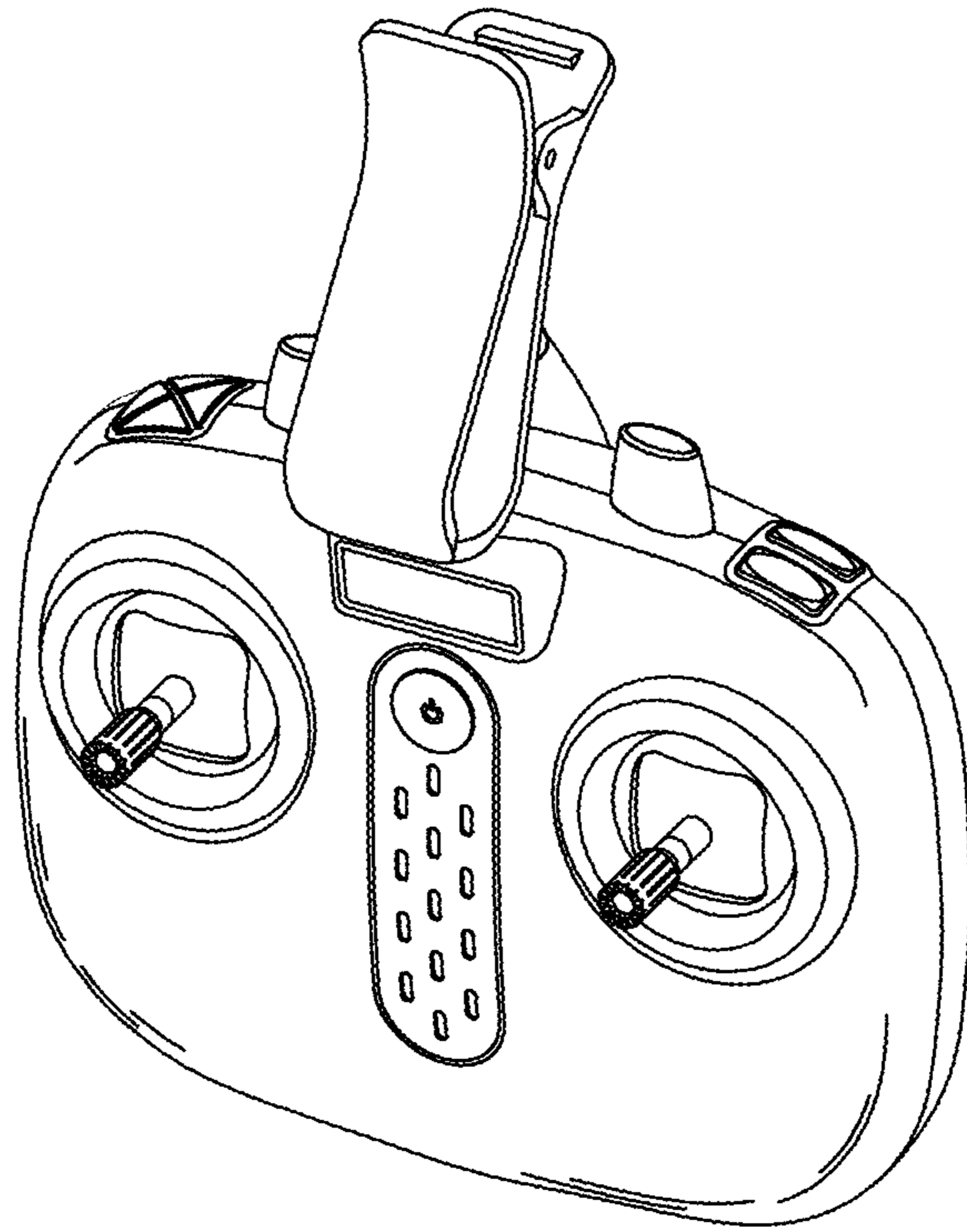


FIG.1

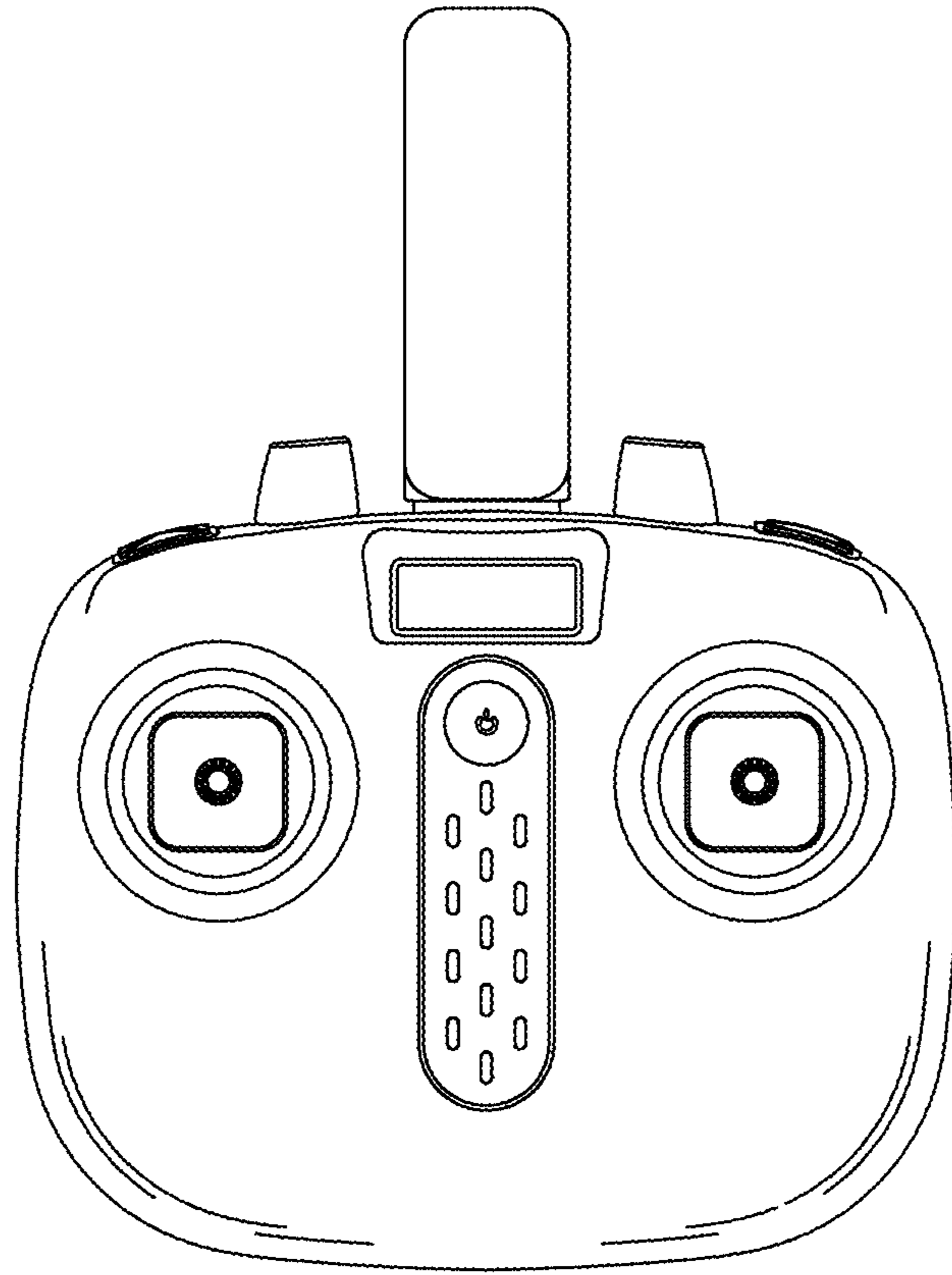


FIG.2

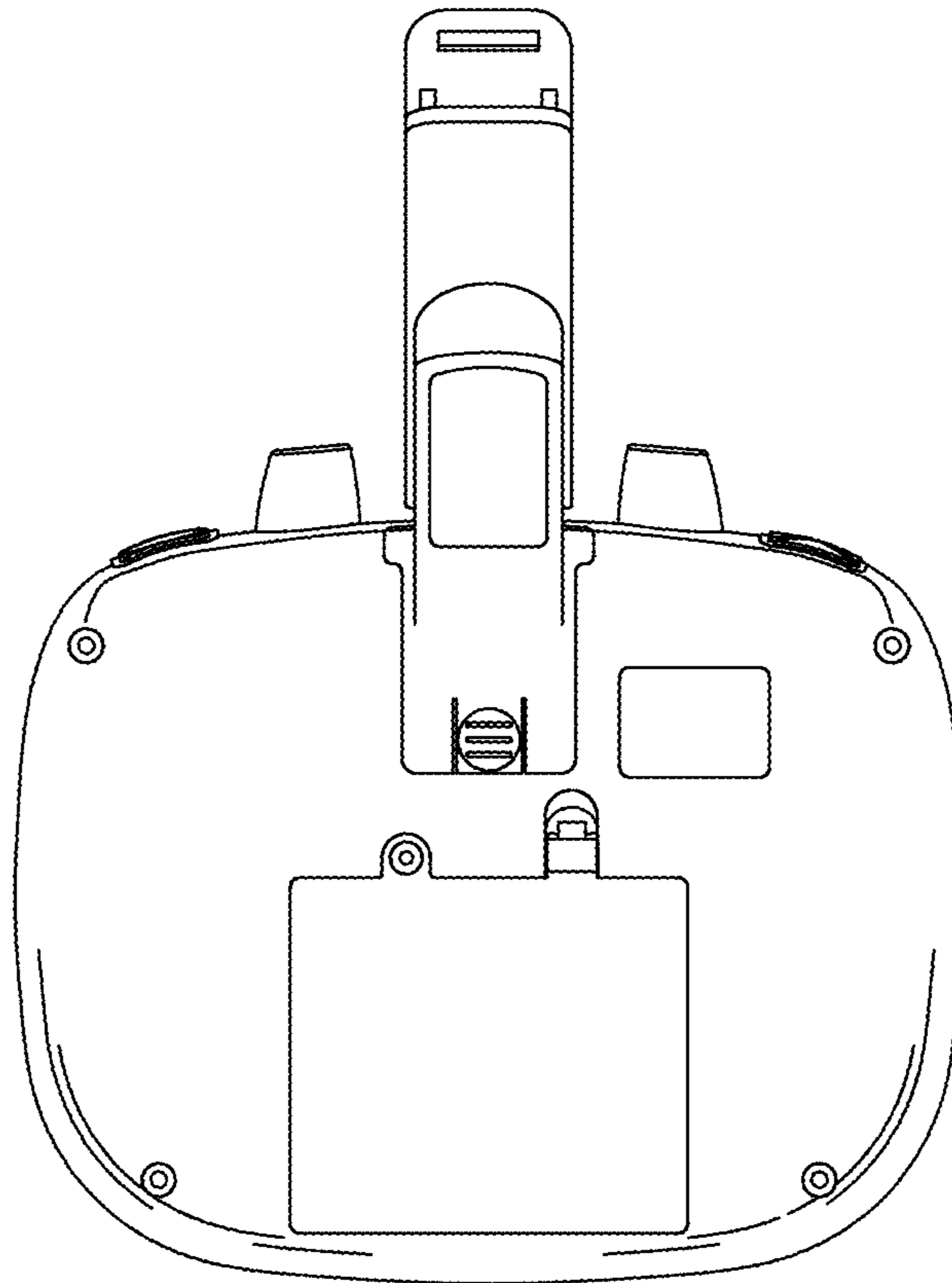


FIG.3

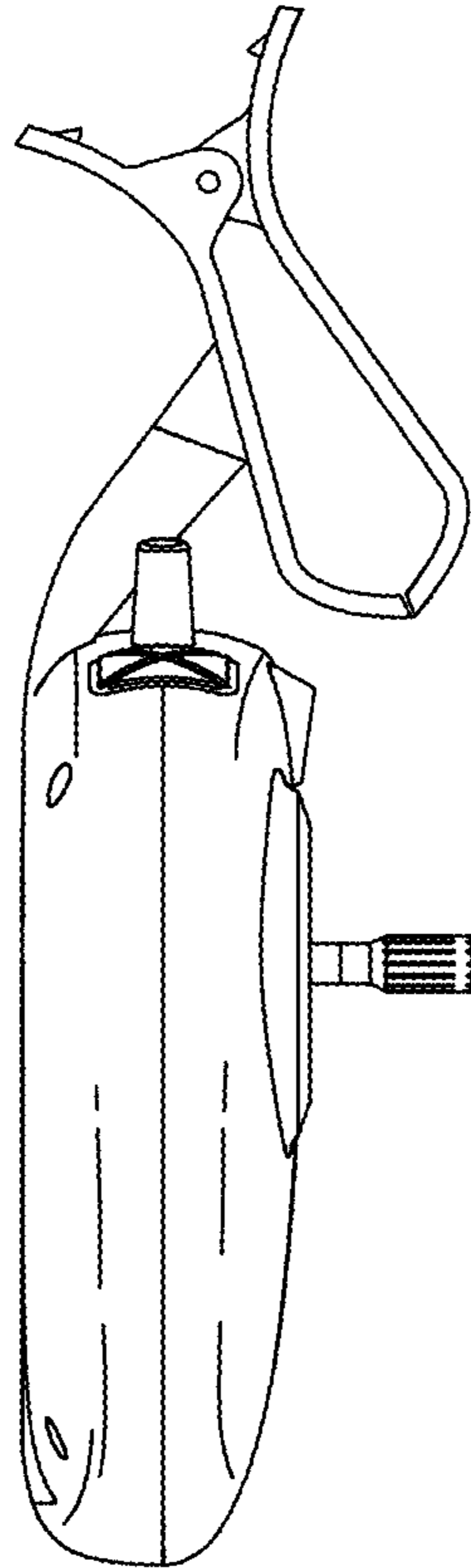


FIG.4

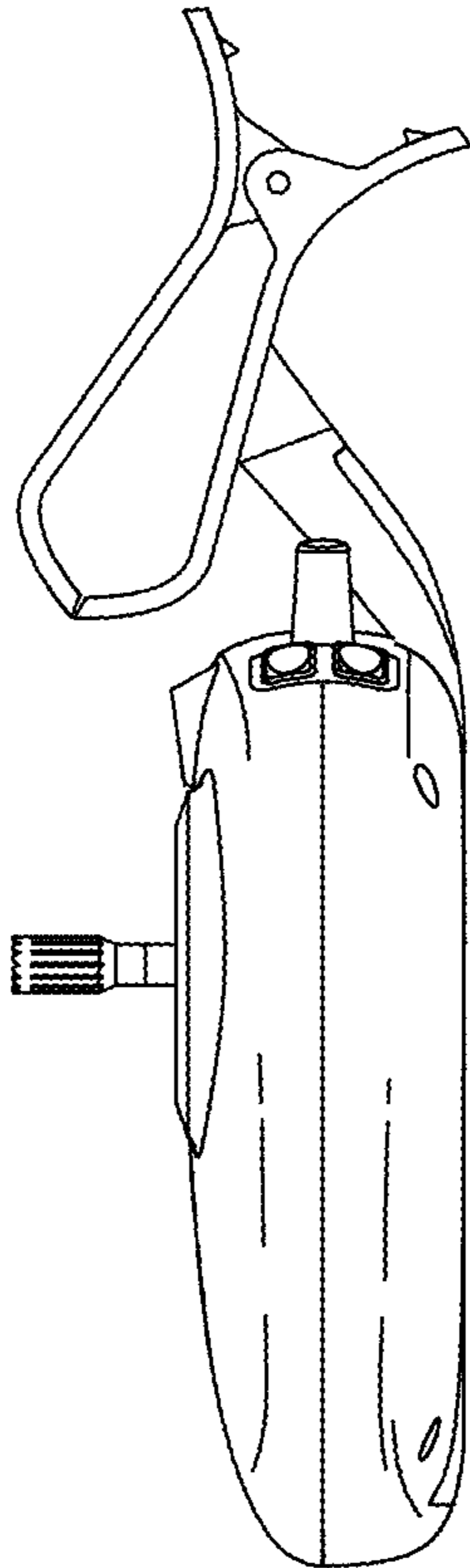


FIG.5

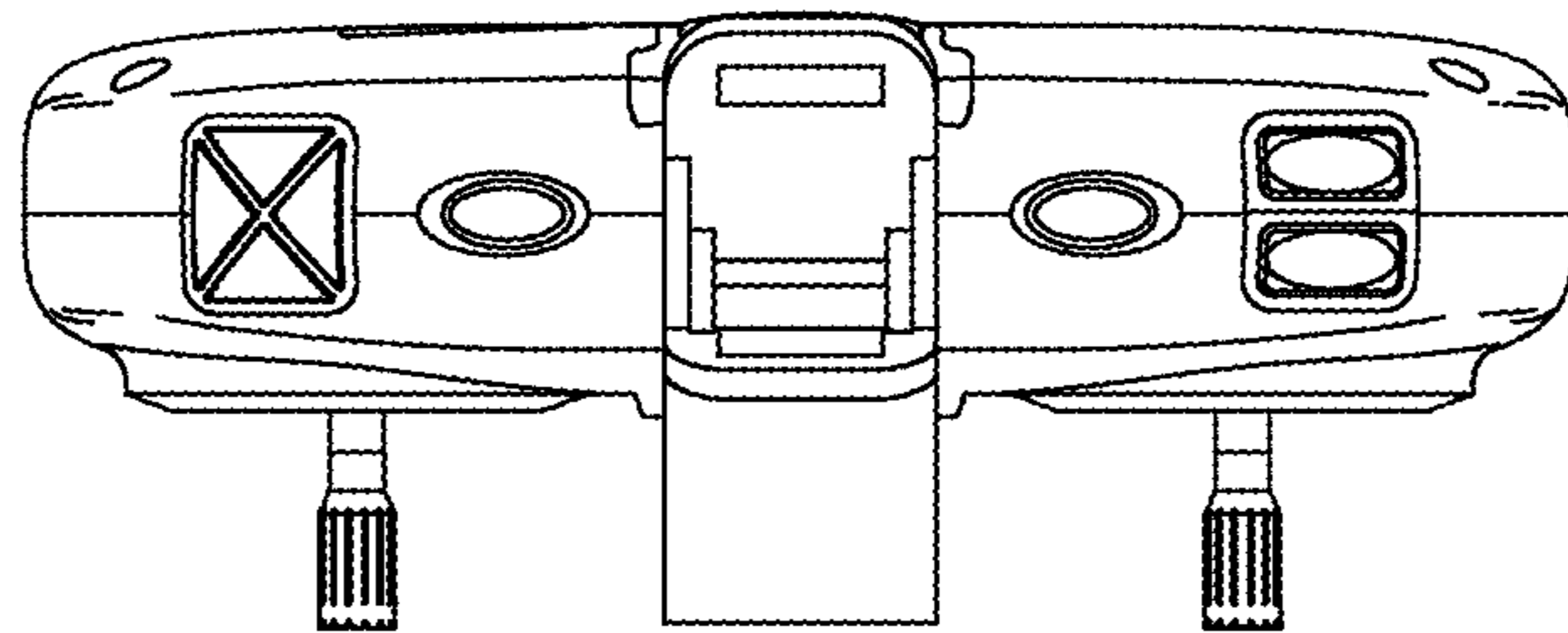


FIG.6

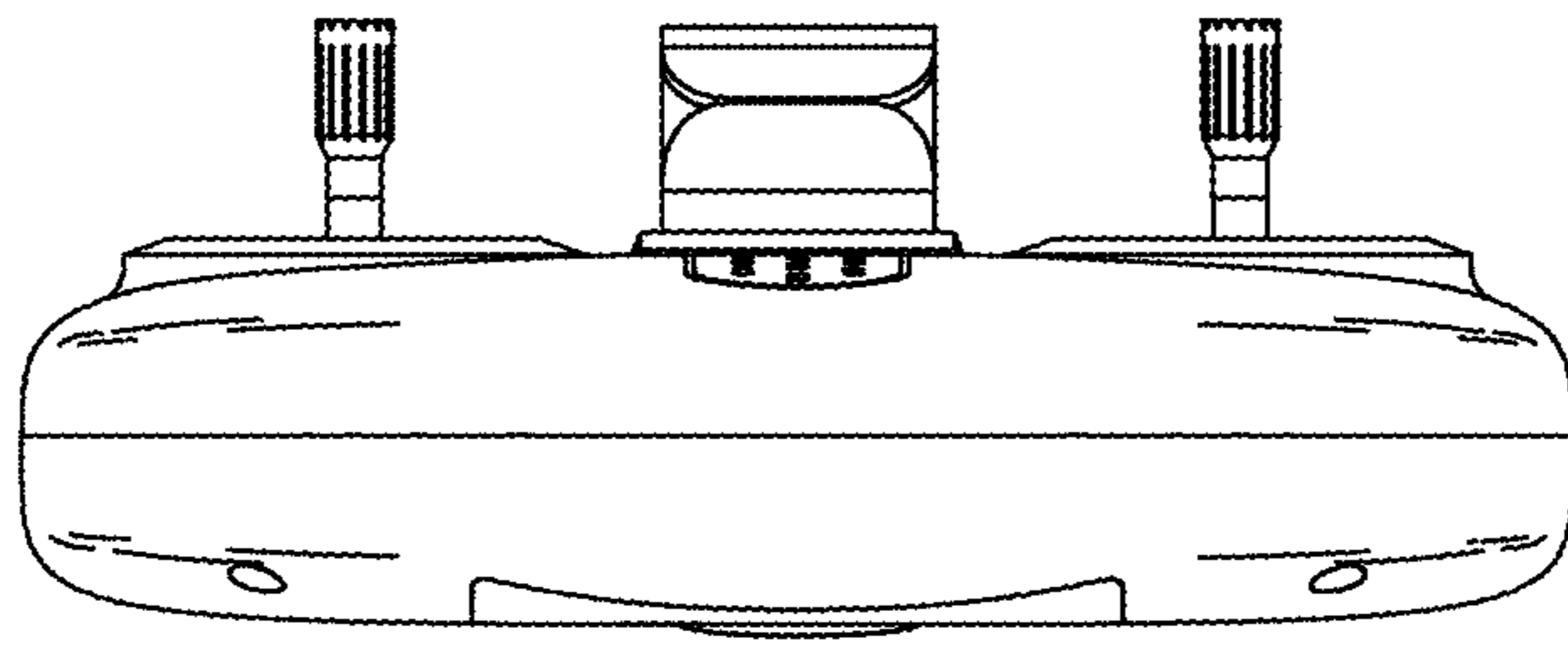


FIG.7

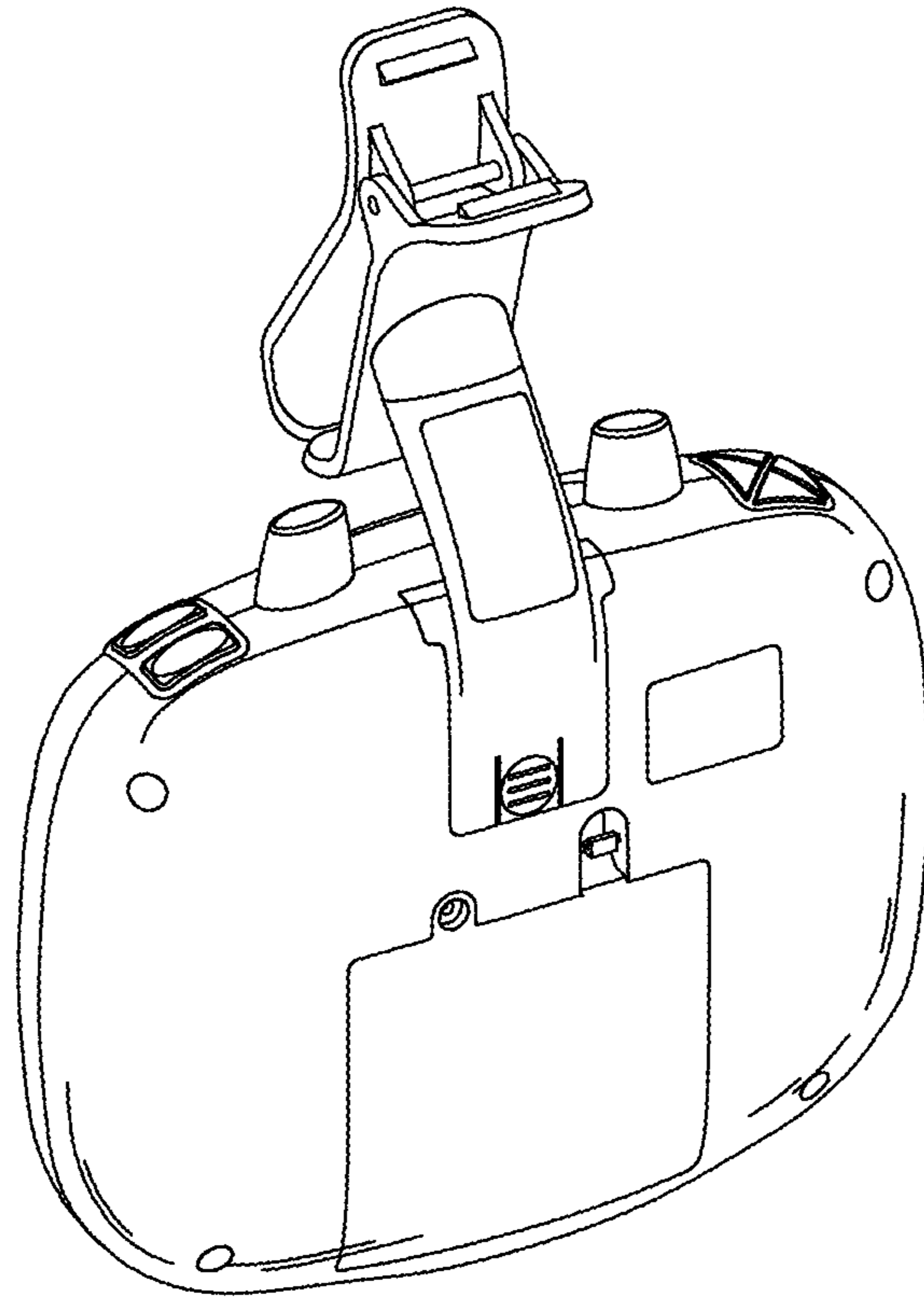


FIG.8