



US00D828450S

(12) **United States Design Patent** (10) **Patent No.:** **US D828,450 S**
Becker et al. (45) **Date of Patent:** **** Sep. 11, 2018**

- (54) **PRINTER SHEET WITH WRISTBAND**
- (71) Applicant: **CCL Label, Inc.**, Framingham, MA (US)
- (72) Inventors: **William Becker**, Rockport, NY (US); **Joseph Langan**, East Amherst, NY (US)
- (73) Assignee: **CCL Label, Inc.**, Framingham, MA (US)
- (**) Term: **15 Years**
- (21) Appl. No.: **29/588,300**
- (22) Filed: **Dec. 20, 2016**
- (51) **LOC (11) Cl.** **20-03**
- (52) **U.S. Cl.**
USPC **D20/27; D19/1**
- (58) **Field of Classification Search**
USPC D20/10, 11, 22-29, 39, 99, 35, 40-43; D14/485-495; D19/1
CPC G09F 1/00; G09F 1/02; G09F 2003/023; G09F 2003/0261; G09F 2003/0264; G09F 7/00; G09F 3/206; G09F 13/00; G09F 2007/1807; G09F 13/04; G09F 2013/0427; G09F 2013/0495; G09D 3/00
See application file for complete search history.

(56) **References Cited**

U.S. PATENT DOCUMENTS

1,989,781	A *	2/1935	Zak	G09F 21/04 292/259 R
D294,223	S *	2/1988	Gollon	D9/722
D305,869	S *	2/1990	Gollon	D19/1
D322,815	S *	12/1991	Gollon	D20/11
D345,584	S *	3/1994	Gollon	D20/22
6,510,634	B1 *	1/2003	Riley	G09F 3/005 283/75

6,836,215	B1 *	12/2004	Laurash	G06K 1/12 156/60
D503,197	S *	3/2005	Stewart	D20/27
7,000,951	B2 *	2/2006	Valenti, Jr.	G09F 3/005 283/105
7,017,293	B2 *	3/2006	Riley	B42D 15/00 283/75
7,017,294	B2 *	3/2006	Riley	B42D 15/00 283/75
7,222,448	B2 *	5/2007	Riley	B42D 15/00 283/75
D584,352	S *	1/2009	Ali	D19/1
D595,348	S *	6/2009	Joseph	D19/1
D608,389	S *	1/2010	Bishop	D19/1
D611,984	S *	3/2010	Ali	D19/1
D624,120	S *	9/2010	Marshall	D19/1
RE41,822	E *	10/2010	Henley	D20/19
D638,468	S *	5/2011	Taghavi	D19/1
D640,738	S *	6/2011	Jain	D19/1
D646,333	S *	10/2011	Davis	D20/22
D653,148	S *	1/2012	Bekker	D11/3

(Continued)

Primary Examiner — Mary Ann Calabrese

Assistant Examiner — Sloan Rozin

(74) *Attorney, Agent, or Firm* — McDonald Hopkins LLC

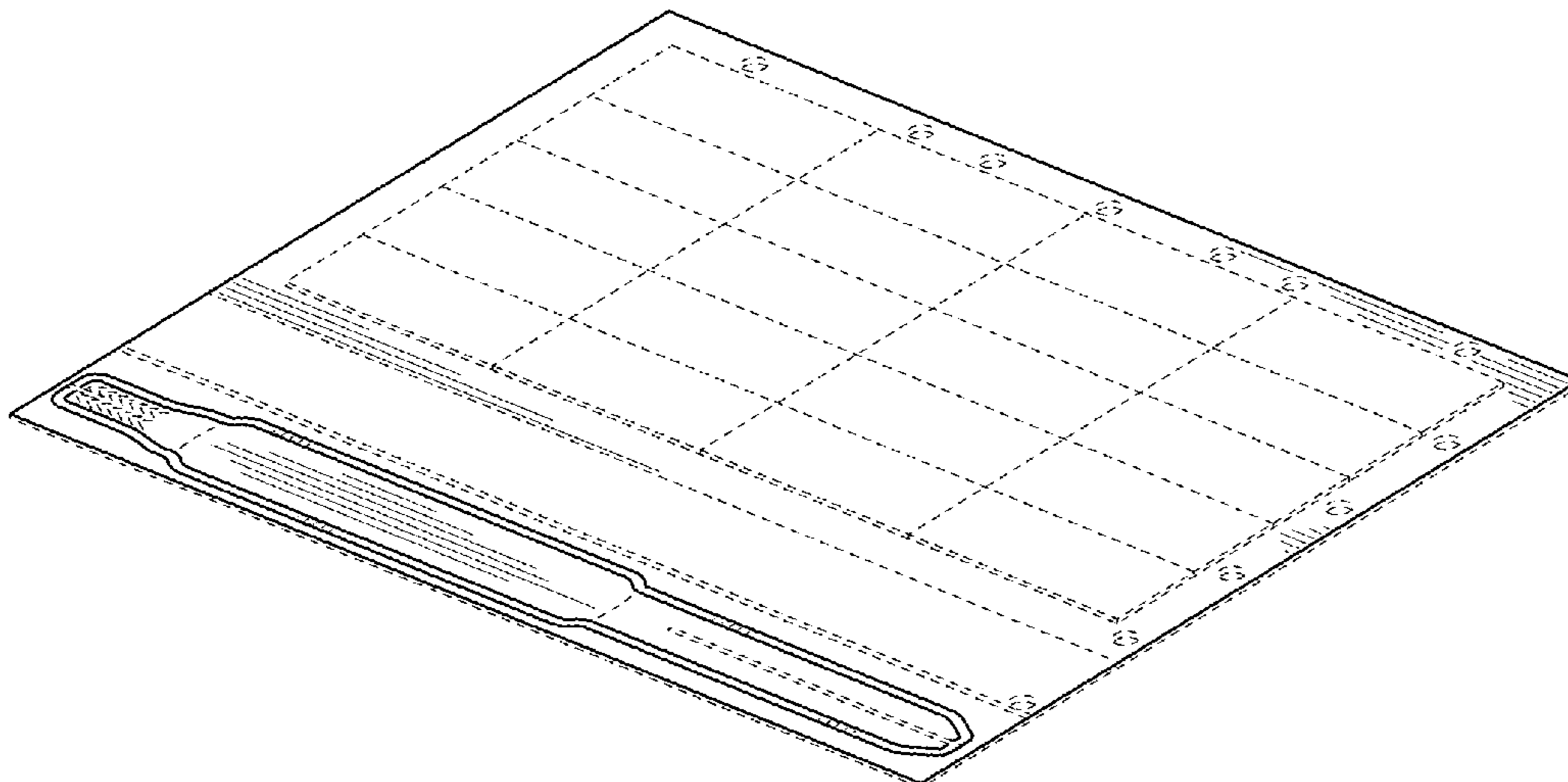
(57) **CLAIM**

The ornamental design for a printer sheet with wristband, as shown and described.

DESCRIPTION

FIG. 1 is a front perspective view of the design;
 FIG. 2 is a front view of the design;
 FIG. 3 is a rear view of the design;
 FIG. 4 is a first side view of the design;
 FIG. 5 is a second side view of the design;
 FIG. 6 is a top view of the design; and,
 FIG. 7 is a bottom view of the design.
 The broken line showing of elements on the printer sheet with wristband is for the purpose of illustrating portions of the article and form no part of the claimed design.

1 Claim, 3 Drawing Sheets



(56)

References Cited

U.S. PATENT DOCUMENTS

D663,353	S *	7/2012	Waltersdorf	D19/1
D663,780	S *	7/2012	Mingo	D20/19
D703,755	S *	4/2014	Joseph	D11/3
D703,756	S *	4/2014	Ennis	D11/3
D707,296	S *	6/2014	Joseph	D11/3
D734,311	S *	7/2015	Takamoto	D14/250
D755,894	S *	5/2016	Taghavi	D20/22
D762,263	S *	7/2016	Canchola	D20/27
D772,984	S *	11/2016	Canchola	D20/22
D787,598	S *	5/2017	Carr	D20/27
2005/0279001	A1 *	12/2005	Riley	B42D 15/00 40/633
2006/0113788	A1 *	6/2006	Riley	B42D 15/00 283/81
2006/0230661	A1 *	10/2006	Bekker	G09F 3/005 40/633
2006/0236578	A1 *	10/2006	Saint	G09F 3/005 40/633
2007/0243361	A1 *	10/2007	Riley	G09F 3/005 428/195.1
2008/0098636	A1 *	5/2008	Greer	G09F 3/005 40/633
2008/0109937	A1 *	5/2008	Greer	A44C 5/0053 2/162
2008/0309065	A1 *	12/2008	Ali	G09F 3/005 283/75

* cited by examiner

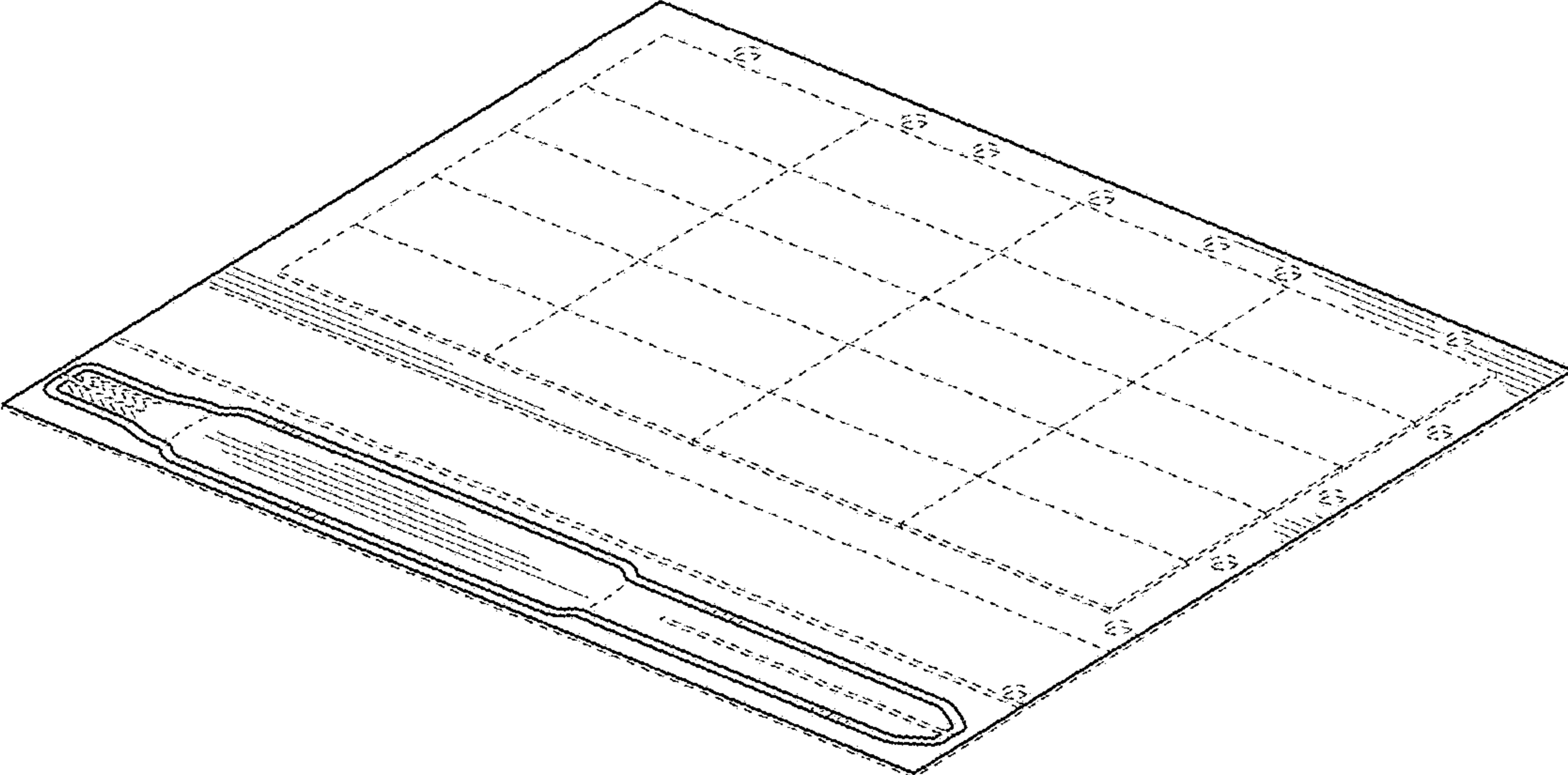


FIG. 1

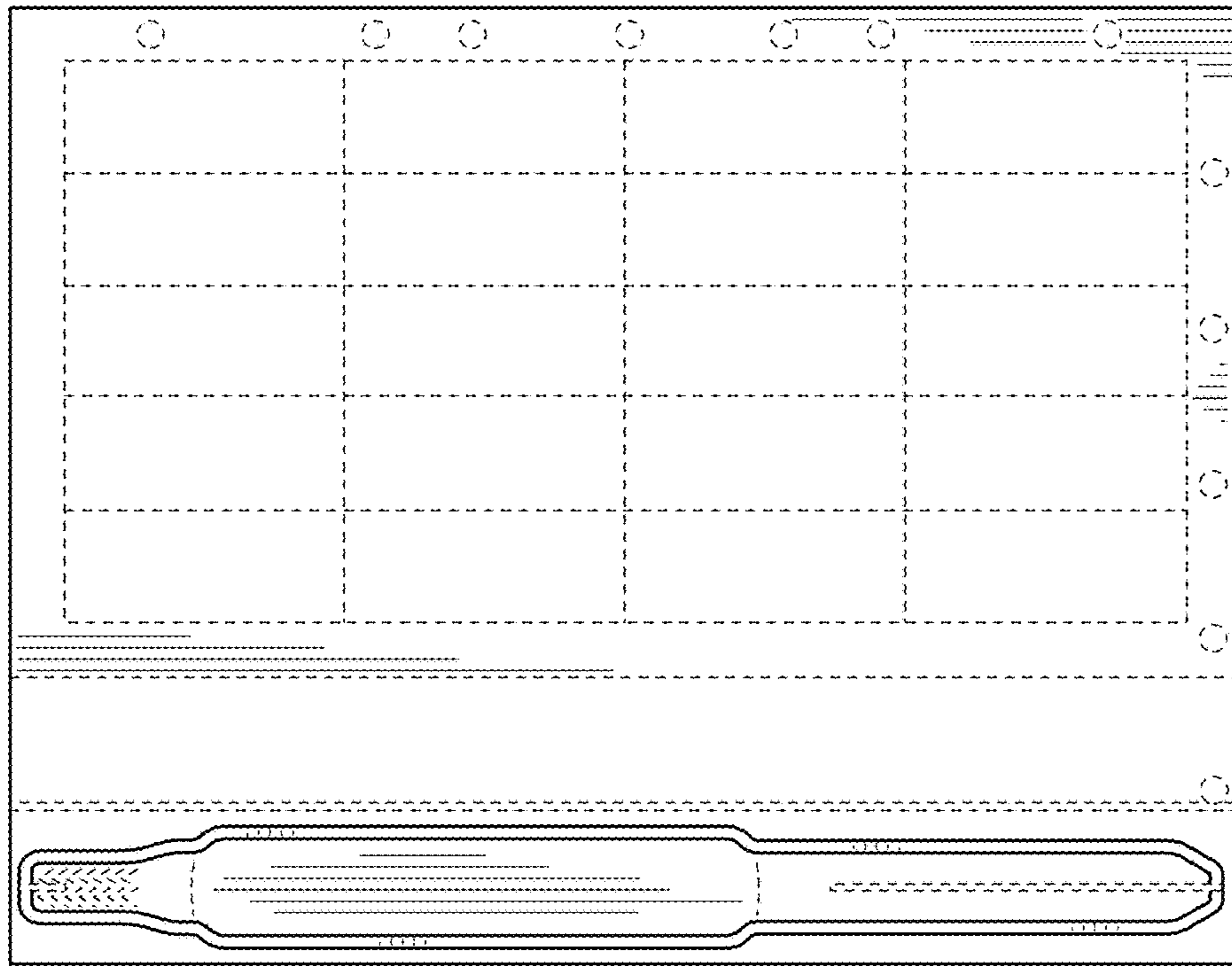


FIG. 2

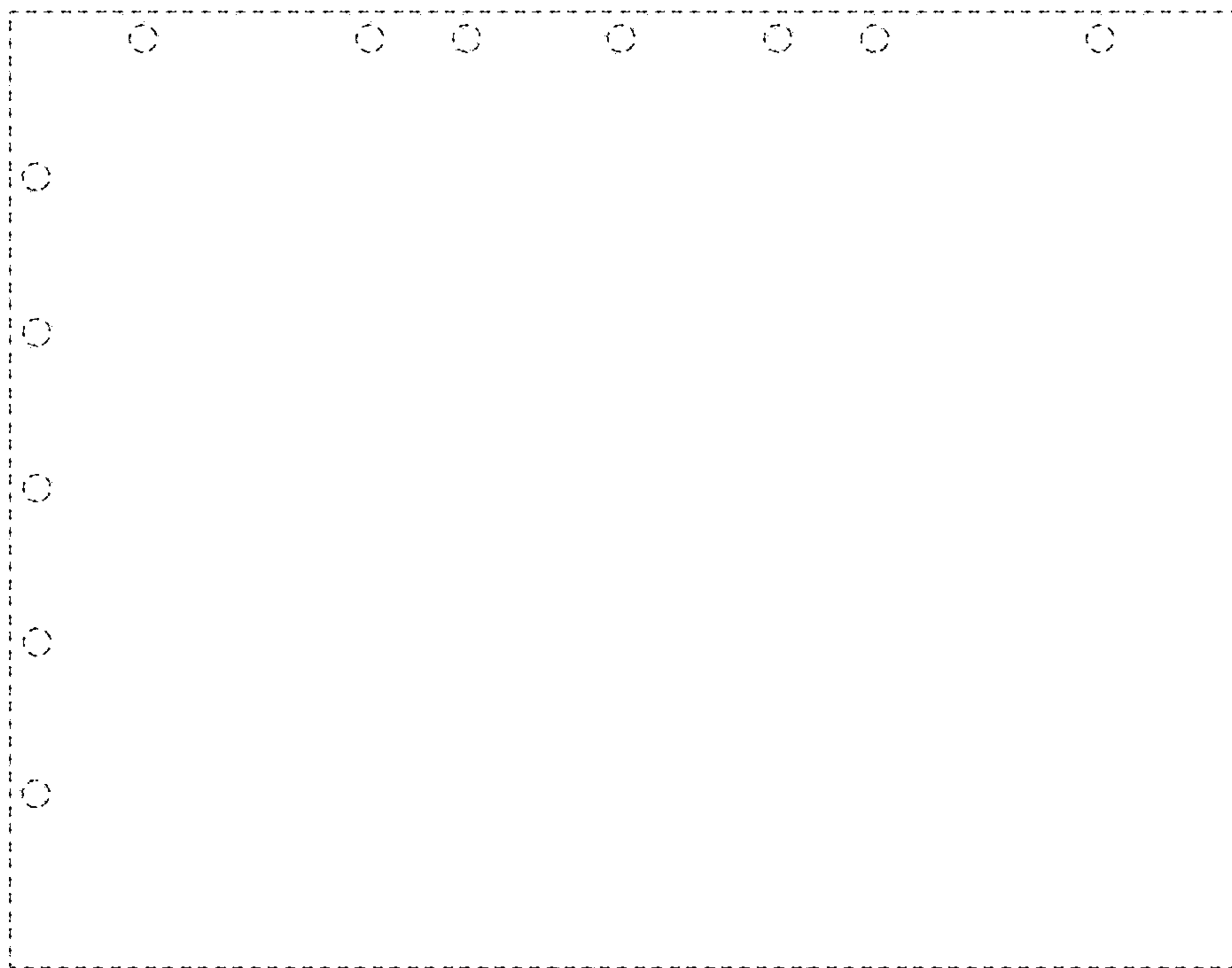


FIG. 3



FIG. 4



FIG. 5

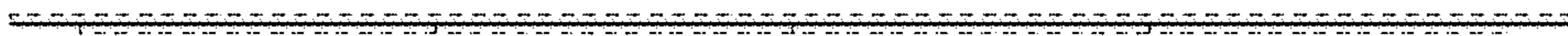


FIG. 6

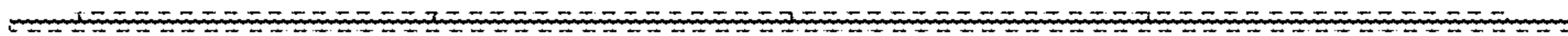


FIG. 7