



US00D828449S

(12) **United States Design Patent** (10) **Patent No.:** **US D828,449 S**  
**Ondrasik** (45) **Date of Patent:** **\*\* Sep. 11, 2018**

(54) **COMBINED SHOPPING CART AND SIGN FRAME**

(71) Applicant: **V. John Ondrasik**, Commerce, CA (US)

(72) Inventor: **V. John Ondrasik**, Commerce, CA (US)

(73) Assignee: **THE ONDRASIK FAMILY**, Commerce, CA (US), trust dated Nov. 3, 1999

(\*\*) Term: **15 Years**

(21) Appl. No.: **29/547,663**

(22) Filed: **Dec. 7, 2015**

(51) **LOC (11) Cl.** ..... **20-03**

(52) **U.S. Cl.**  
USPC ..... **D20/19; D34/27**

(58) **Field of Classification Search**  
USPC ..... **D20/10, 19, 43, 44, 99; D6/300; D34/14, 27**

(Continued)

(56) **References Cited**

**U.S. PATENT DOCUMENTS**

2,797,513 A \* 7/1957 Edwards, Jr. .... B60R 13/10  
40/209  
3,677,570 A \* 7/1972 Hedu ..... A47F 10/02  
280/33.992

(Continued)

*Primary Examiner* — Mary Ann Calabrese

(74) *Attorney, Agent, or Firm* — David R. Heckadon;  
Gordon Rees Scully Mansukhani LLP

(57) **CLAIM**

The ornamental design for a combined shopping cart and sign frame, as shown and disclosed.

**DESCRIPTION**

FIG. 1 is a front elevation view of the combined shopping cart and sign frame.

FIG. 2 is a rear elevation view of the combined shopping cart and sign frame of FIG. 1.

FIG. 3 is a top plan view of the combined shopping cart and sign frame of FIG. 1.

FIG. 4 is a bottom plan view of the combined shopping cart and sign frame of FIG. 1.

FIG. 5 is a right elevation view of the combined shopping cart and sign frame of FIG. 1.

FIG. 6 is a left elevation view of the combined shopping cart and sign frame of FIG. 1.

FIG. 7 is a front elevation view of the combined shopping cart and sign frame of FIG. 1, shown in use holding a sign.

FIG. 8 is a rear elevation view of the combined shopping cart and sign frame of FIG. 1, shown in use holding a sign.

FIG. 9 is a front perspective view of the combined shopping cart and sign frame of FIG. 1, shown in use holding a sign.

FIG. 10 is a front elevation view of the combined shopping cart and sign frame shown in an alternate embodiment.

FIG. 11 is a rear elevation view of the combined shopping cart and sign frame of FIG. 10.

FIG. 12 is a top plan view of the combined shopping cart and sign frame of FIG. 10.

FIG. 13 is a bottom plan view of the combined shopping cart and sign frame of FIG. 10.

FIG. 14 is a right elevation view of the combined shopping cart and sign frame of FIG. 10.

FIG. 15 is a left elevation view of the combined shopping cart and sign frame of FIG. 10.

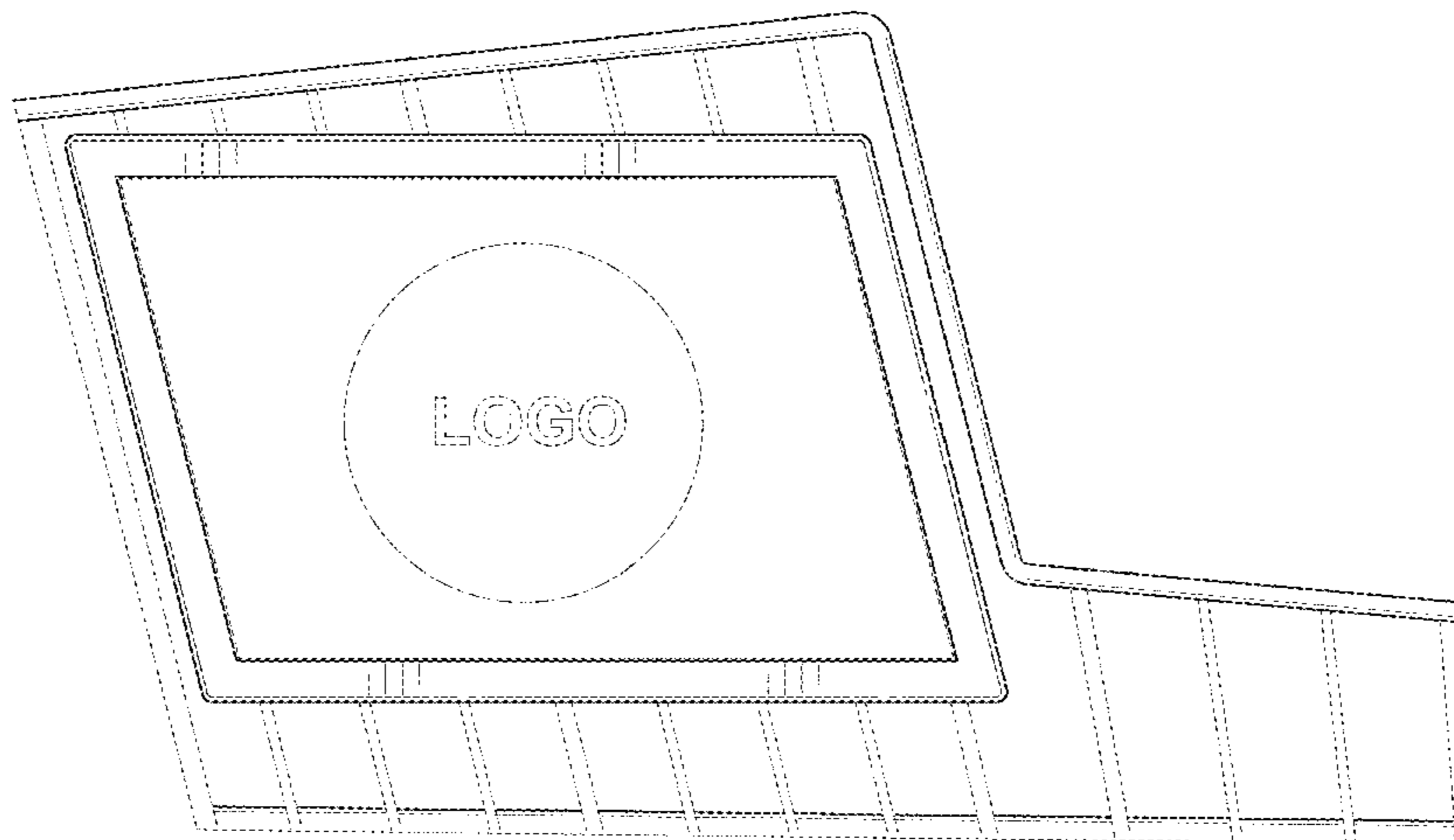
FIG. 16 is a front elevation view of the combined shopping cart and sign frame of FIG. 10, shown in use holding a sign.

FIG. 17 is a front elevation view of the combined shopping cart and sign frame of FIG. 10, shown in use holding a sign; and,

FIG. 18 is a front perspective view of the combined shopping cart and sign frame of FIG. 10, shown in use holding a sign.

In the drawings, the broken lines showing the sign in FIGS. 7, 8, 16 and 17 illustrates the environment and forms no part of the claimed design. The broken lines showing the remainder of the shopping cart shows portions of the article that forms no part of the claimed design.

**1 Claim, 14 Drawing Sheets**



(58) **Field of Classification Search**

CPC ... G09F 1/10; G09F 1/103; G09F 1/12; G09F  
2001/106; G09F 3/18; G09F 3/185; G09F  
3/20; G09F 3/201; G09F 15/0012; A47G  
1/06; B62B 3/1408; B62B 3/1412

See application file for complete search history.

(56) **References Cited**

U.S. PATENT DOCUMENTS

4,583,309 A \* 4/1986 Kane ..... A47G 1/0655  
40/711  
D317,219 S \* 5/1991 Rehrig ..... D34/27  
5,148,618 A \* 9/1992 Brewster ..... G09F 3/18  
40/626  
5,210,968 A \* 5/1993 Rehrig ..... B62B 3/1408  
280/33.991

5,306,033 A \* 4/1994 Evans ..... B62B 3/1408  
280/33.992  
5,390,942 A \* 2/1995 Schuster ..... B62B 5/04  
280/19  
5,442,873 A \* 8/1995 Vogler ..... G09F 15/0012  
40/611.06  
5,608,978 A \* 3/1997 Sawyer ..... B62B 3/1408  
40/308  
D476,818 S \* 7/2003 Stravitz ..... D6/300  
7,004,480 B2 \* 2/2006 Trubiano ..... B62B 3/1408  
280/33.992  
D613,338 S \* 4/2010 Marukos ..... D20/10  
D654,703 S \* 2/2012 LeMay ..... D6/300  
2002/0083628 A1 \* 7/2002 Magid ..... B62B 3/1408  
40/308  
2002/0171214 A1 \* 11/2002 Prather ..... B62B 3/027  
280/47.35  
2012/0036754 A1 \* 2/2012 Van Bortel ..... A47G 1/06  
40/711

\* cited by examiner

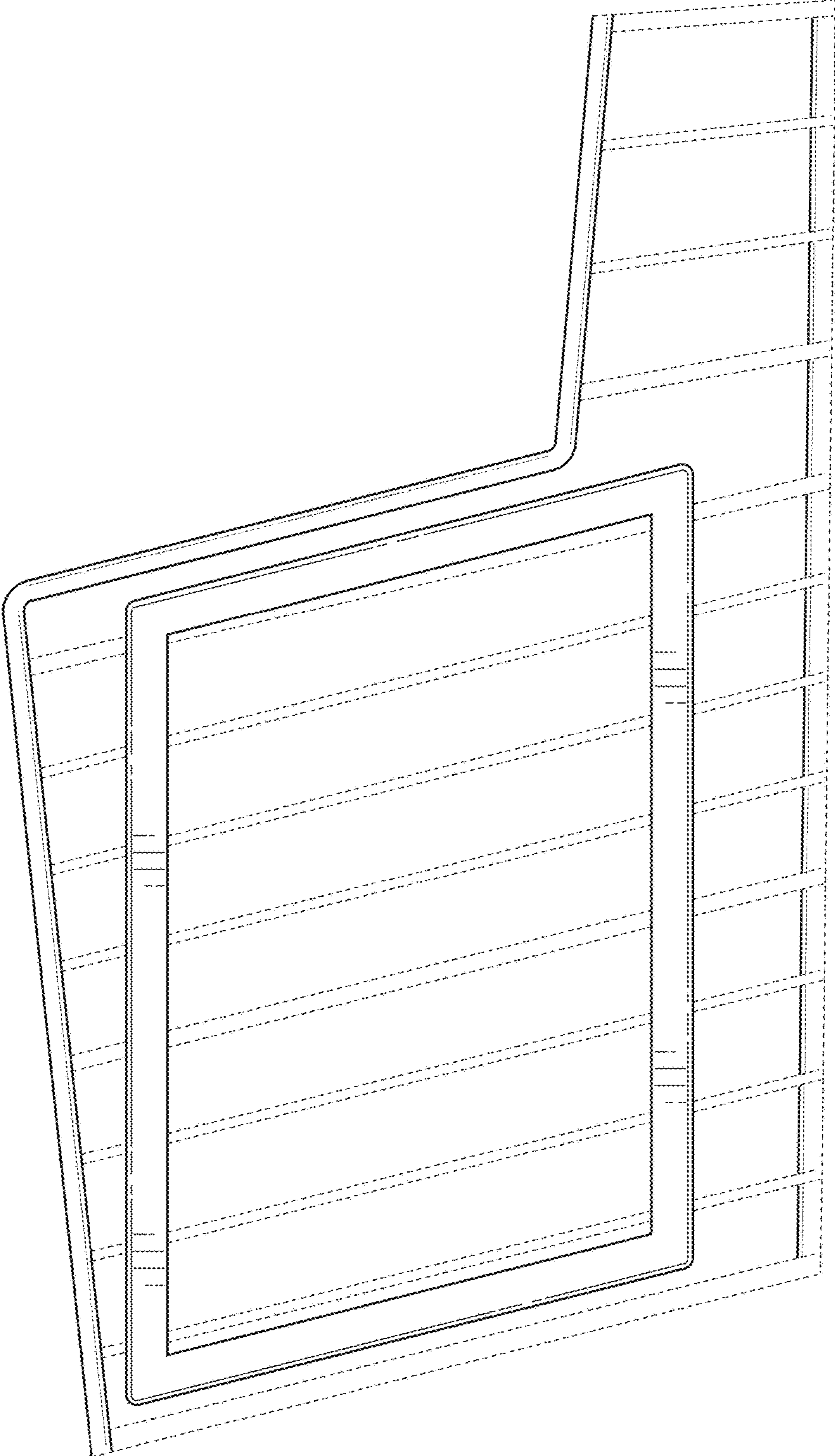


FIG. 1

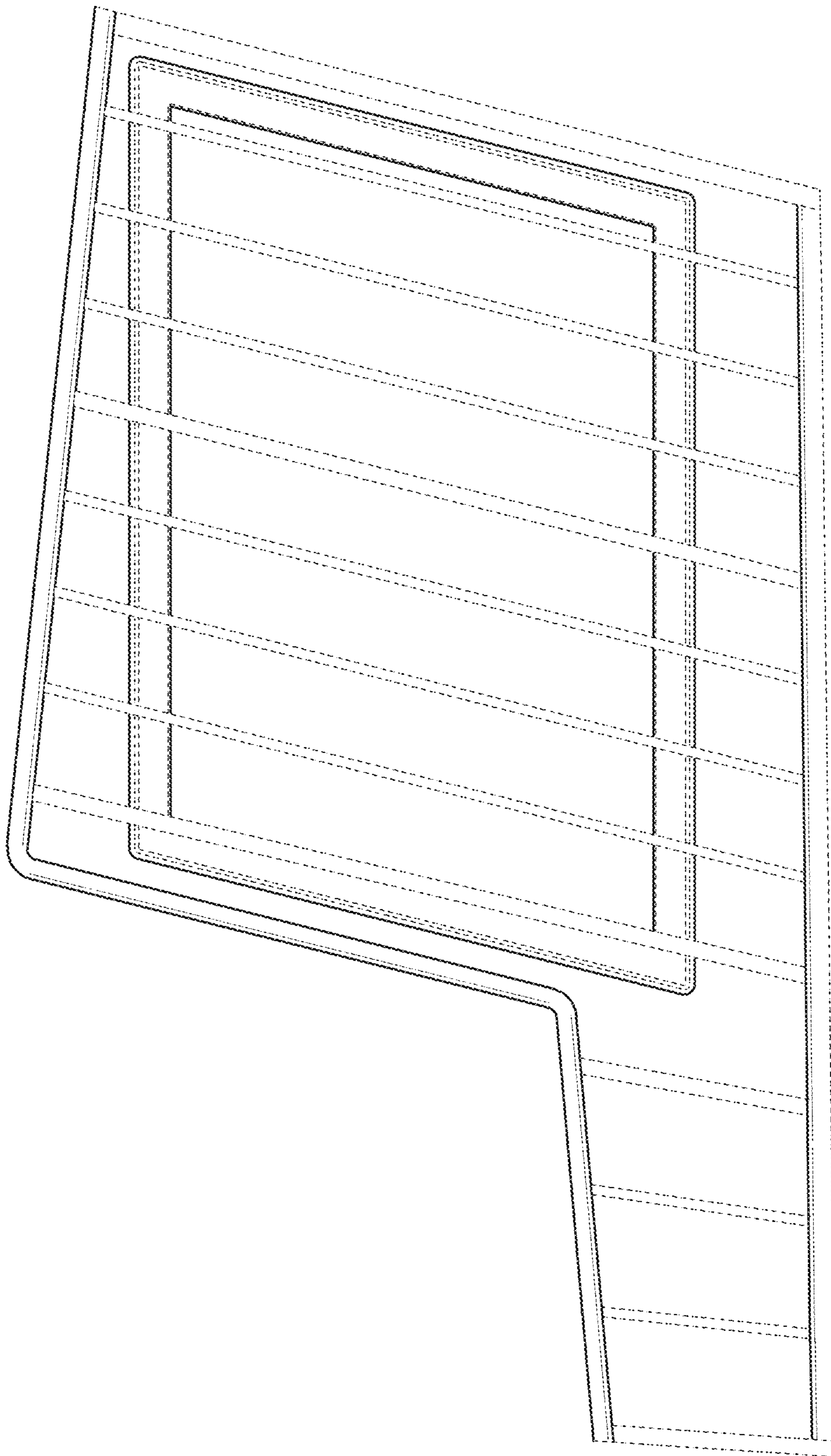


FIG. 2



FIG. 3



FIG. 4

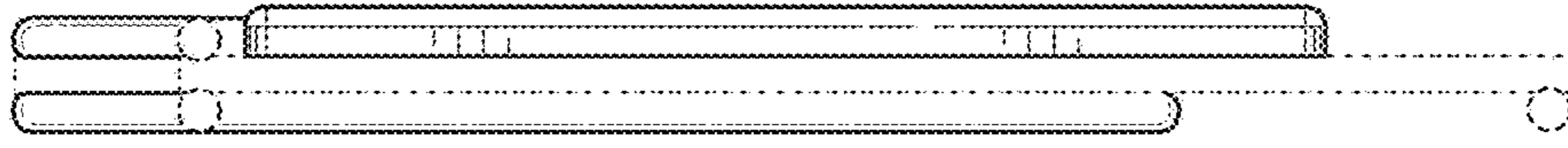


FIG. 6



FIG. 5

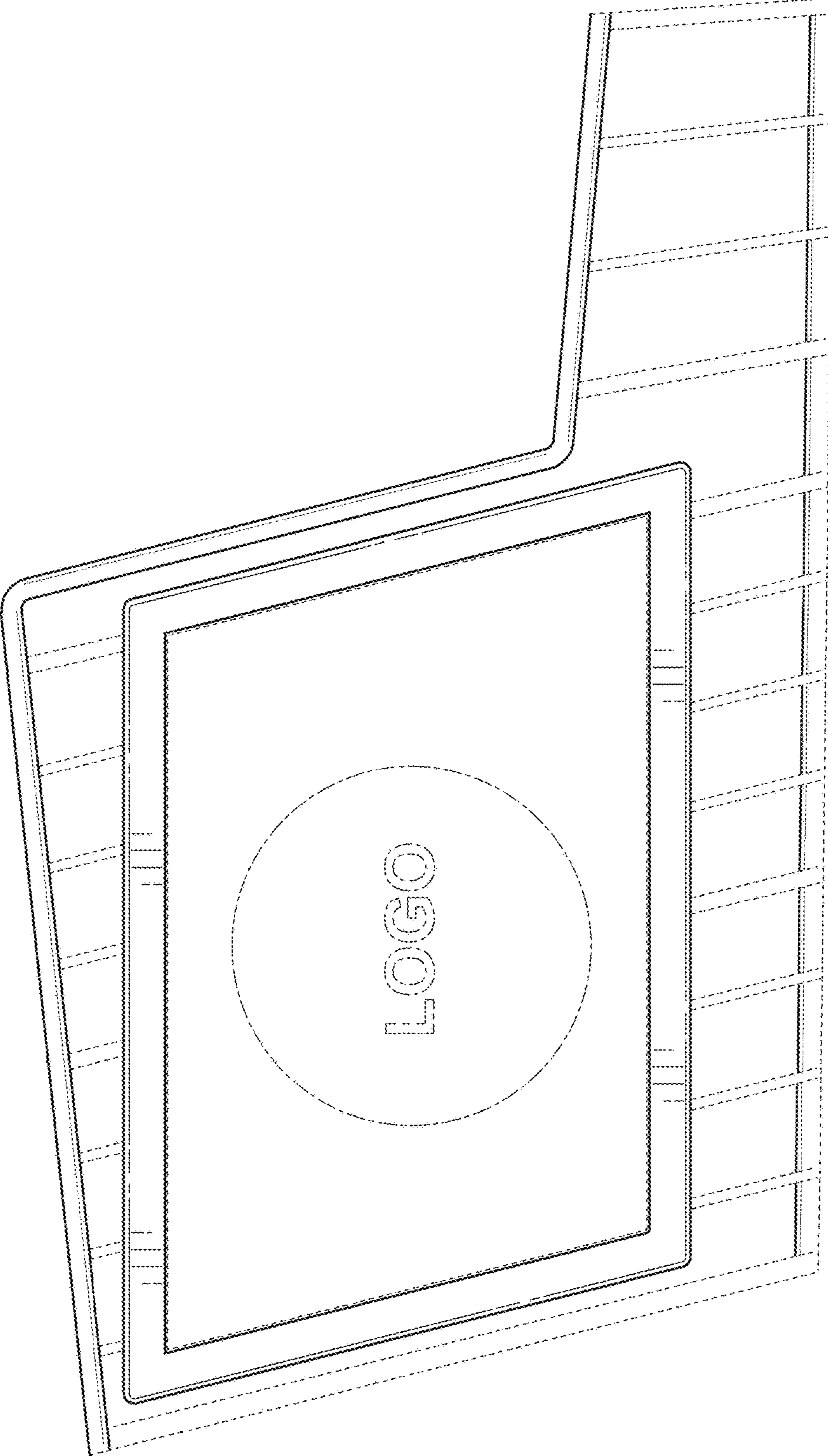


FIG. 7

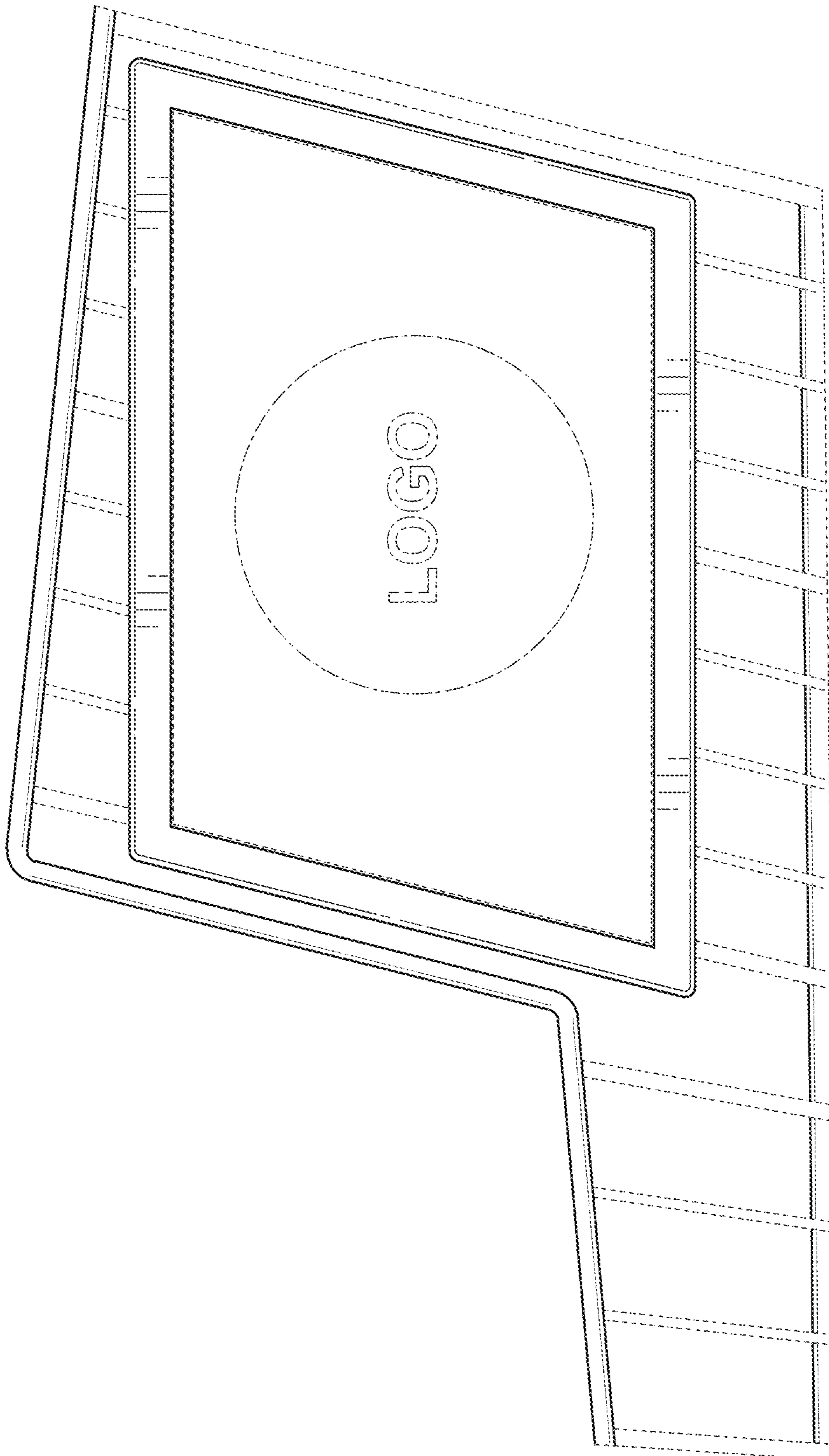


FIG. 8



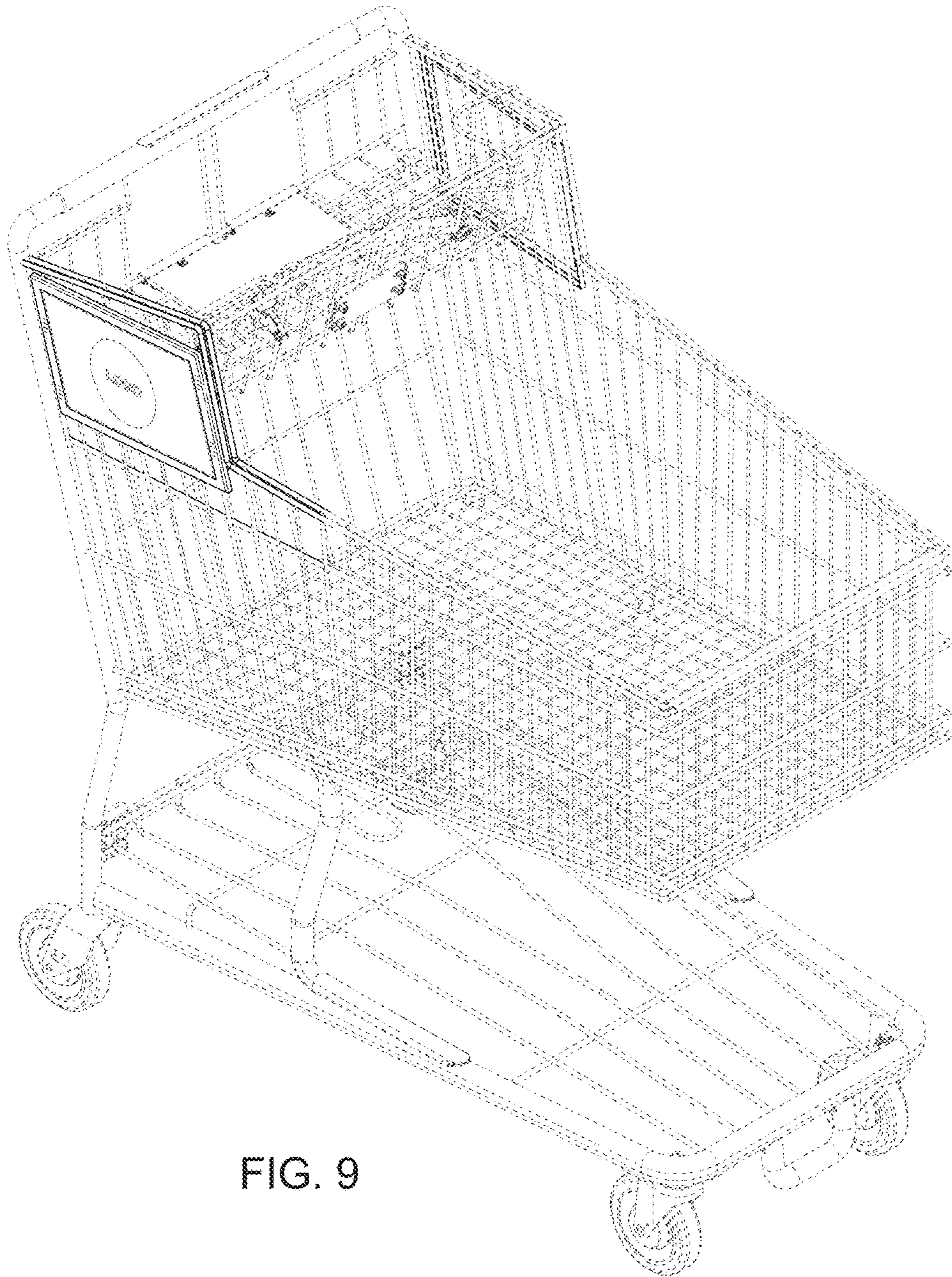


FIG. 9

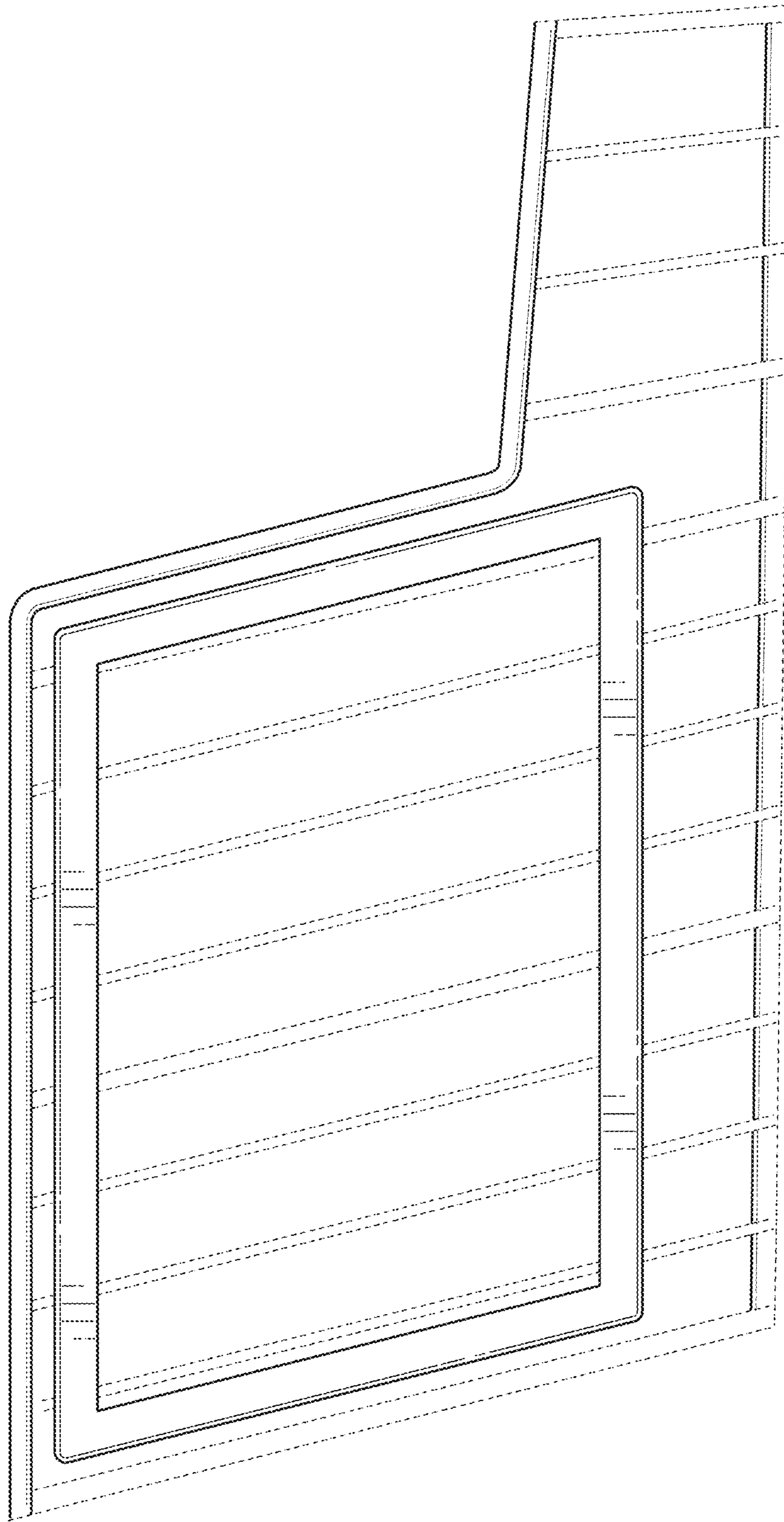


FIG. 10

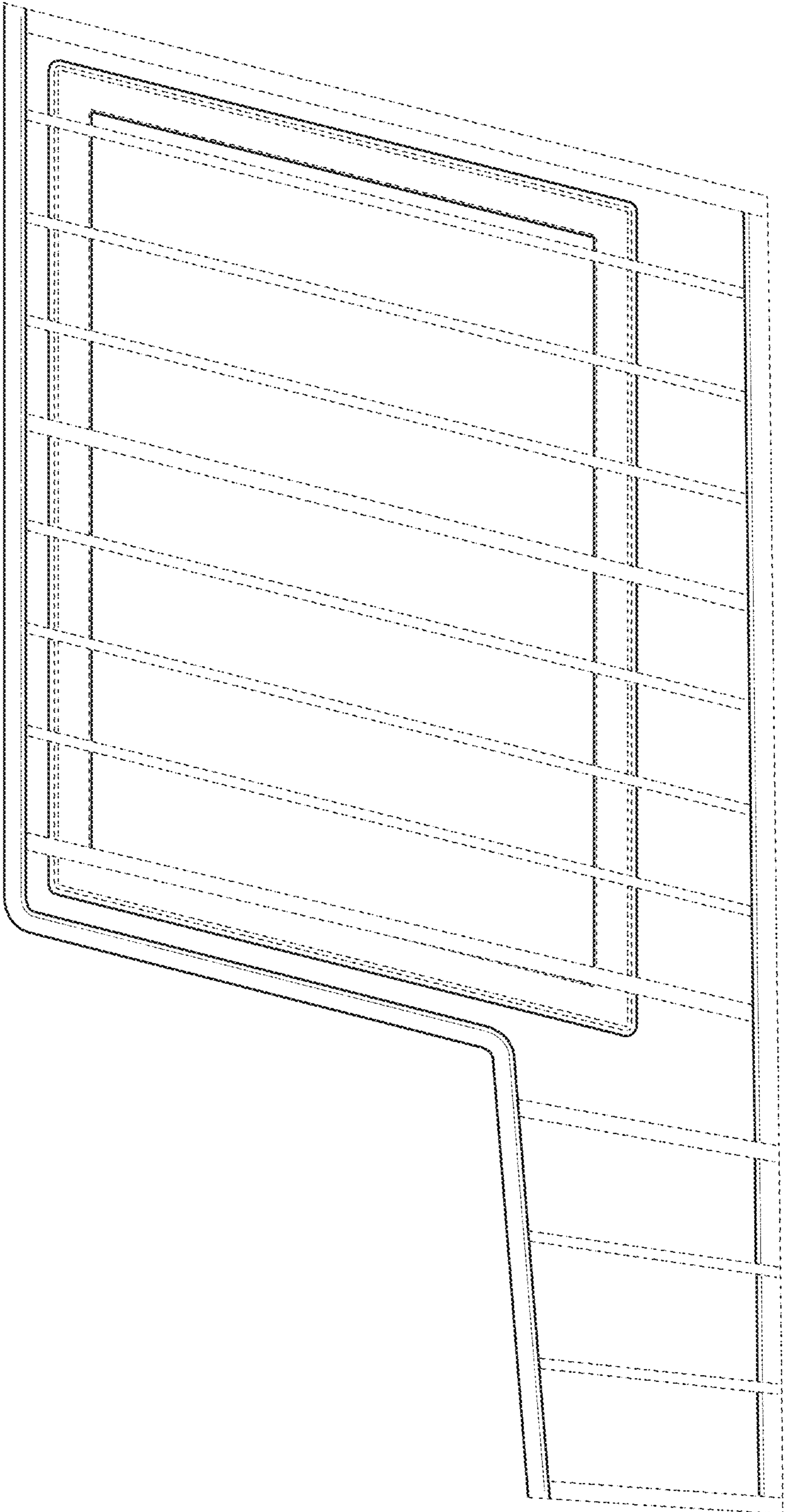


FIG. 11



FIG. 12

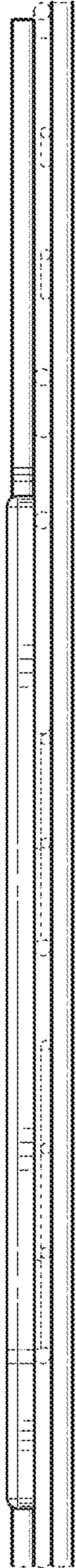


FIG. 13

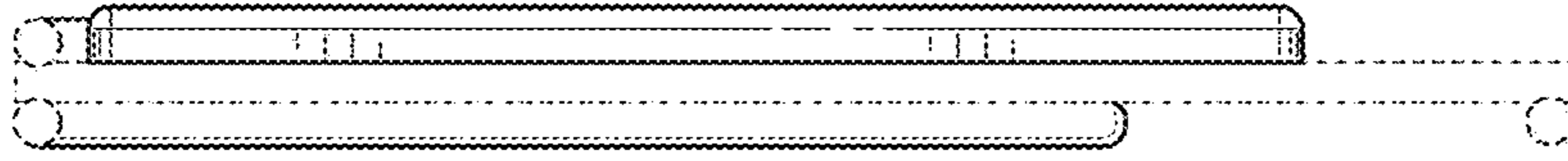


FIG. 15



FIG. 14

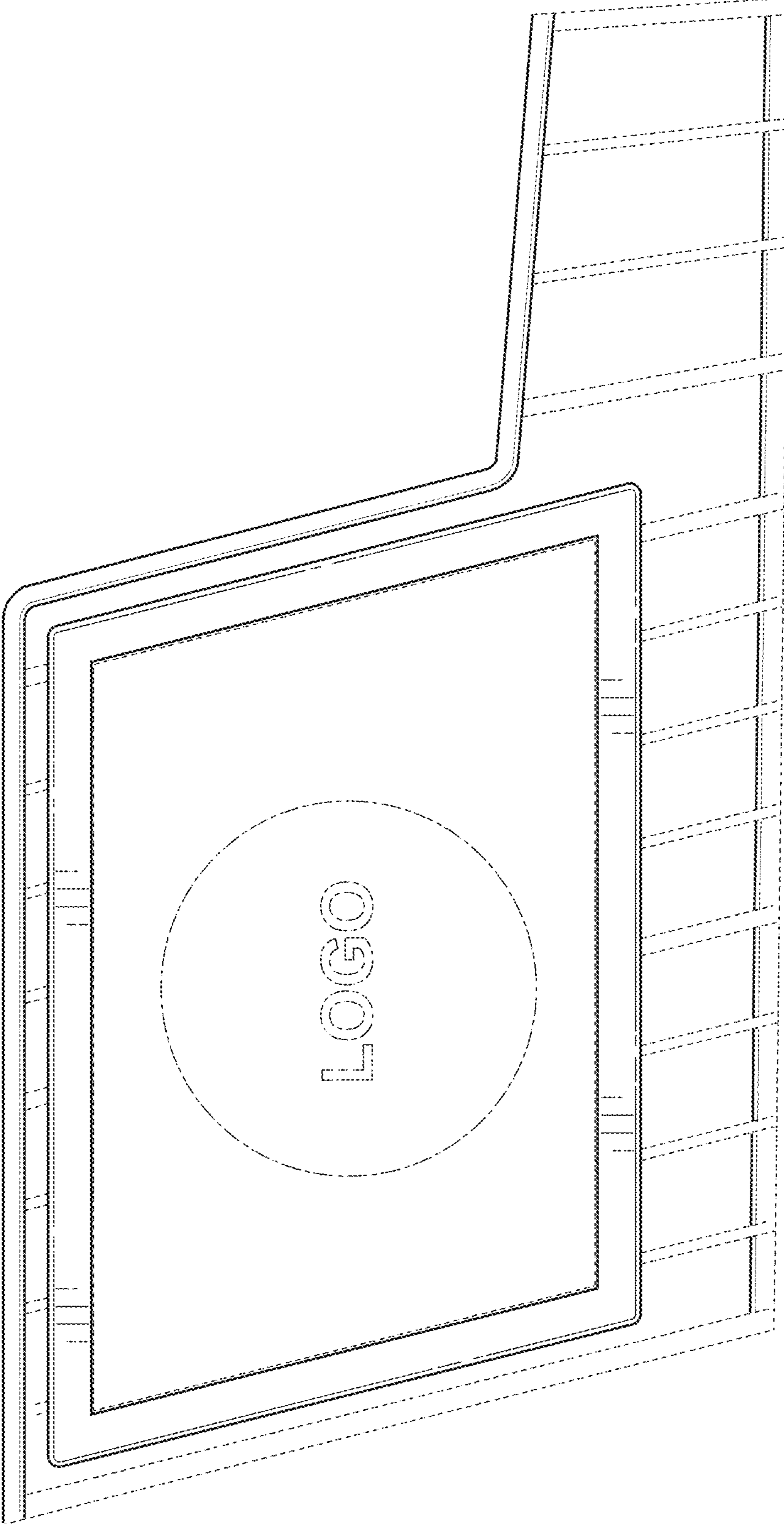


FIG. 16

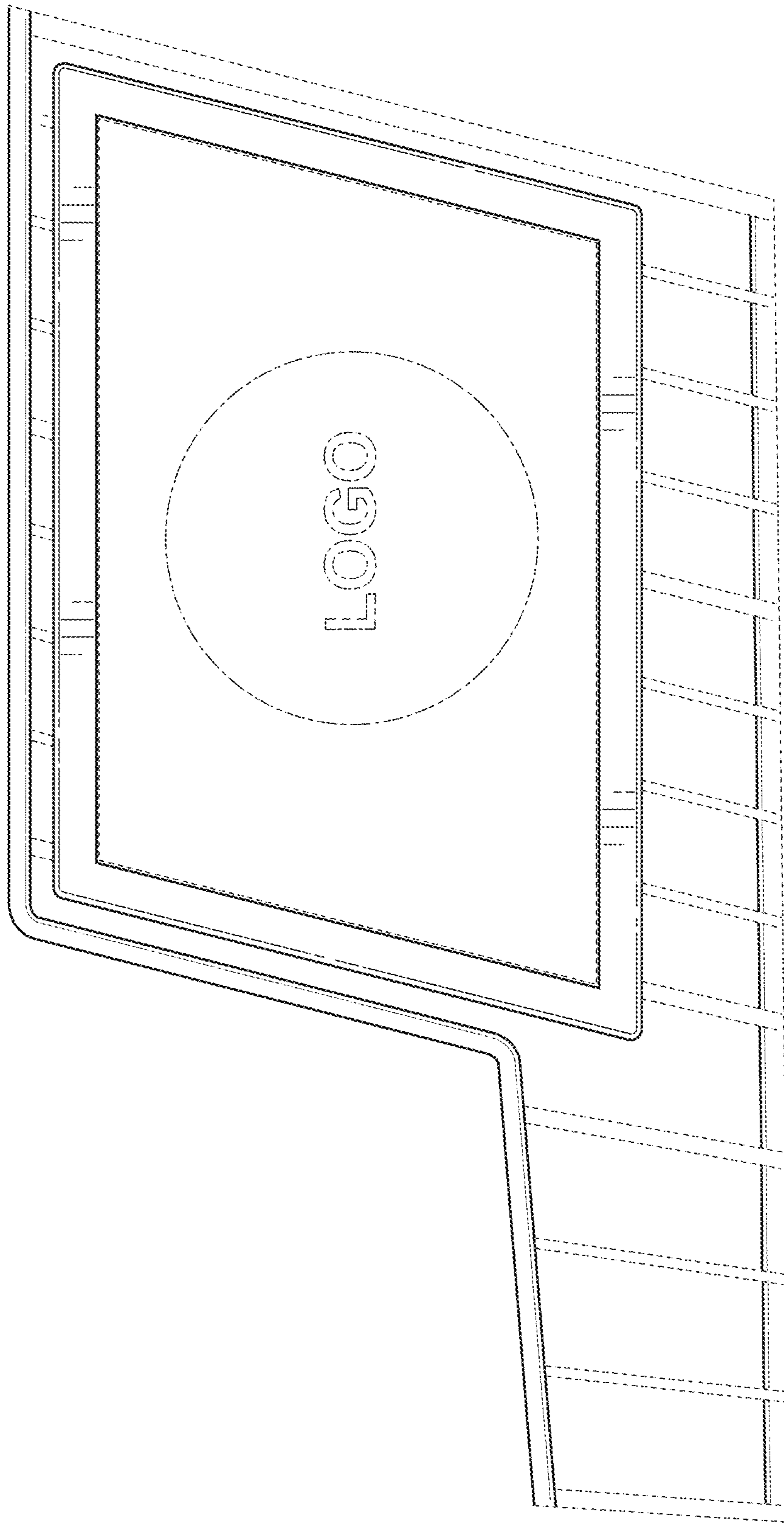


FIG. 17

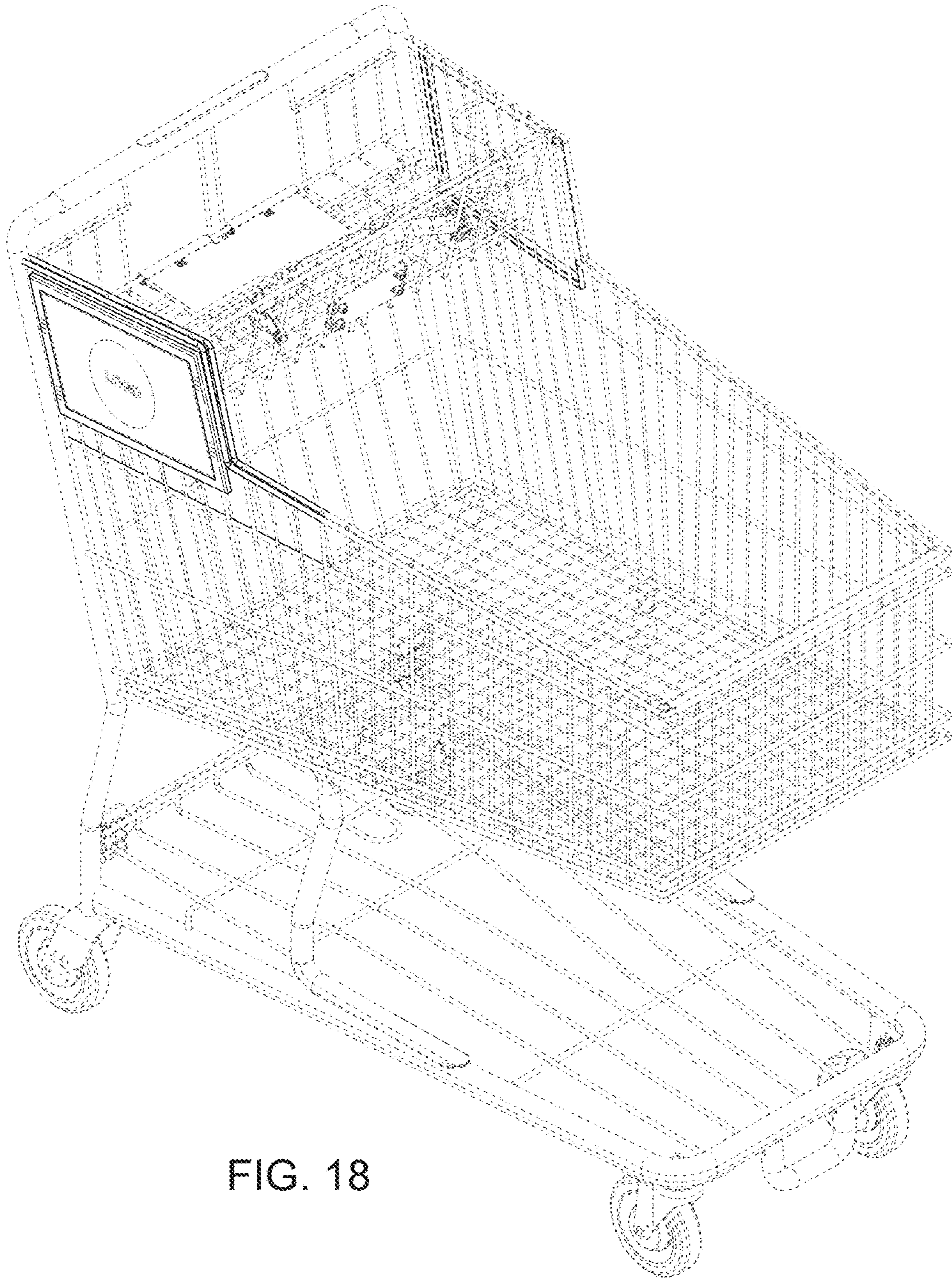


FIG. 18