



US00D828444S

(12) **United States Design Patent** (10) **Patent No.:** **US D828,444 S**
Huang (45) **Date of Patent:** **** Sep. 11, 2018**

(54) **ELECTRONIC BOOKMARK**

- (71) Applicant: **E Ink Holdings Inc.**, Hsinchu (TW)
- (72) Inventor: **Hsin-Yi Huang**, Hsinchu (TW)
- (73) Assignee: **E Ink Holdings Inc.**, Hsinchu (TW)
- (**) Term: **15 Years**
- (21) Appl. No.: **29/599,703**
- (22) Filed: **Apr. 6, 2017**

Related U.S. Application Data

- (62) Division of application No. 29/536,183, filed on Aug. 14, 2015, now Pat. No. Des. 796,577.

(30) **Foreign Application Priority Data**

Apr. 30, 2015 (TW) 104302276

- (51) **LOC (11) Cl.** **19-99**

- (52) **U.S. Cl.**
USPC **D19/34**

- (58) **Field of Classification Search**
USPC D19/26-34, 34.1-34.5, 124
CPC B42D 3/004; B42D 3/006; B42D 9/00;
B42D 9/001; B42D 9/002; B42D 9/004;

(Continued)

(56) **References Cited**

U.S. PATENT DOCUMENTS

- 302,768 A * 7/1884 Paine B42D 9/00
116/234
- D38,916 S * 12/1907 Willis D19/34
- D89,073 S * 1/1933 Royle 428/16

(Continued)

FOREIGN PATENT DOCUMENTS

- AU WO 03039887 A1 * 5/2003 B42D 9/007

OTHER PUBLICATIONS

Modes4u. <URL: http://www.modes4u.com/en/kawaii/p10912_cute-Polar-bear-bookmark-stickers-Post-it-with-fishes.html> Oct. 16, 2013. Polar bear bookmarks.*

(Continued)

Primary Examiner — Bridget L Eland

Assistant Examiner — Lauren McVey

(74) *Attorney, Agent, or Firm* — JCIPRNET

(57) **CLAIM**

The ornamental design for an electronic bookmark, as shown and described.

DESCRIPTION

FIG. 1 is a front perspective view of an electronic bookmark showing my new design in a first state of use;

FIG. 2 is a rear view thereof;

FIG. 3 is a left side view thereof;

FIG. 4 is a right side view thereof;

FIG. 5 is a top view thereof;

FIG. 6 is a bottom view thereof;

FIG. 7 is a front view thereof shown in a first state of use;

FIG. 8 is another front view thereof shown in a second alternate state of use;

FIG. 9 is another front view thereof shown in a third alternate state of use;

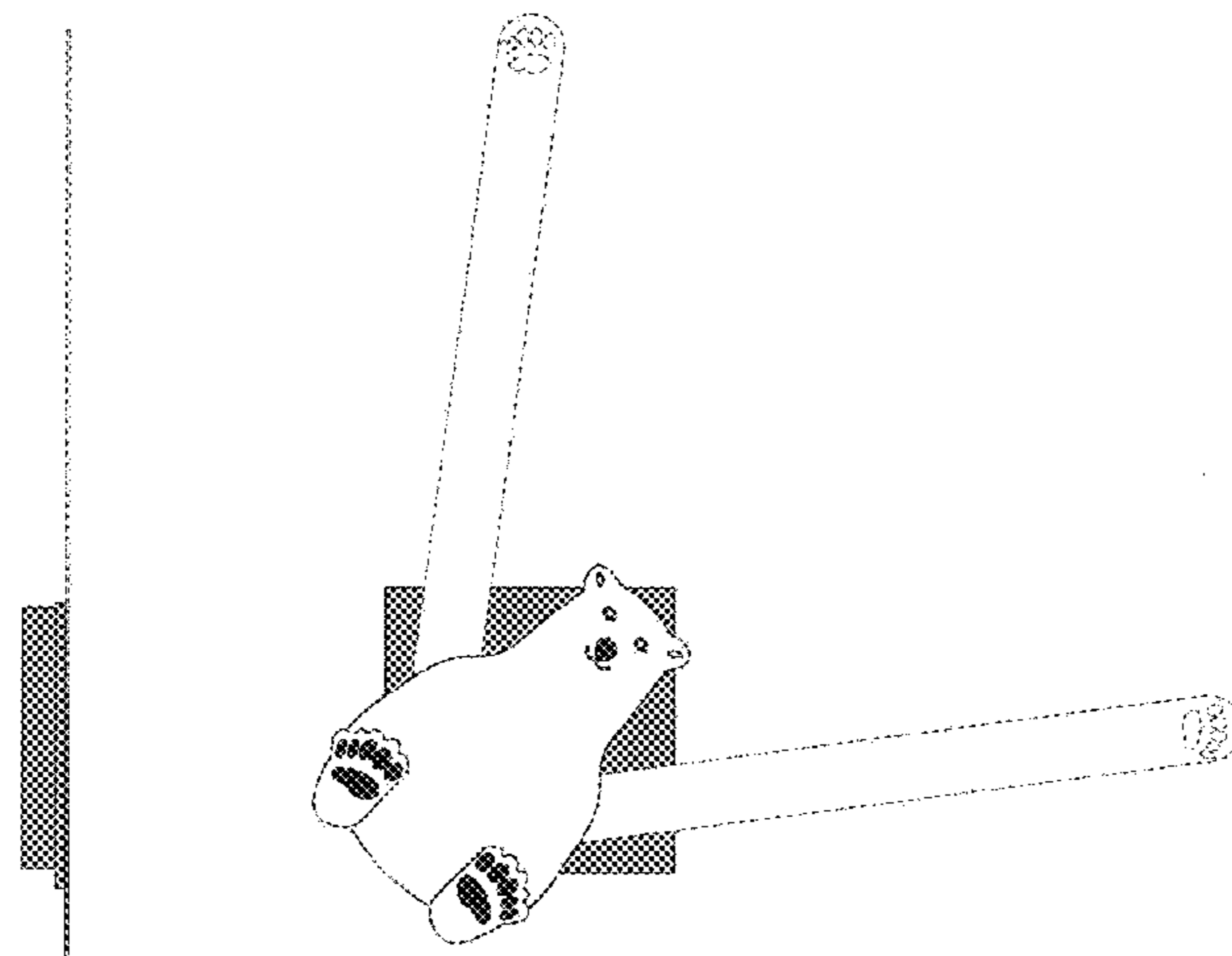
FIG. 10 is another front view of the electronic bookmark, showing the first state of use in an environment;

FIG. 11 is another right side view thereof in an environment; and,

FIG. 12 is another rear view thereof in an environment.

The evenly spaced broken lines immediately adjacent the claim, encompassing regions that lack a tonal value, represent the bounds of the claimed design while all other evenly spaced and the dot-dashed broken lines are directed to environment and are for illustrative purposes only; the broken lines form no part of the claimed design.

1 Claim, 10 Drawing Sheets



(58) **Field of Classification Search**

CPC B42D 9/005; B42D 9/007; B42D 9/008;
B42D 9/02; B42D 9/65; E05B 19/0082

See application file for complete search history.

(56) **References Cited**

U.S. PATENT DOCUMENTS

2,853,043 A * 9/1958 Bitterman B42D 9/005
116/234
4,934,304 A * 6/1990 Rosen B42D 9/005
116/234
5,237,956 A * 8/1993 Igeta B42D 9/005
281/42
D472,921 S * 4/2003 Brevik D19/34
D474,236 S * 5/2003 Brevik D19/34
D486,856 S * 2/2004 Doctor D19/34
D519,560 S * 4/2006 Roewe D19/34
2002/0062781 A1 * 5/2002 Shannon B42D 9/001
116/234
2012/0326428 A1 * 12/2012 Stones B42D 9/001
281/42
2013/0025530 A1 * 1/2013 Robbins B42D 9/004
116/237

OTHER PUBLICATIONS

Modes4u. <URL: http://www.modes4u.com/en/kawaii/p10893_cute-panda-bears-bookmark-stickers-Post-it.html.> Jan. 4, 2014. Panda bear bookmarks.*

* cited by examiner

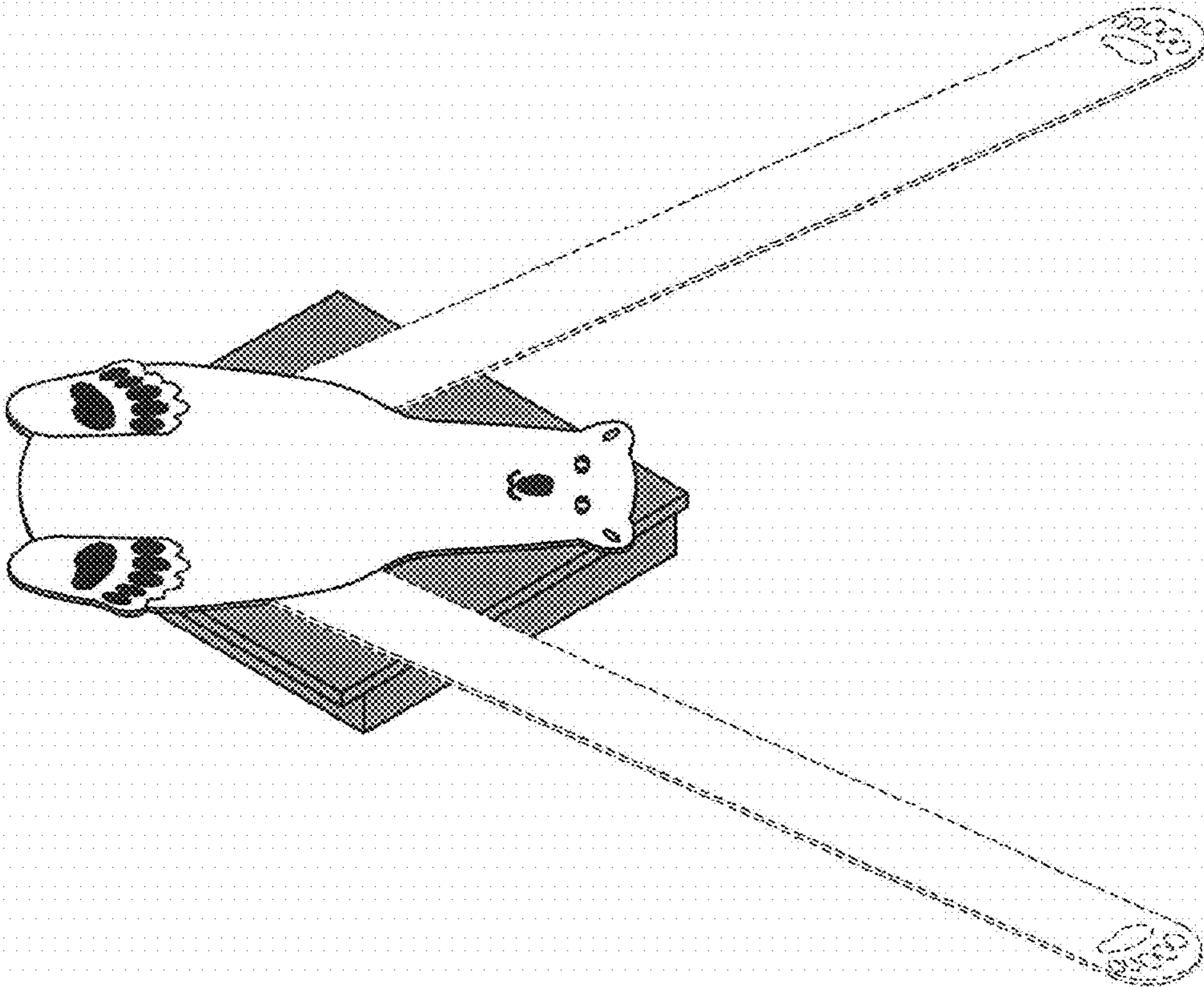


FIG. 1

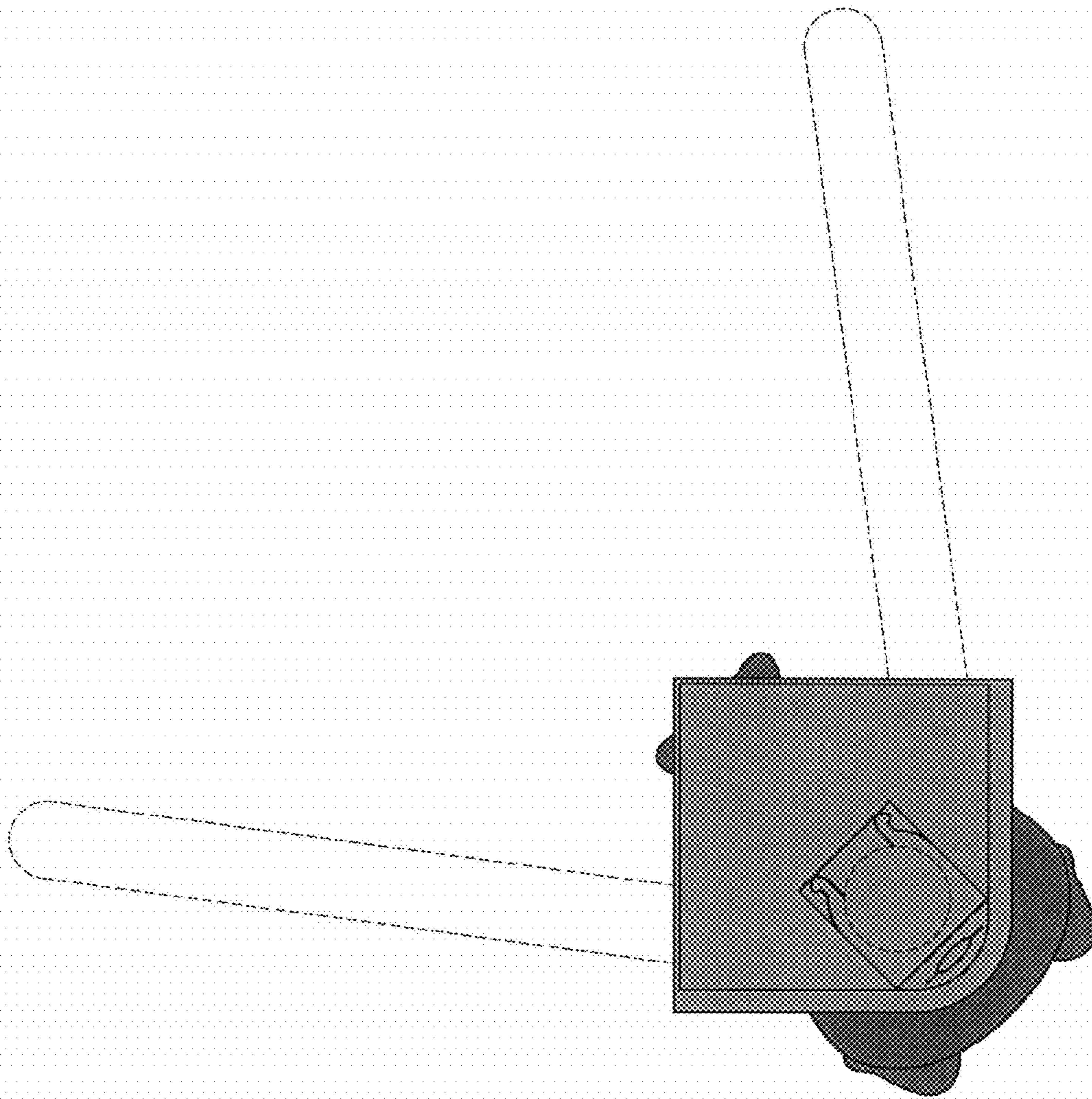


FIG. 2



FIG. 3

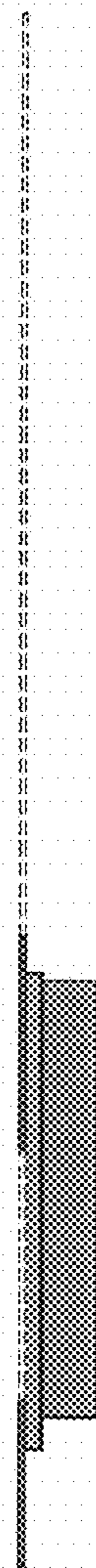


FIG. 4

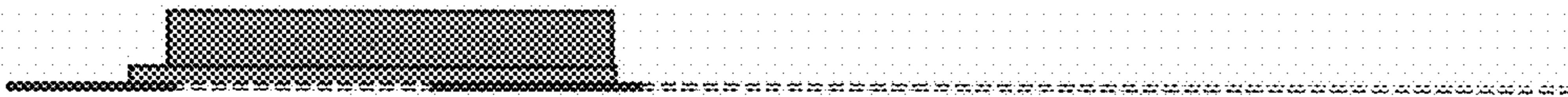


FIG. 5

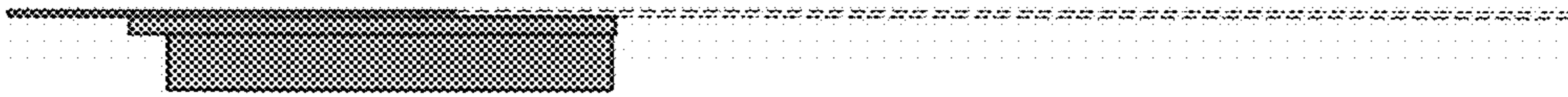


FIG. 6

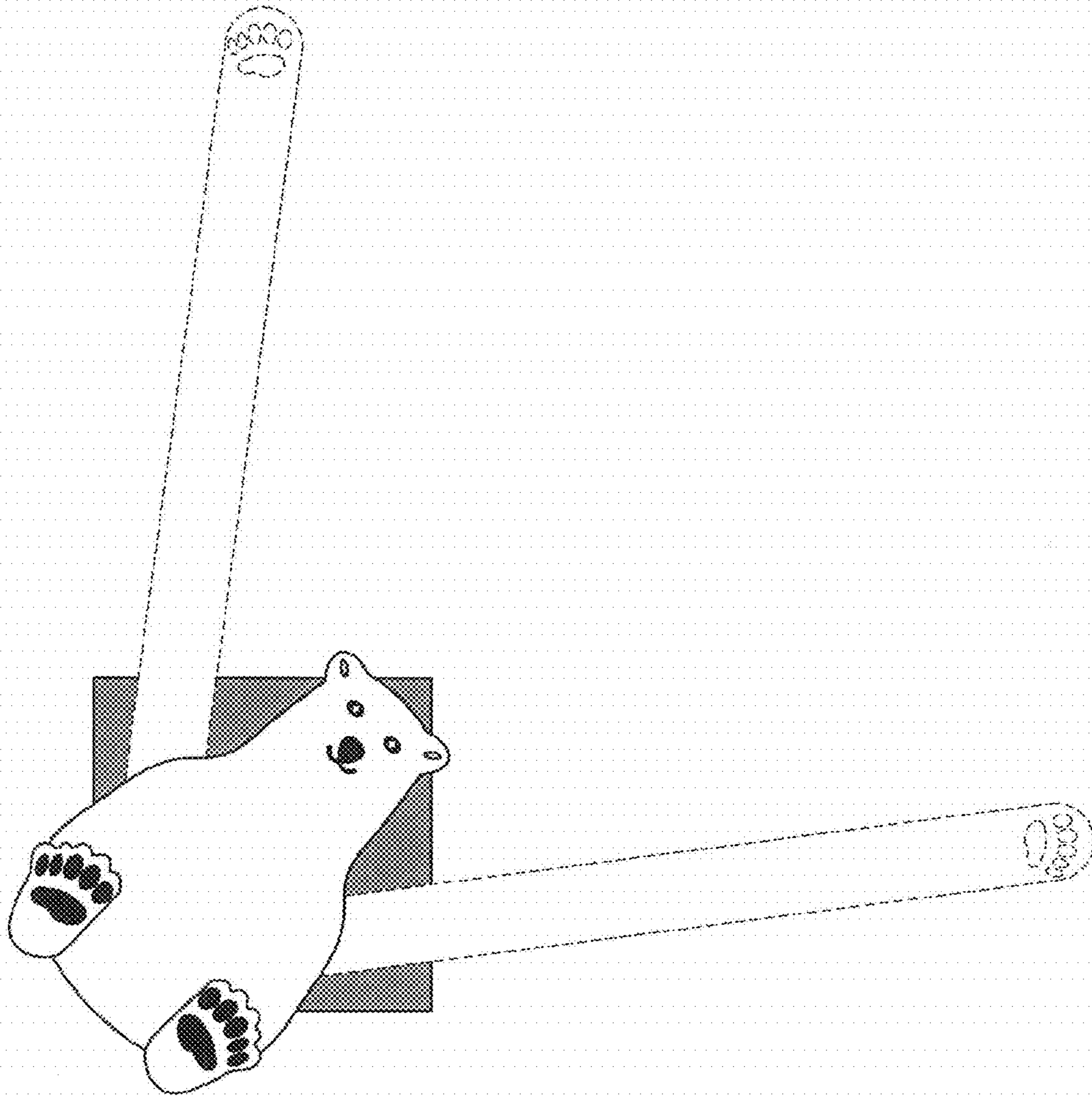


FIG. 7

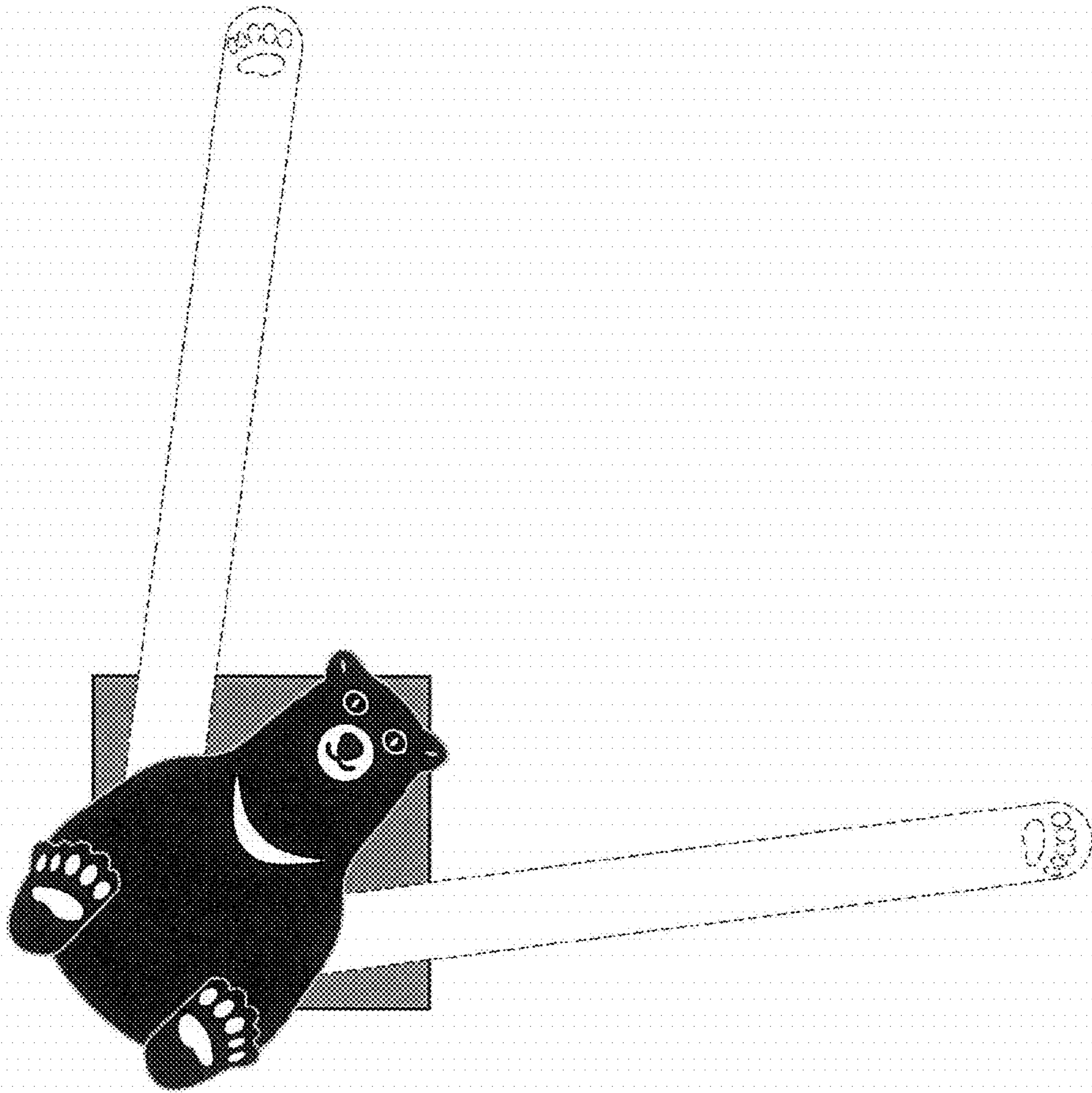


FIG. 8

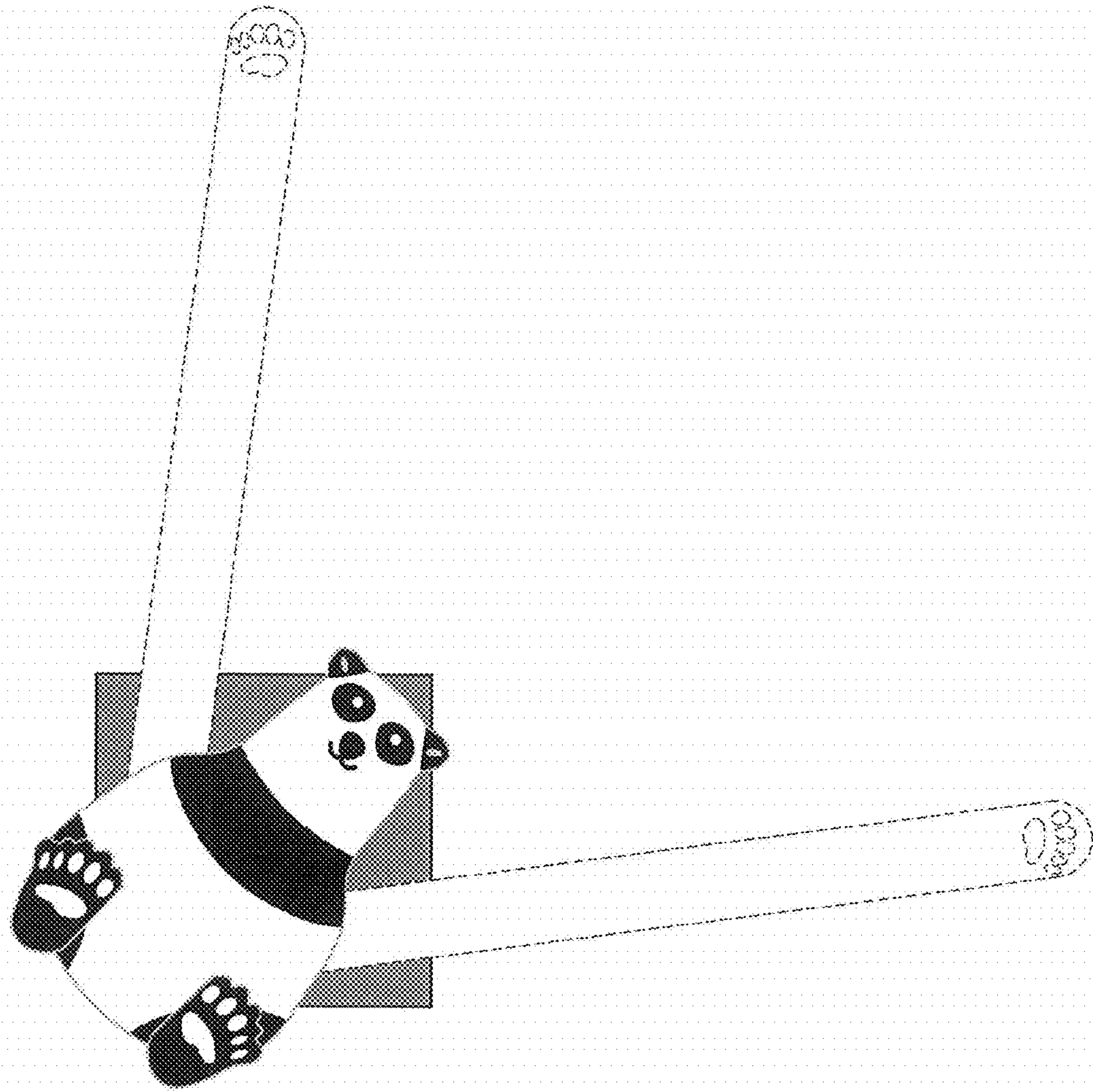


FIG. 9

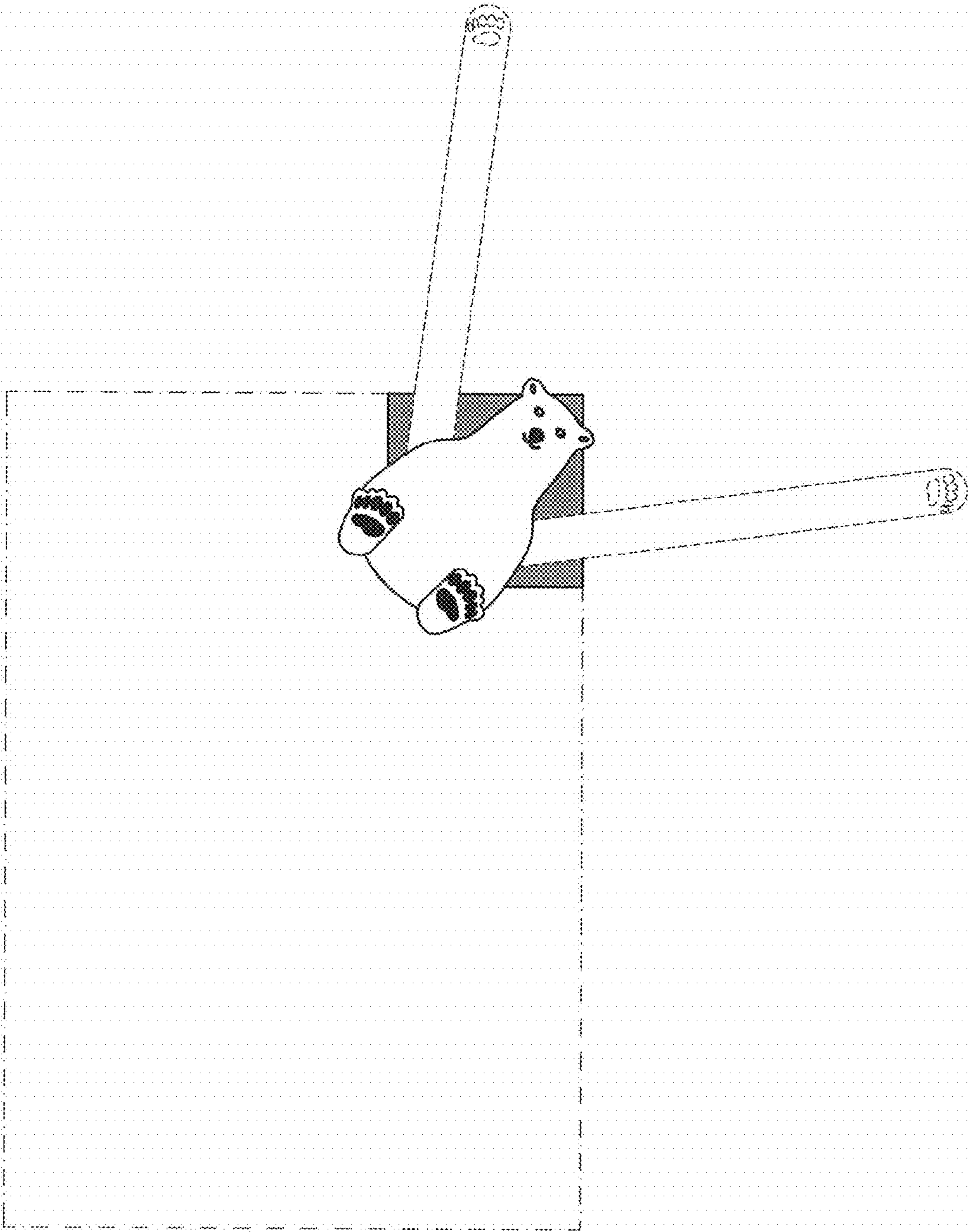


FIG. 10

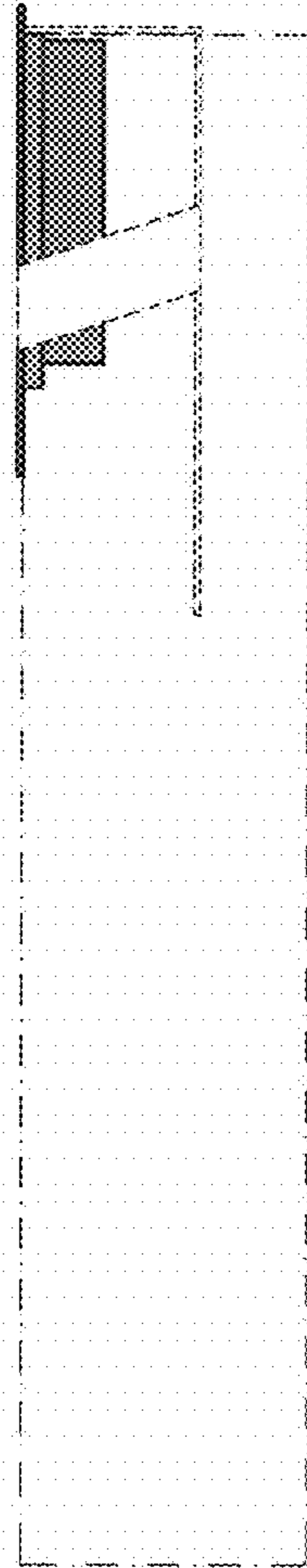


FIG. 11

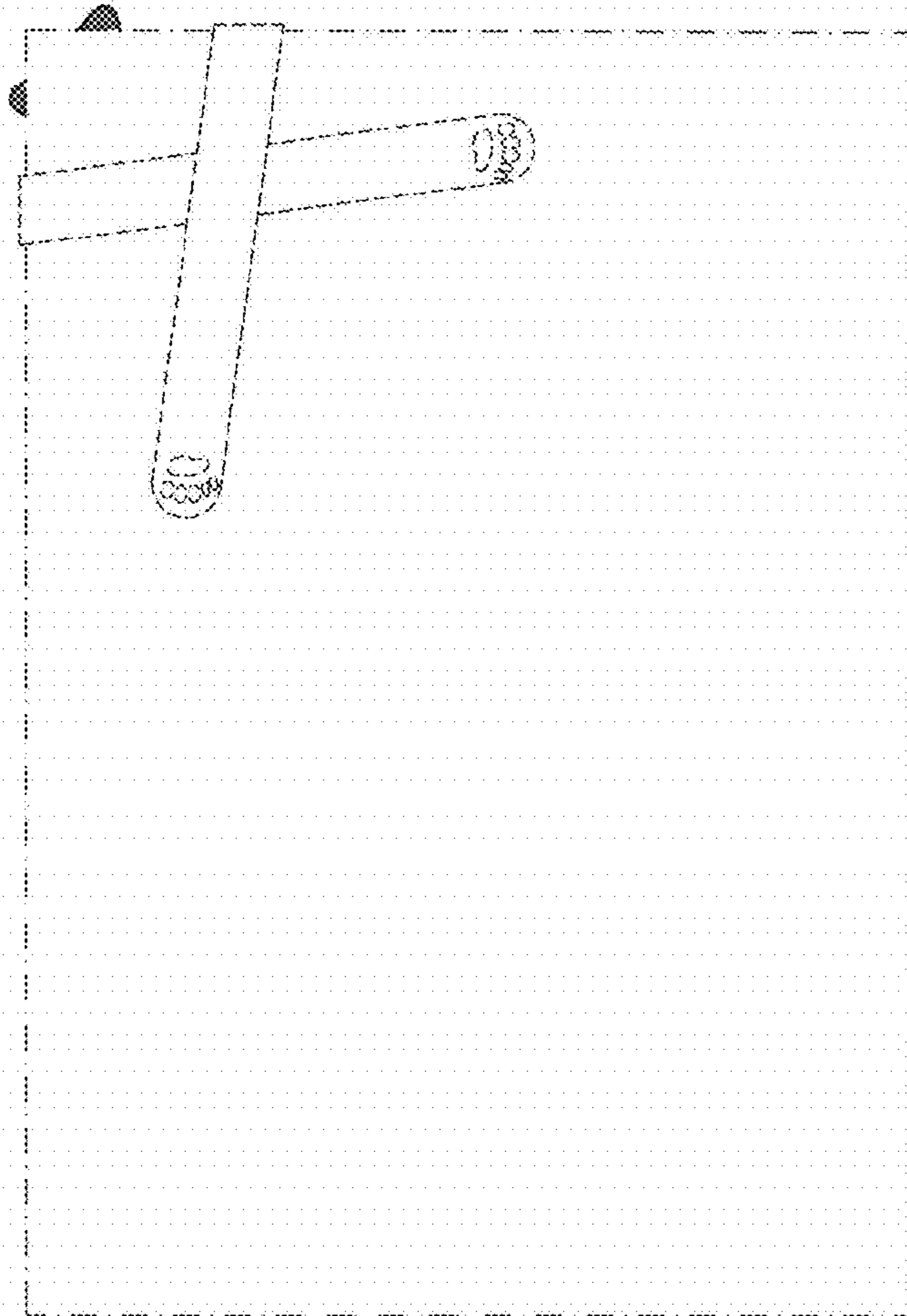


FIG. 12