



US00D828436S

(12) **United States Design Patent**
van Dijk

(10) **Patent No.:** **US D828,436 S**

(45) **Date of Patent:** **** Sep. 11, 2018**

(54) **PAIR OF GLASSES**

(71) Applicant: **Jelle Herman van Dijk**,
Bergschenhoek (NL)

(72) Inventor: **Jelle Herman van Dijk**,
Bergschenhoek (NL)

(73) Assignee: **IC SPACE B.V. BESLOTEN**
VENNOOTSCHAP, Bergschenhoek
(NL)

(**) Term: **15 Years**

(21) Appl. No.: **29/581,681**

(22) Filed: **Oct. 20, 2016**

(51) **LOC (11) Cl.** **16-06**

(52) **U.S. Cl.**
USPC **D16/303**

(58) **Field of Classification Search**
USPC D29/109; D24/110.2; D16/101, 301,
D16/306, 311, 312, 313, 314, 325, 326,
D16/330, 136, 339; 2/426, 429; D8/349
CPC .. A61F 9/045; A61F 9/04; A61F 9/029; A61F
9/025; G02C 9/04; G02C 5/00; G02C
11/10
See application file for complete search history.

(56) **References Cited**

U.S. PATENT DOCUMENTS

3,308,478 A * 3/1967 Tate A61F 9/045
2/12
3,629,870 A * 12/1971 Paisley A61F 9/045
2/13

D238,831 S * 2/1976 Helfand 2/12
D268,593 S * 4/1983 Harper D16/340
D374,950 S * 10/1996 Clark D29/109
5,661,534 A * 8/1997 Gill A61F 9/045
2/12
5,692,522 A * 12/1997 Landis A61F 9/02
128/857
6,168,278 B1 * 1/2001 Mukai A61F 9/022
351/158
D645,893 S * 9/2011 Gebhard D16/306
D663,351 S * 7/2012 Stahl D16/306

* cited by examiner

Primary Examiner — Ruth McInroy

(74) *Attorney, Agent, or Firm* — Inventa Capital PLC

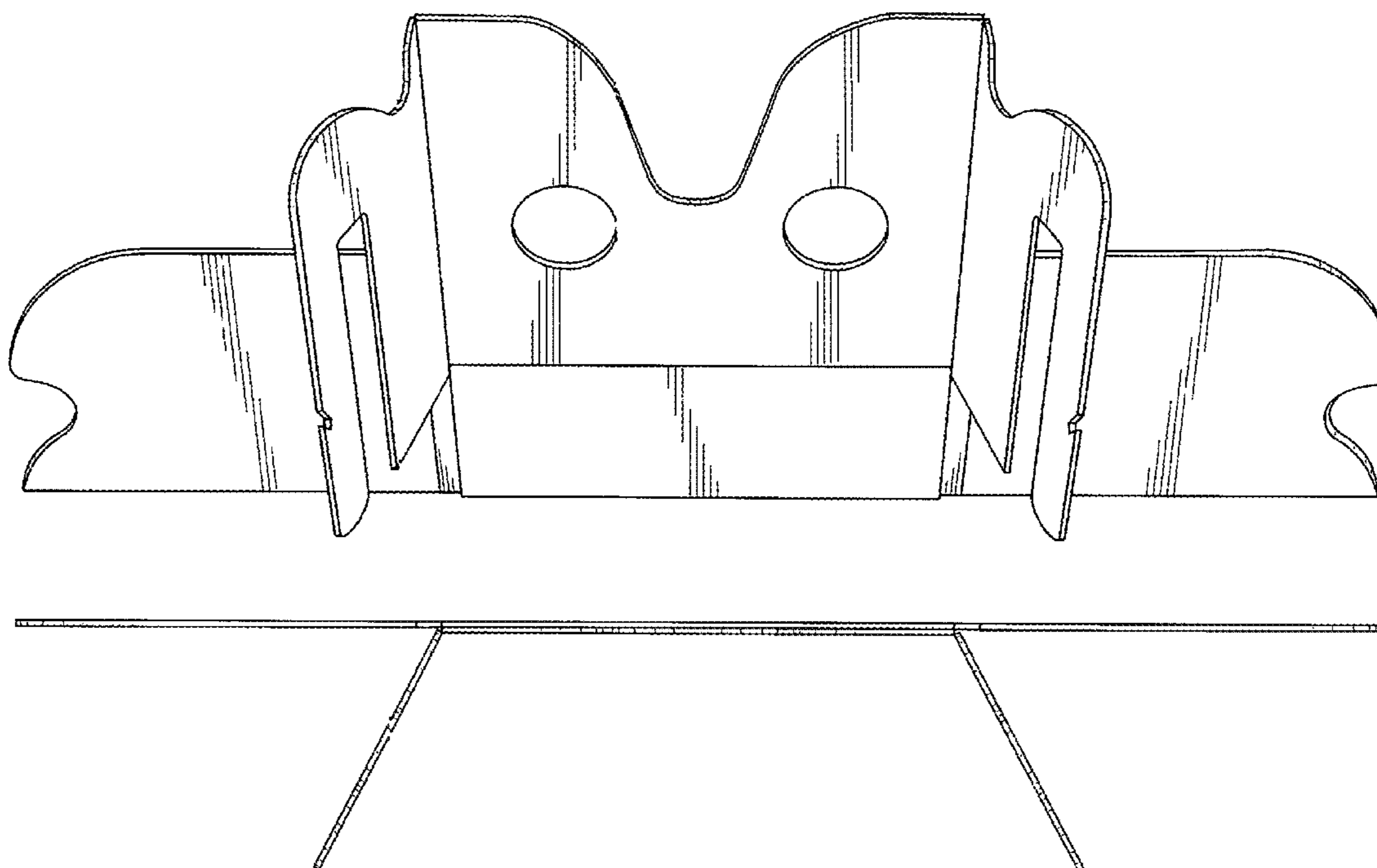
(57) **CLAIM**

I claim the ornamental design for a pair of eyeglasses, as shown and described.

DESCRIPTION

FIG. 1 is a perspective view of a pair of eyeglasses in partially folded position;
FIG. 2 is a perspective view of the pair of eyeglasses in an unfolded position;
FIG. 3 is a perspective view of the pair of eyeglasses as shown in FIG. 2 but taken from the top;
FIG. 4 is an exploded perspective view thereof, showing the support frame disengaged from the pair of eyeglasses;
FIG. 5 is a rear view thereof in full assembly;
FIG. 6 is a side view of FIG. 2; and,
FIG. 7 is a top view of FIG. 6.

1 Claim, 6 Drawing Sheets



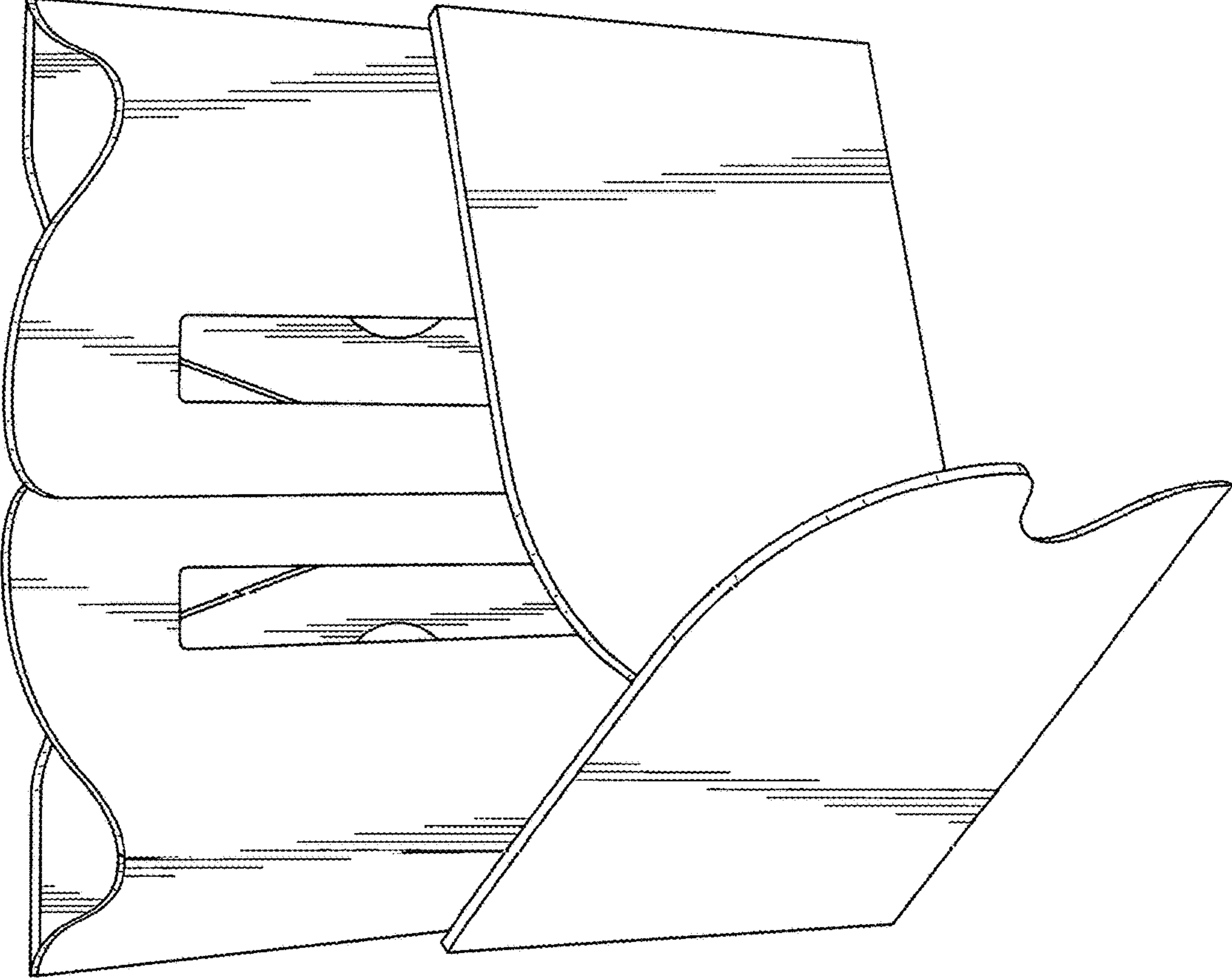


FIG. 1

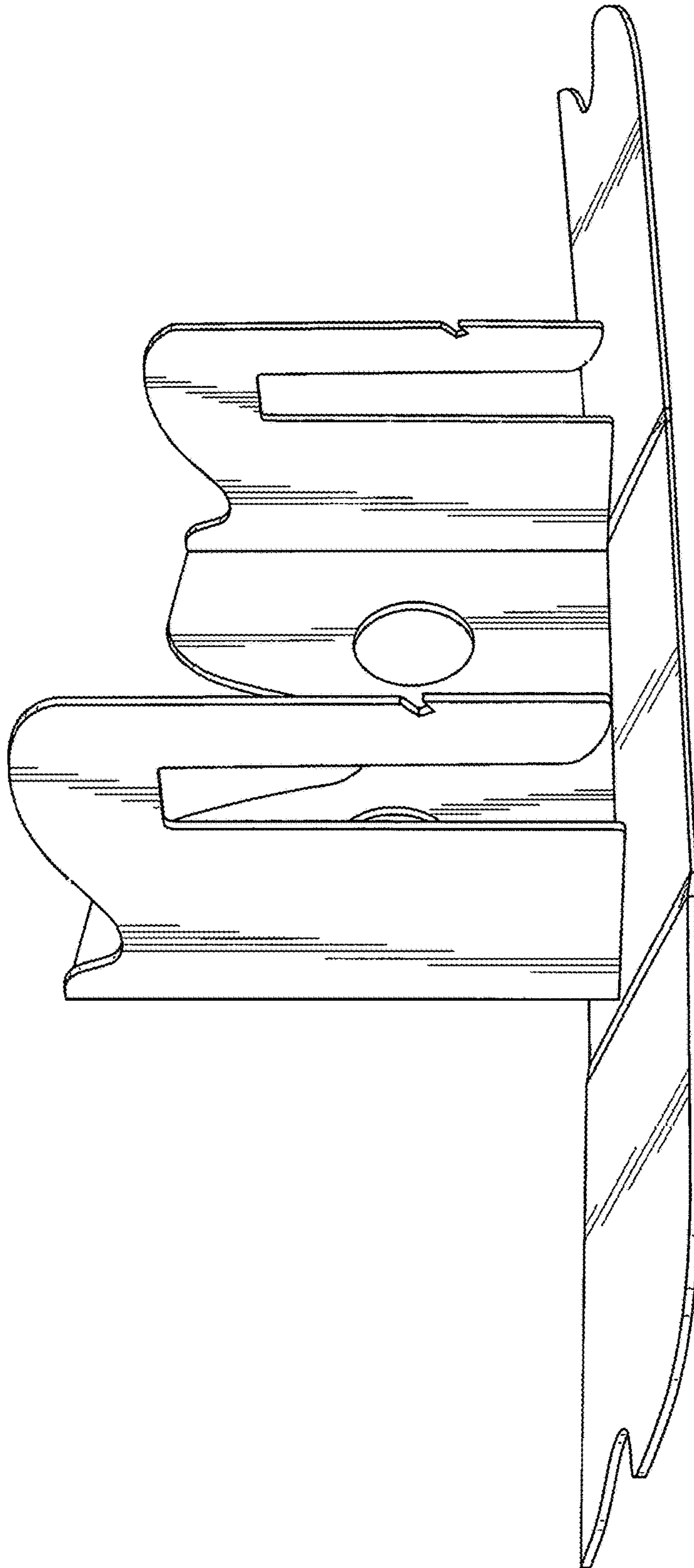


FIG. 2

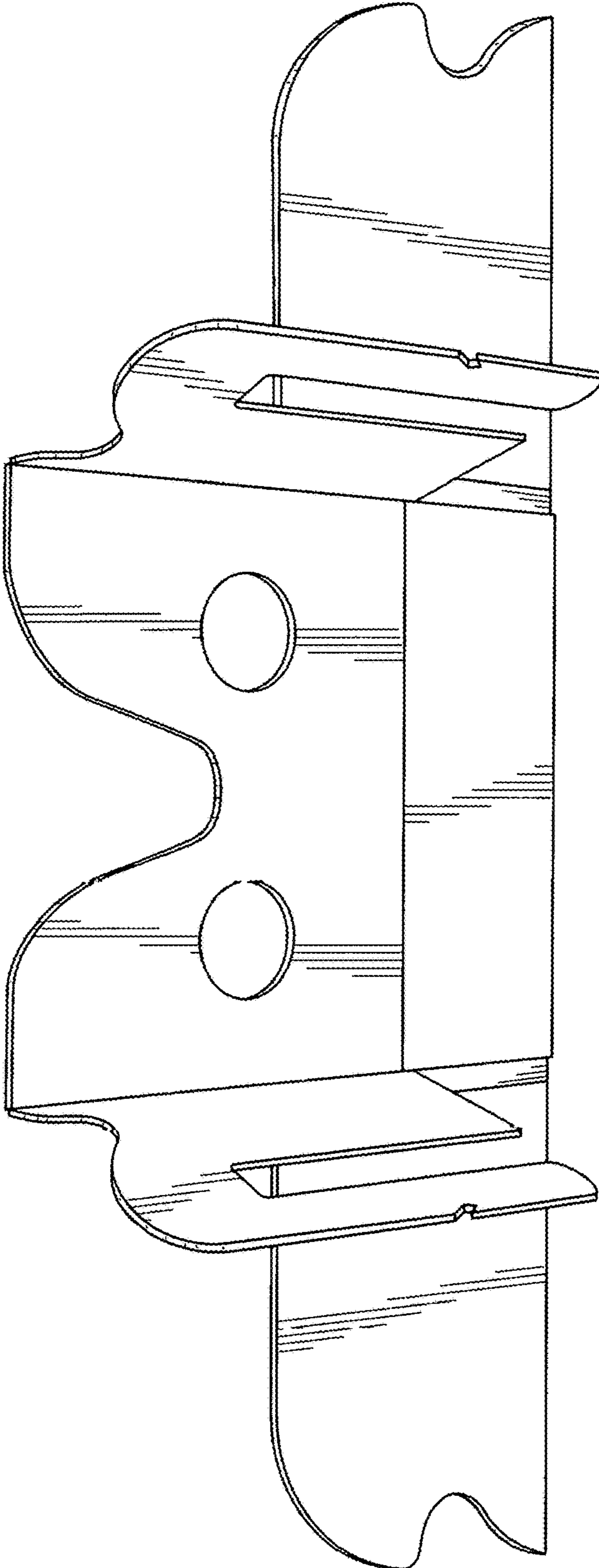
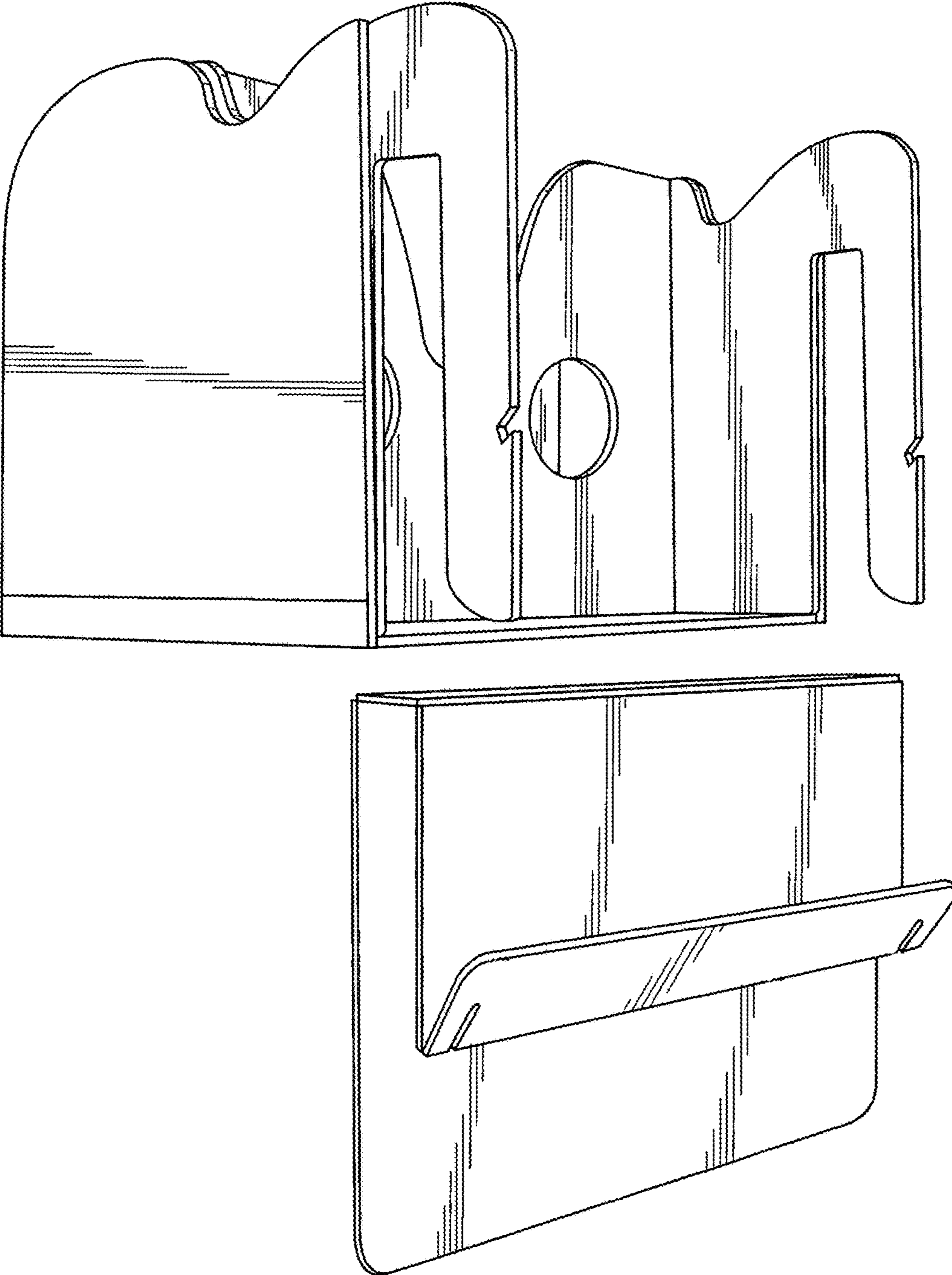


FIG. 3

FIG. 4



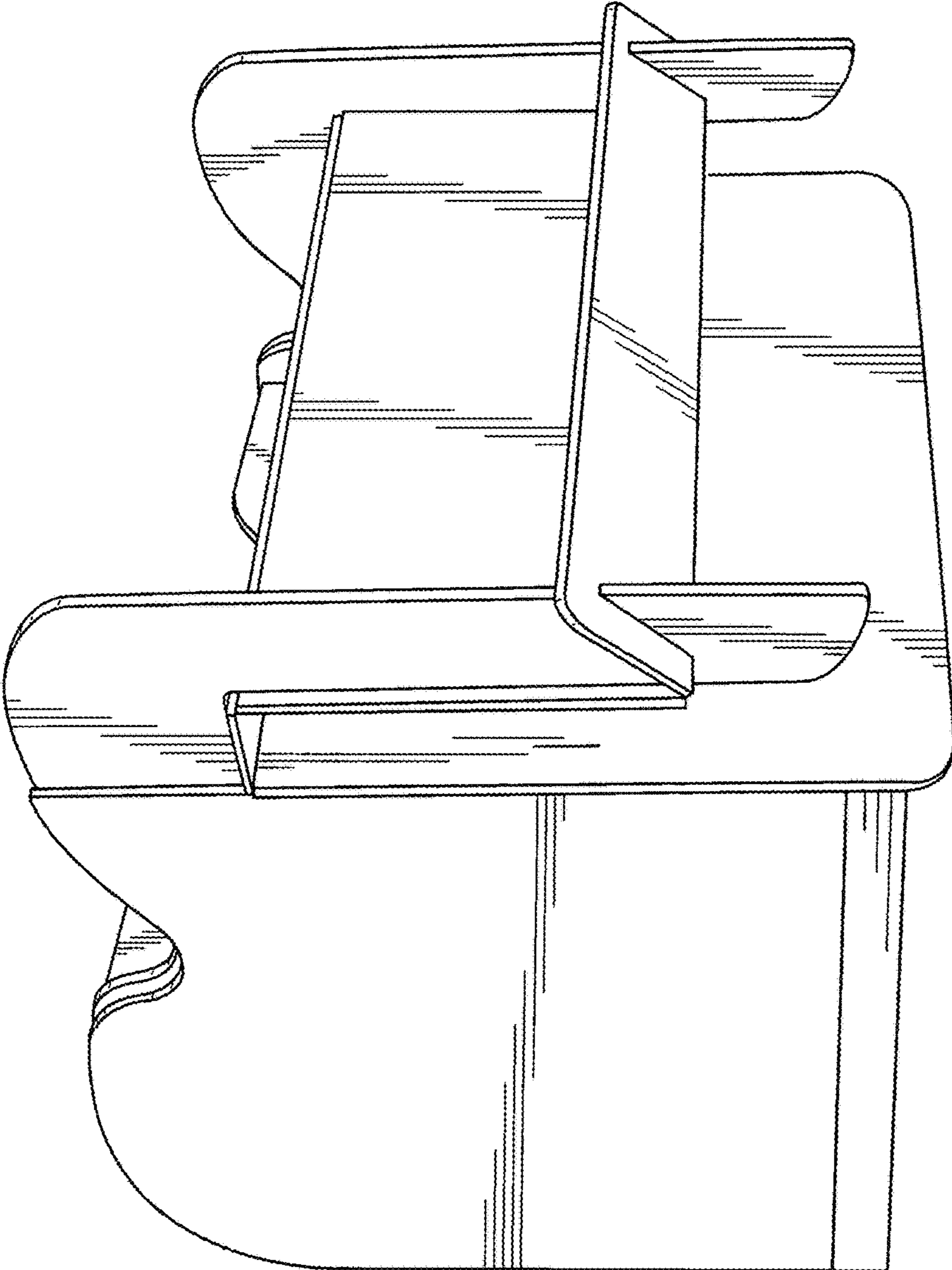


FIG. 5

FIG. 6

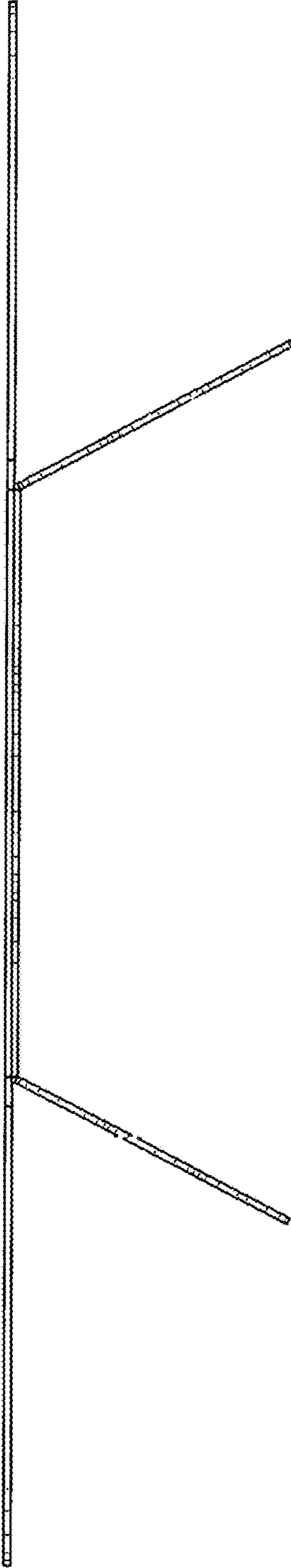


FIG. 7

