



US00D828435S

(12) **United States Design Patent**
Overall

(10) **Patent No.:** **US D828,435 S**
(45) **Date of Patent:** **** Sep. 11, 2018**

(54) **CAMERA MOUNT**

FOREIGN PATENT DOCUMENTS

(71) Applicant: **Jeff Overall**, Costa Mesa, CA (US)

CA 150297 * 3/2013

(72) Inventor: **Jeff Overall**, Costa Mesa, CA (US)

OTHER PUBLICATIONS

(**) Term: **15 Years**

The PolarPro Katana Mavic Tray turns your DJI Mavic Pro into a handheld stabilizer. Online, published date Apr. 19, 2017 from URL: <https://www.dpreview.com/news/6544414704/the-polarpro-katana-mavic-tray-turns-your-dji-mavic-pro-into-a-handheld-stabilizer>.*

(21) Appl. No.: **29/603,975**

(22) Filed: **May 15, 2017**

(51) **LOC (11) Cl.** **16-05**

(52) **U.S. Cl.**

USPC **D16/242**

(58) **Field of Classification Search**

USPC D16/208, 213–219, 235–250; D14/217, D14/229, 250–253; D8/363, 373, 394

CPC G03B 17/02–17/04; G03B 17/14; G03B 17/56; G03B 17/561–17/568; G03B

21/20; G02B 7/00–7/002; F16M 11/02;

F16M 11/04; F16M 11/20; F16M 11/40

See application file for complete search history.

* cited by examiner

Primary Examiner — Karen S Acker

Assistant Examiner — Omeed Agilee

(57)

CLAIM

The ornamental design for a camera mount, as shown and described.

(56)

References Cited

DESCRIPTION

U.S. PATENT DOCUMENTS

D290,709 S * 7/1987 Hedrick D16/243

D298,760 S * 11/1988 Yoshida D16/242

5,927,681 A * 7/1999 Ovelman F16M 11/32
248/177.1

D570,396 S * 6/2008 Foddis D16/242

D659,178 S * 5/2012 Huang D16/242

D764,565 S * 8/2016 Tekunoff D16/242

D791,856 S * 7/2017 Sponring D16/242

D795,328 S * 8/2017 Martin D16/242

2010/0072331 A1 * 3/2010 Barton A45C 9/00
248/176.1

2017/0115551 A1 * 4/2017 Pan F16F 15/28

FIG. 1 is a front perspective view of the camera mount showing my new design;

FIG. 2 is a front elevation view thereof;

FIG. 3 is a rear elevation view thereof;

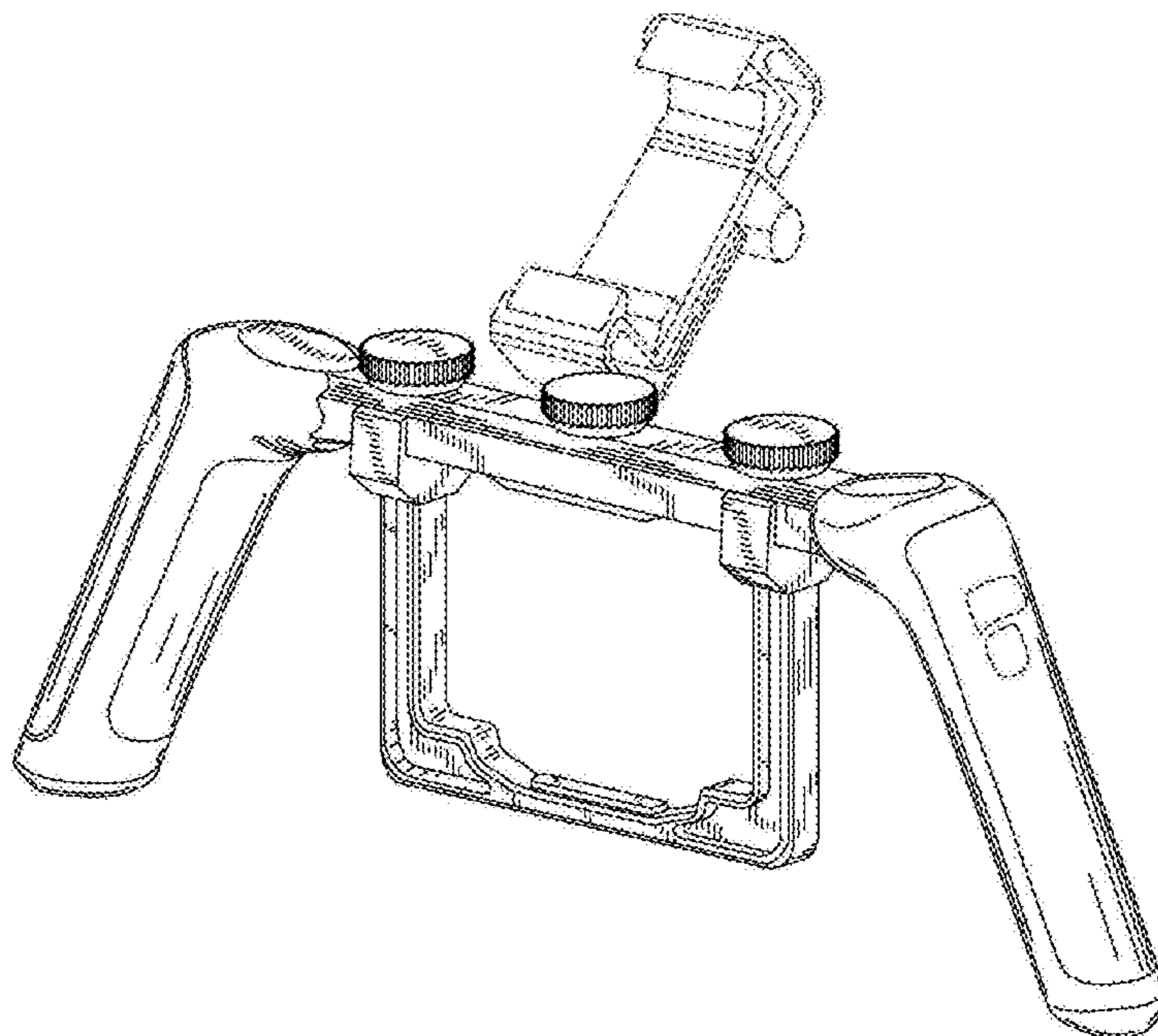
FIG. 4 is a top plan view thereof;

FIG. 5 is a bottom plan view thereof; and,

FIG. 6 is a left side elevation view thereof; the right side elevation view being a mirror image thereof.

The broken lines shown in the drawings illustrate portions of the camera mount that form no part of the claimed design.

1 Claim, 4 Drawing Sheets



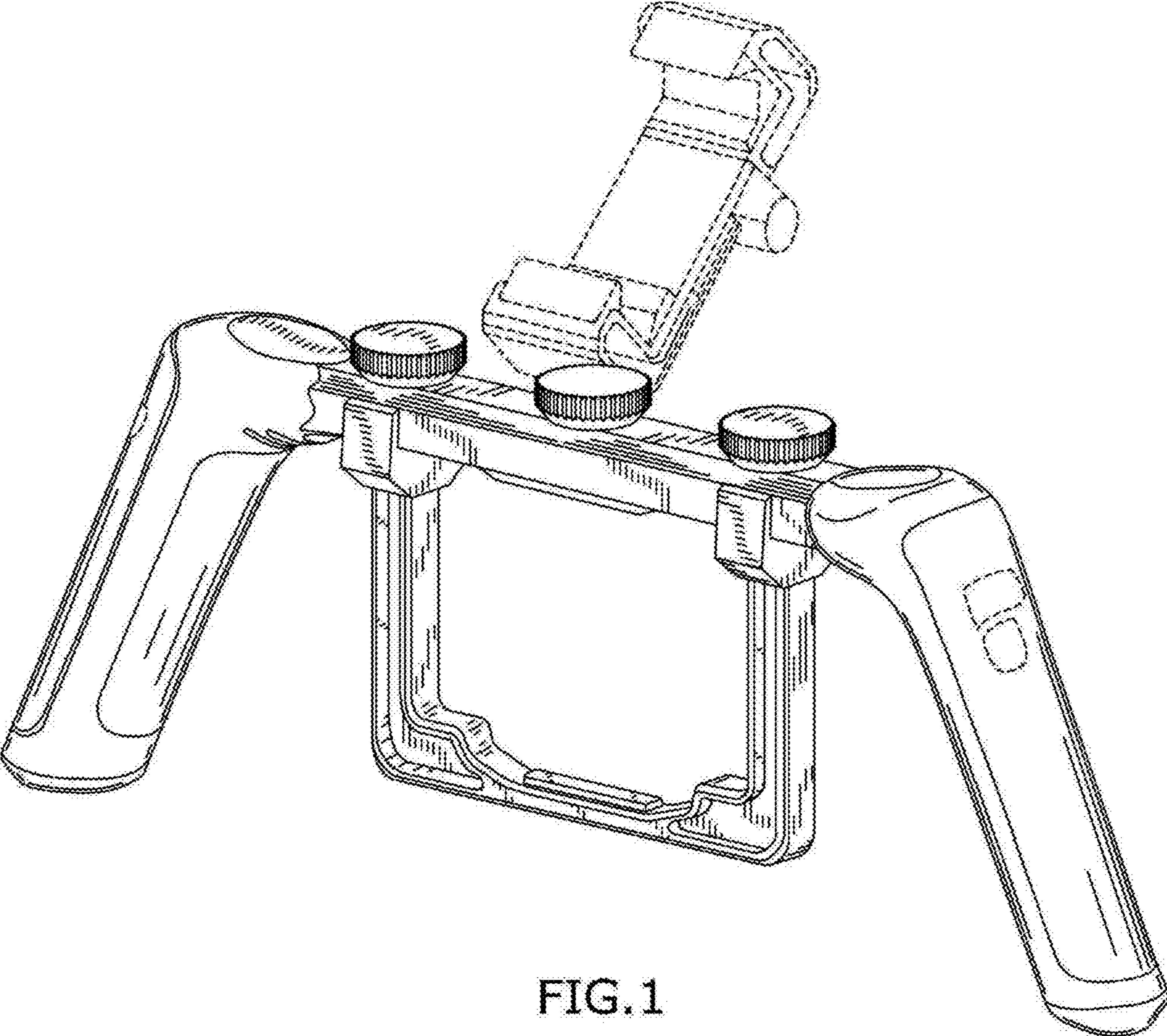


FIG.1

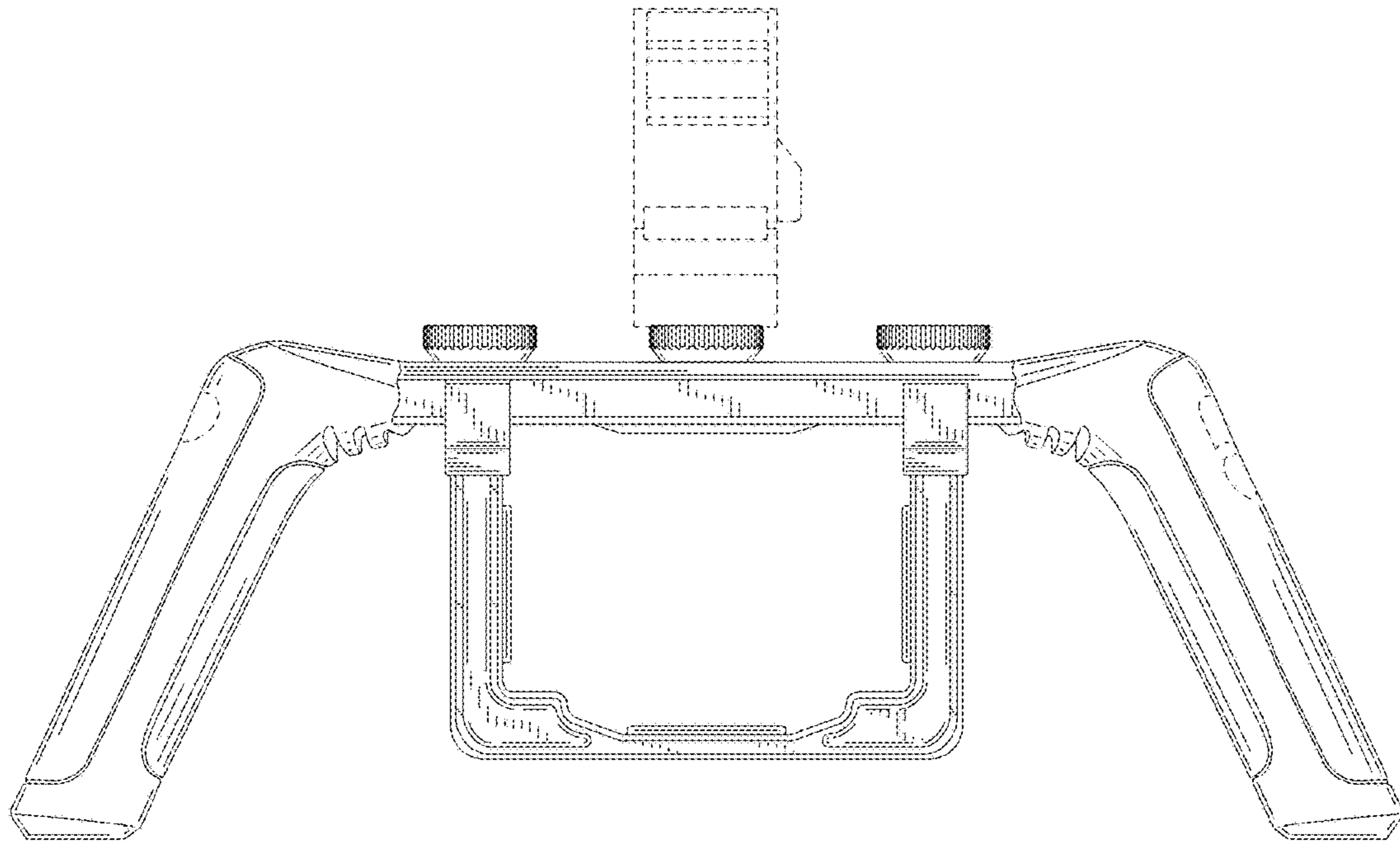


FIG. 2

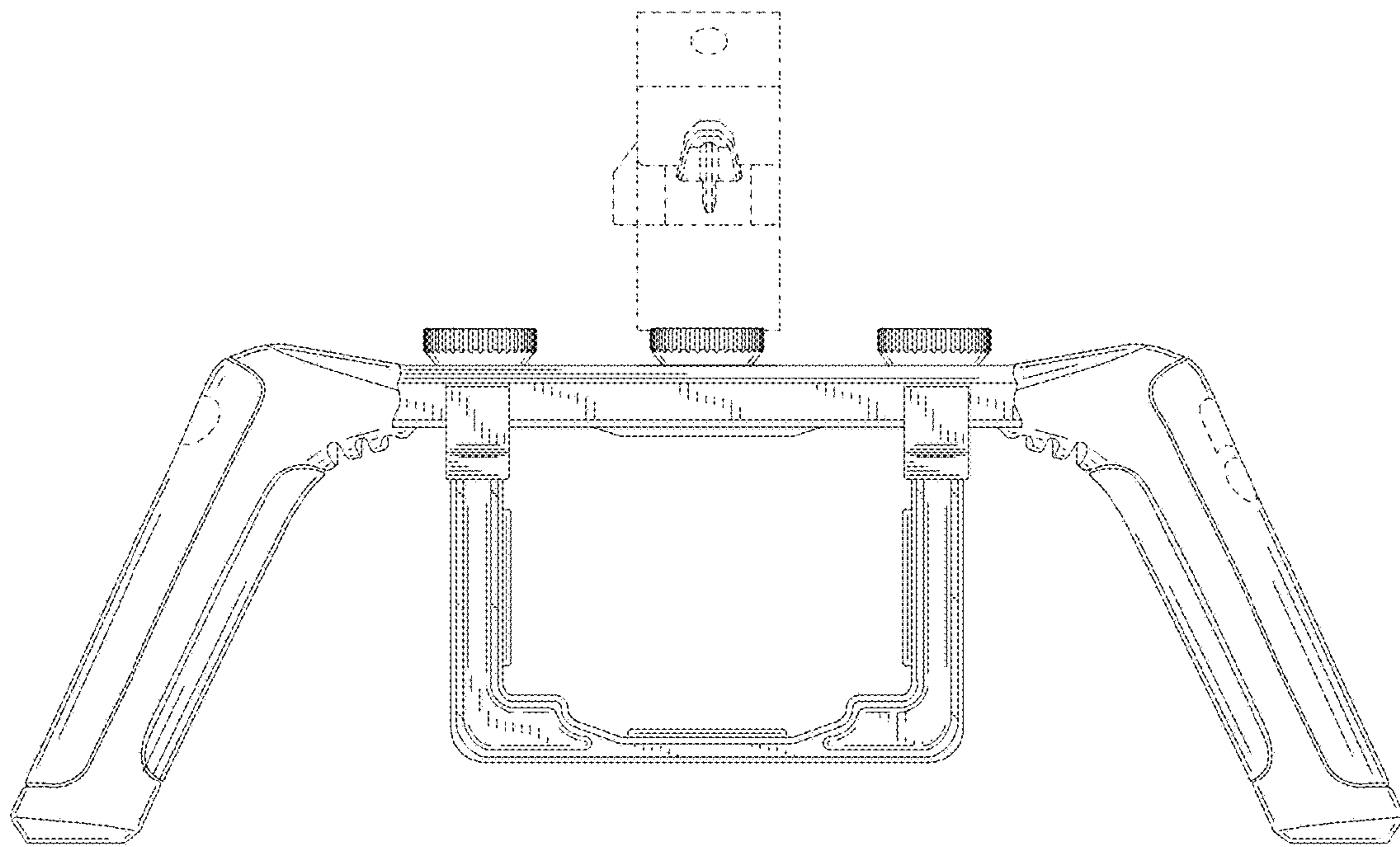


FIG. 3

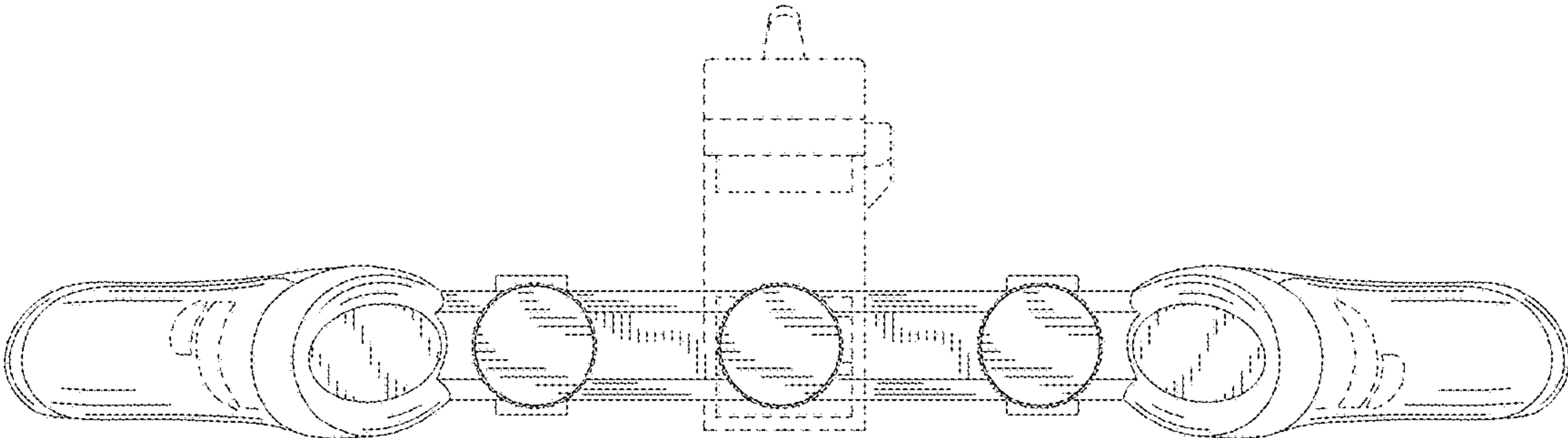


FIG.4

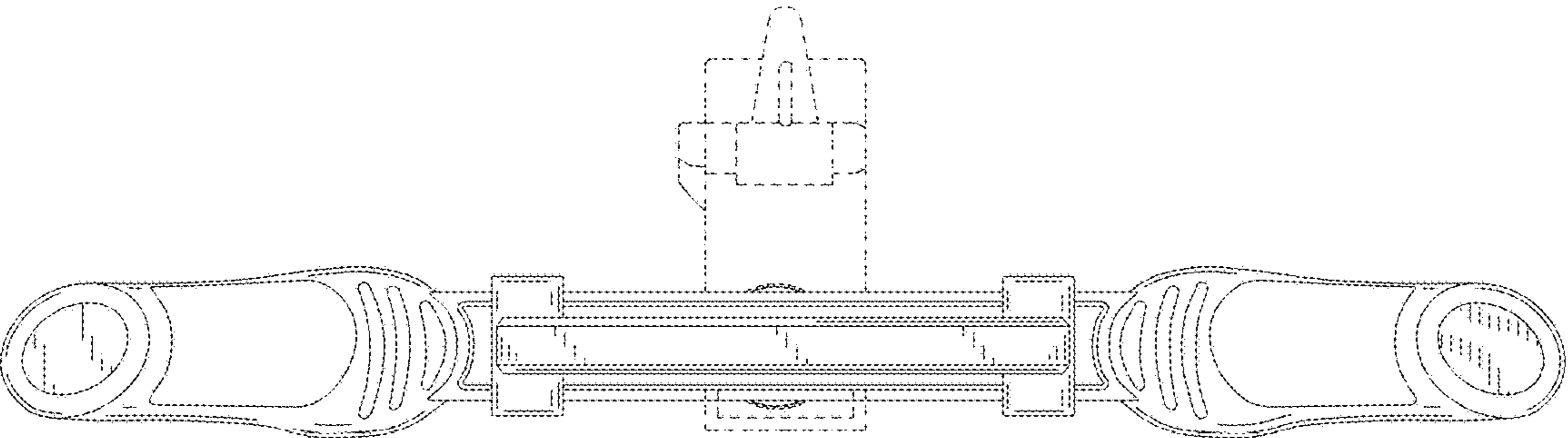


FIG.5

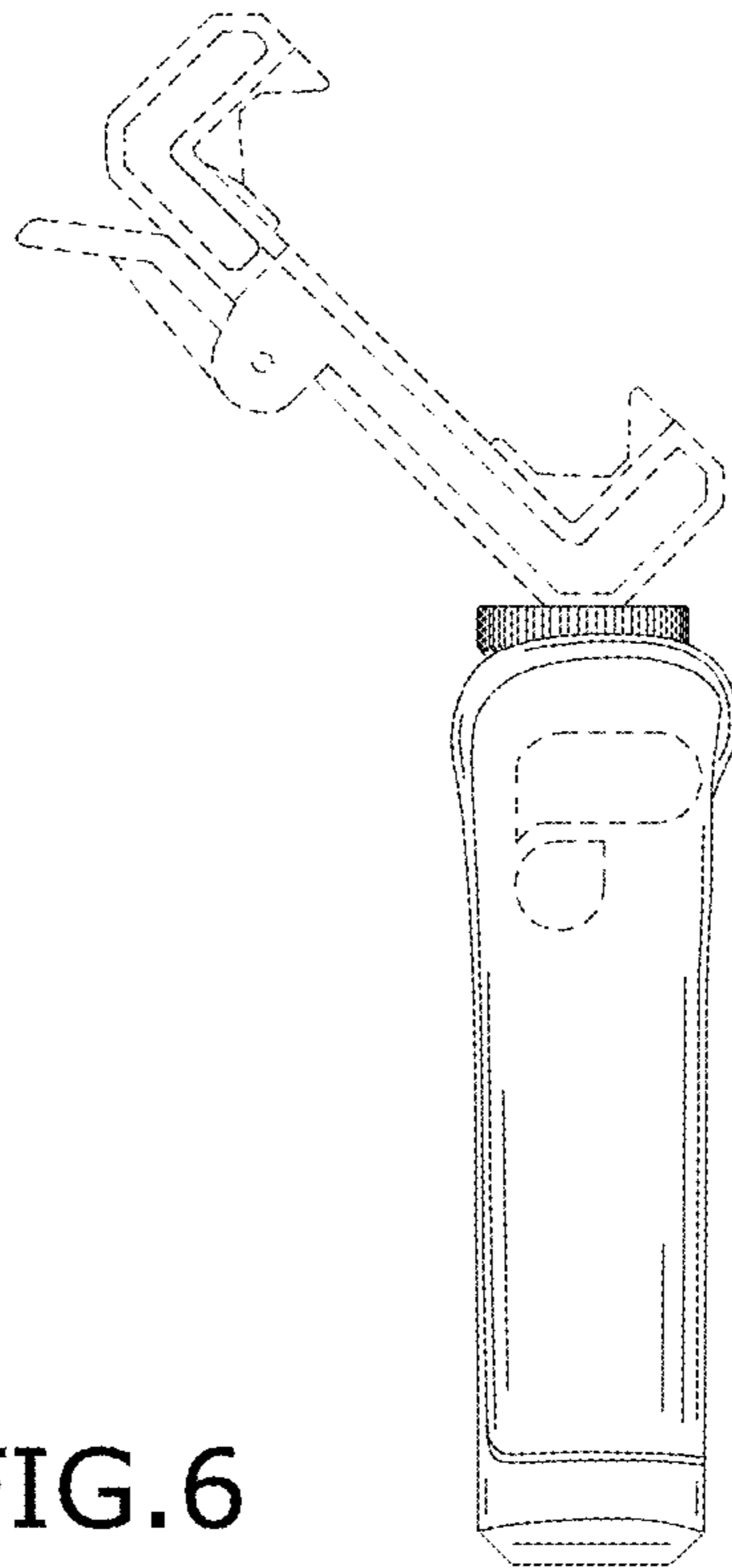


FIG.6