



US00D828434S

(12) **United States Design Patent**
Kim et al.

(10) **Patent No.:** **US D828,434 S**
(45) **Date of Patent:** **** Sep. 11, 2018**

(54) GIMBAL	8,094,414 B1 * 1/2012 Cheng G11B 5/4826 360/244.5
(71) Applicant: SZ DJI Osmo Technology Co., Ltd., Shenzhen (CN)	D723,090 S 2/2015 Firchau et al. D732,103 S * 6/2015 Roper D16/243 9,196,274 B2 * 11/2015 Stephan G11B 5/48 D759,335 S 6/2016 Kim et al. D785,893 S * 5/2017 Kim D34/28 D794,109 S * 8/2017 Zheng D16/242 D808,458 S * 1/2018 Kim D16/242
(72) Inventors: Min Kim, Shenzhen (CN); Jaewan Jeong, Shenzhen (CN)	
(73) Assignee: SZ DJI Osmo Technology Co., Ltd., Shenzhen (CN)	* cited by examiner

(**) Term: **15 Years**

Primary Examiner — Cynthia Ramirez
(74) *Attorney, Agent, or Firm* — Sterne, Kessler,
Goldstein & Fox P.L.L.C.

(21) Appl. No.: **29/589,108**

(22) Filed: **Dec. 28, 2016**

(57) **CLAIM**

(51) **LOC (11) Cl.** **16-05**

The ornamental design for a gimbal, as shown and described.

(52) **U.S. Cl.**
USPC **D16/242**

DESCRIPTION

(58) **Field of Classification Search**
USPC D34/28; D16/205, 208, 211–214,
D16/218–220, 235, 237–250; D14/217,
D14/251, 253, 447, 452
CPC G03B 17/561; F16M 13/04; F16M 13/00;
G02B 27/646
See application file for complete search history.

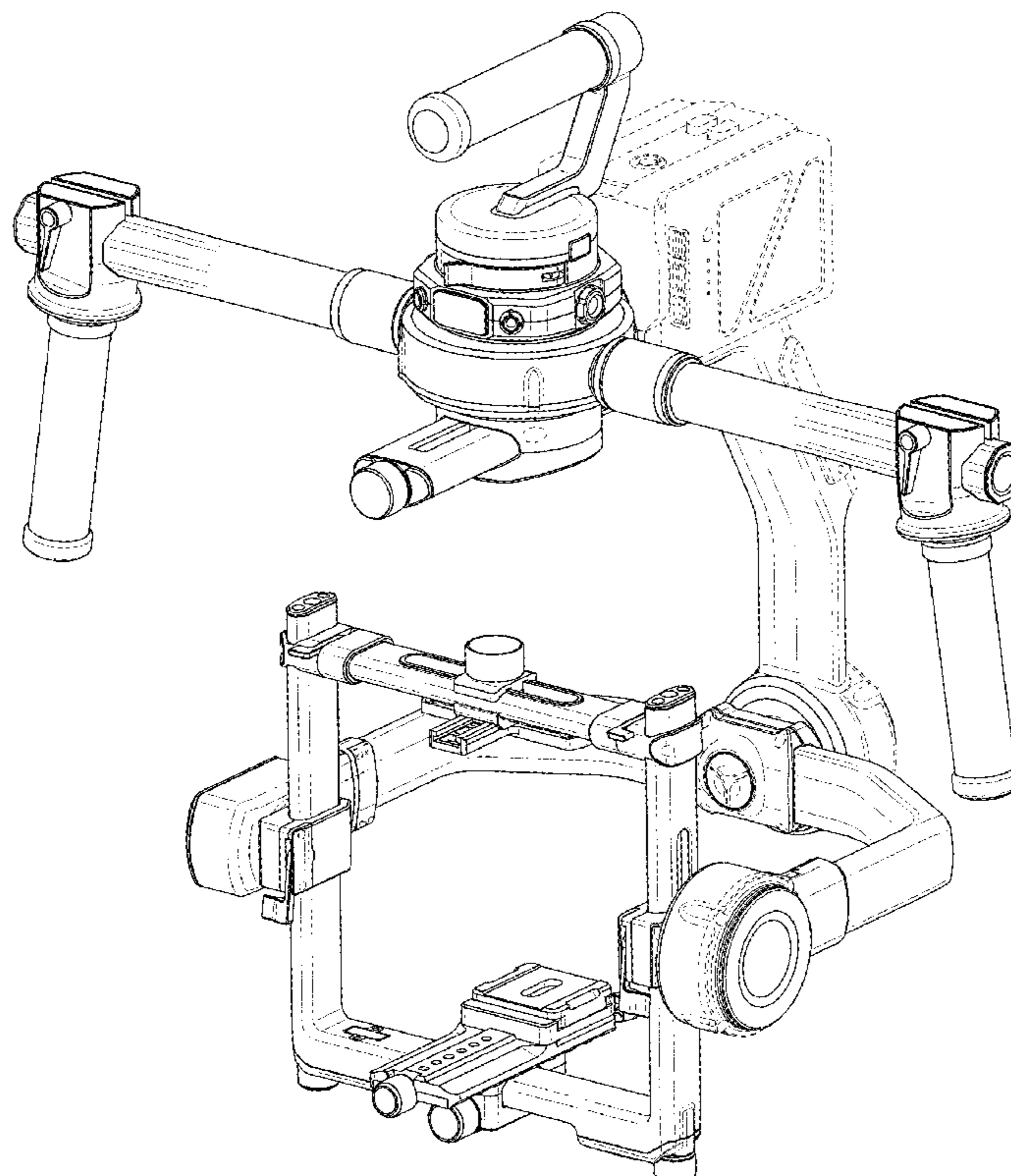
FIG. 1 is a top front perspective view of a gimbal showing the claimed design;
FIG. 2 is a top rear perspective view thereof;
FIG. 3 is a front view thereof;
FIG. 4 is a rear view thereof;
FIG. 5 is a left side view thereof;
FIG. 6 is a right side view thereof;
FIG. 7 is a top view thereof; and,
FIG. 8 is a bottom view thereof.
The broken lines in the figures show portions of the gimbal that form no part of the claimed design.

(56) **References Cited**

U.S. PATENT DOCUMENTS

5,632,475 A *	5/1997	McCanse	B25H 1/0007 254/134
6,116,577 A *	9/2000	McCanse	B66F 9/08 254/2 B

1 Claim, 8 Drawing Sheets



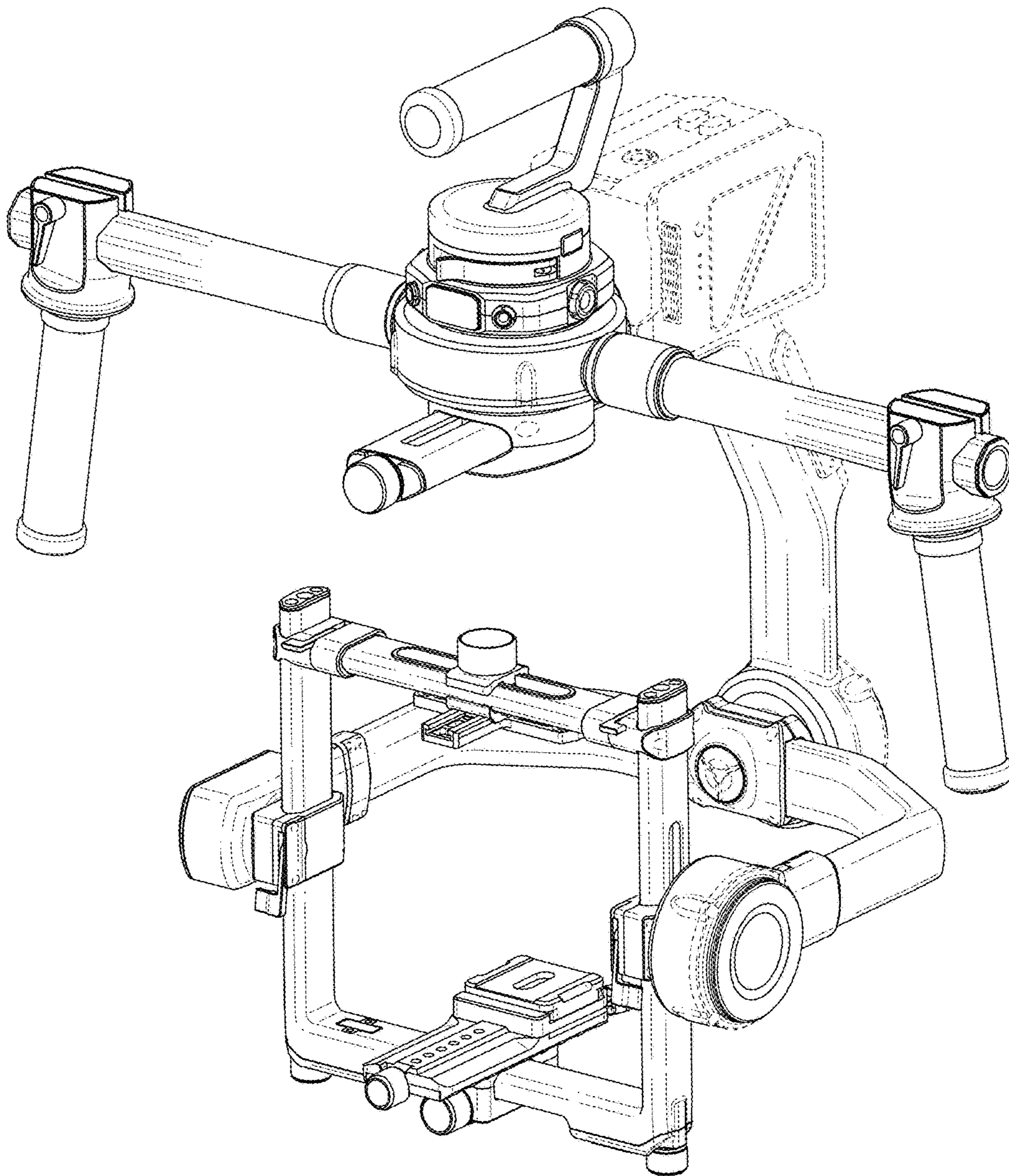


FIG. 1

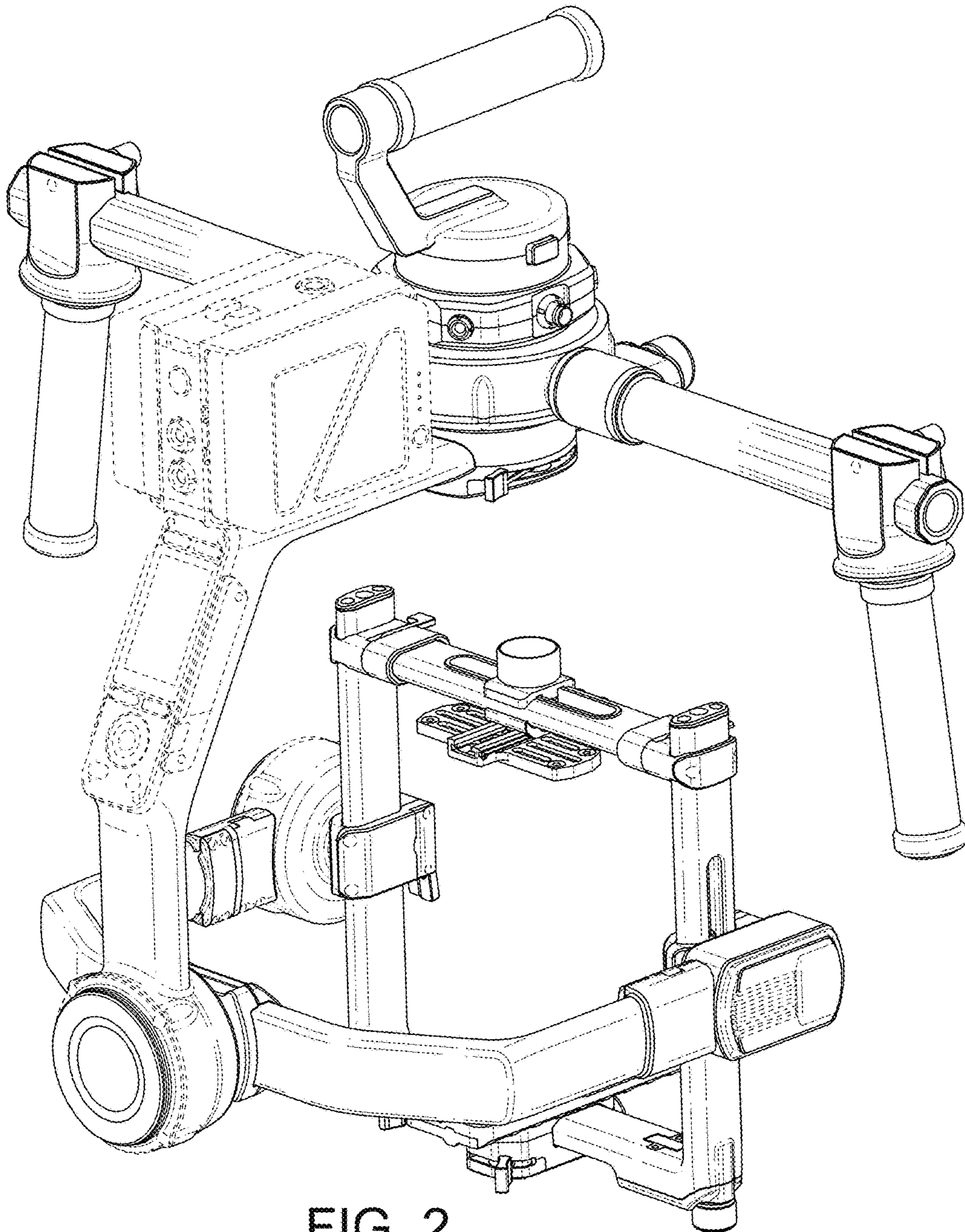


FIG. 2

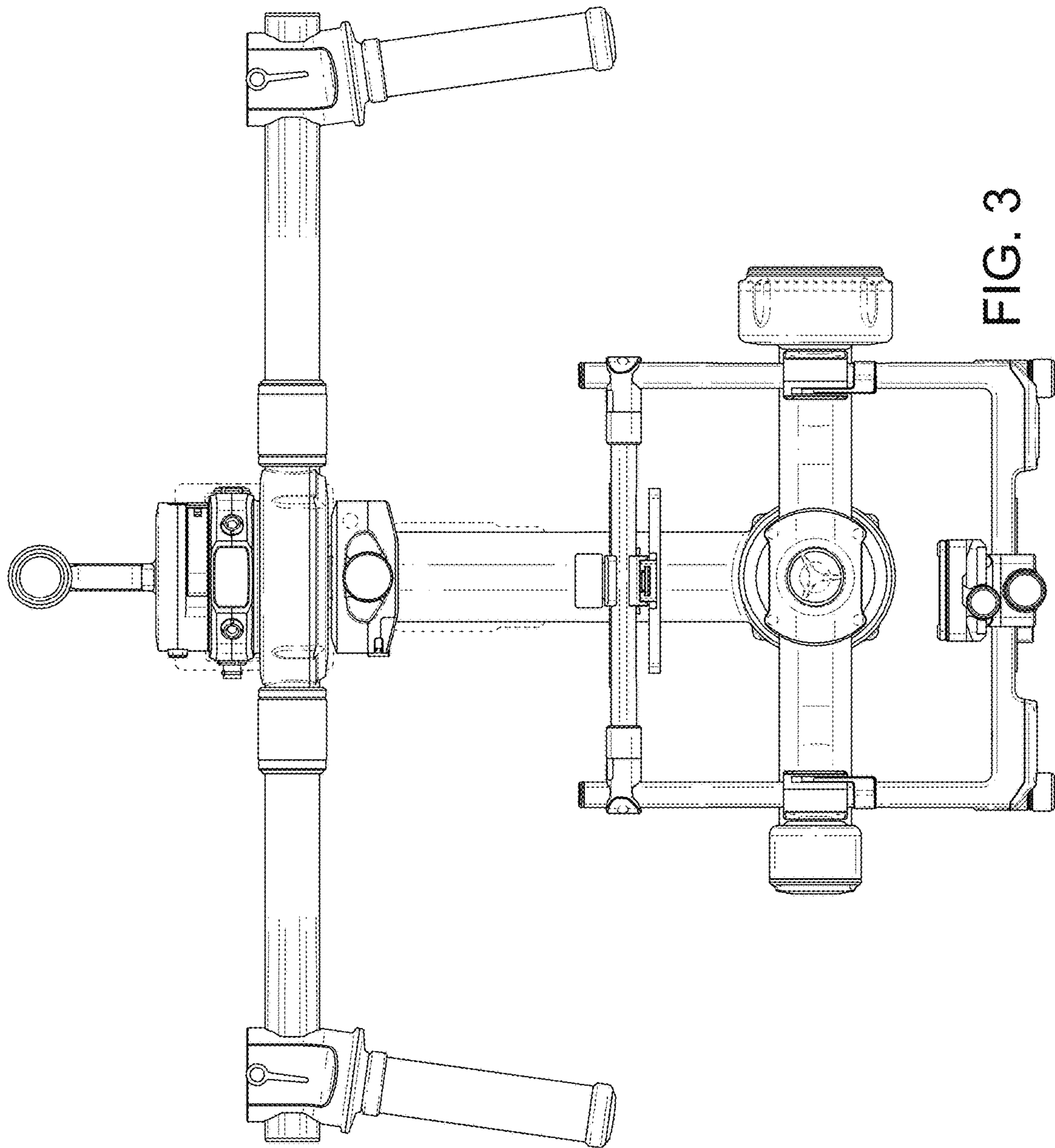


FIG. 3

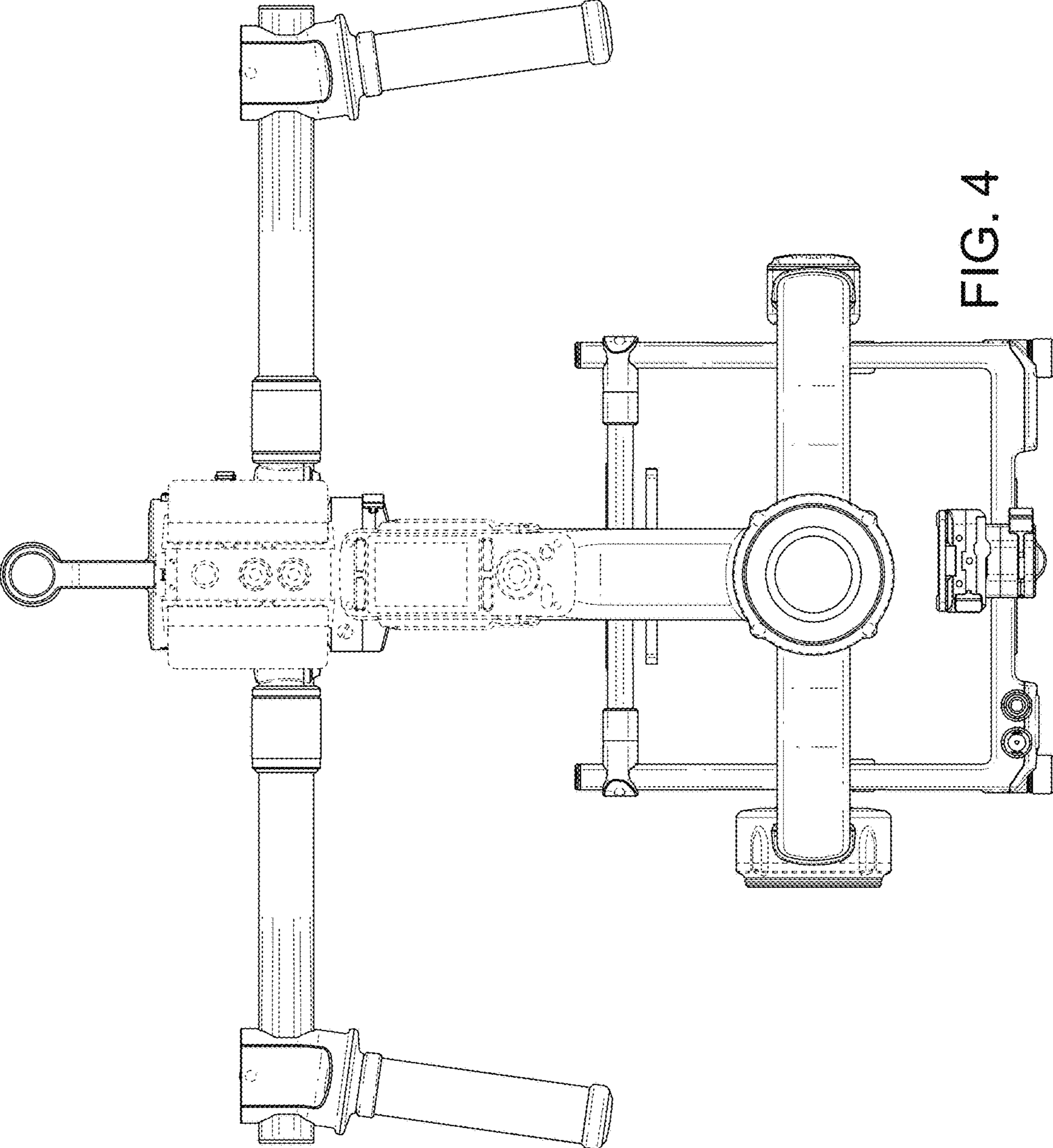


FIG. 4

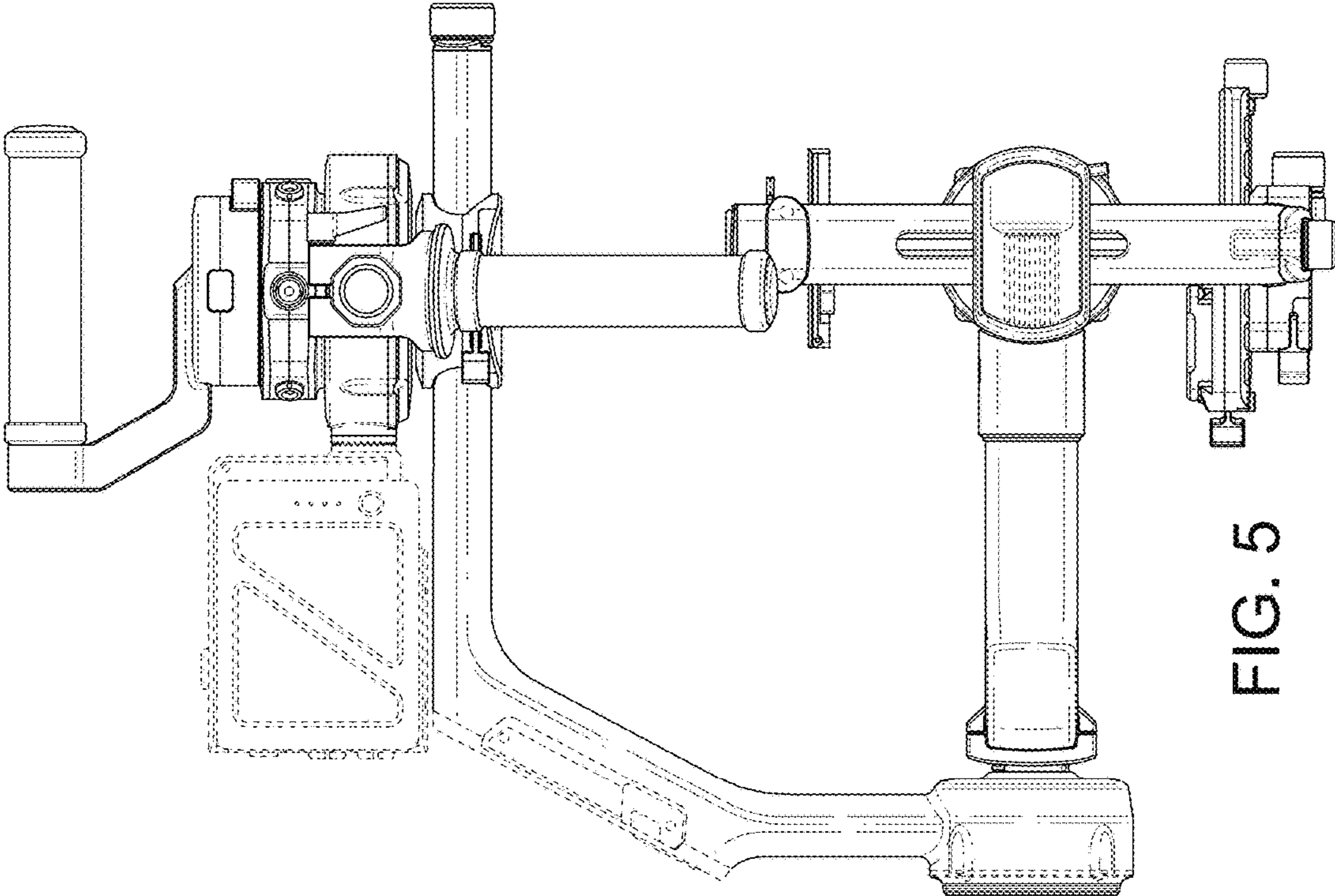
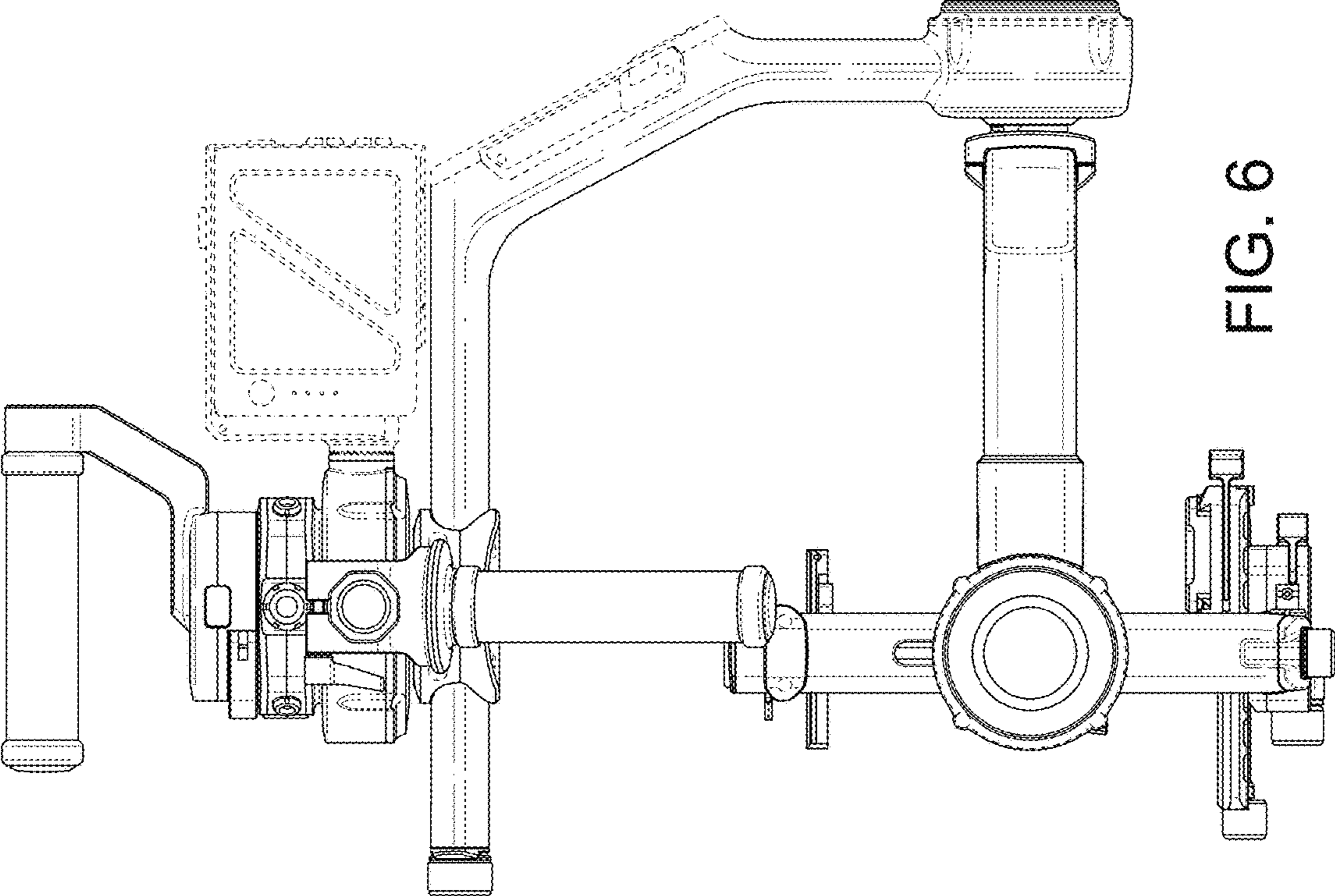


FIG. 5



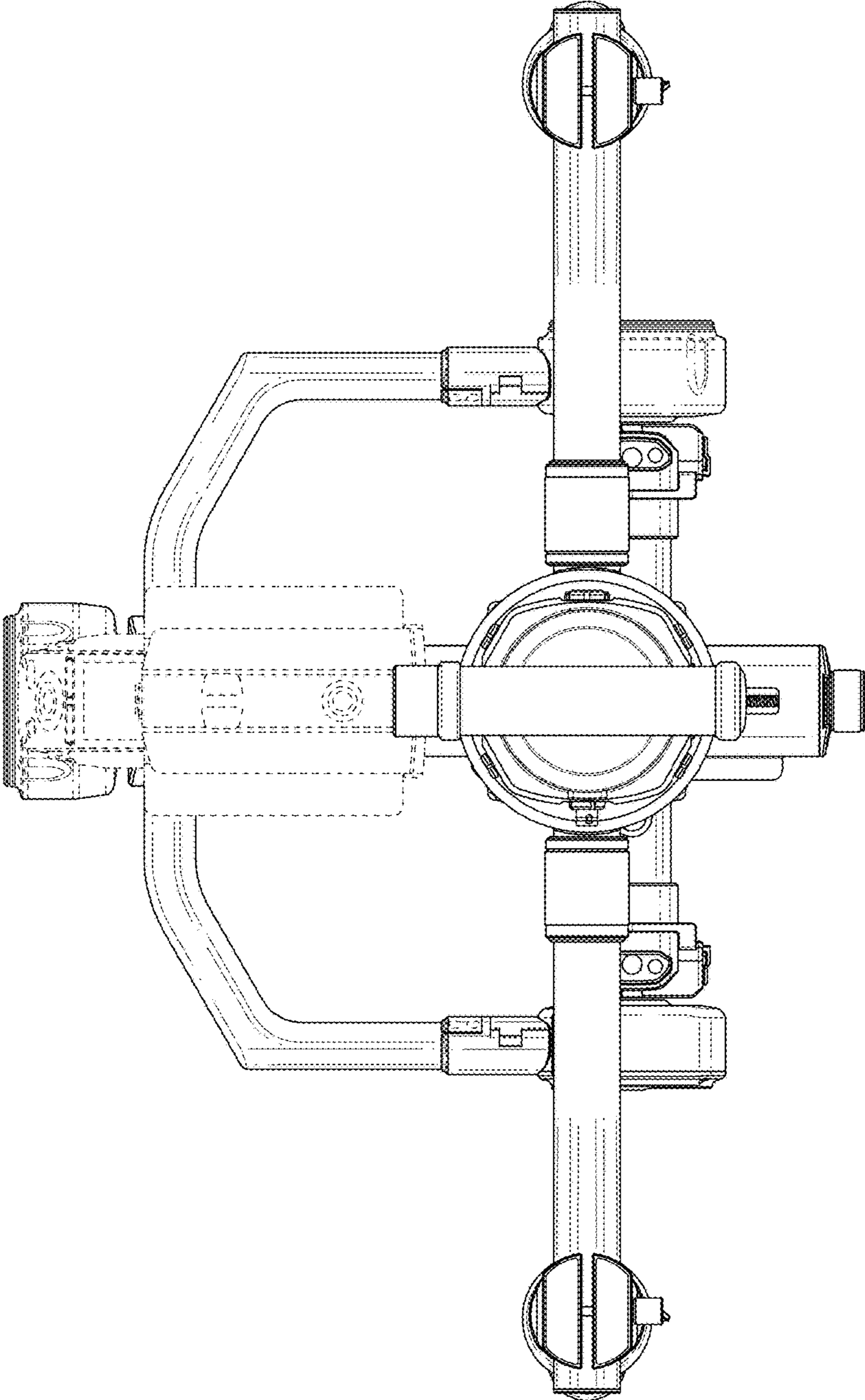


FIG. 7

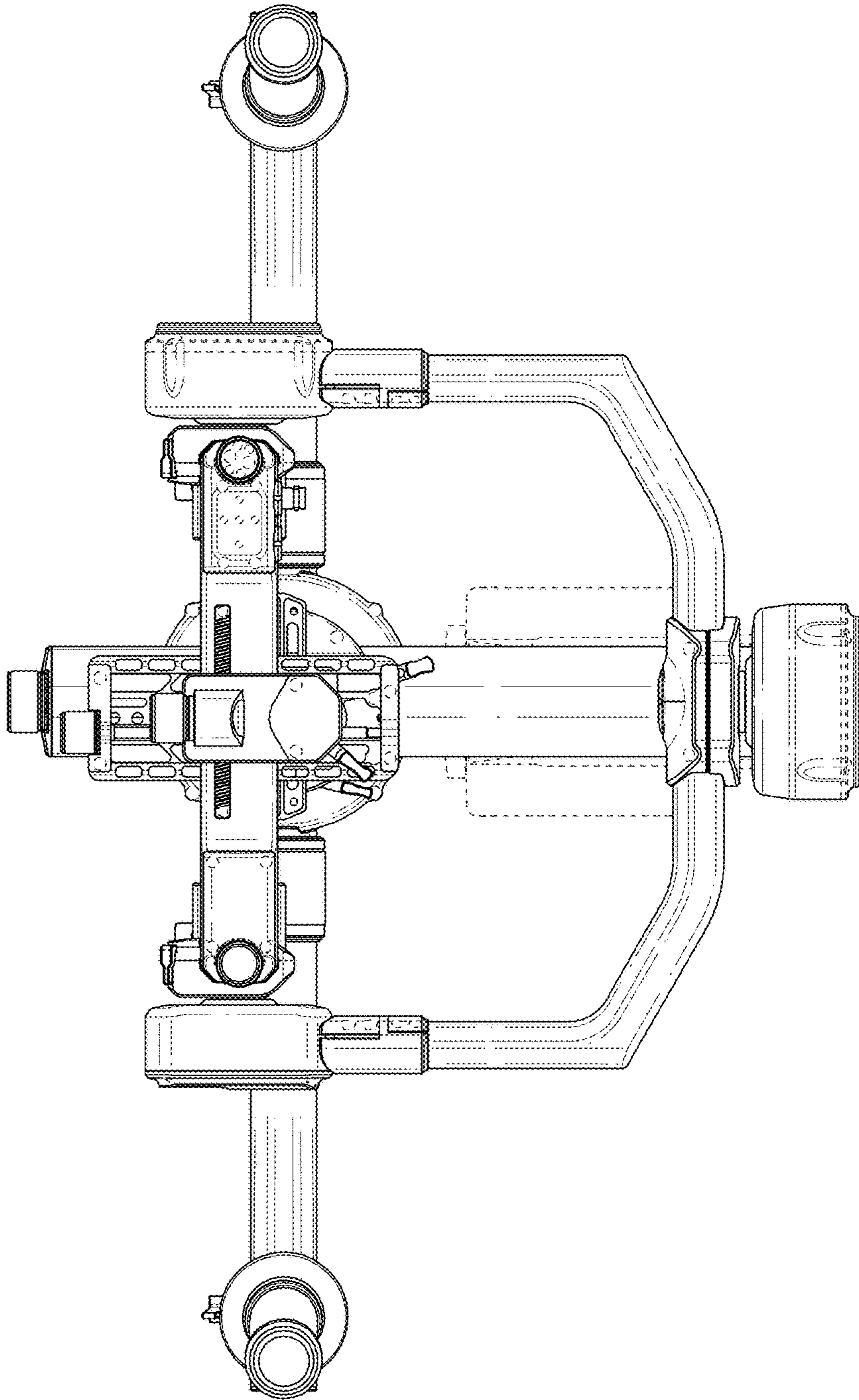


FIG. 8