



US00D828433S

(12) **United States Design Patent**
Zhao

(10) **Patent No.:** **US D828,433 S**
(45) **Date of Patent:** **** Sep. 11, 2018**

(54) **PROJECTOR SCREEN**
(71) Applicant: **Wanfo (Shenzhen) Intelligent Technology Co., Ltd.**, Shenzhen, Guangdong (CN)
(72) Inventor: **David Zhao**, Guangdong (CN)
(73) Assignee: **Wanfo (Shenzhen) Intelligent Technology Co., Ltd.**, Shenzhen (CN)
(**) Term: **15 Years**

4,017,152 A * 4/1977 Allen G03B 21/58
248/165
4,700,498 A * 10/1987 Perutz G09F 1/10
40/603
D390,879 S * 2/1998 Justen D20/10
D434,806 S * 12/2000 Justen D20/10
D508,537 S * 8/2005 Gillet D20/10
6,938,863 B2 * 9/2005 LaMotte G09F 15/0025
248/163.2
6,988,695 B2 * 1/2006 Burris G09F 15/0025
248/164
7,236,695 B1 * 6/2007 Demos G03B 15/06
16/241

(Continued)

(21) Appl. No.: **29/609,707**

(22) Filed: **Jul. 4, 2017**

(30) **Foreign Application Priority Data**

Jan. 18, 2017 (CN) 2017 3 0019906

(51) **LOC (11) Cl.** **16-05**

(52) **U.S. Cl.**
USPC **D16/241**

(58) **Field of Classification Search**
USPC D16/219, 237-250; D14/224, 229, 238, D14/251, 253, 447, 451, 457; D8/354, D8/355, 363, 373, 382, 383, 394, 395, D8/396; D20/10-11
CPC A45F 5/00; F16M 11/06-11/10; G02B 7/00-7/002; G03B 17/56; G03B 17/561; G03B 17/563; G03B 17/565; G03B 17/566; G03B 17/568; H04N 5/2253-5/2254
See application file for complete search history.

(56) **References Cited**

U.S. PATENT DOCUMENTS

2,611,427 A * 9/1952 Du Mais G03B 21/58
160/24
3,942,869 A * 3/1976 Portner G03B 21/58
359/443

OTHER PUBLICATIONS

Magic Screen Freestanding Popup Projection Screen Indiegogo. [online] Published May 5, 2016. Retrieved May 14, 2018 from URL: <https://www.indiegogo.com/projects/magic-screen-freestanding-popup-projection-screen--2#/>.*

(Continued)

Primary Examiner — Vy N Koenig

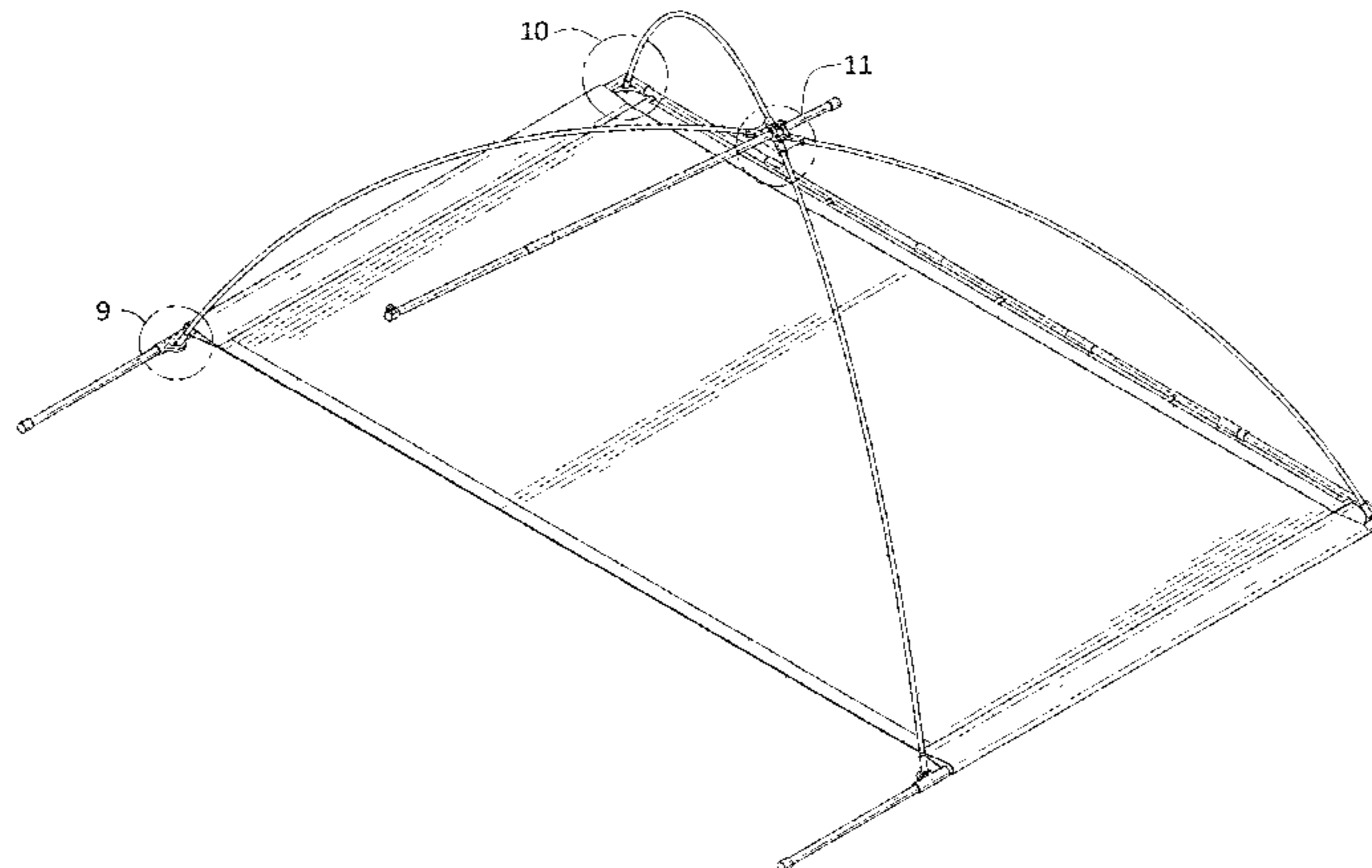
(57) **CLAIM**

The ornamental design for a projector screen, as shown and described.

DESCRIPTION

FIG. 1 is a first perspective view of a projector screen showing my new design;
FIG. 2 is a second perspective view thereof;
FIG. 3 is a front elevational view thereof;
FIG. 4 is a rear elevational view thereof;
FIG. 5 is a left side view thereof;
FIG. 6 is a right side view thereof;
FIG. 7 is a top plan view thereof;
FIG. 8 is a bottom plan view thereof;
FIG. 9 is an enlarged view of portion 9 of FIG. 1;
FIG. 10 is an enlarged view of portion 10 of FIG. 1; and,
FIG. 11 is an enlarged view of portion 11 of FIG. 1.

1 Claim, 11 Drawing Sheets



(56)

References Cited

U.S. PATENT DOCUMENTS

D554,175 S * 10/2007 Wiener D16/241
7,976,413 B2 * 7/2011 Meltzer A63B 63/06
473/417
D684,209 S * 6/2013 Measom D16/241
D685,837 S * 7/2013 Measom D16/241
D703,258 S * 4/2014 Measom D16/241
9,066,512 B2 * 6/2015 Nolz F41A 23/14
D785,071 S * 4/2017 Measom D16/241
9,857,674 B2 * 1/2018 Zhu G03B 21/58

OTHER PUBLICATIONS

Outdoor Projector Screen—Foldable Portable Outdoor Front Movie Screen. [online] Published Jan. 18, 2017. Retrieved May 14, 2018 from URL: <https://www.amazon.com/Vamvo-Outdoor-Projector-Screen-Transportable/dp/B01MS8NG98>.*

* cited by examiner

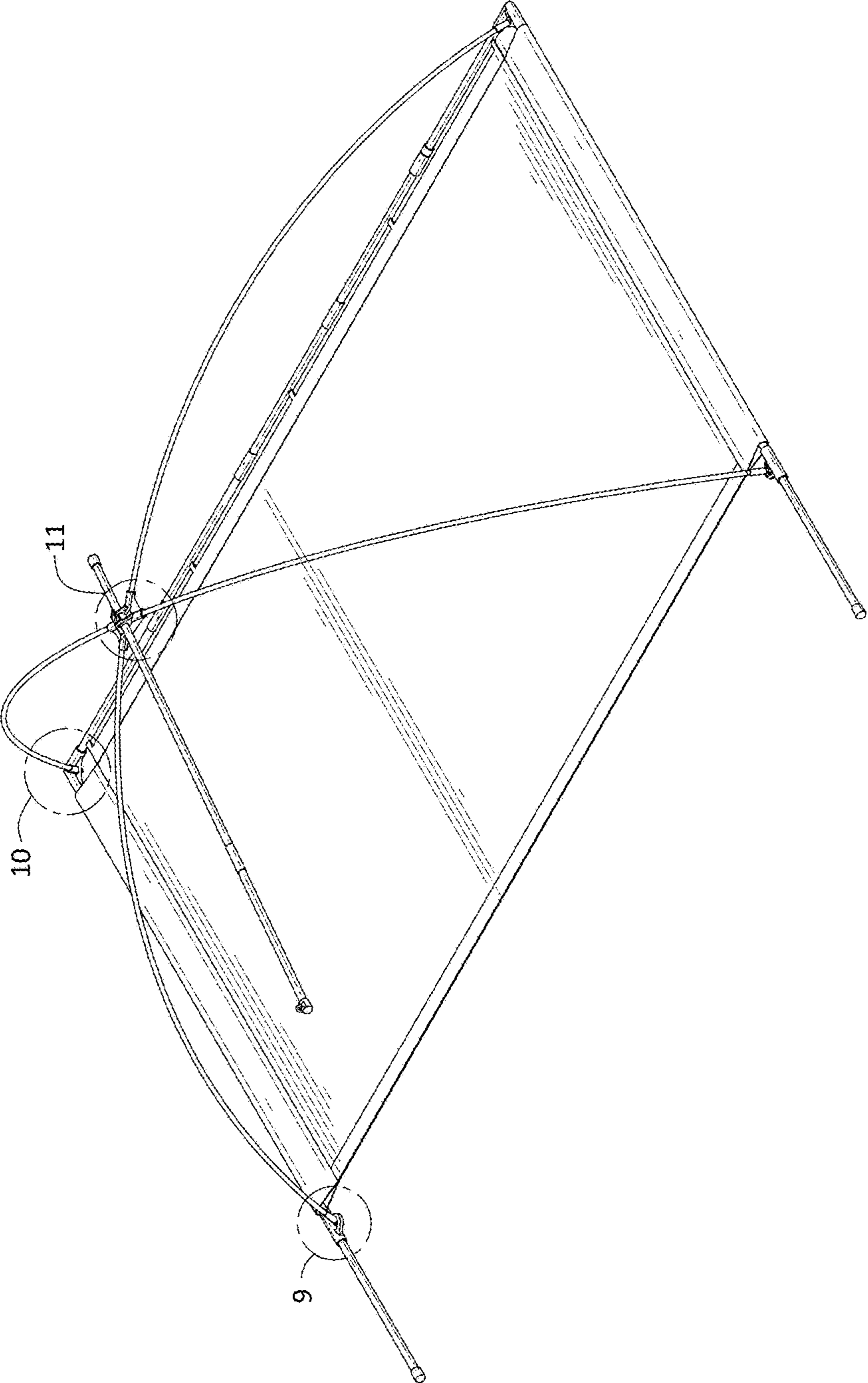


FIG. 1

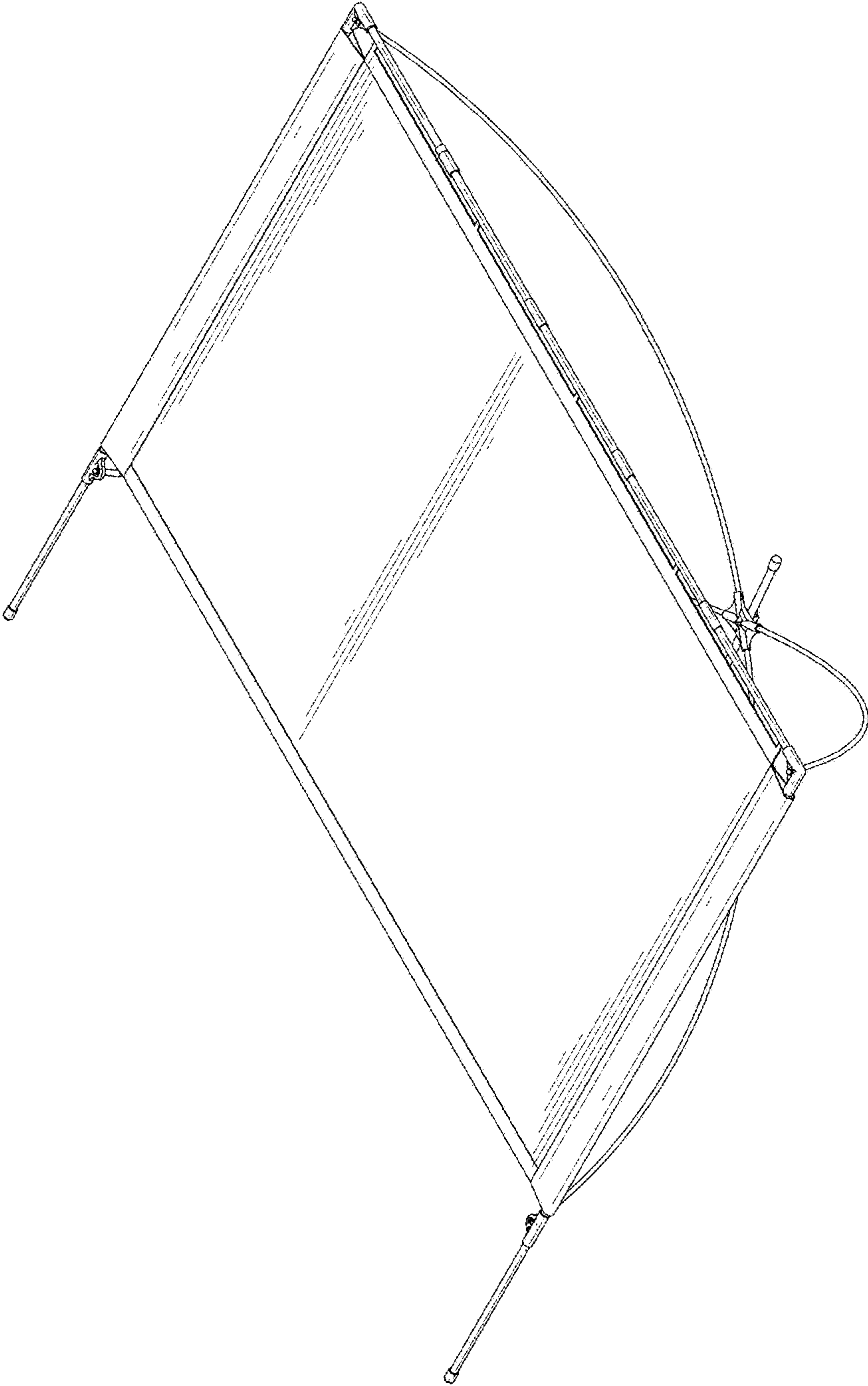


FIG. 2

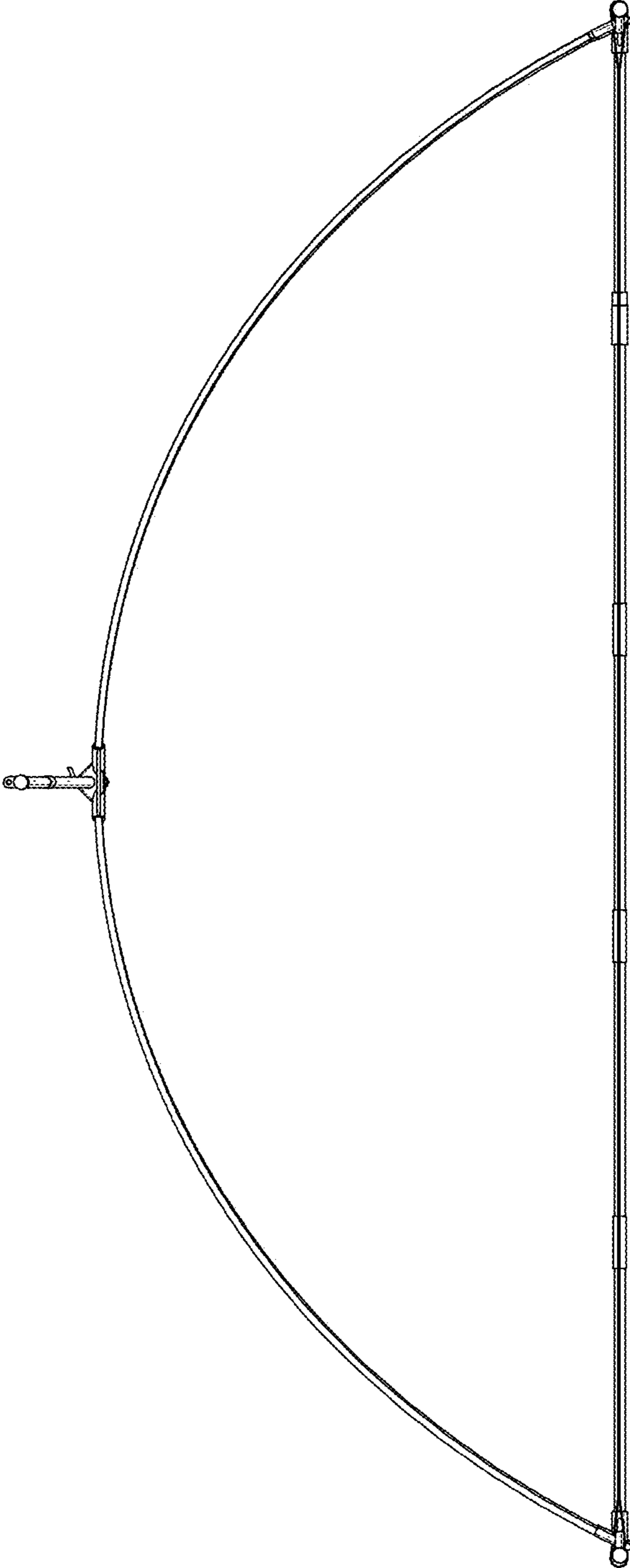


FIG. 3

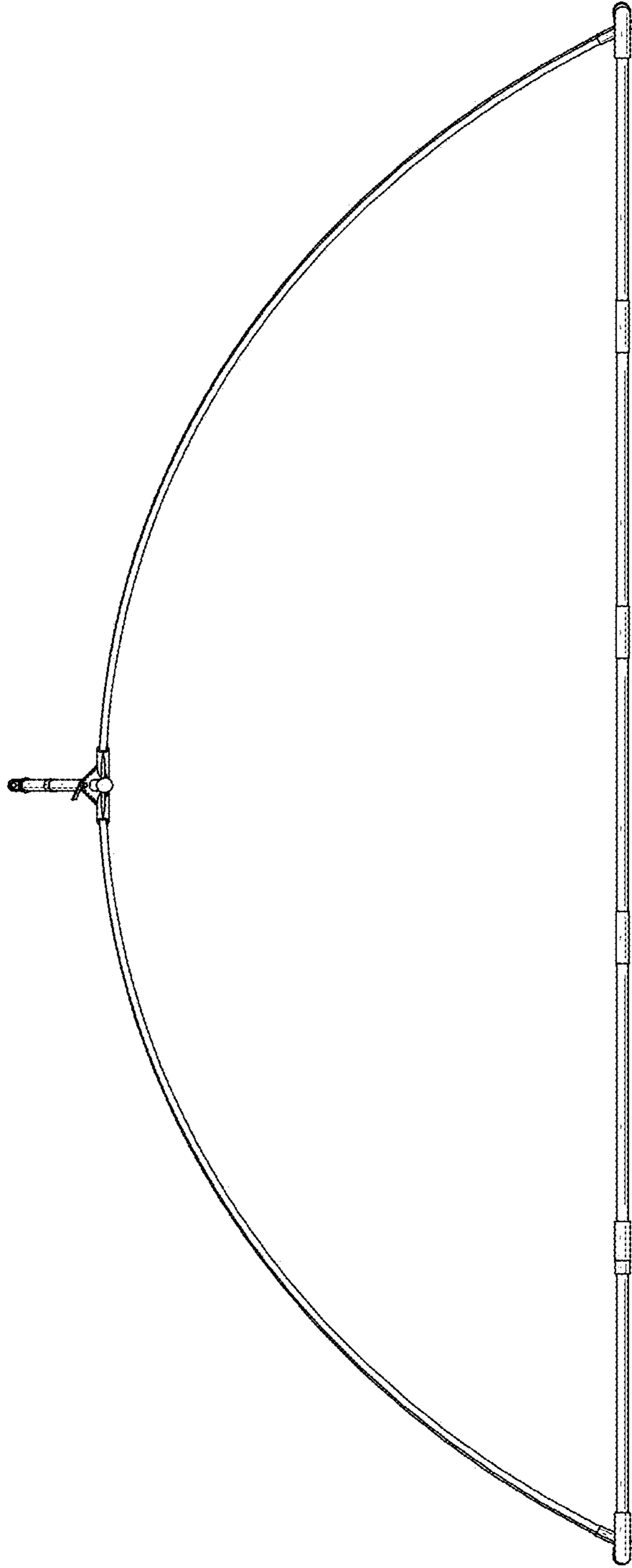


FIG. 4

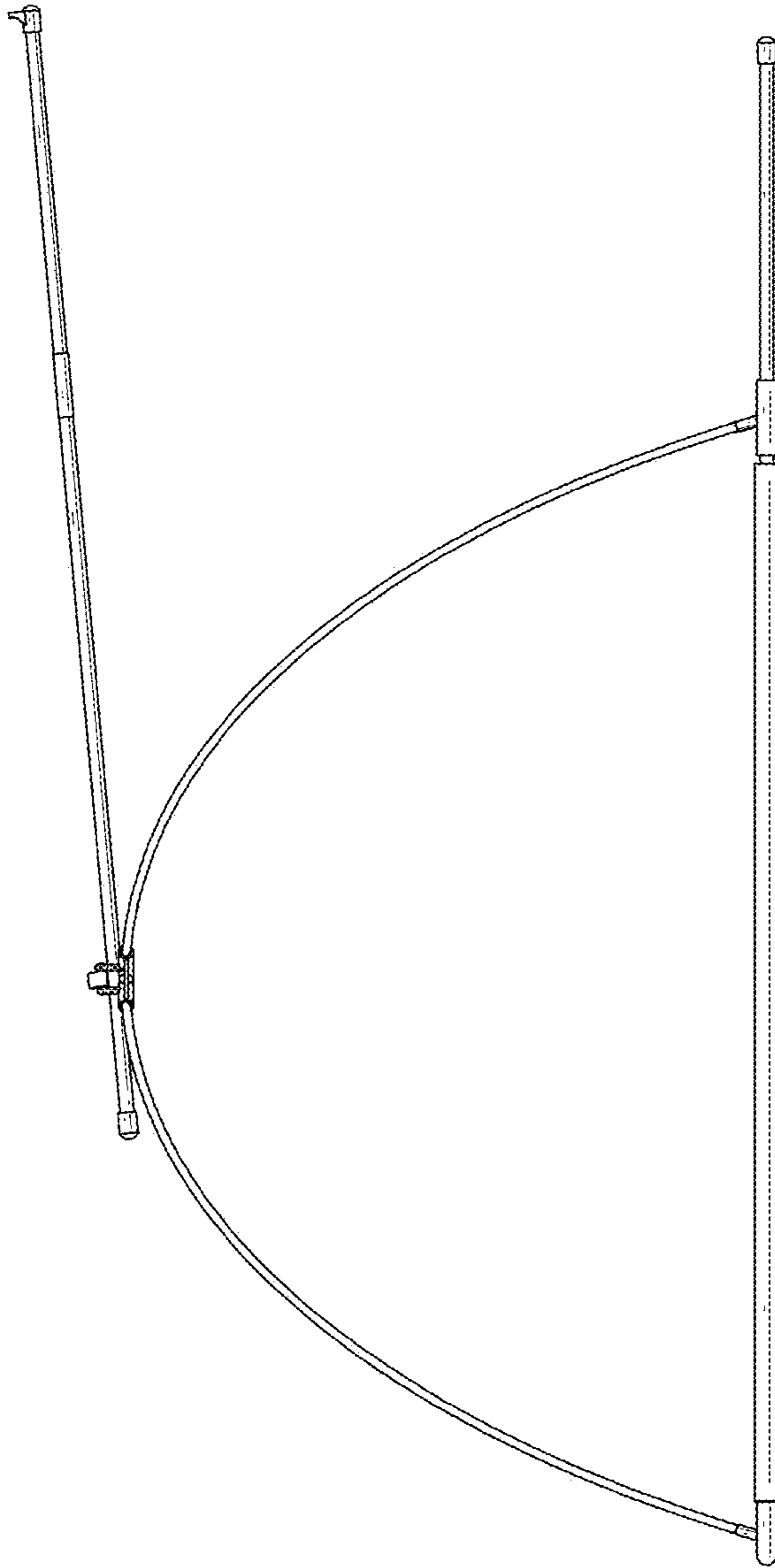


FIG. 5

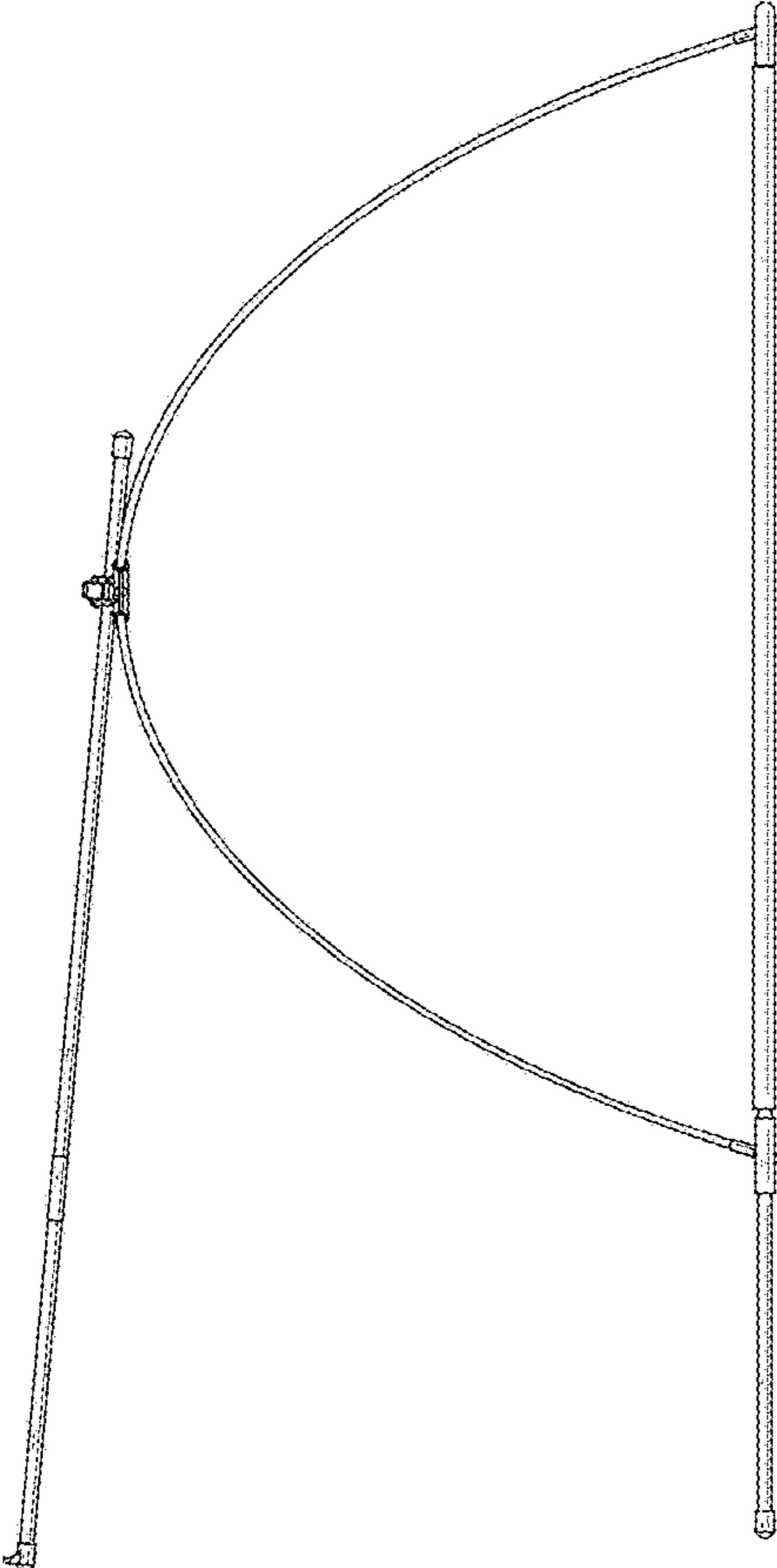


FIG. 6

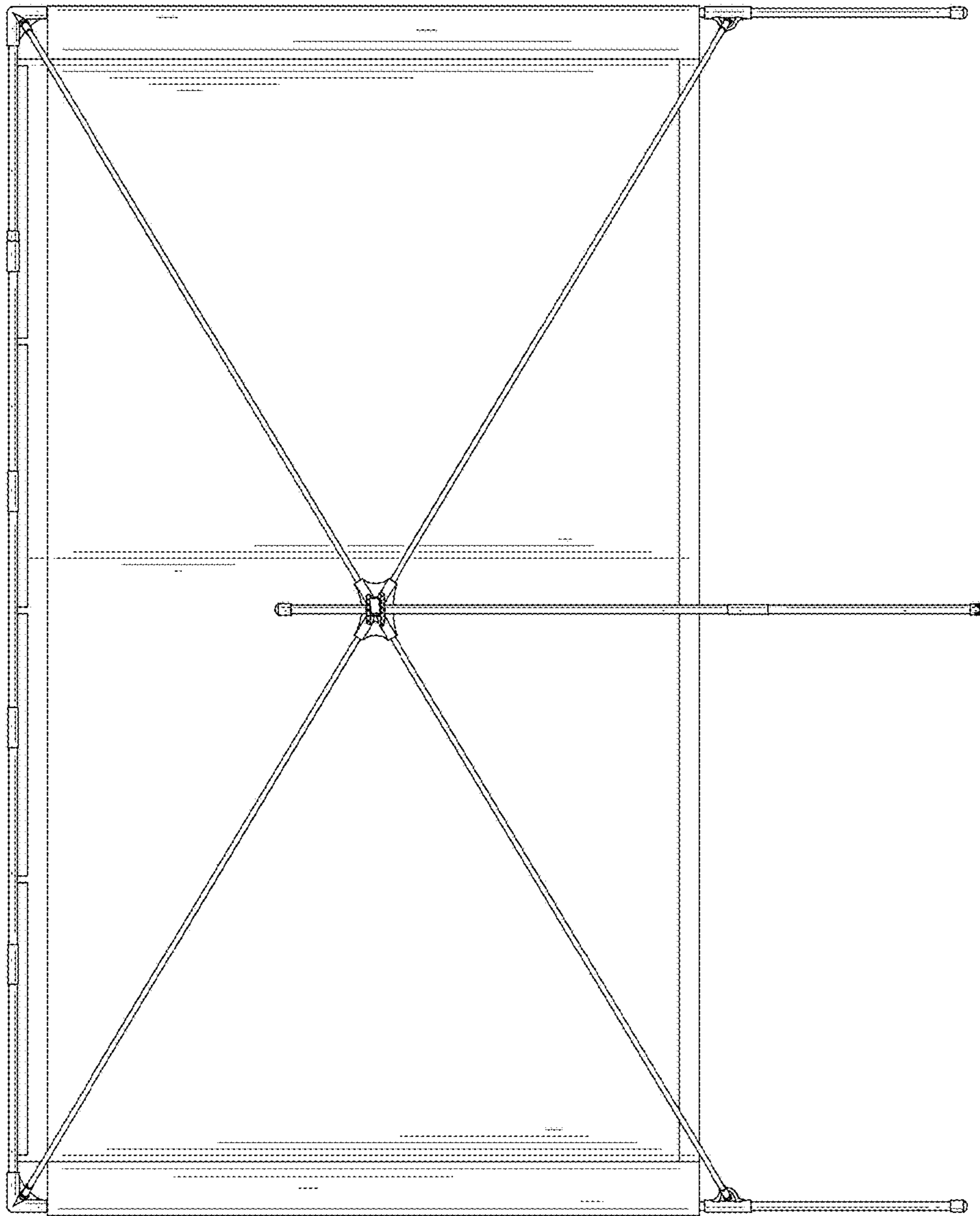


FIG. 7

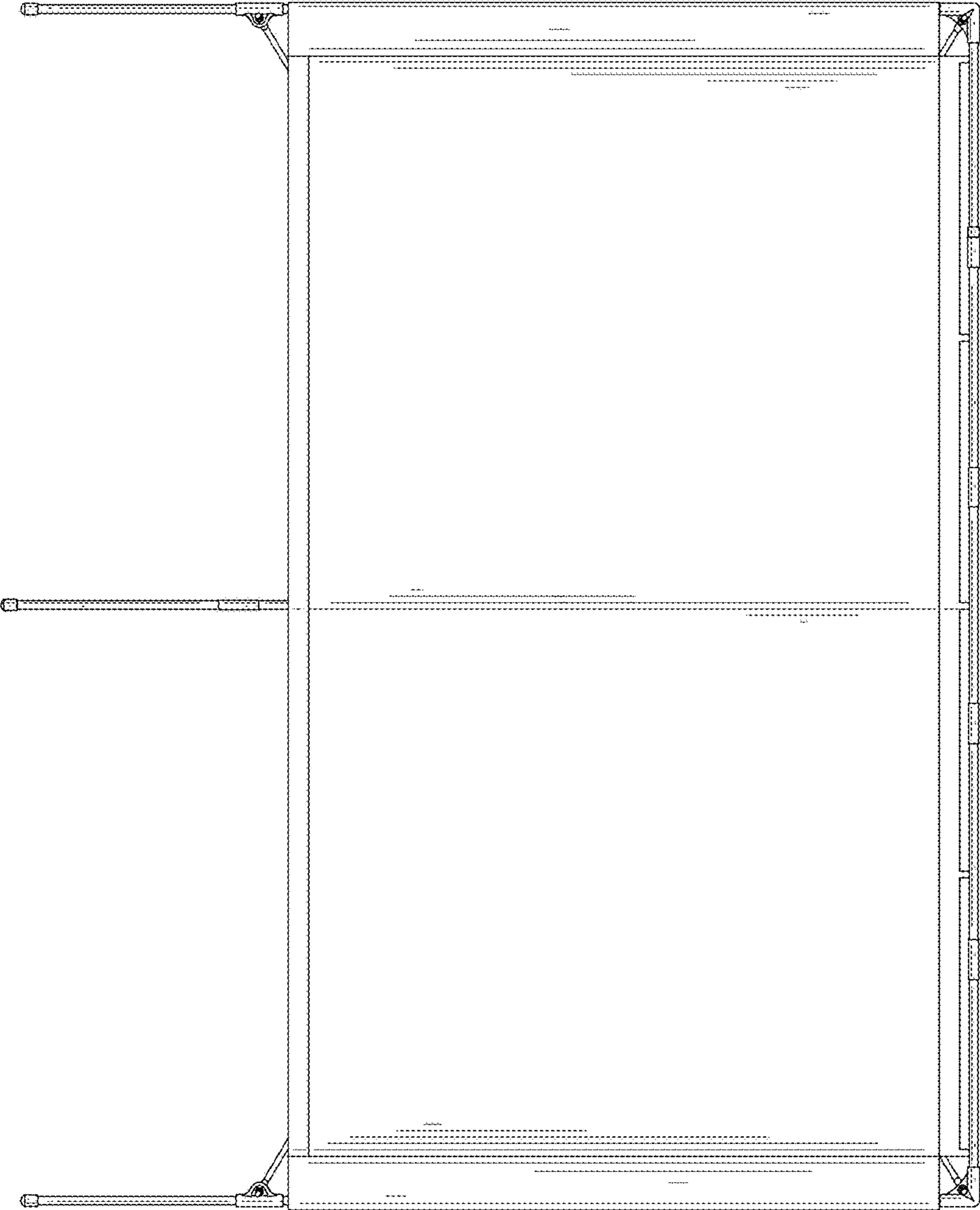


FIG. 8

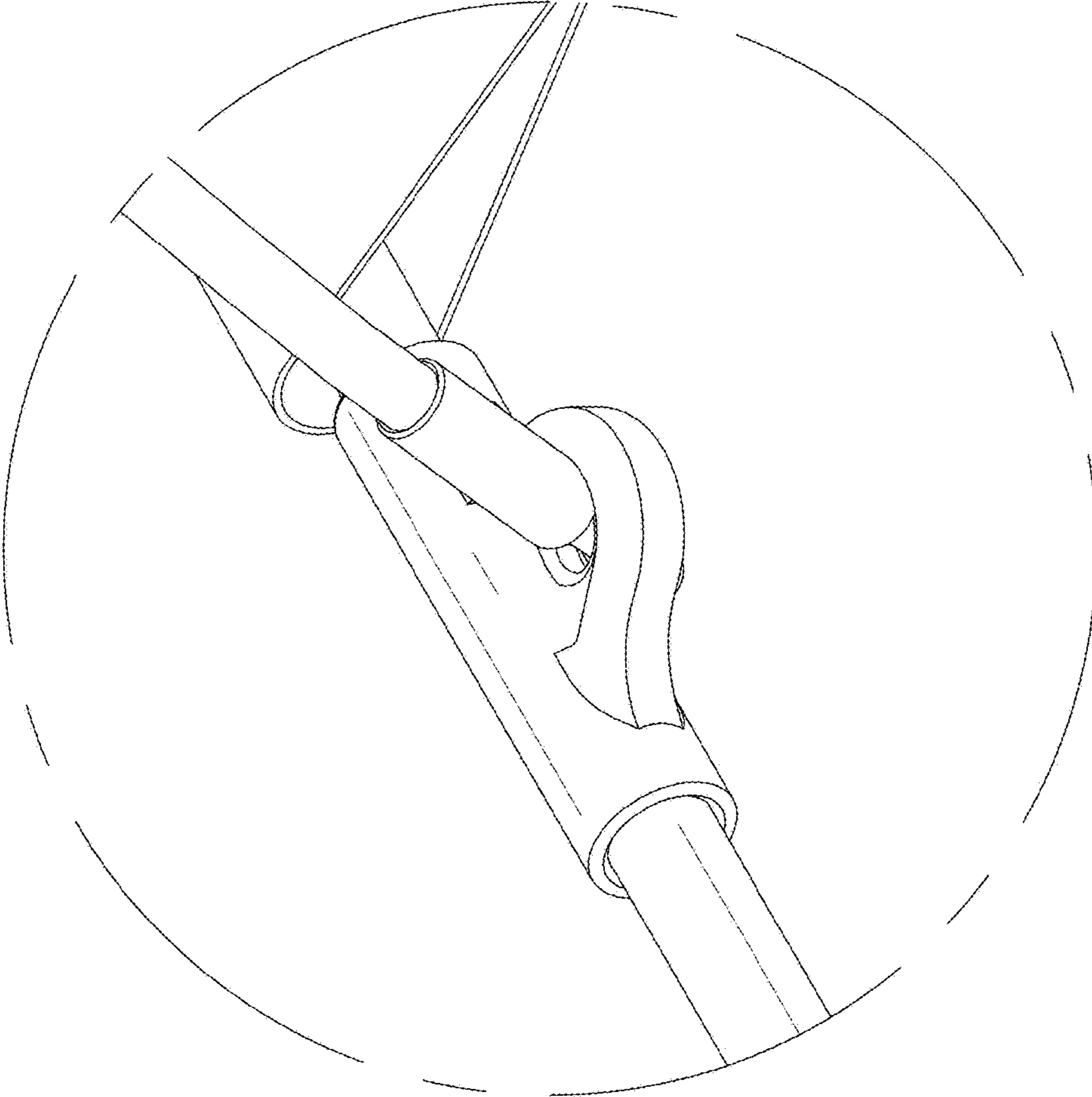


FIG. 9

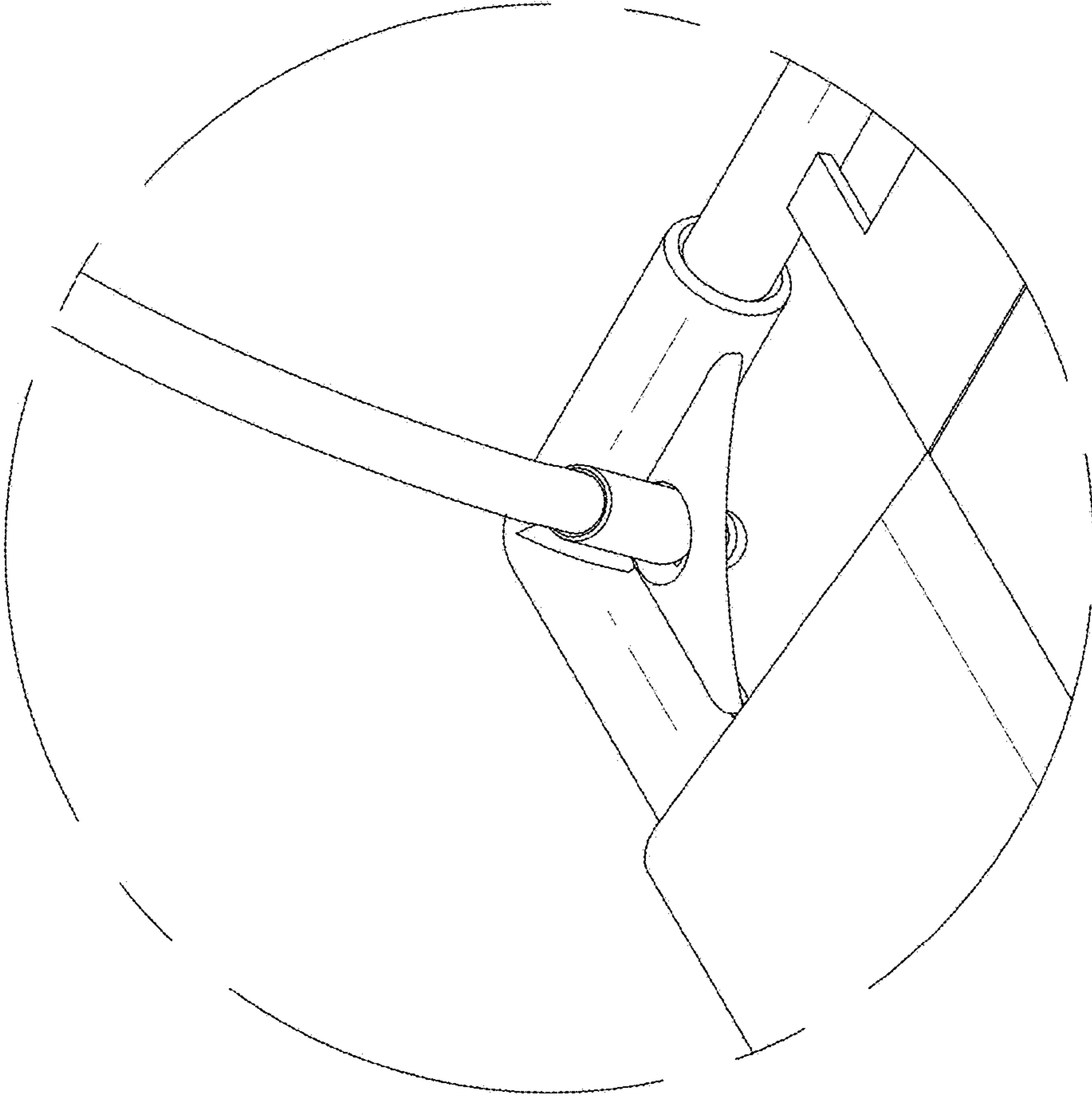


FIG. 10

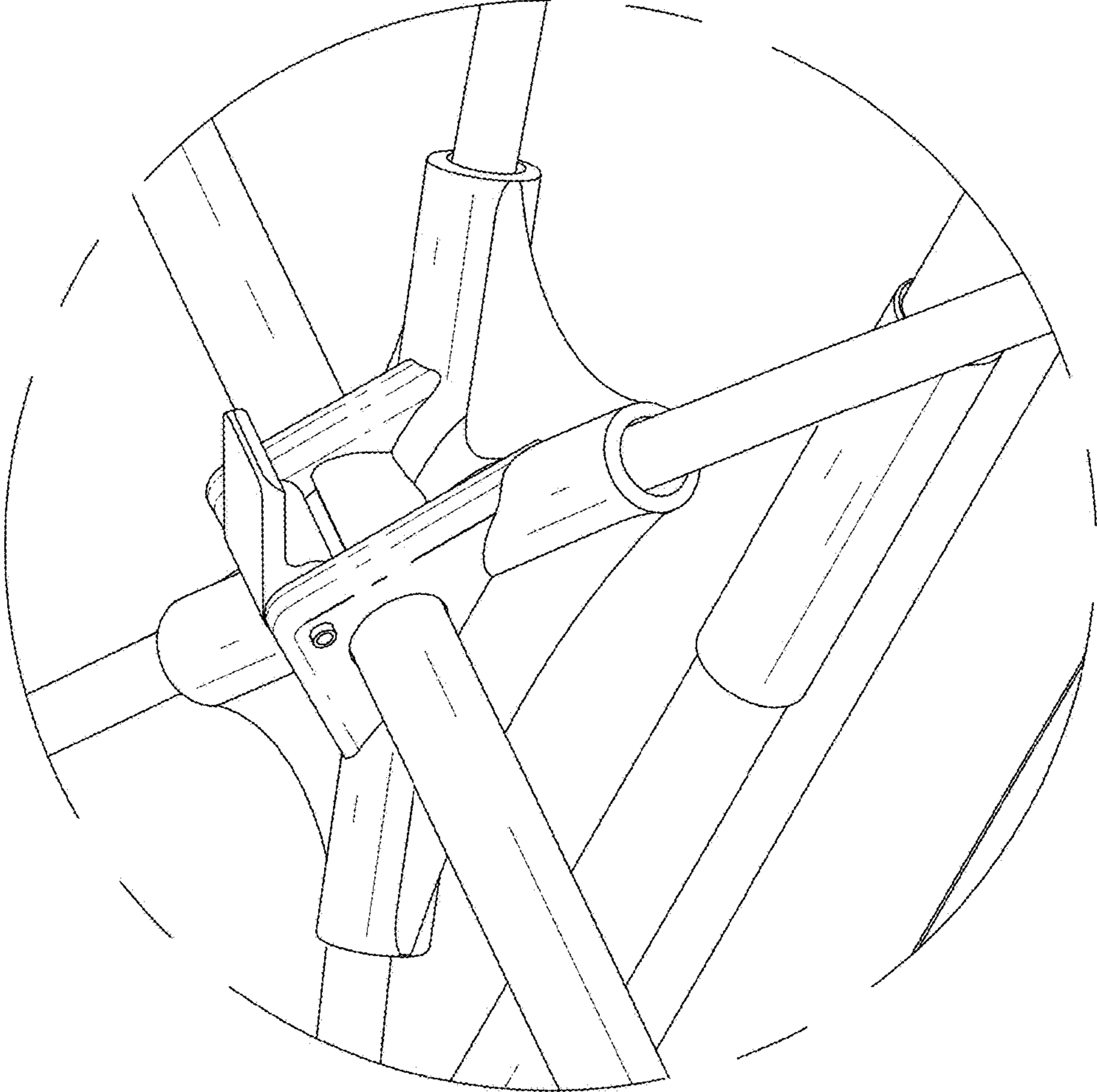


FIG. 11