



US00D828432S

(12) **United States Design Patent** (10) **Patent No.:** **US D828,432 S**
Luo et al. (45) **Date of Patent:** **** Sep. 11, 2018**

(54) **CAMERA COVER**
(71) Applicant: **Apeman International Co., Ltd.**,
Shenzhen (CN)
(72) Inventors: **Tingyuan Luo**, Xinfeng (CN); **Di Zhang**, Heilongjiang (CN)
(73) Assignee: **Apeman International Co., Ltd.**,
Shenzhen (CN)
(**) Term: **15 Years**
(21) Appl. No.: **29/611,557**
(22) Filed: **Jul. 22, 2017**
(51) **LOC (11) Cl.** **16-05**
(52) **U.S. Cl.**
USPC **D16/237**; D16/219
(58) **Field of Classification Search**
USPC D16/219, 237-250; D14/224, 229, 238,
D14/251, 253, 447, 451, 457; D8/354,
D8/355, 363, 373, 382, 383, 394, 395,
D8/396
CPC A45F 5/00; F16M 11/06-11/10; G02B
7/00-7/002; G03B 17/56; G03B 17/561;
G03B 17/563; G03B 17/565; G03B
17/566; G03B 17/568; H04N
5/2253-5/2254
See application file for complete search history.

D735,259 S * 7/2015 Vermaak D16/218
D797,836 S * 9/2017 Li D16/218
2014/0168430 A1 * 6/2014 Unger H04N 7/183
348/143
2016/0349602 A1 * 12/2016 Lammers Van Toorenburg
F16M 11/041

OTHER PUBLICATIONS

Apeman Trail Camera 12MP 1080P 2.4_ LCD Game&Hunting
Camera. [online] Published Dec. 7, 2016. Retrieved May 3, 2018
from URL: [https://www.amazon.com/
VERSION%E3%80%91APEMAN-Camera-Hunting-Upgrading-
Protected/dp/B01NAGLAMJ](https://www.amazon.com/VERSION%E3%80%91APEMAN-Camera-Hunting-Upgrading-Protected/dp/B01NAGLAMJ).
Gosira Trail Camera Motion Activated 12MP HD 1080P Wildlife
Hunting . [online] Published Sep. 26, 2017. Retrieved May 3, 2018
from URL: [https://www.amazon.com/dp/B077TKC77K/
ref=sspa_dk_detail_4?psc=1&pd_rd_i=B077TKC77K
&pd_rd_wg=OugQK&pd_rd_r=SVQTYH6ZB4DF4WC8C9T1
&pd_rd_w=WGY2v](https://www.amazon.com/dp/B077TKC77K/ref=sspa_dk_detail_4?psc=1&pd_rd_i=B077TKC77K&pd_rd_wg=OugQK&pd_rd_r=SVQTYH6ZB4DF4WC8C9T1&pd_rd_w=WGY2v).

* cited by examiner

Primary Examiner — Vy N Koenig
(74) *Attorney, Agent, or Firm* — JiangIP LLC; Yanling
Jiang

(57) **CLAIM**

The ornamental design for a camera cover, as shown and
described.

DESCRIPTION

FIG. 1 is front view of a camera cover showing our new
design;
FIG. 2 is a rear view thereof;
FIG. 3 is a top view thereof;
FIG. 4 is a bottom view thereof;
FIG. 5 is a right side view thereof;
FIG. 6 is a left side view thereof; and,
FIG. 7 is a perspective view thereof.
The broken lines in the drawings depict portions of the
camera cover that form no part of the claimed design.

1 Claim, 7 Drawing Sheets

(56) **References Cited**
U.S. PATENT DOCUMENTS
D616,009 S * 5/2010 Schnell D16/218
D628,224 S * 11/2010 Barley D16/203
D628,614 S * 12/2010 Barley D16/203
D630,236 S * 1/2011 Lian D16/203
D638,047 S * 5/2011 Lian D16/203
D655,735 S * 3/2012 Barley D16/203
D655,736 S * 3/2012 Barley D16/203
D657,412 S * 4/2012 Barley D16/203
D673,991 S * 1/2013 Schnell D16/218
D721,116 S * 1/2015 Schnell D16/218
D729,295 S * 5/2015 Onruang D16/202

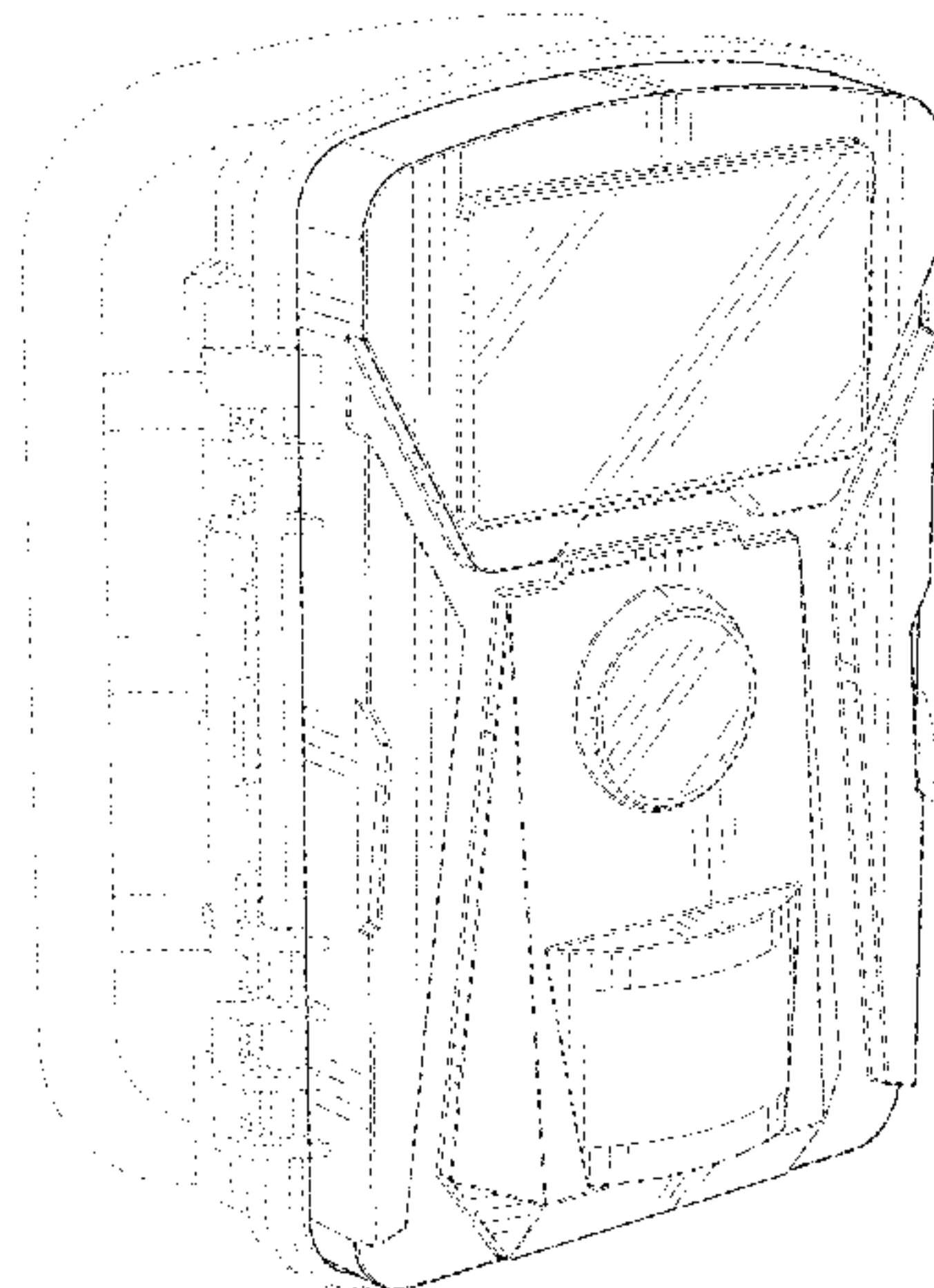


FIG. 1

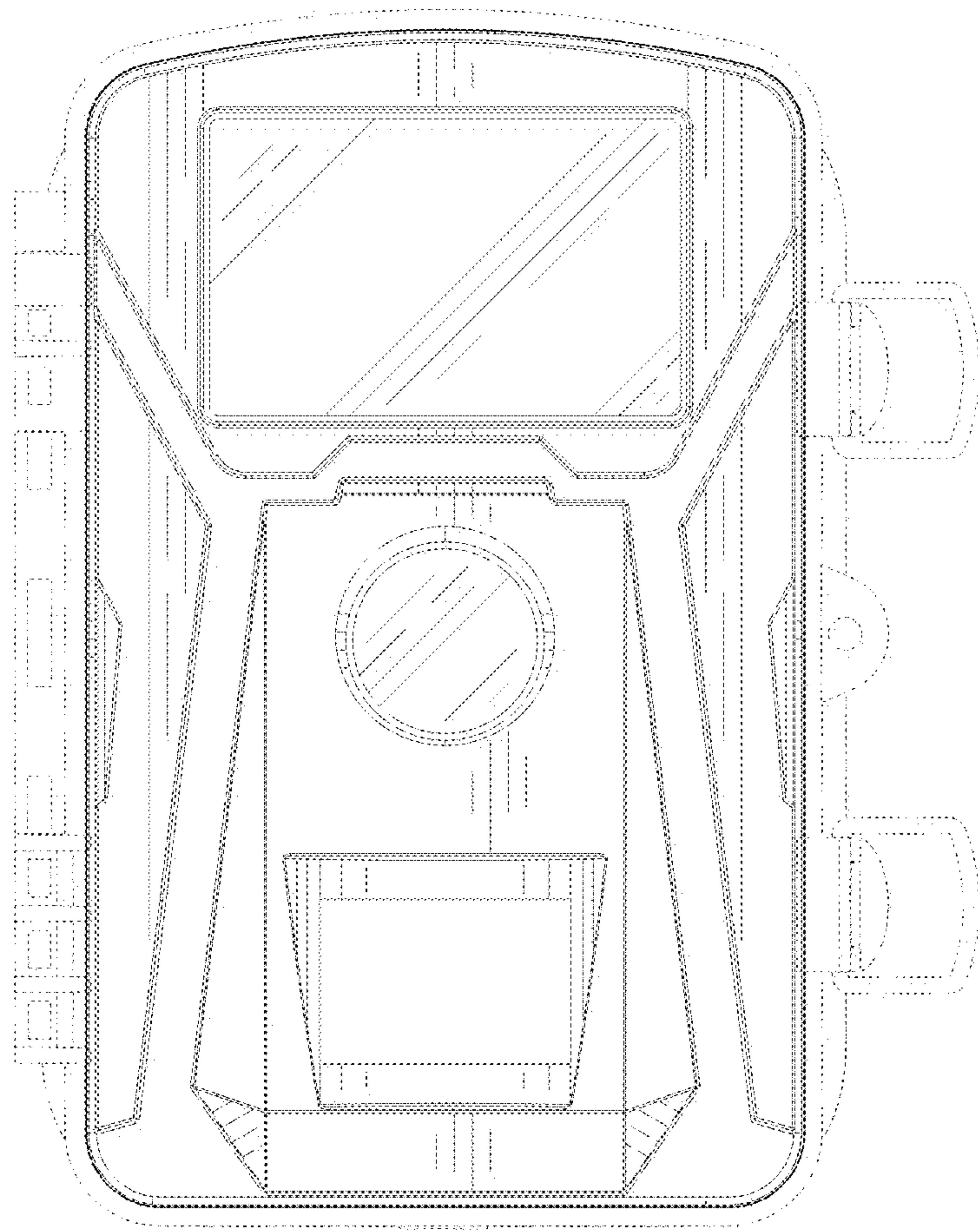


FIG. 2

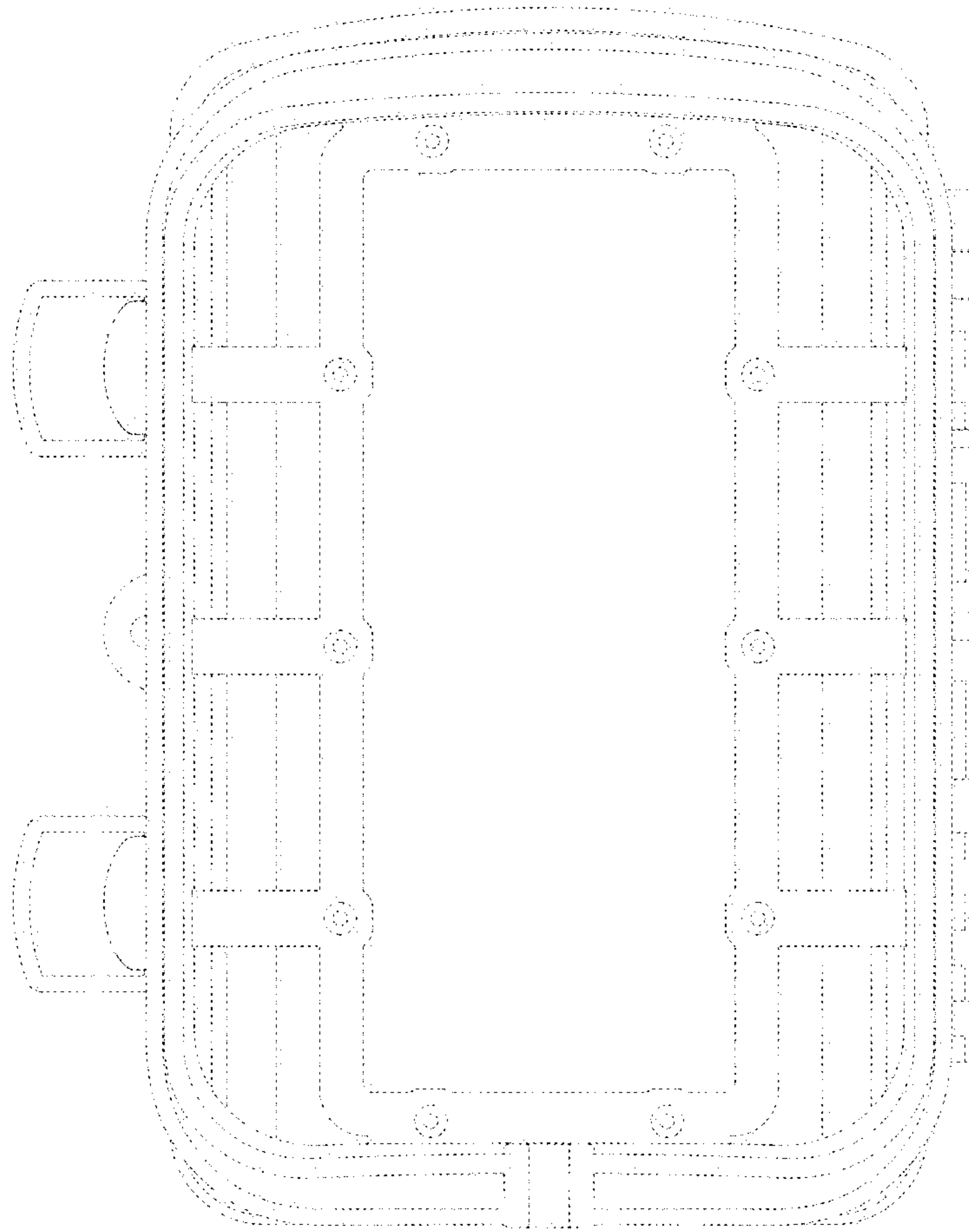


FIG. 3

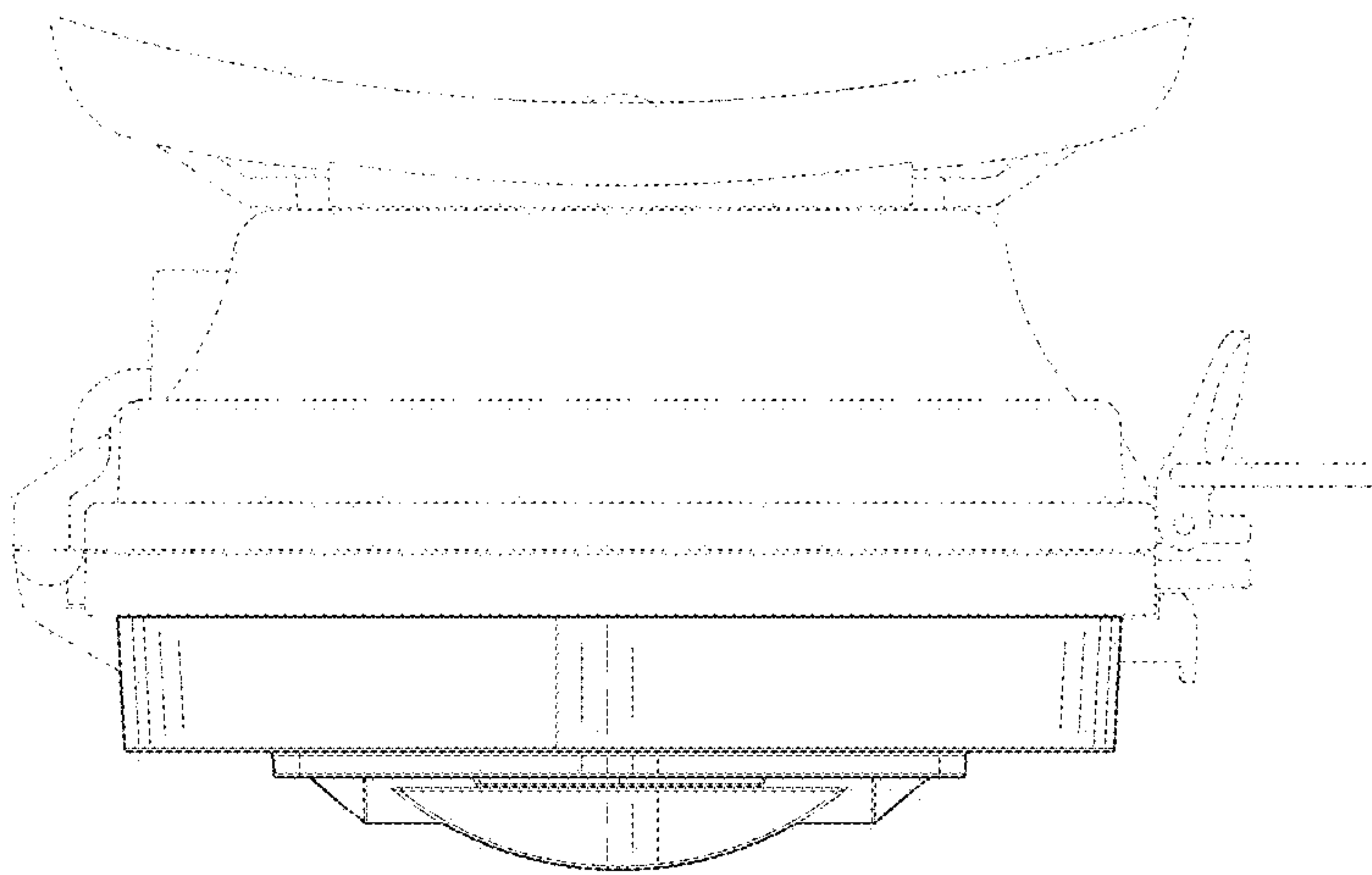


FIG. 4

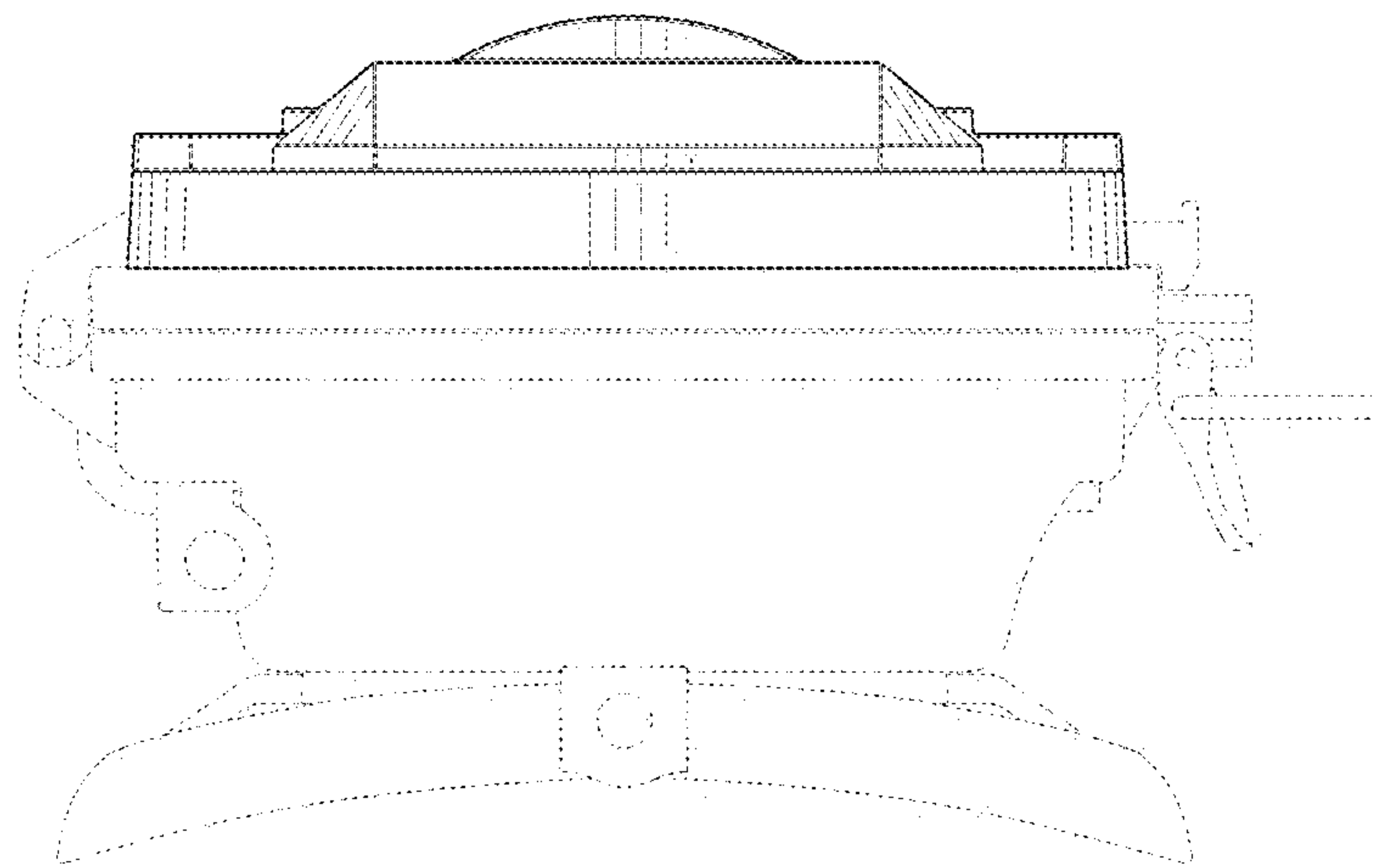


FIG. 5

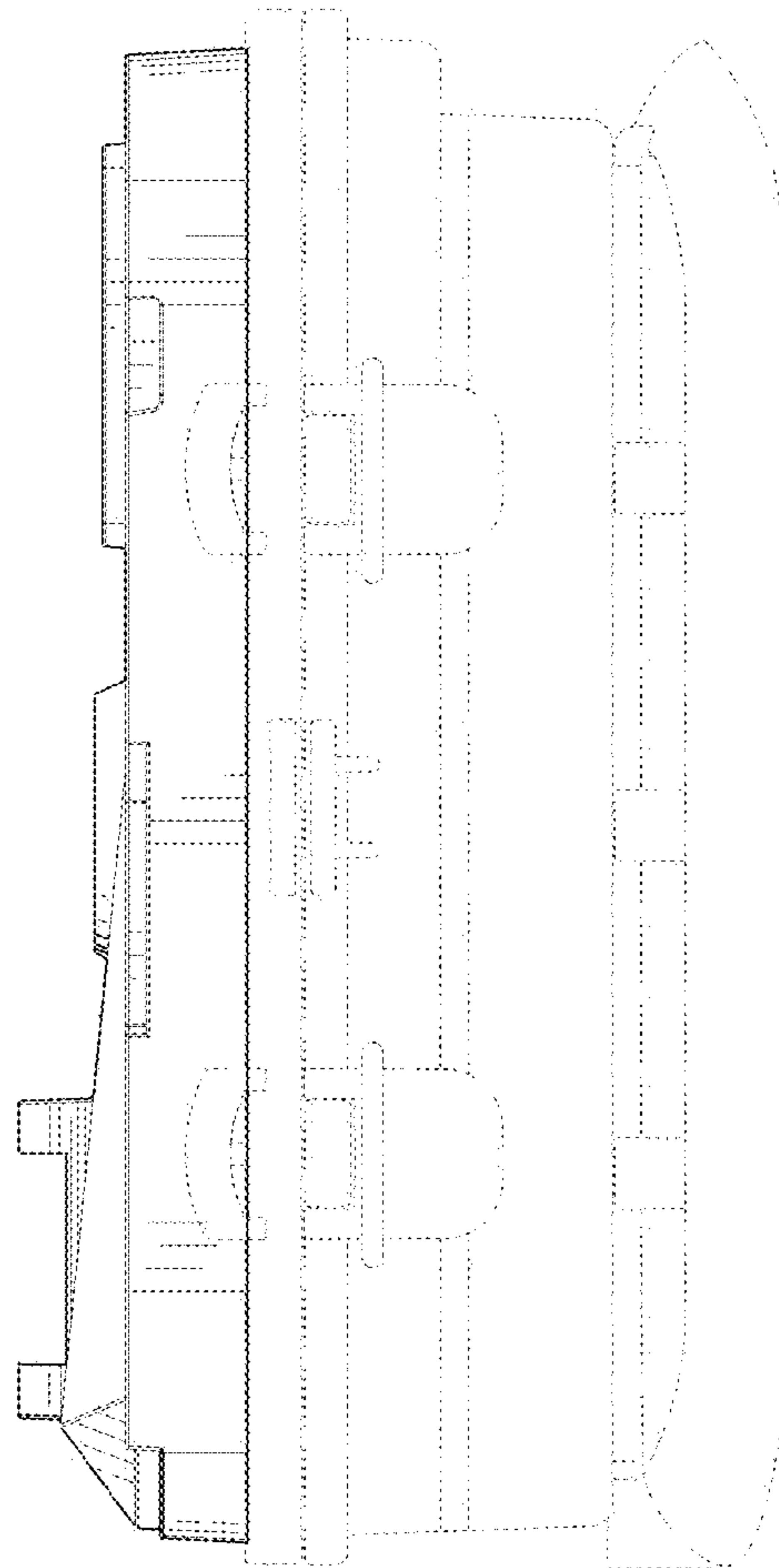
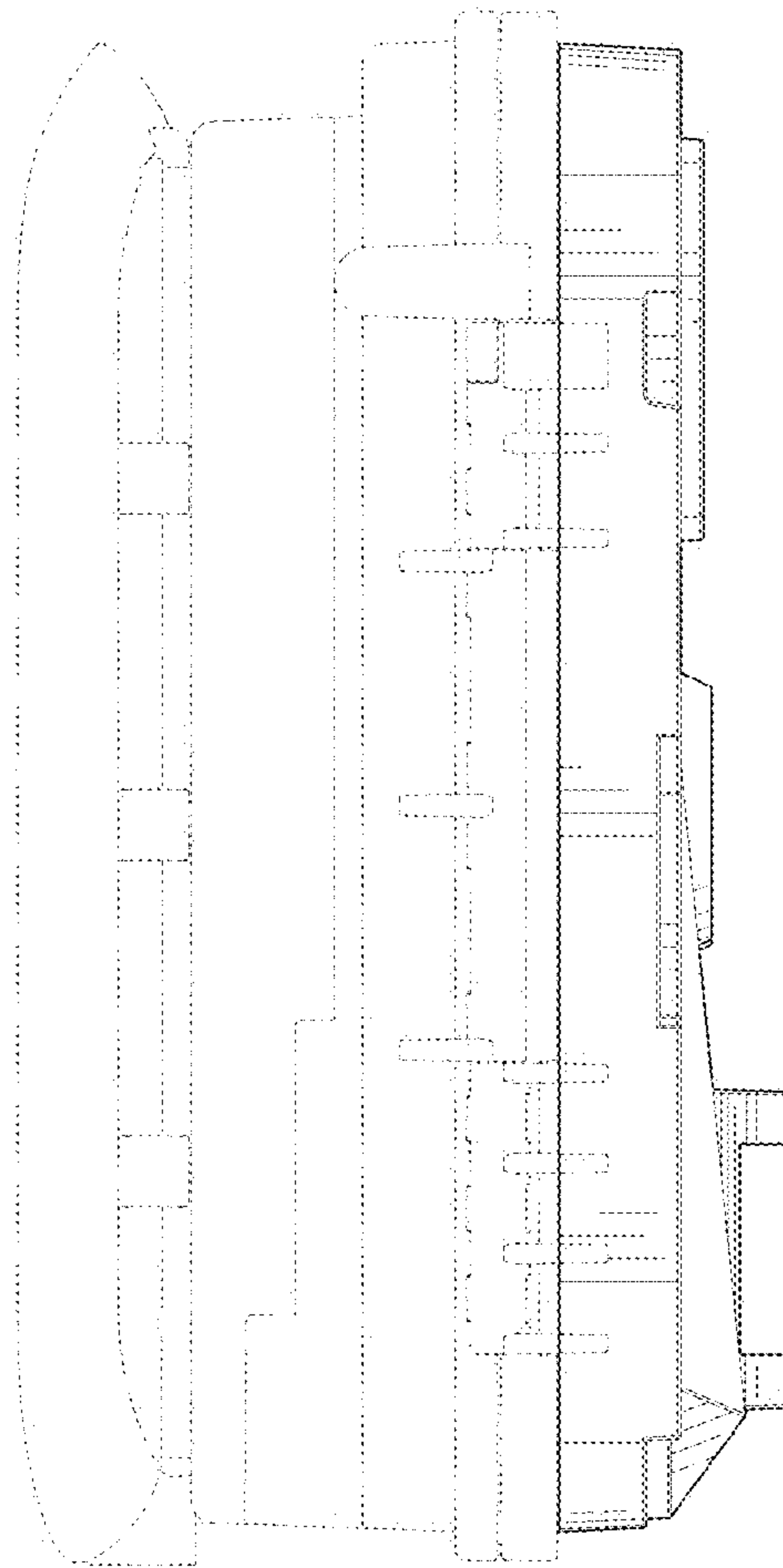


FIG. 6



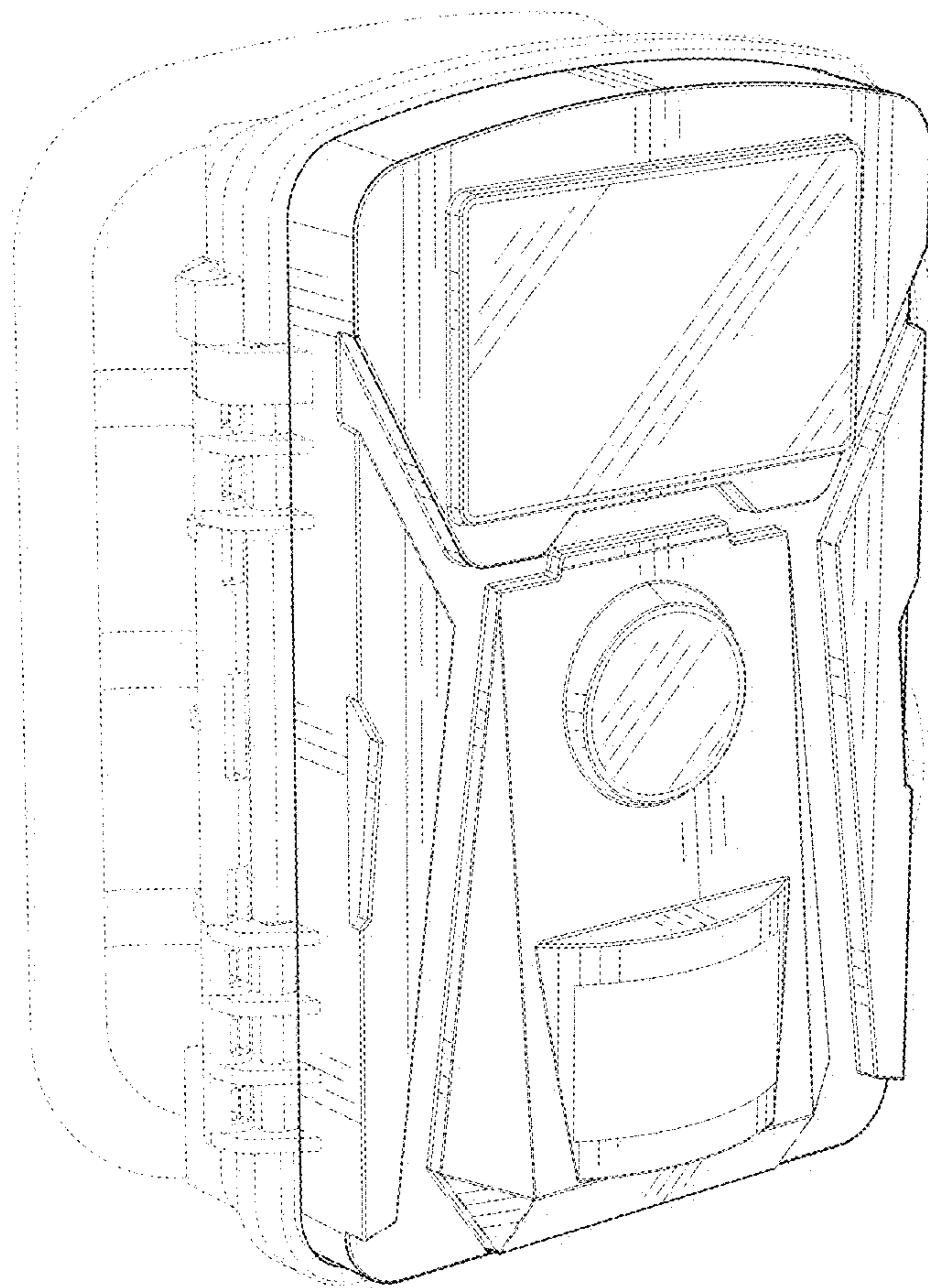


FIG. 7