



US00D828430S

(12) **United States Design Patent**
Pandya et al.

(10) **Patent No.:** **US D828,430 S**

(45) **Date of Patent:** **** Sep. 11, 2018**

(54) **VIDEO ANALYTICS DEVICE**

(71) Applicant: **NetraDyne, Inc.**, San Diego, CA (US)

(72) Inventors: **Sandeep Pandya**, San Diego, CA (US);
Adam David Kahn, San Diego, CA (US); **Lance Steven Hetherington**, Encinitas, CA (US); **Michael Campos**, La Jolla, CA (US); **David Jonathan Julian**, San Diego, CA (US); **Tejeswara Rao Gudena**, Bangaluru (IN); **Avneesh Agrawal**, Bangaluru (IN)

(73) Assignee: **NetraDyne, Inc.**, San Diego, CA (US)

(**) Term: **15 Years**

(21) Appl. No.: **29/582,890**

(22) Filed: **Oct. 31, 2016**

(51) **LOC (11) Cl.** **16-01**

(52) **U.S. Cl.**
USPC **D16/218**; D16/202

(58) **Field of Classification Search**
USPC D16/200, 202–204, 208, 210, 218, 219;
D12/187–189, 400; 340/932.2, 933, 937;
348/143, 148, 151, 360, 373–376;
396/419, 427–429, 433, 529, 535,
396/539–541
CPC G03B 15/03; G03B 17/02; G03B 17/04;
G03B 17/48; G03B 17/56; G03B 19/04;
G08G 1/0175; H04N 5/2251; H04N
5/2252; H04N 5/2253; H04N 5/2254
See application file for complete search history.

(56) **References Cited**

U.S. PATENT DOCUMENTS

D455,164 S * 4/2002 Tsang D16/202
6,637,952 B2 * 10/2003 Arbuckle G03B 17/02
348/143

D518,842 S * 4/2006 Hilborn D16/200
D624,106 S * 9/2010 Cho D16/203
D694,797 S * 12/2013 Parker D16/202
D705,337 S * 5/2014 Tani D16/219
D724,642 S * 3/2015 Cho D16/218
D748,711 S * 2/2016 Roth D16/218
D751,622 S * 3/2016 Mao D16/218
D785,067 S * 4/2017 Ramones D16/203
D788,834 S * 6/2017 Bhattacharya D16/203
D795,940 S * 8/2017 Huang D16/203
2013/0107110 A1 * 5/2013 Park H04N 5/2252
348/373

* cited by examiner

Primary Examiner — Philip S Hyder
Assistant Examiner — Ramzi S Almatrahi
(74) *Attorney, Agent, or Firm* — Sterne, Kessler,
Goldstein & Fox P.L.L.C.

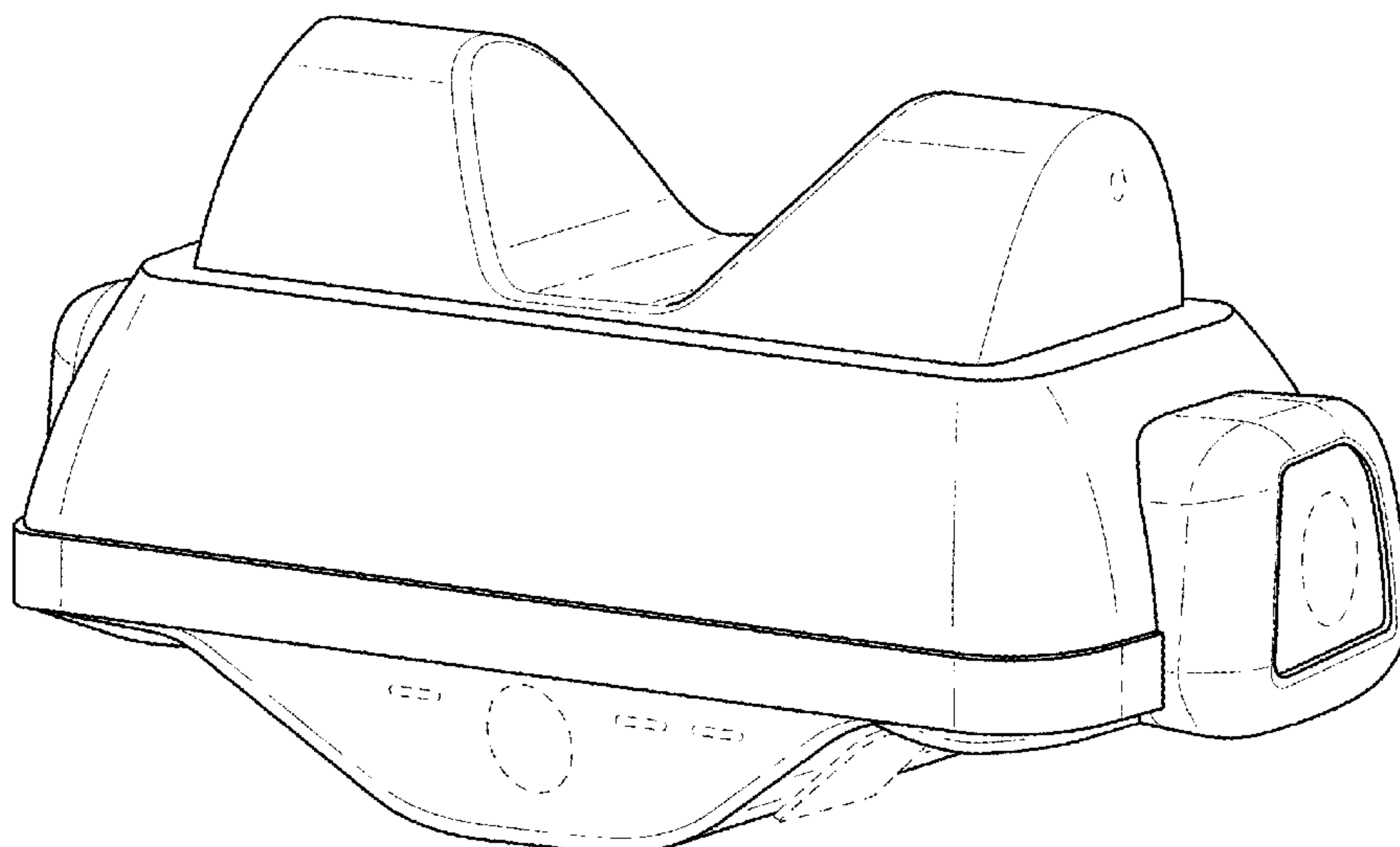
(57) **CLAIM**

The ornamental design for a video analytics device, as shown and described.

DESCRIPTION

FIG. 1 is a perspective view of a video analytics device showing our new design.
FIG. 2 is a front elevational view thereof.
FIG. 3 is a back elevational view.
FIG. 4 is a top plan view.
FIG. 5 is a bottom plan view.
FIG. 6 is a left side elevational view; and,
FIG. 7 is a right side elevational view.
The broken lines depict portions of the video analytics device in which the design is embodied that form no part of the claimed design.

1 Claim, 4 Drawing Sheets



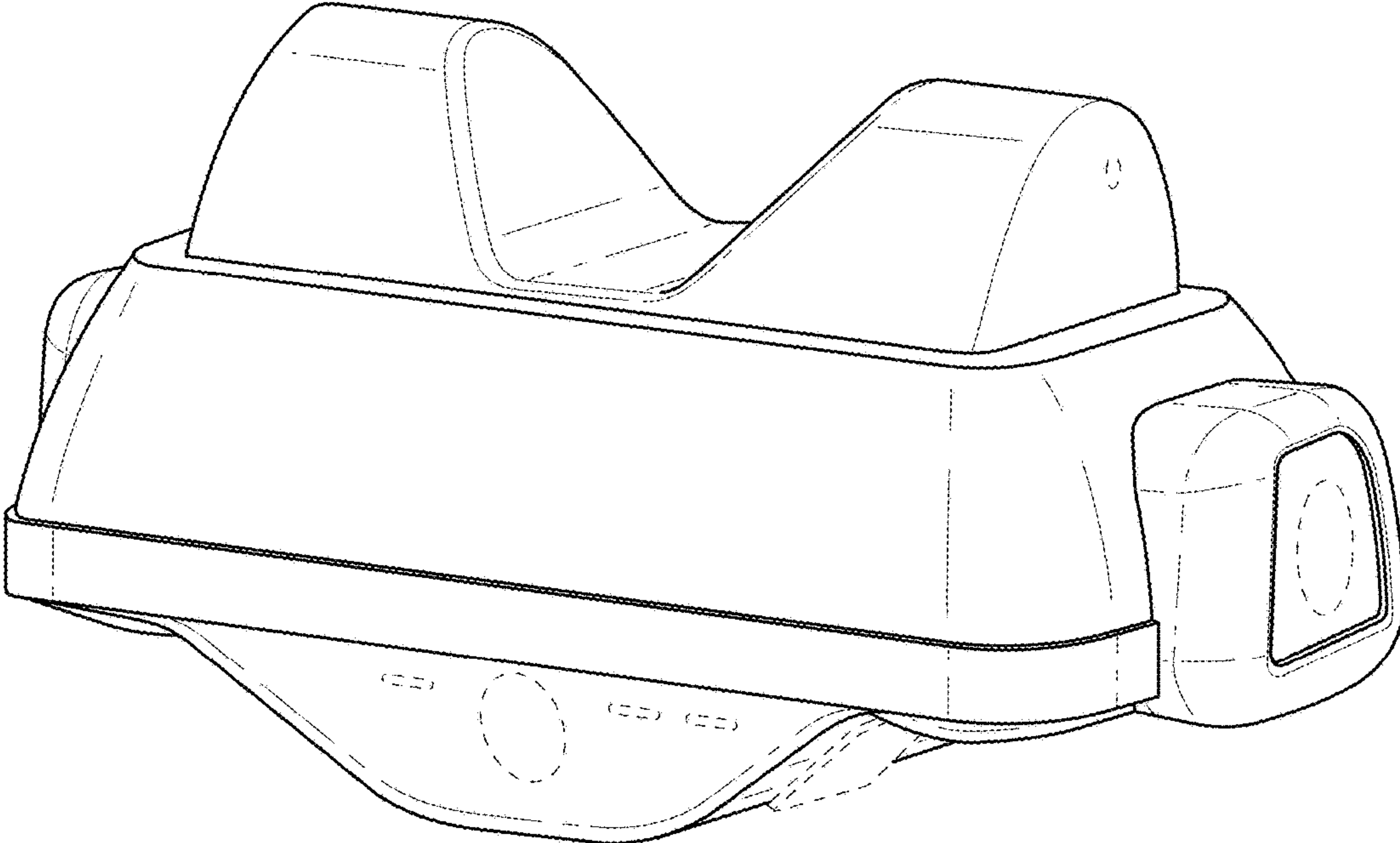


FIG. 1

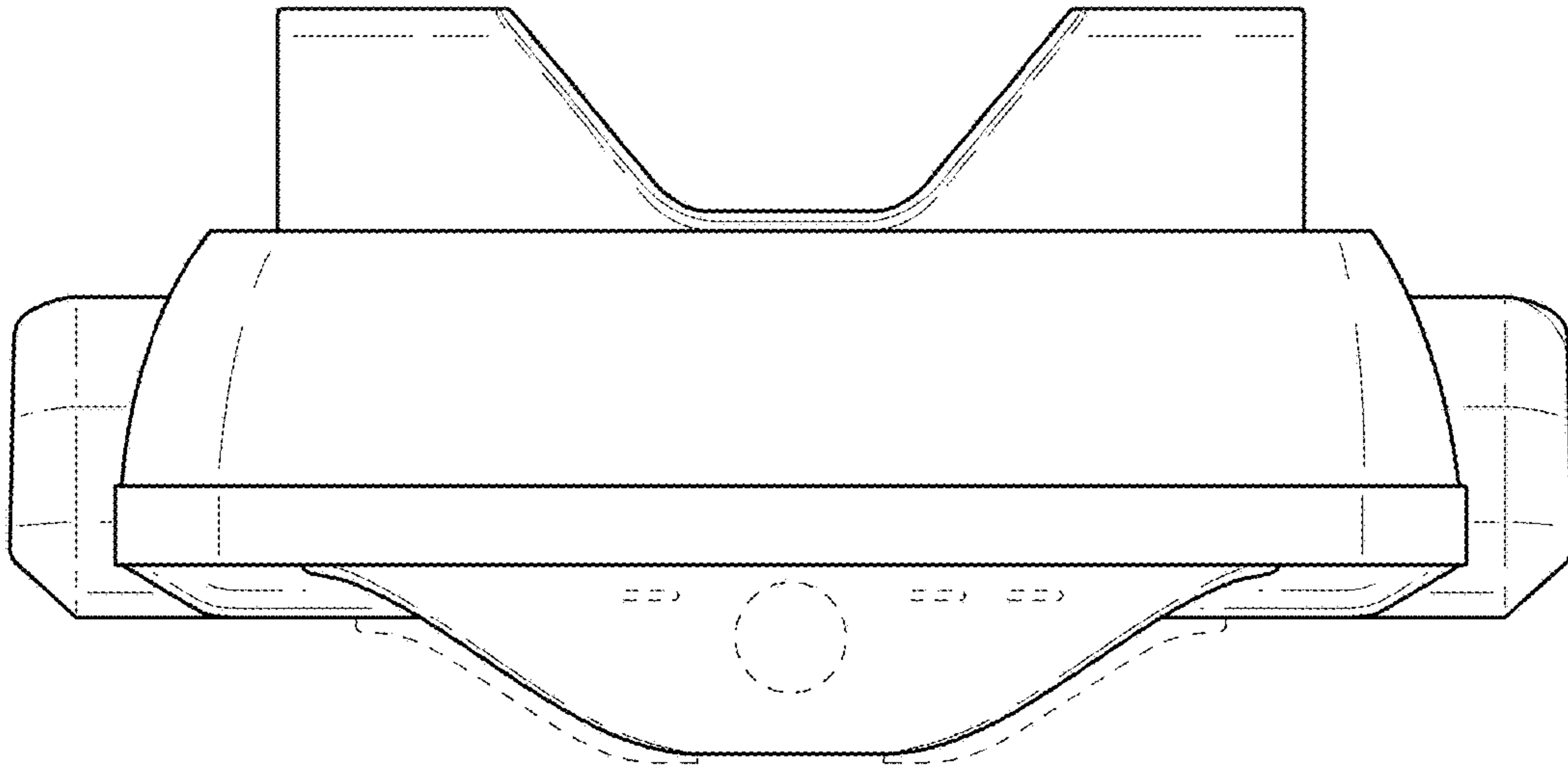


FIG. 2

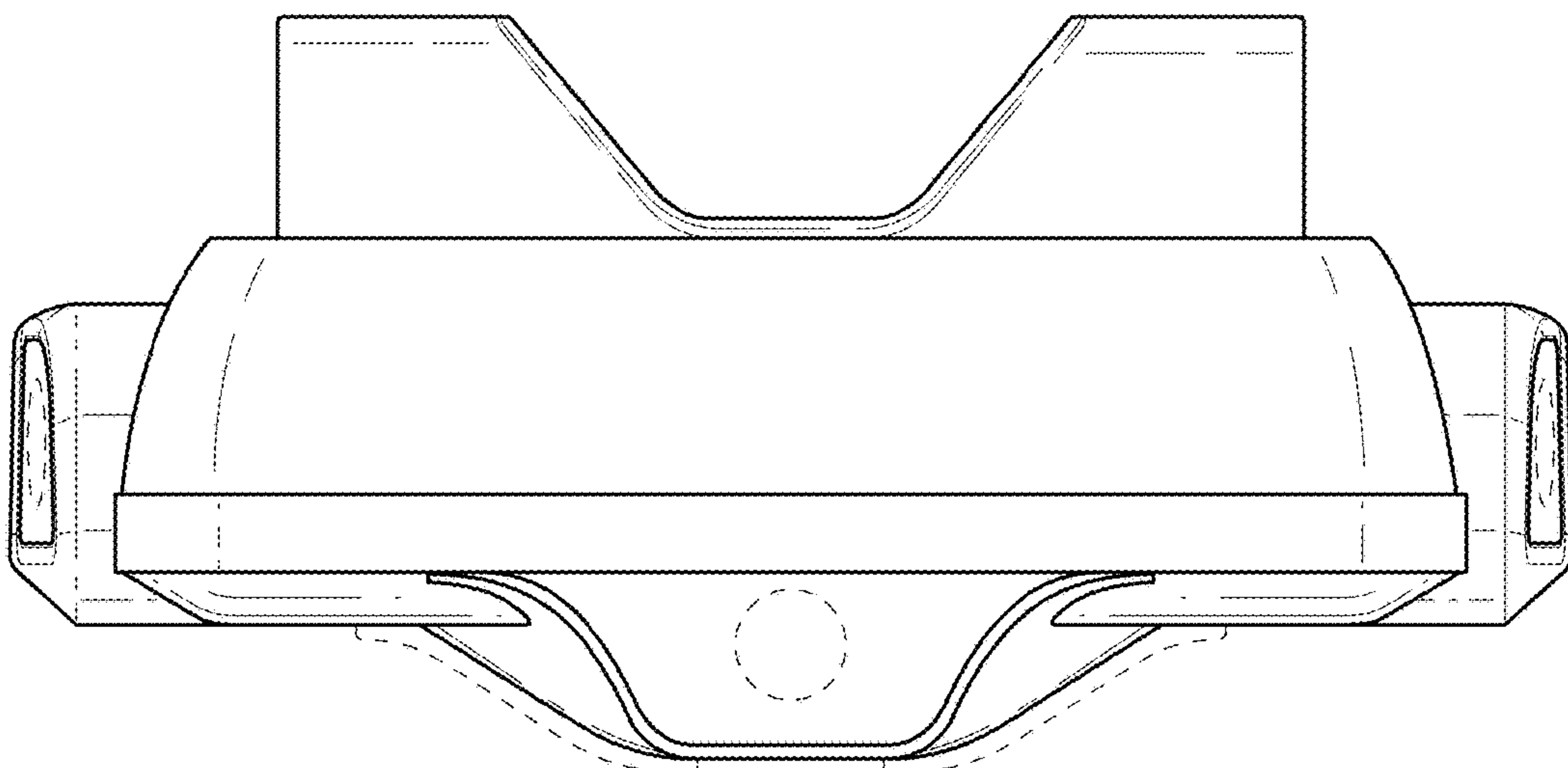


FIG. 3

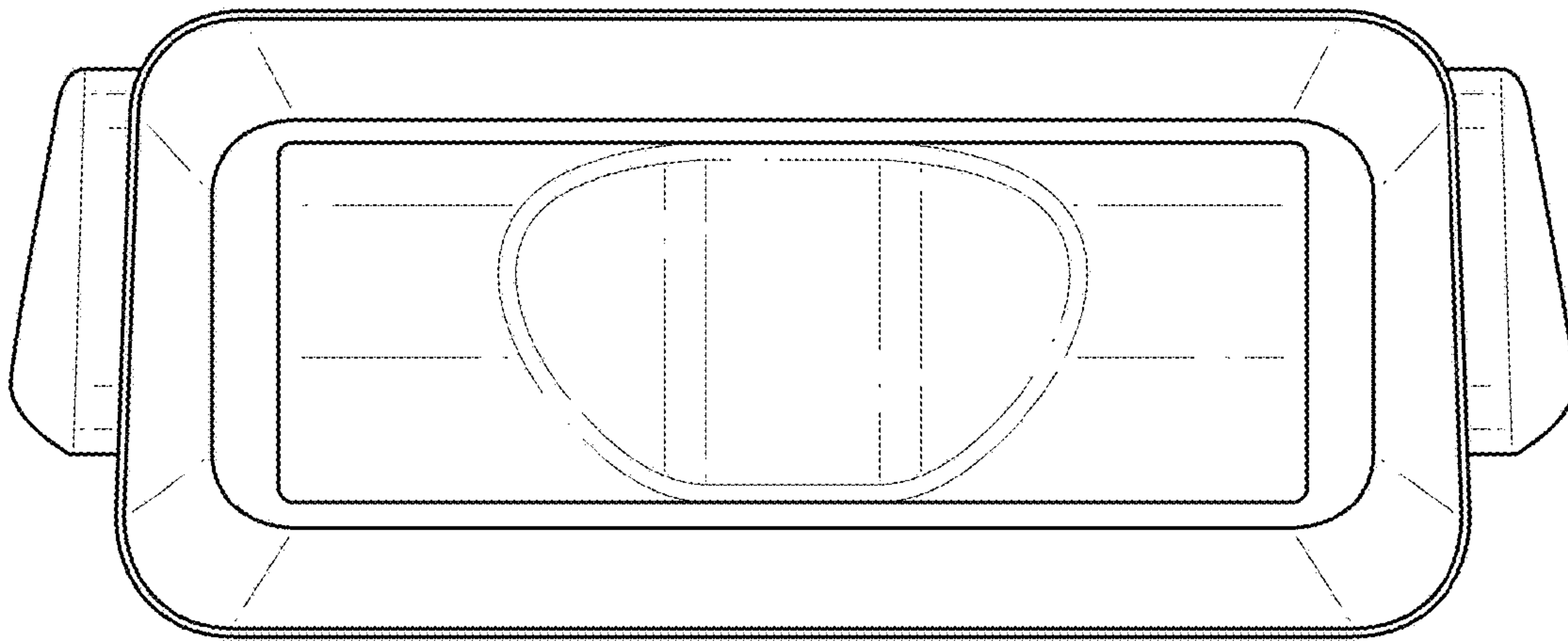


FIG. 4

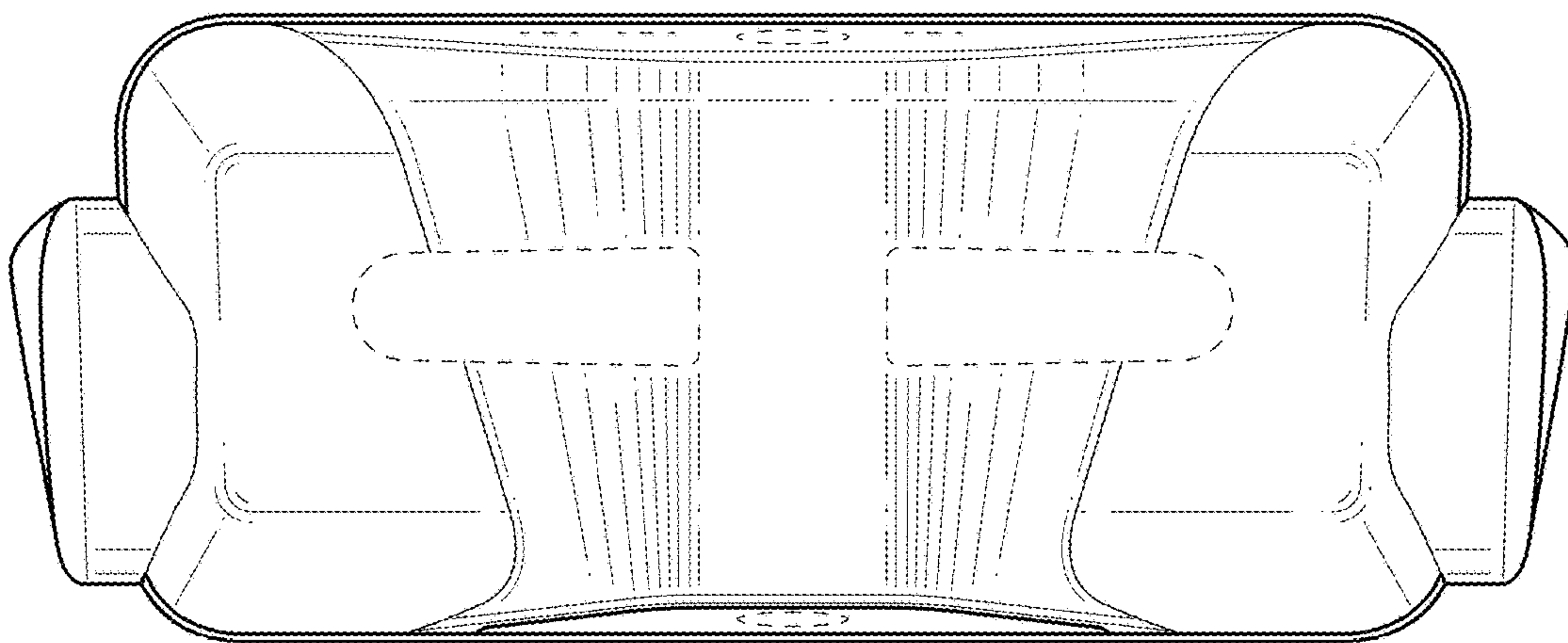


FIG. 5

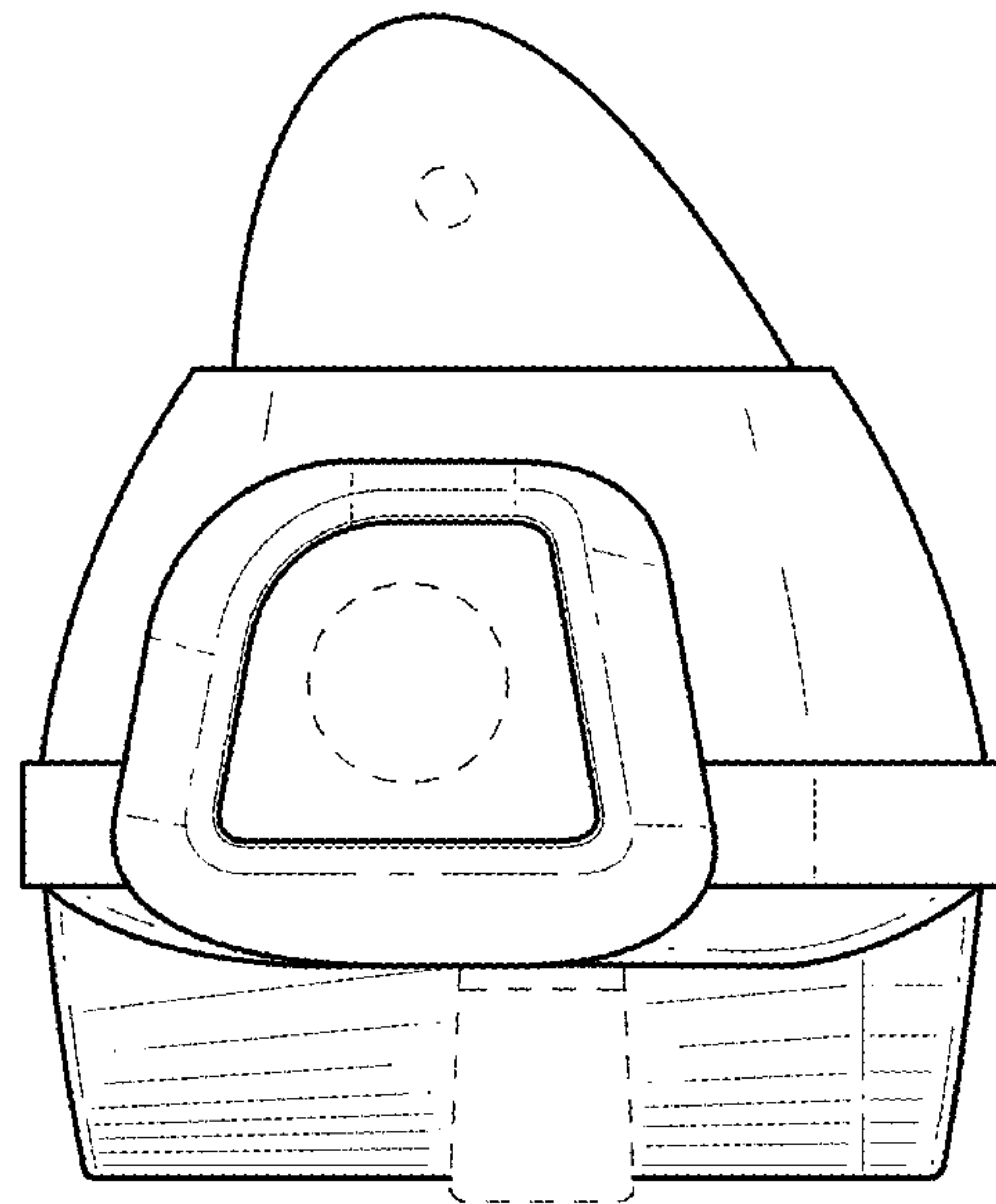


FIG. 6

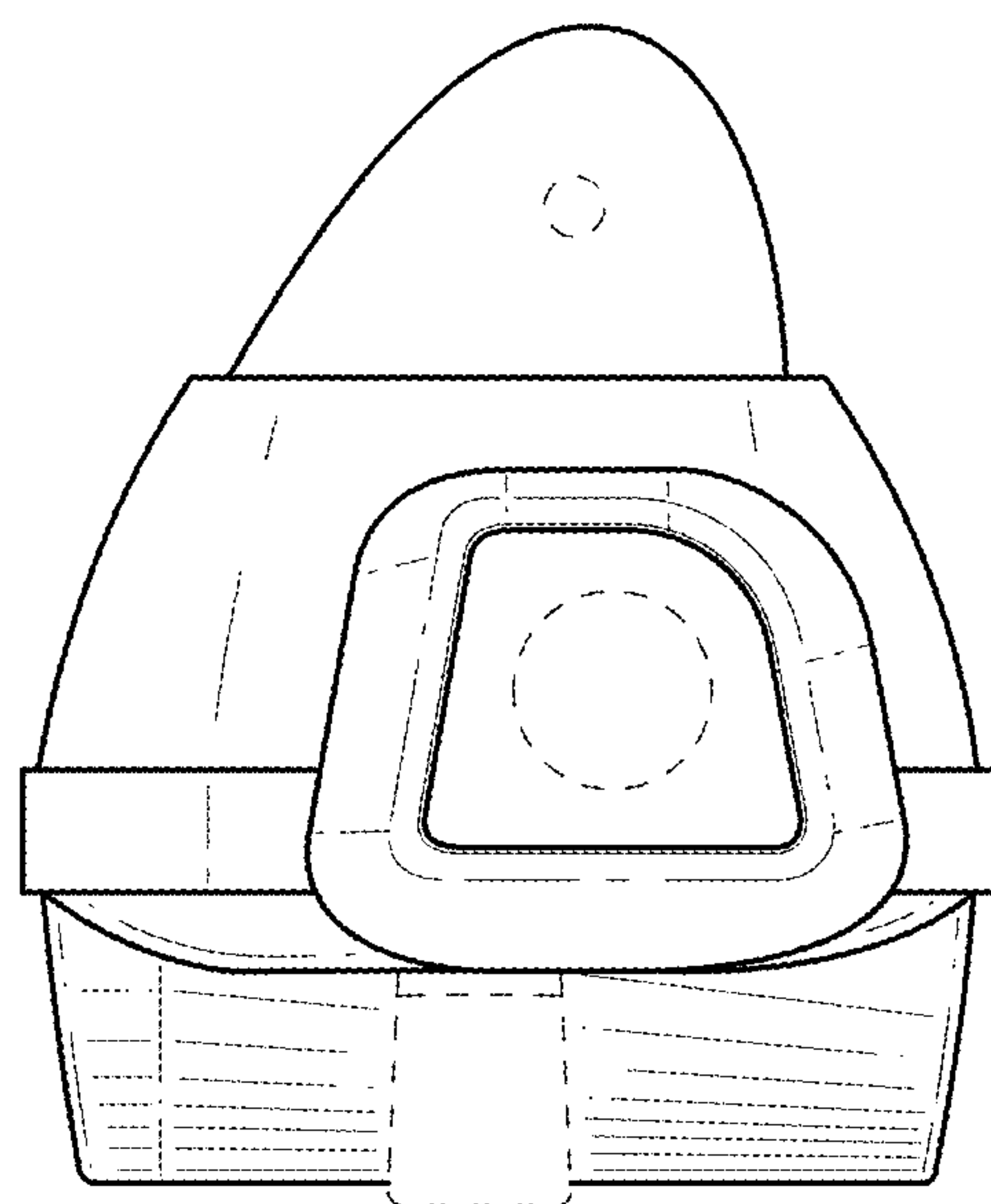


FIG. 7