



US00D828429S

(12) **United States Design Patent**  
**Moon et al.**

(10) **Patent No.:** **US D828,429 S**  
(45) **Date of Patent:** **\*\* Sep. 11, 2018**

(54) **DIGITAL CAMERA**

(71) Applicant: **Samsung Electronics Co., Ltd.**,  
Suwon-si (KR)

(72) Inventors: **Woojung Moon**, Seoul (KR);  
**Joohyung Kim**, Seoul (KR);  
**Woohyeok Jeong**, Seoul (KR); **Haruo**  
**Hayashi**, Seoul (KR)

(73) Assignee: **Samsung Electronics Co., Ltd.**,  
Suwon-si (KR)

(\*\*) Term: **15 Years**

(21) Appl. No.: **29/533,782**

(22) Filed: **Jul. 22, 2015**

(30) **Foreign Application Priority Data**

Feb. 23, 2015 (KR) ..... 30-2015-0009111

(51) **LOC (11) Cl.** ..... **16-01**

(52) **U.S. Cl.**  
USPC ..... **D16/218**

(58) **Field of Classification Search**  
USPC ..... D16/200, 202–206, 218, 219, 242;  
348/143, 148, 151, 373–376; 396/419,  
396/427, 535, 539–541  
CPC ..... G03B 17/02; G03B 19/04; G03B 17/56;  
G03B 17/04; G03B 15/03; H04N 5/2251;  
H04N 5/2252; H04N 5/2253; H04N  
5/2254; H04N 7/181; H04N 7/183; H04N  
7/18; G08B 13/1963; G08B 13/19619;  
G08B 13/19632; F16M 11/04; F16M  
13/00

See application file for complete search history.

(56) **References Cited**

**U.S. PATENT DOCUMENTS**

D442,617 S \* 5/2001 Ohmori ..... D16/204  
D563,446 S \* 3/2008 Stephens ..... D16/202

D729,859 S \* 5/2015 Shin ..... D16/203  
D730,422 S \* 5/2015 Kim ..... D16/218  
D743,465 S \* 11/2015 Aglassinger ..... D16/203  
D745,916 S \* 12/2015 Oh ..... D16/134

(Continued)

**FOREIGN PATENT DOCUMENTS**

EM 001394100-0007 12/2013  
EM 002390336-0002 4/2014

(Continued)

*Primary Examiner* — Philip S Hyder

*Assistant Examiner* — Ramzi S Almatrahi

(74) *Attorney, Agent, or Firm* — NSIP Law

(57) **CLAIM**

We claim the ornamental design for a digital camera, as shown and described.

**DESCRIPTION**

FIG. 1 is a front perspective view of a digital camera showing our new design;

FIG. 2 is a front view thereof;

FIG. 3 is a rear view thereof;

FIG. 4 is a left-side view thereof;

FIG. 5 is a right-side view thereof;

FIG. 6 is a top view thereof;

FIG. 7 is a bottom view thereof;

FIG. 8 is a rear perspective view thereof;

FIG. 9 is a cross-sectional view taken along line 9-9 of FIG. 2;

FIG. 10 is an exploded right side view thereof; and,

FIG. 11 is an exploded front perspective view thereof, in which a clip is disclosed in dash-dot broken lines to illustrate an environment.

The broken lines depict portions of the digital camera in which the design is embodied that form no part of the claimed design. The dash-dot broken lines showing a clip in FIG. 11 represent environmental structure that forms no part of the claimed design.

**1 Claim, 11 Drawing Sheets**

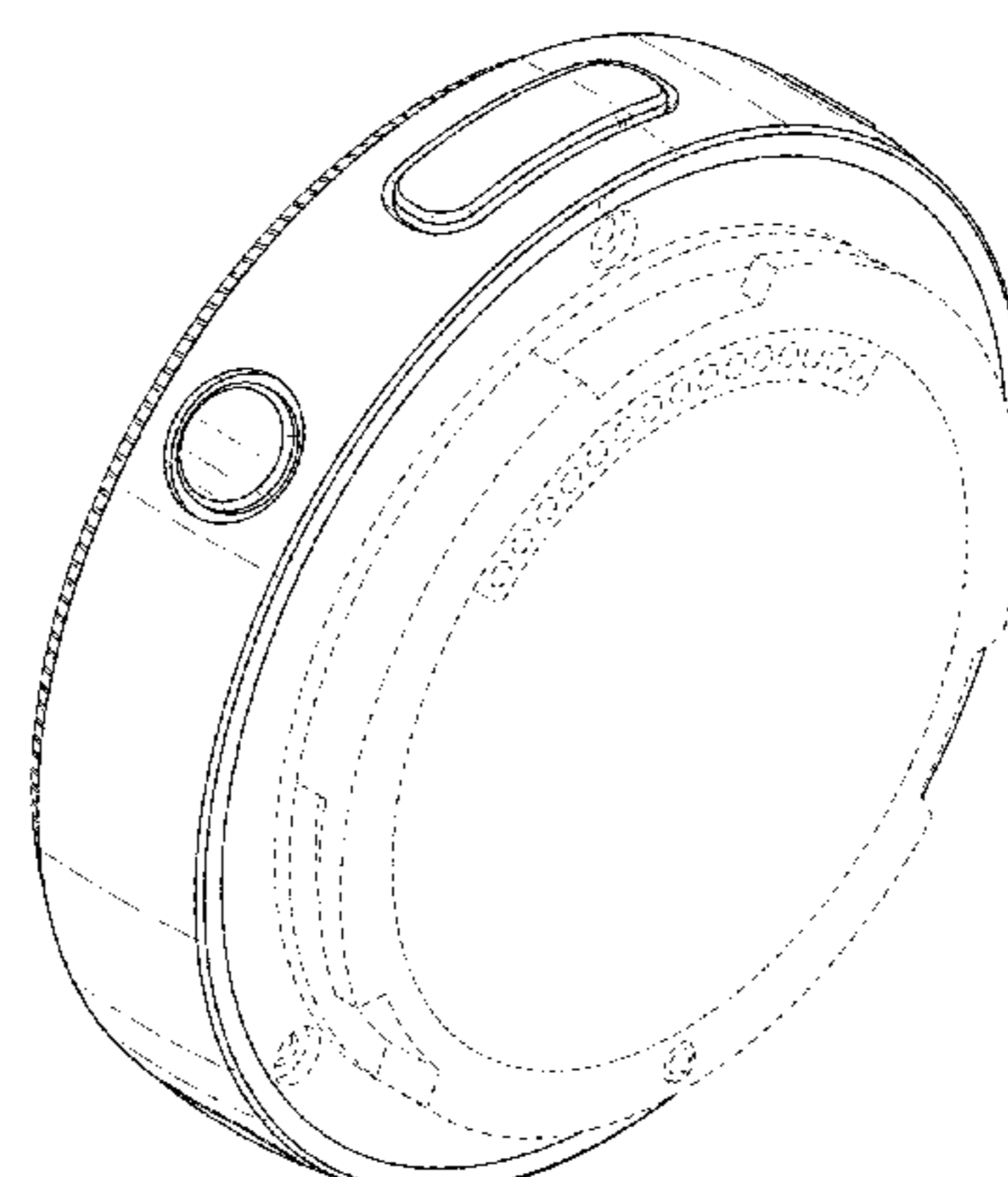
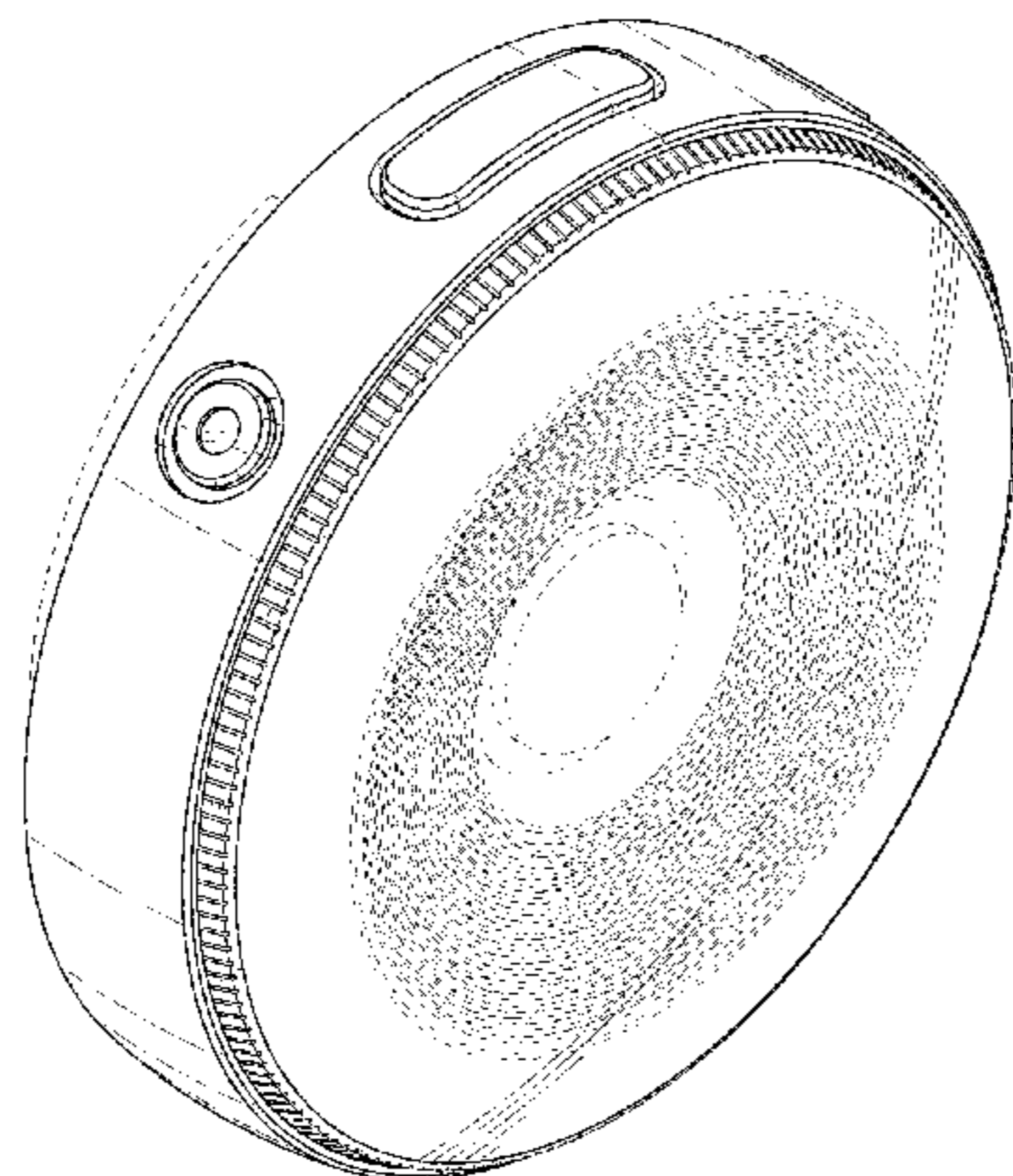




FIG. 1

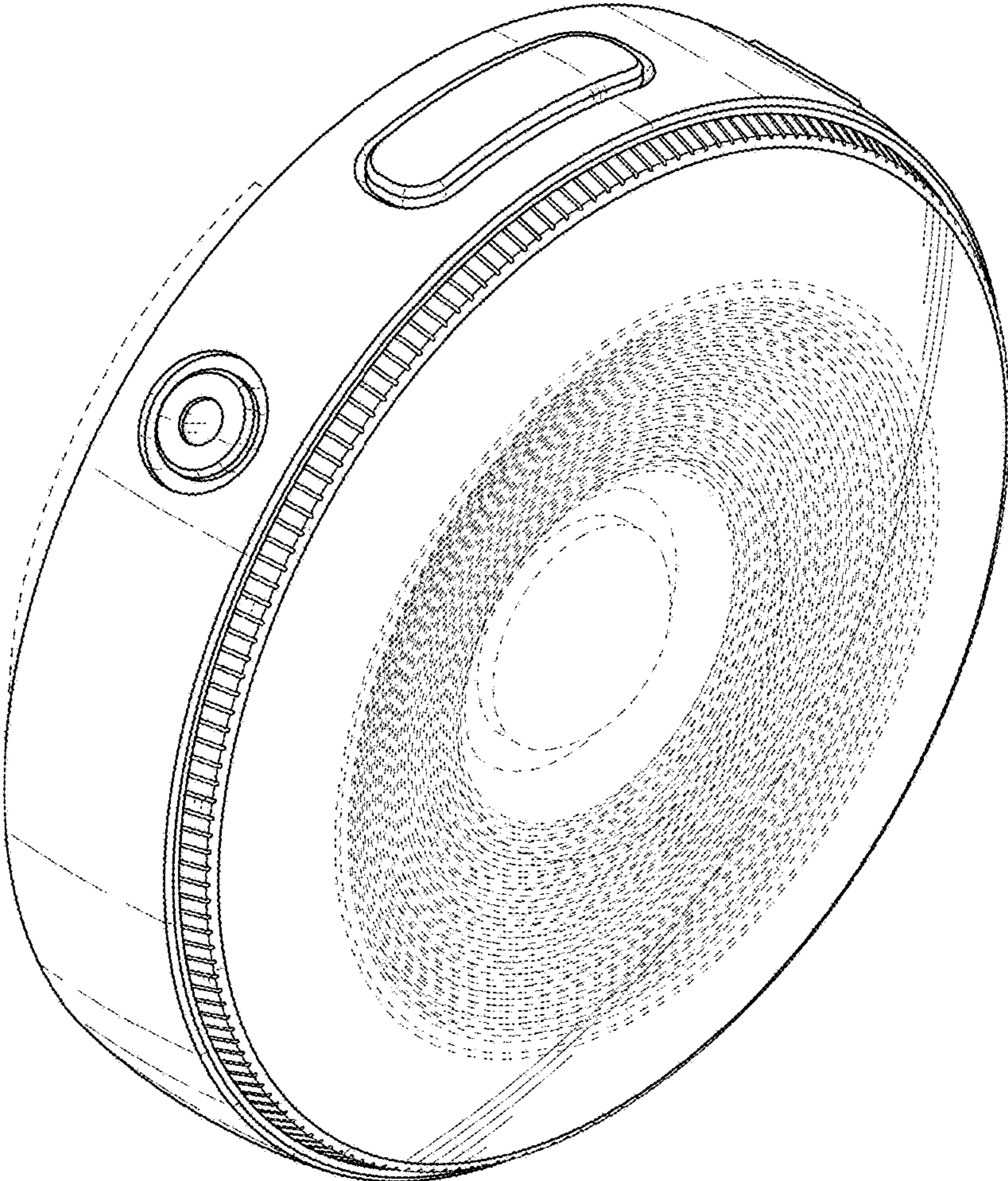


FIG. 2

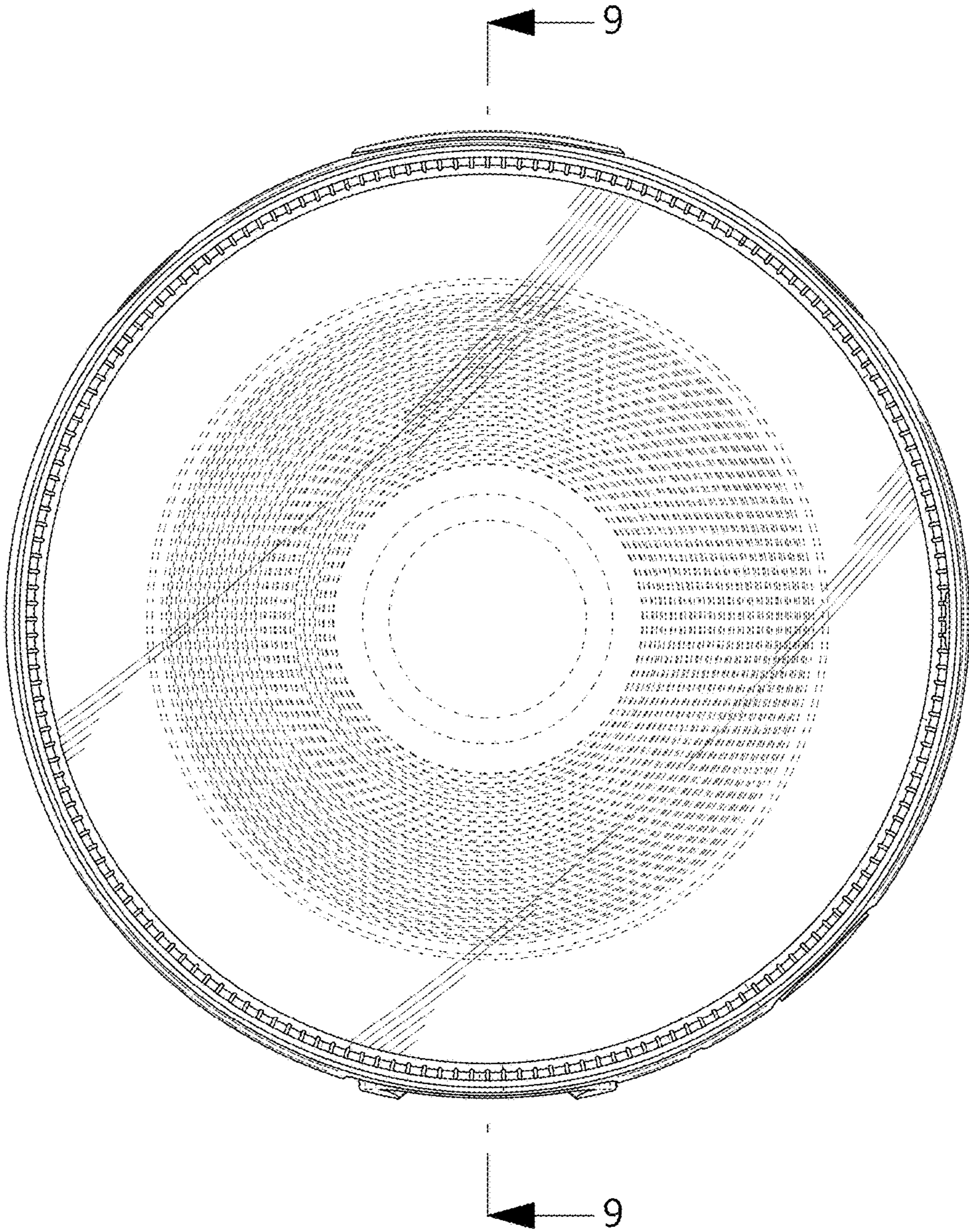


FIG. 3

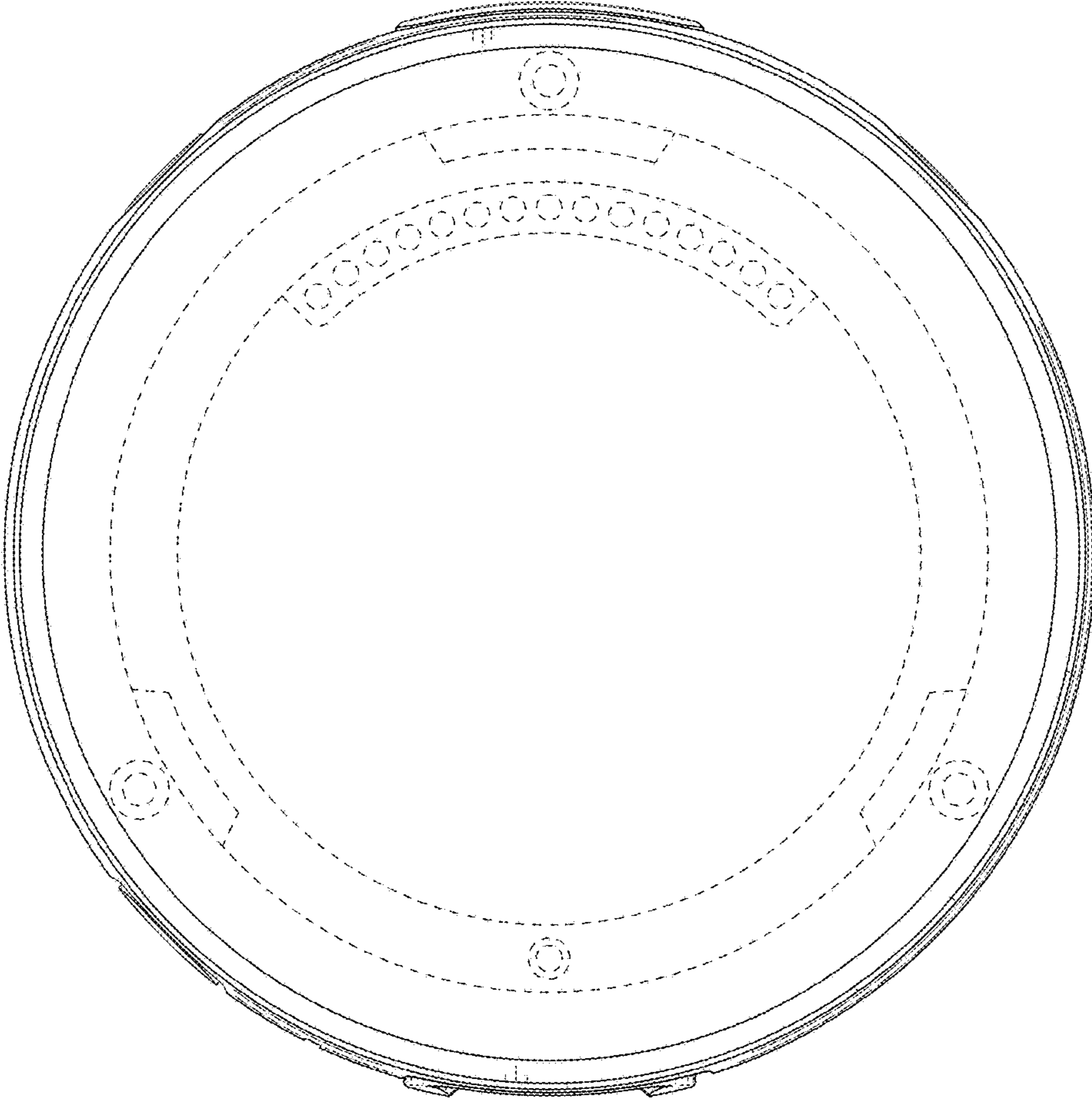


FIG. 4

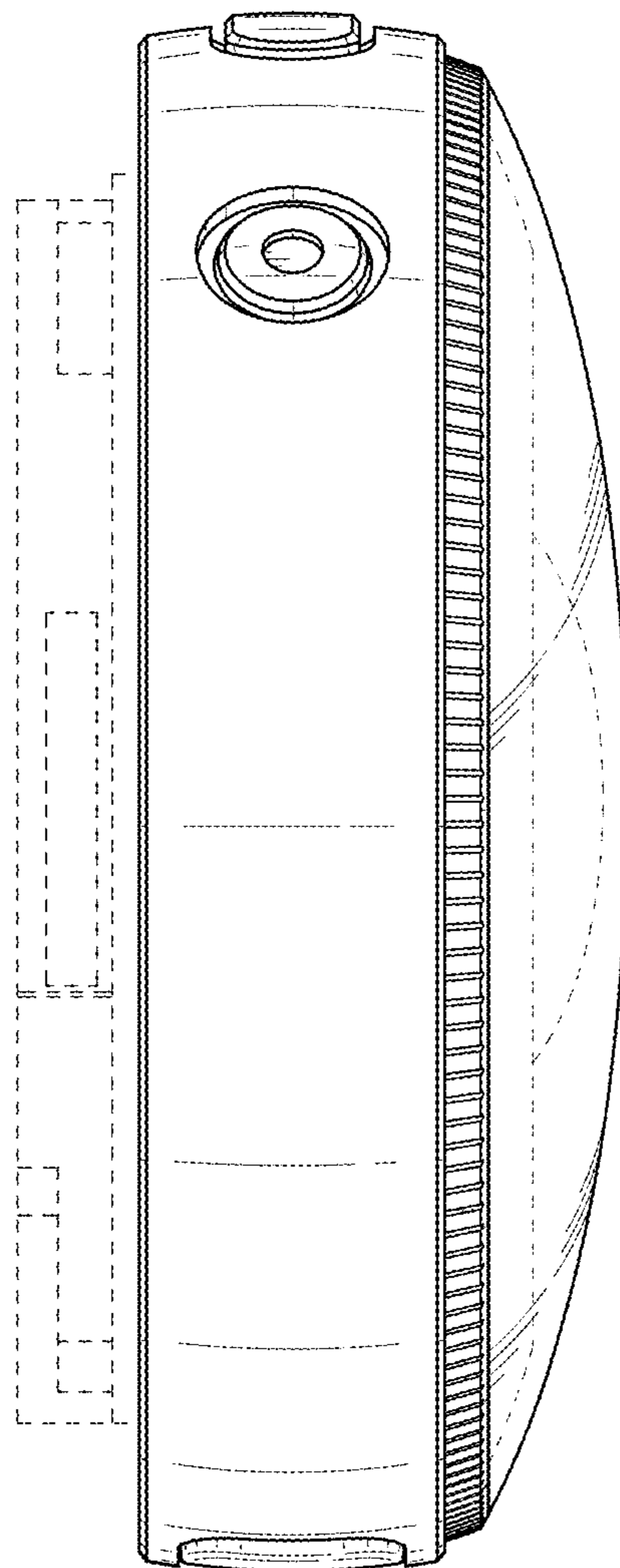


FIG. 5

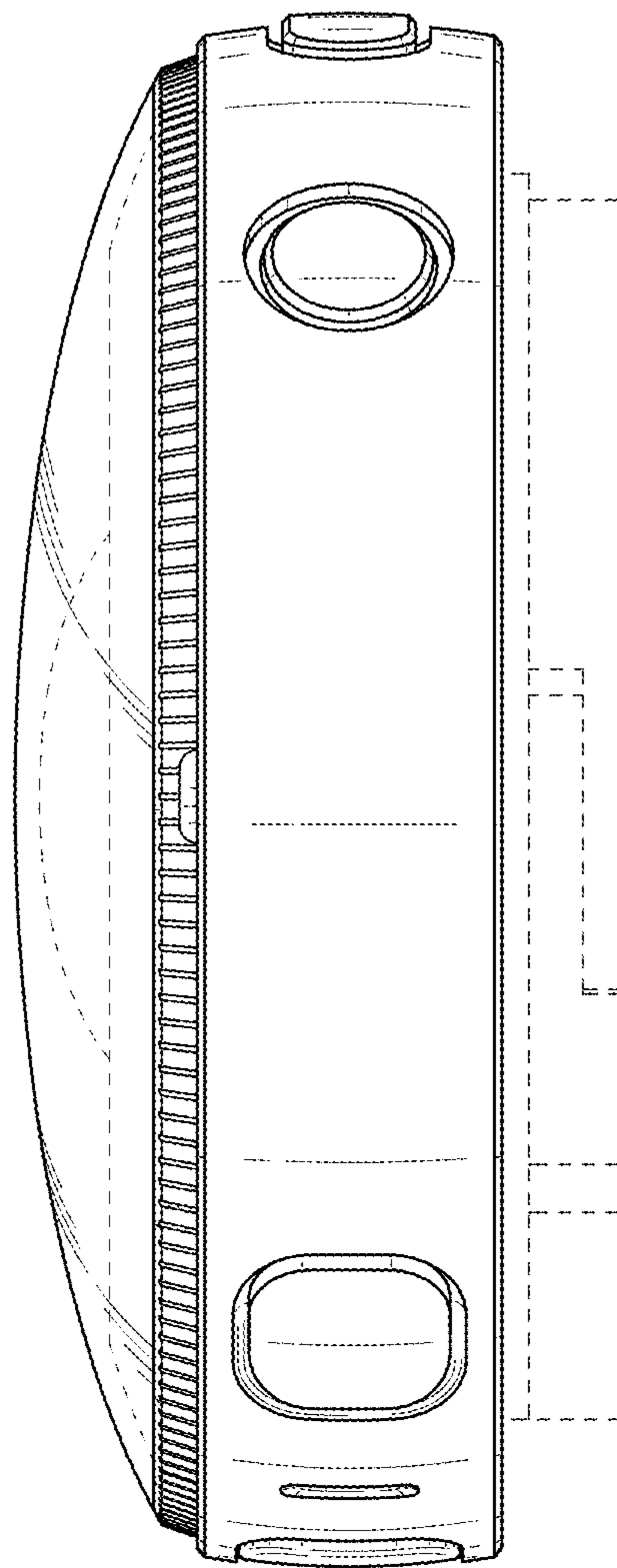


FIG. 6

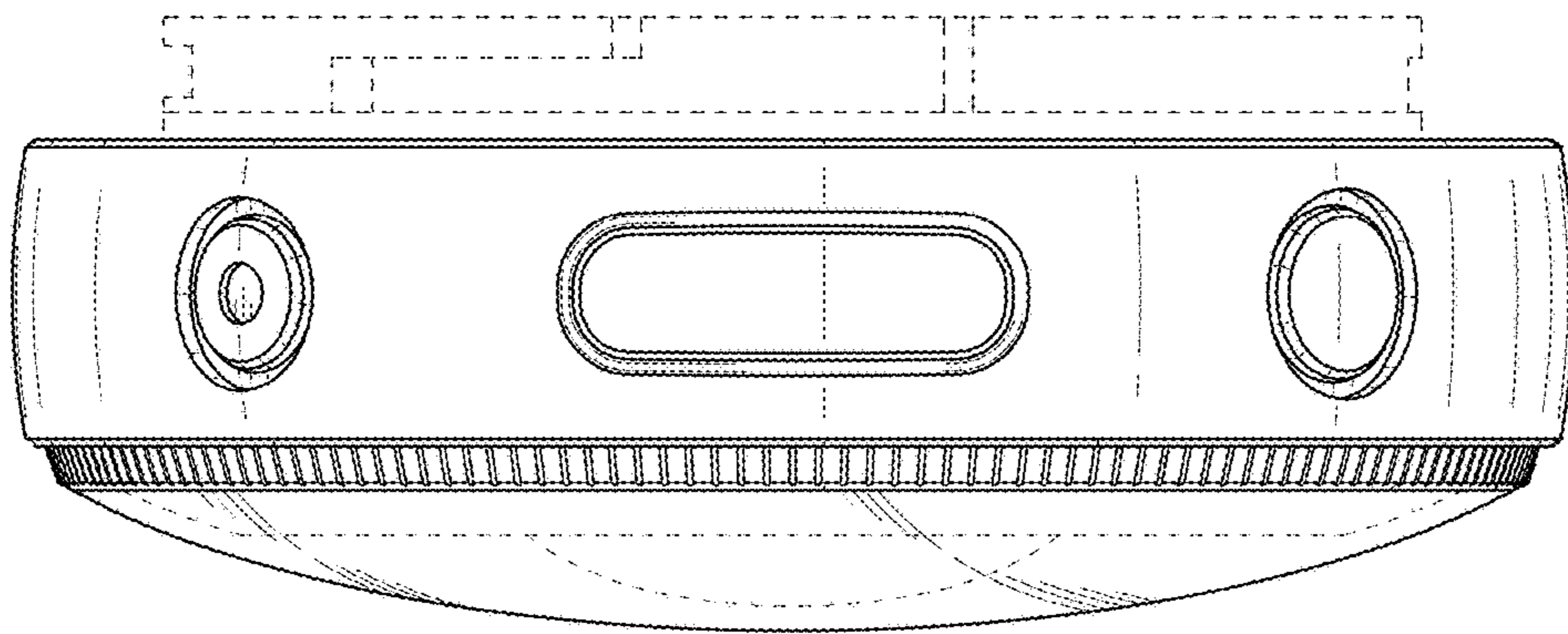




FIG. 7

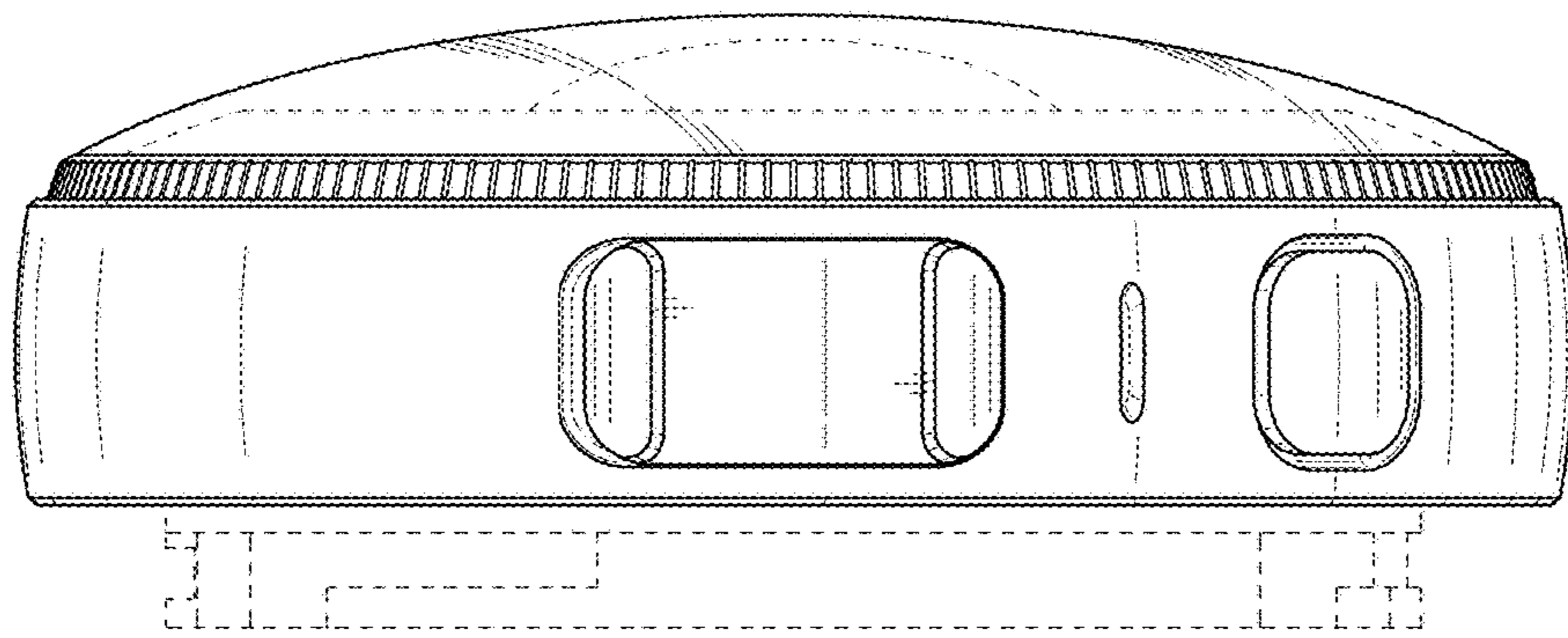


FIG. 8

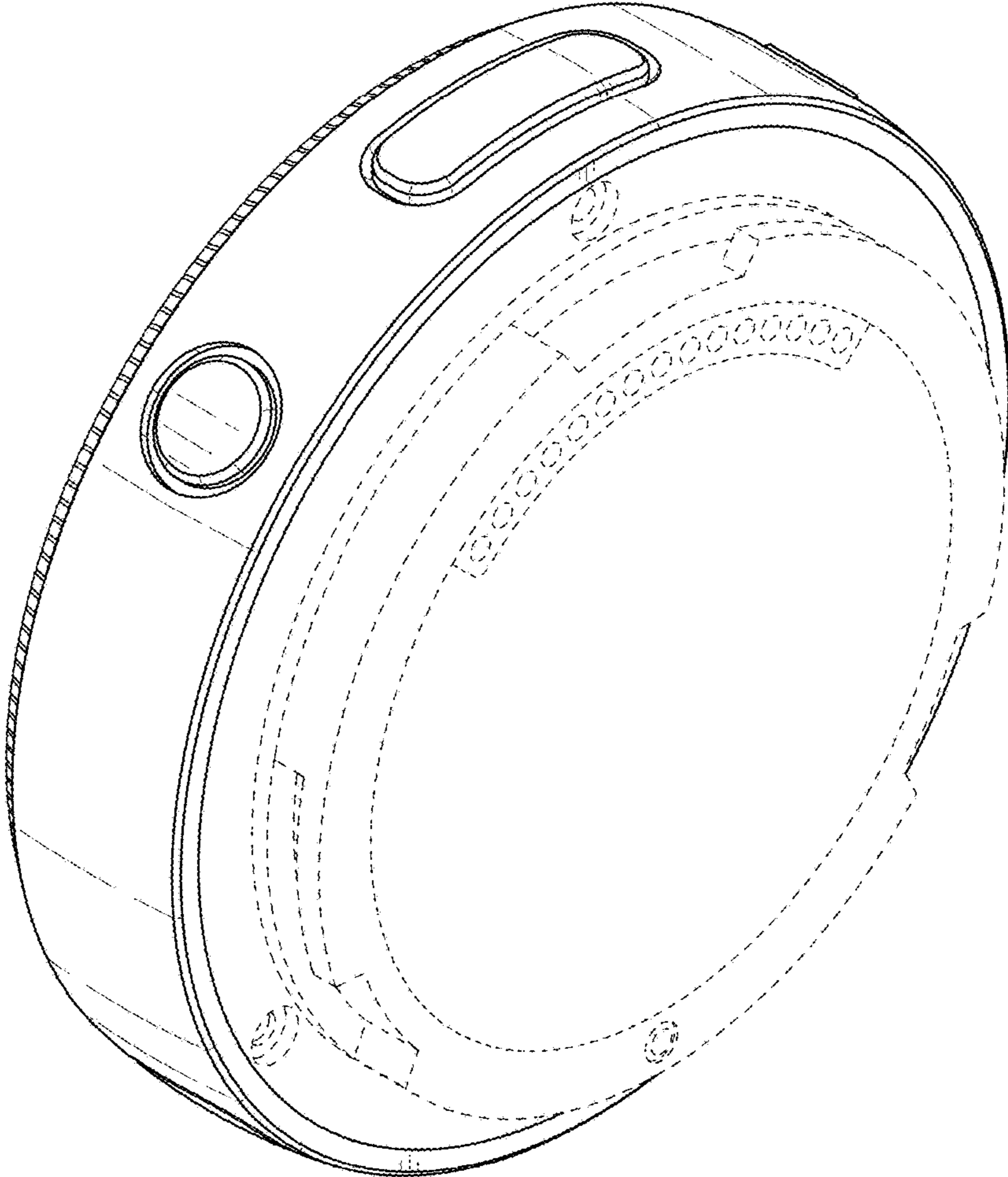


FIG. 9

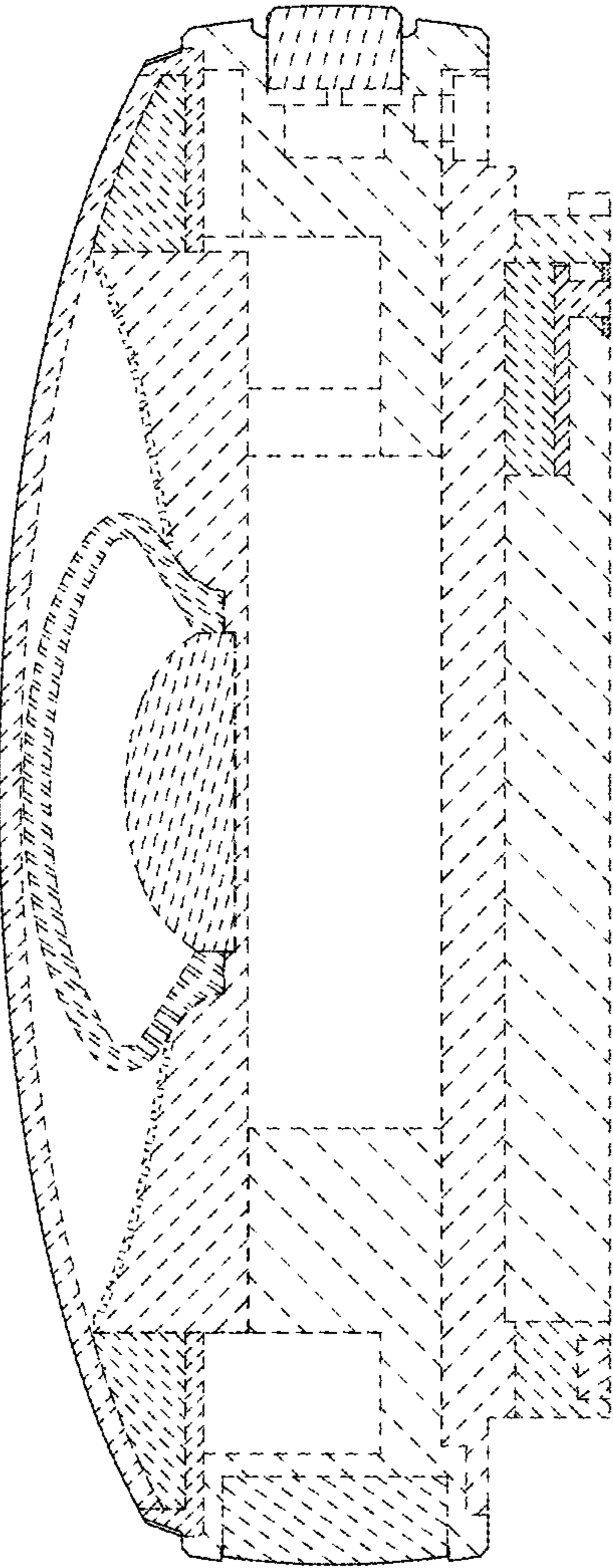


FIG. 10

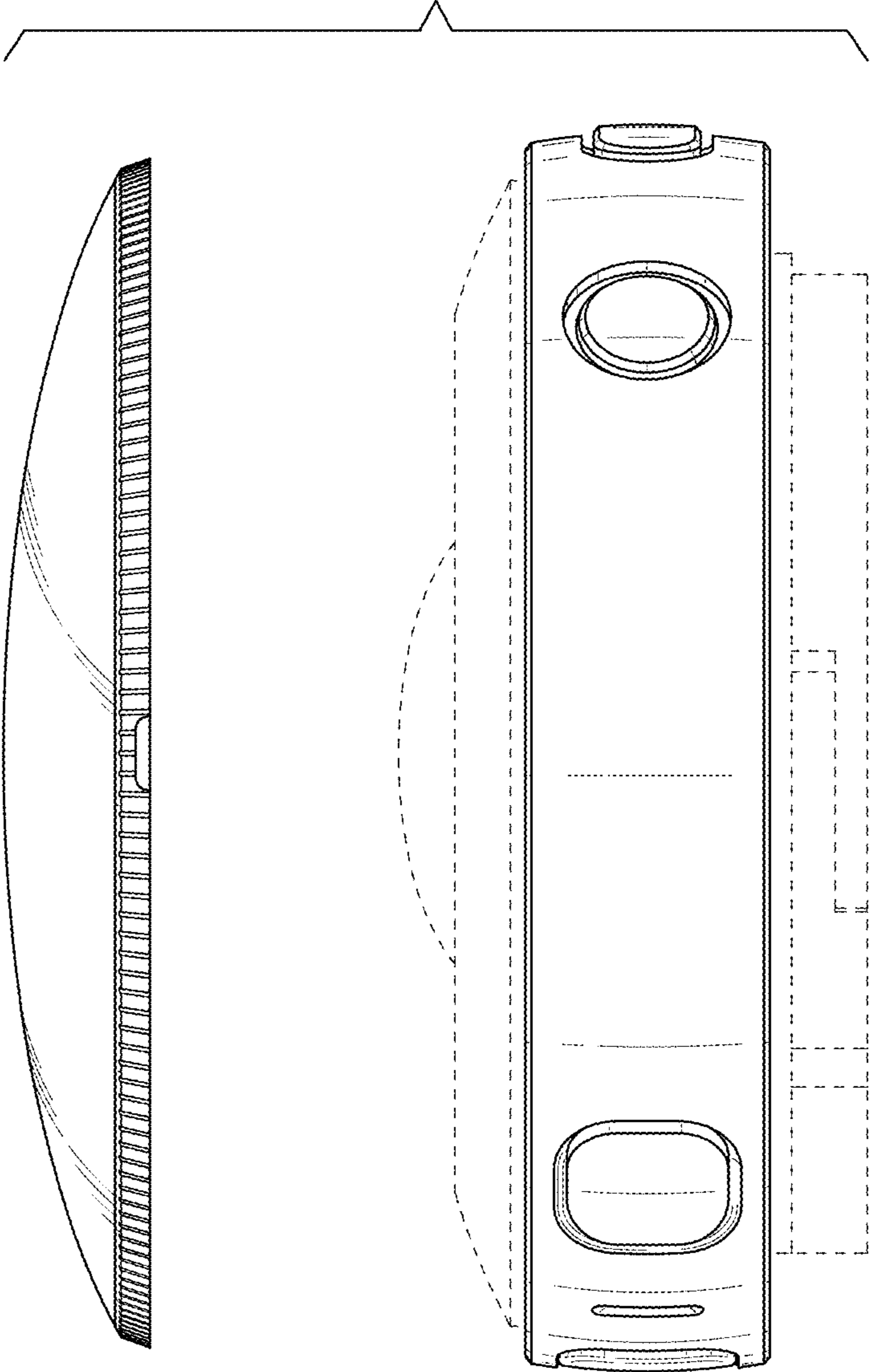


FIG. 11

