

US00D828428S

(12) **United States Design Patent** (10) **Patent No.:** **US D828,428 S**
Lee et al. (45) **Date of Patent:** **** Sep. 11, 2018**

(54) **SURVEILLANCE CAMERA**
(71) Applicant: **LG ELECTRONICS INC., Seoul (KR)**
(72) Inventors: **Hophil Lee, Seoul (KR); Kyoungjoung Kim, Seoul (KR); Bonghui Kang, Seoul (KR)**
(73) Assignee: **LG ELECTRONICS INC., Seoul (KR)**
(**) Term: **15 Years**
(21) Appl. No.: **35/502,234**
(22) Filed: **Jul. 6, 2016**

D441,386 S * 5/2001 Yamazaki D16/203
D442,982 S * 5/2001 Adachi D16/203
D446,801 S * 8/2001 Adachi D16/203
D470,520 S * 2/2003 Yamakawa D16/203
D531,200 S * 10/2006 Taneno D16/203
D612,408 S * 3/2010 Yamakawa D16/203
D613,784 S * 4/2010 Wang D16/203
D643,056 S * 8/2011 Zaliauskas D16/202
D651,633 S * 1/2012 Park D16/203
D694,797 S * 12/2013 Parker D16/202
D719,600 S * 12/2014 Katori D16/203
D727,991 S * 4/2015 Hasegawa D16/203
D736,292 S * 8/2015 Fengmin D16/203
D777,235 S * 1/2017 Jang D16/203
D788,834 S * 6/2017 Bhattacharya D16/203
D794,694 S * 8/2017 Liu D16/203
D795,940 S * 8/2017 Huang D16/203
D795,944 S * 8/2017 Mitchell D16/203

(Continued)

(80) **Hague Agreement Data**
Int. Filing Date: **Jul. 6, 2016**
Int. Reg. No.: **DM/091692**
Int. Reg. Date: **Jul. 6, 2016**
Int. Reg. Pub. Date: **Jan. 6, 2017**

Primary Examiner — Manpreet S Matharu
Assistant Examiner — Holly E Thurman
(74) *Attorney, Agent, or Firm* — Birch, Stewart, Kolasch & Birch, LLP

(30) **Foreign Application Priority Data**
Jan. 7, 2016 (KR) 30-2016-0000704
(51) **LOC (11) Cl.** **16-01**
(52) **U.S. Cl.**
USPC **D16/203**
(58) **Field of Classification Search**
USPC D16/200, 202–206, 208, 218, 219, 242
CPC G03B 17/02; G03B 19/04; G03B 17/56;
G03B 17/04; G03B 17/03; H04N 5/2251;
H04N 5/2252; H04N 5/2253; H04N
5/2254; H04N 7/181; H04N 7/183; H04N
7/18
See application file for complete search history.

(57) **CLAIM**

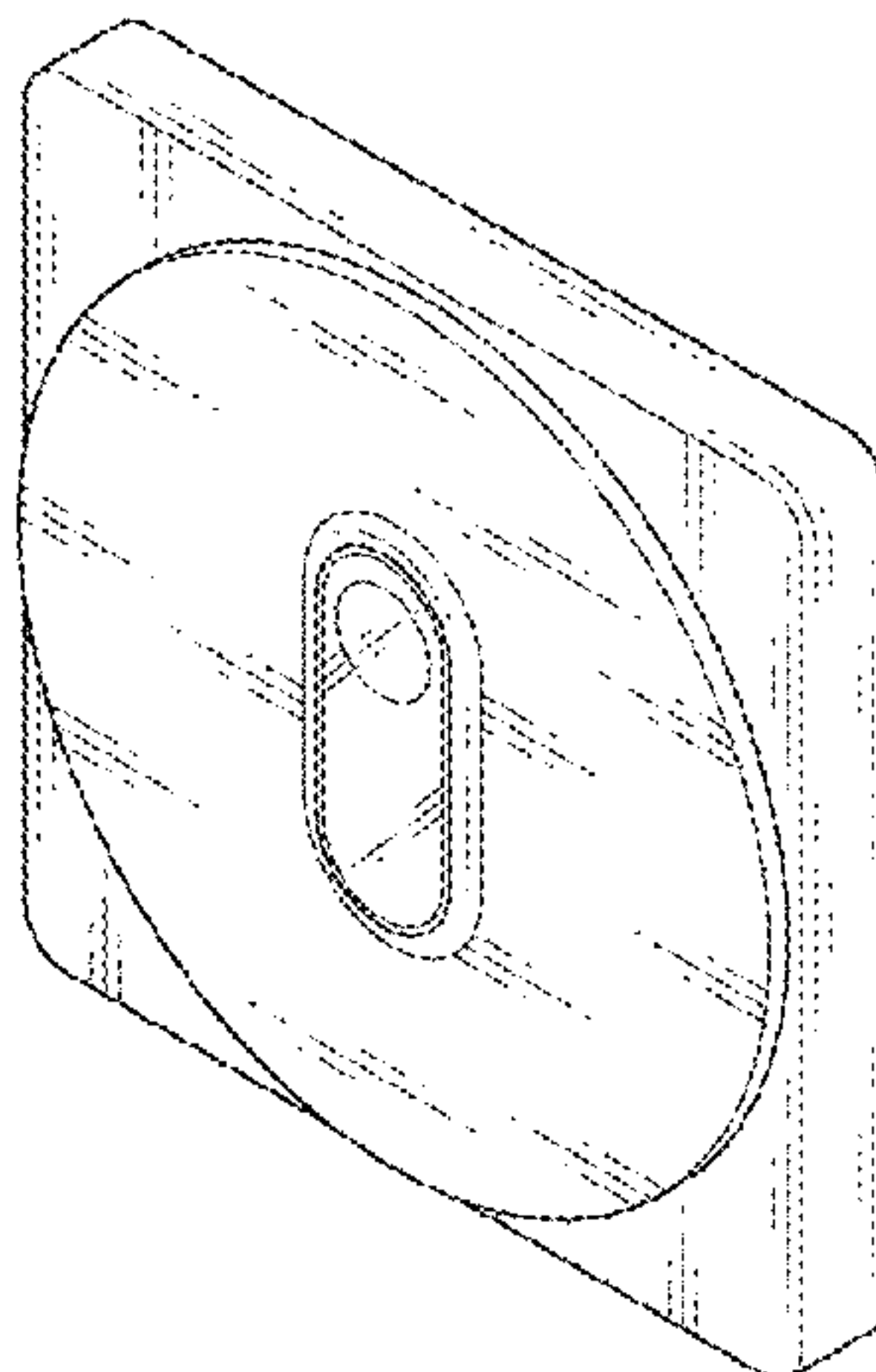
The ornamental design for a surveillance camera, as shown and described.

DESCRIPTION

1. Surveillance camera
1.1 is a perspective view of a surveillance camera, showing our new design;
1.2 is a front elevation view thereof;
1.3 is a rear elevation view thereof;
1.4 is a left-side elevation view thereof;
1.5 is a right-side elevation view thereof;
1.6 is a top plan view thereof; and
1.7 is a bottom plan view thereof.
The broken lines shown in figure 1.3 depict portions of the surveillance camera that form no part of the claimed design.

(56) **References Cited**
U.S. PATENT DOCUMENTS
D320,028 S * 9/1991 Sedighzadeh D16/203
D373,593 S * 9/1996 Hiroko D16/202

1 Claim, 7 Drawing Sheets



(56)

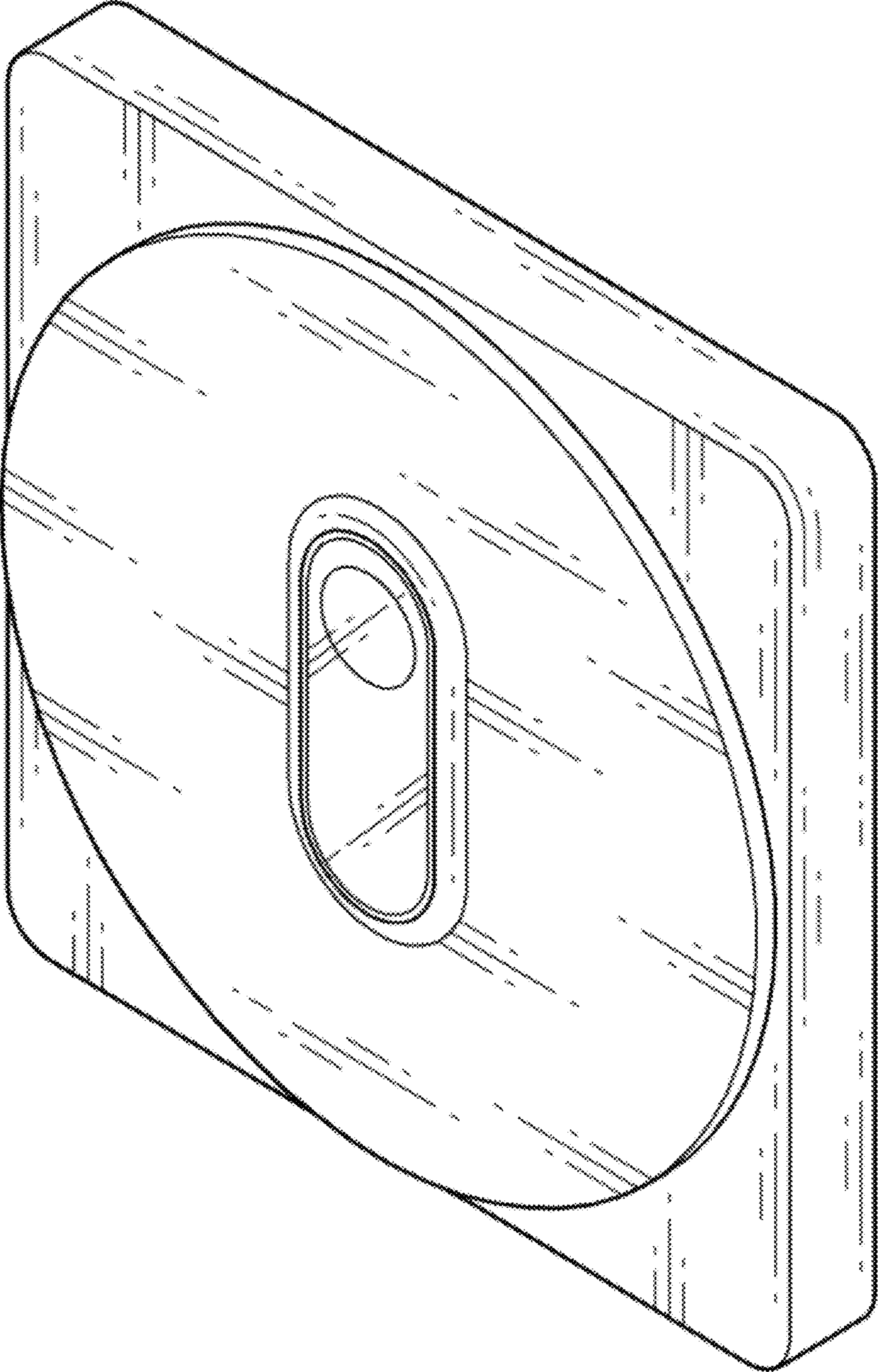
References Cited

U.S. PATENT DOCUMENTS

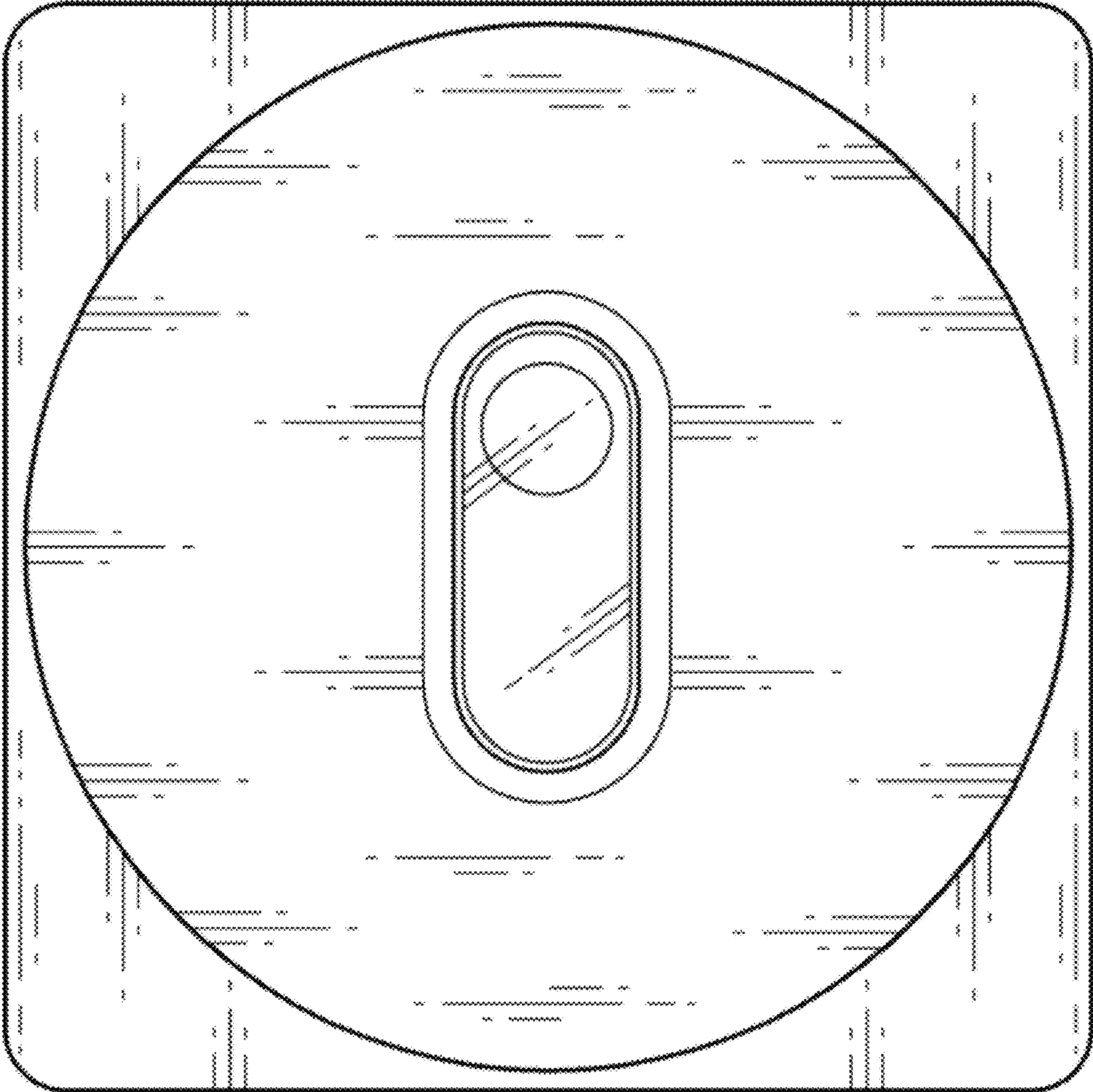
D798,361 S	*	9/2017	Kim	D16/203
D798,931 S	*	10/2017	Kim	D16/203
D802,043 S	*	11/2017	Hikima	D16/203
D802,645 S	*	11/2017	Siminoff	D16/203
D803,289 S	*	11/2017	Glazer	D16/203
D803,923 S	*	11/2017	Tudosoiu	D16/203

* cited by examiner

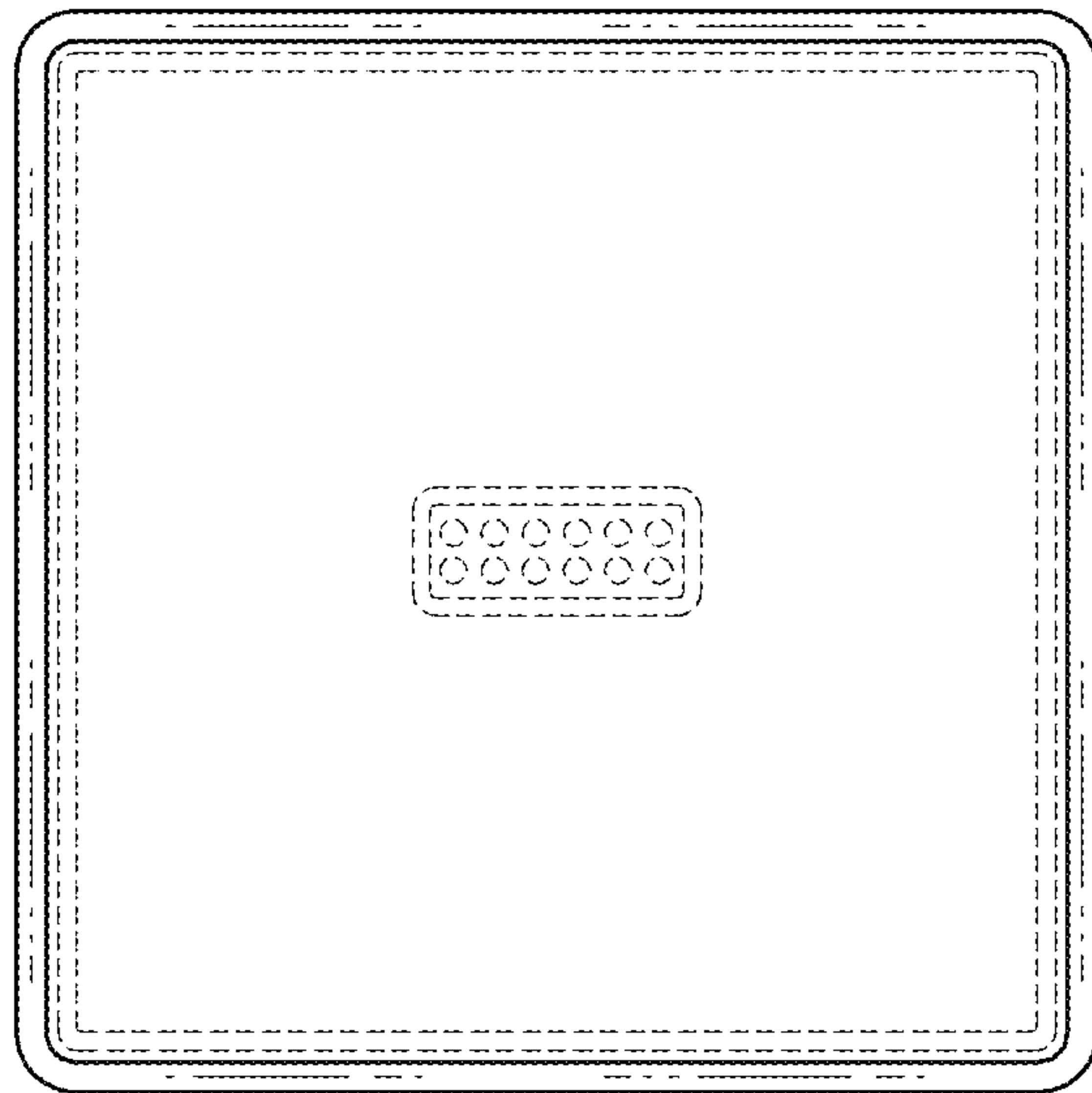
1.1



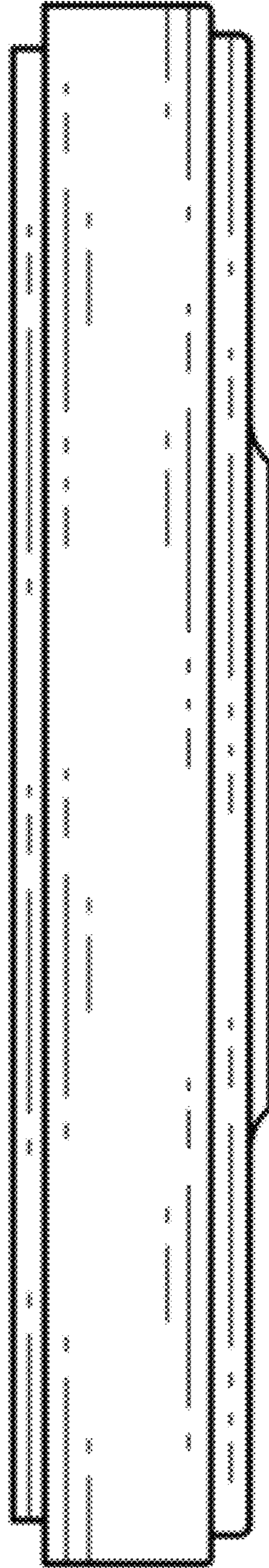
1.2



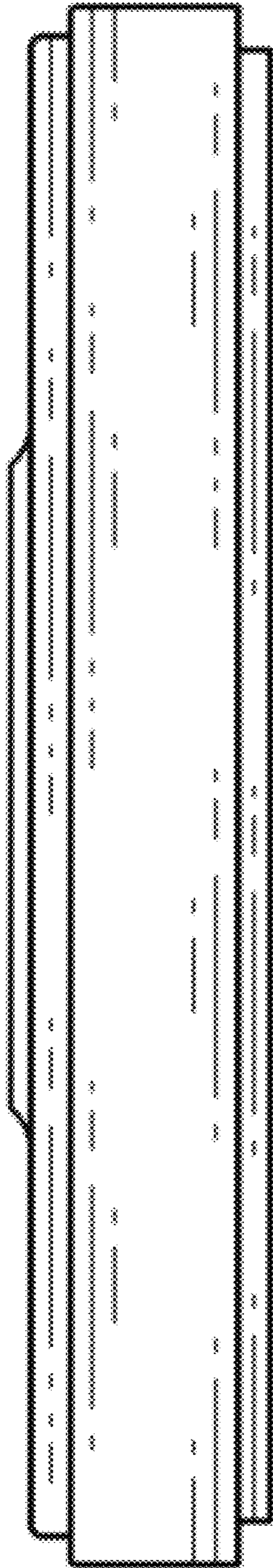
1.3



1.4



1.5



1.6



1.7

