



US00D828426S

(12) **United States Design Patent**  
**Li**

(10) **Patent No.:** **US D828,426 S**

(45) **Date of Patent:** **\*\* Sep. 11, 2018**

(54) **NETWORK CAMERA**

(71) Applicant: **Shenzhen Dericam Technology Co., Ltd.**, Shenzhen (CN)

(72) Inventor: **Zhiqiang Li**, Shenzhen (CN)

(73) Assignee: **SHENZHEN DERICAM TECHNOLOGY CO., LTD.**, Shenzhen (CN)

(\*\*) Term: **15 Years**

(21) Appl. No.: **29/590,629**

(22) Filed: **Jan. 12, 2017**

(30) **Foreign Application Priority Data**

Sep. 14, 2016 (CN) ..... 2016 3 0472115

(51) **LOC (11) Cl.** ..... **16-01**

(52) **U.S. Cl.**  
USPC ..... **D16/202**

(58) **Field of Classification Search**

USPC ..... D16/200, 202–206, 218, 219, 242;  
348/143, 148, 151, 373–376; 396/419,  
396/427, 535, 539–541

CPC ..... G03B 17/02; G03B 19/04; G03B 17/56;  
G03B 17/04; G03B 15/03; H04N 5/2251;  
H04N 5/2252; H04N 5/2253; H04N  
5/2254; H04N 7/181; H04N 7/183; H04N  
7/18; G08B 13/1963; G08B 13/19619;  
G08B 13/19632; F16M 11/04; F16M  
13/00

See application file for complete search history.

(56) **References Cited**

**U.S. PATENT DOCUMENTS**

D721,754 S \* 1/2015 Chen ..... D16/202  
D729,296 S \* 5/2015 Shelton ..... D16/202

D733,781 S \* 7/2015 Chen ..... D16/202  
D740,871 S \* 10/2015 Moon ..... D16/203  
D748,709 S \* 2/2016 Jeong ..... D16/202  
D754,233 S \* 4/2016 Du ..... D16/211  
D761,340 S \* 7/2016 Pacurariu ..... D16/202  
D784,434 S \* 4/2017 Benedetti ..... D16/202  
9,631,767 B2 \* 4/2017 Kilgore ..... F16M 11/2064  
D785,693 S \* 5/2017 Kim ..... D16/202  
D795,938 S \* 8/2017 Ravat ..... D16/202  
D798,360 S \* 9/2017 Jeong ..... D16/203

\* cited by examiner

*Primary Examiner* — Philip S Hyder

*Assistant Examiner* — Ramzi S Almatrahi

(74) *Attorney, Agent, or Firm* — Hemisphere Law, PLLC;  
Zhigang Ma

(57) **CLAIM**

The ornamental design for a network camera, as shown and described.

**DESCRIPTION**

FIG. 1 is a front perspective view of a network camera showing my new design;

FIG. 2 is a rear perspective view thereof;

FIG. 3 is a front elevational view thereof;

FIG. 4 is a rear elevational view thereof;

FIG. 5 is a left side elevational view thereof;

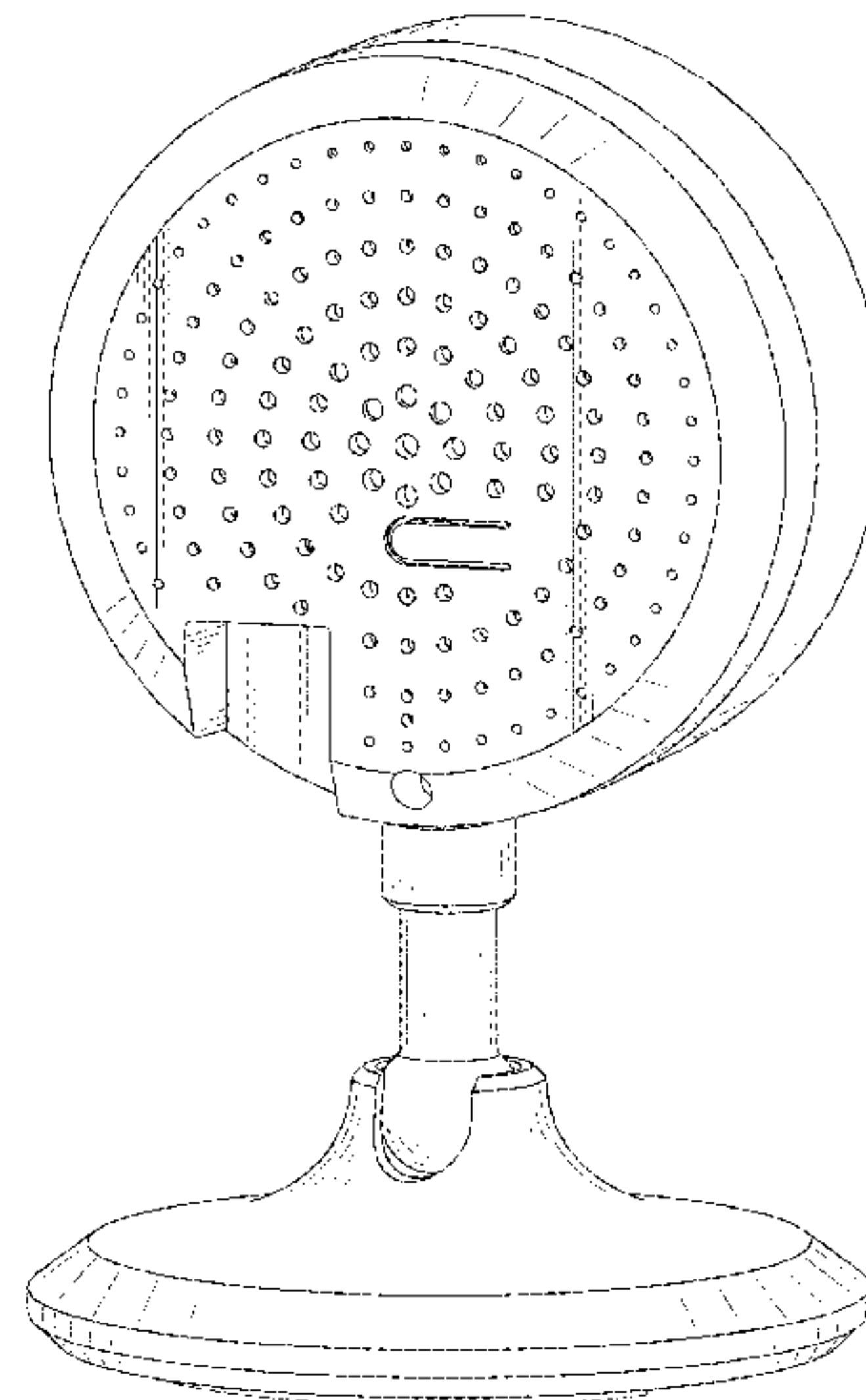
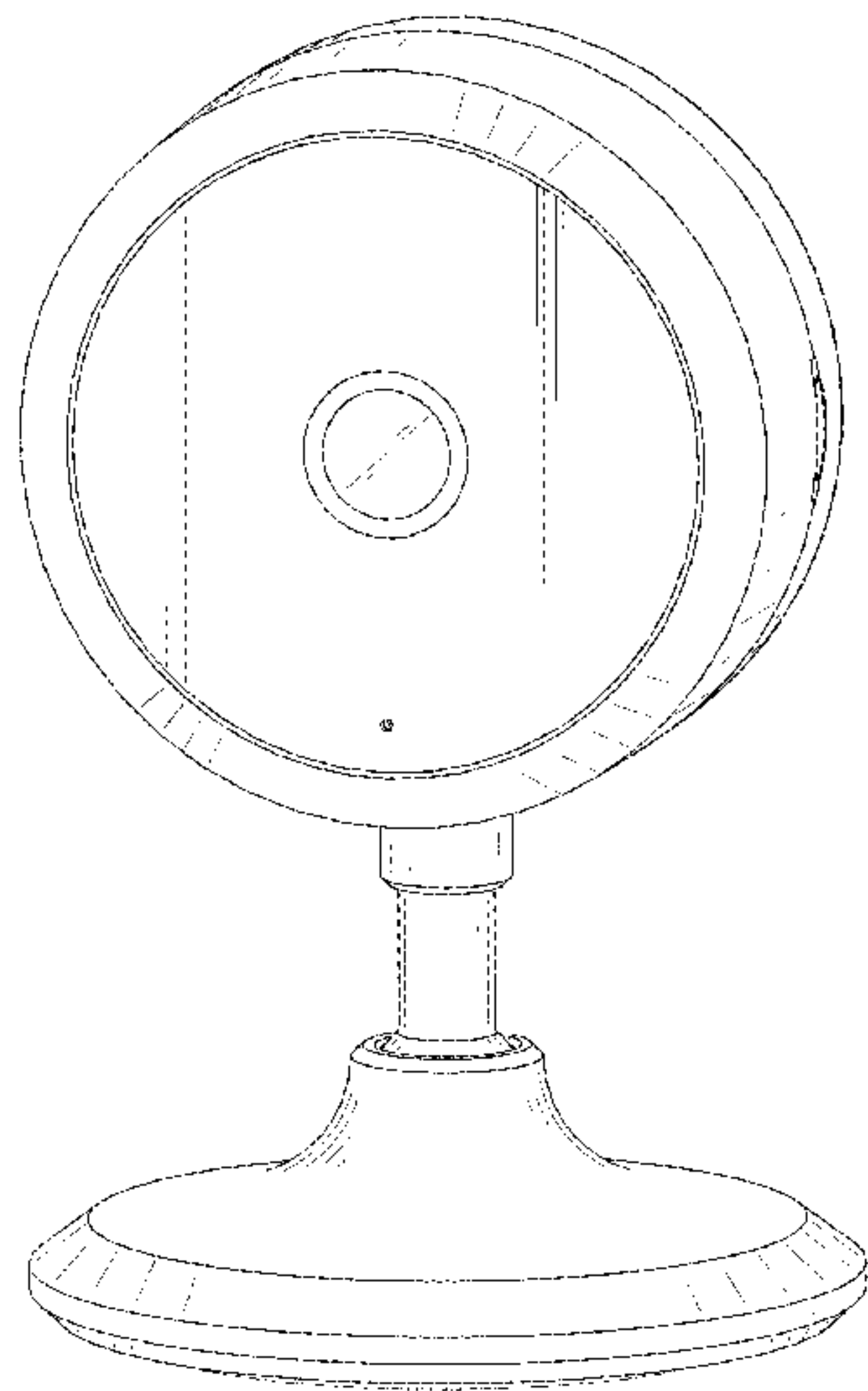
FIG. 6 is a right side elevational view thereof;

FIG. 7 is a top plan view thereof; and,

FIG. 8 is a bottom plan view thereof.

The broken lines depict portions of the network camera in which the design is embodied that form no part of the claimed design.

**1 Claim, 8 Drawing Sheets**



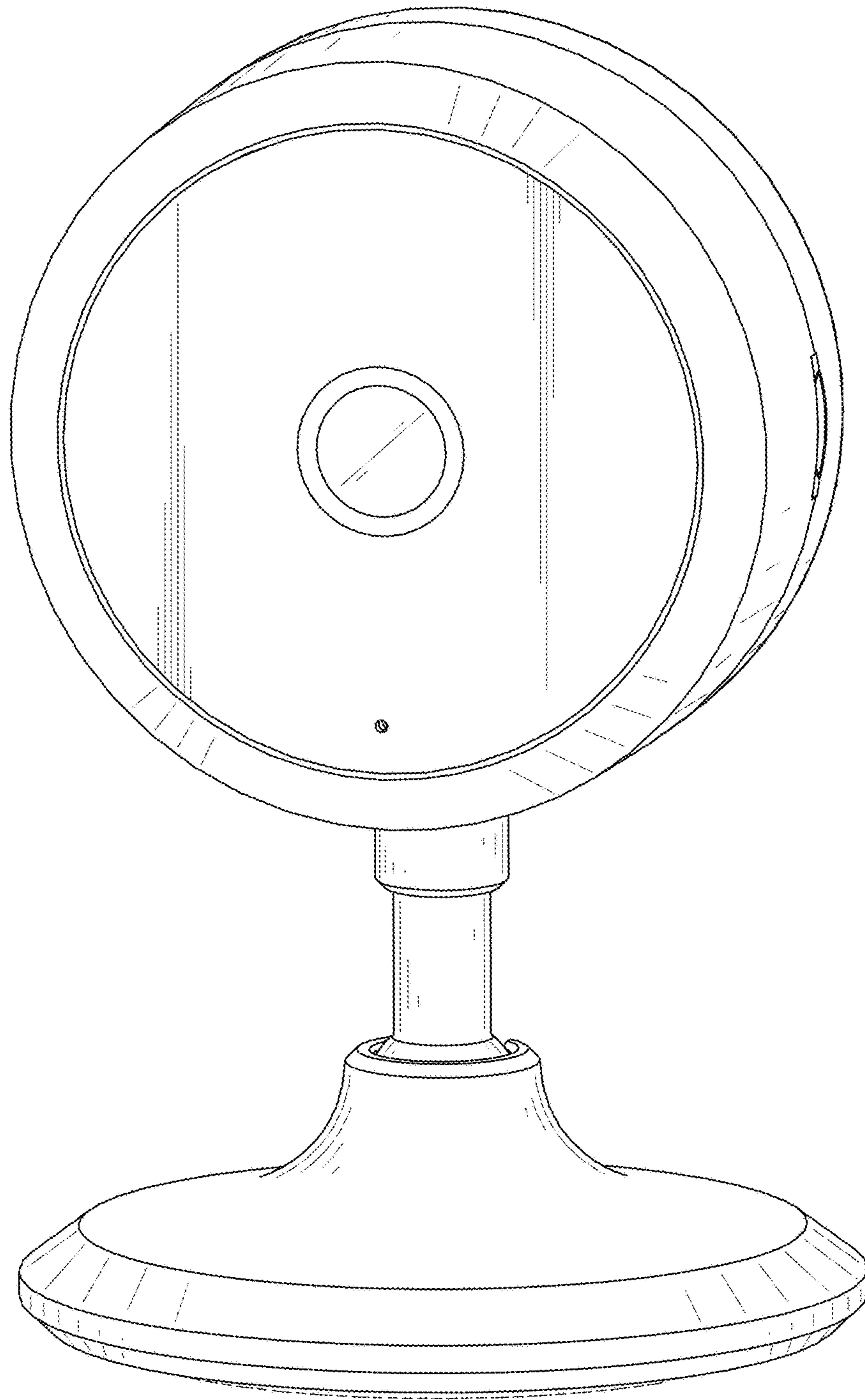


FIG. 1

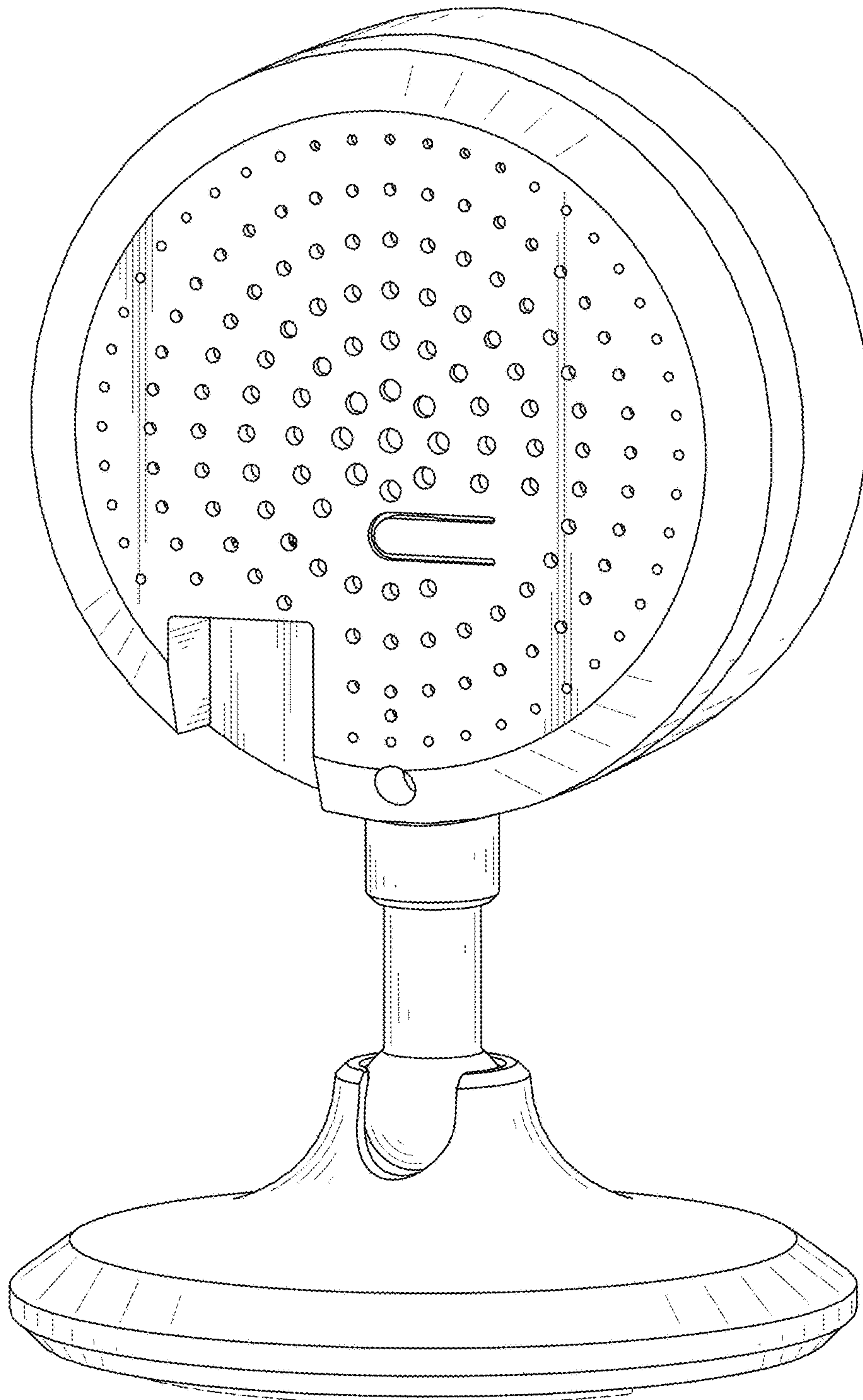


FIG. 2



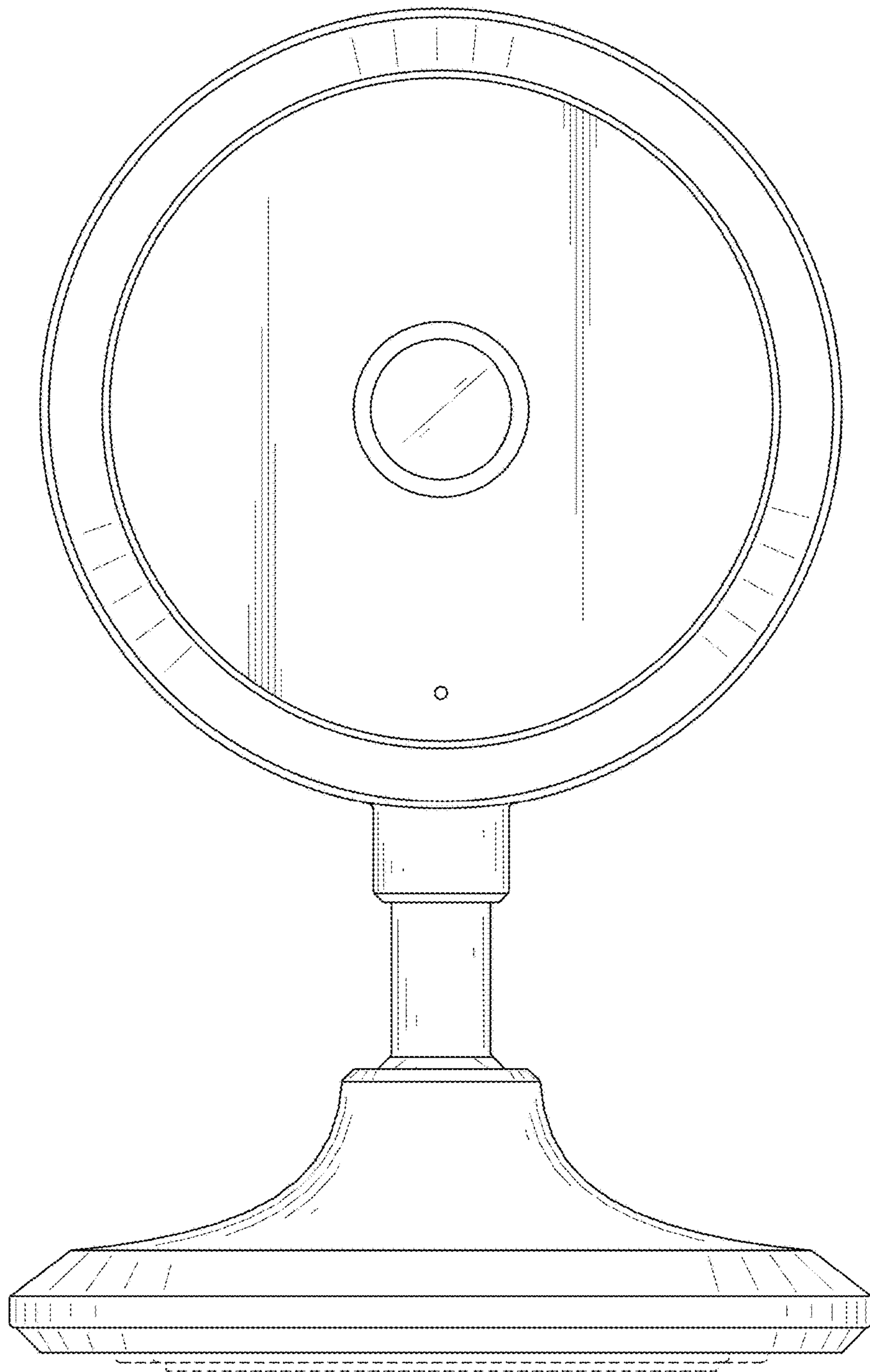


FIG. 3

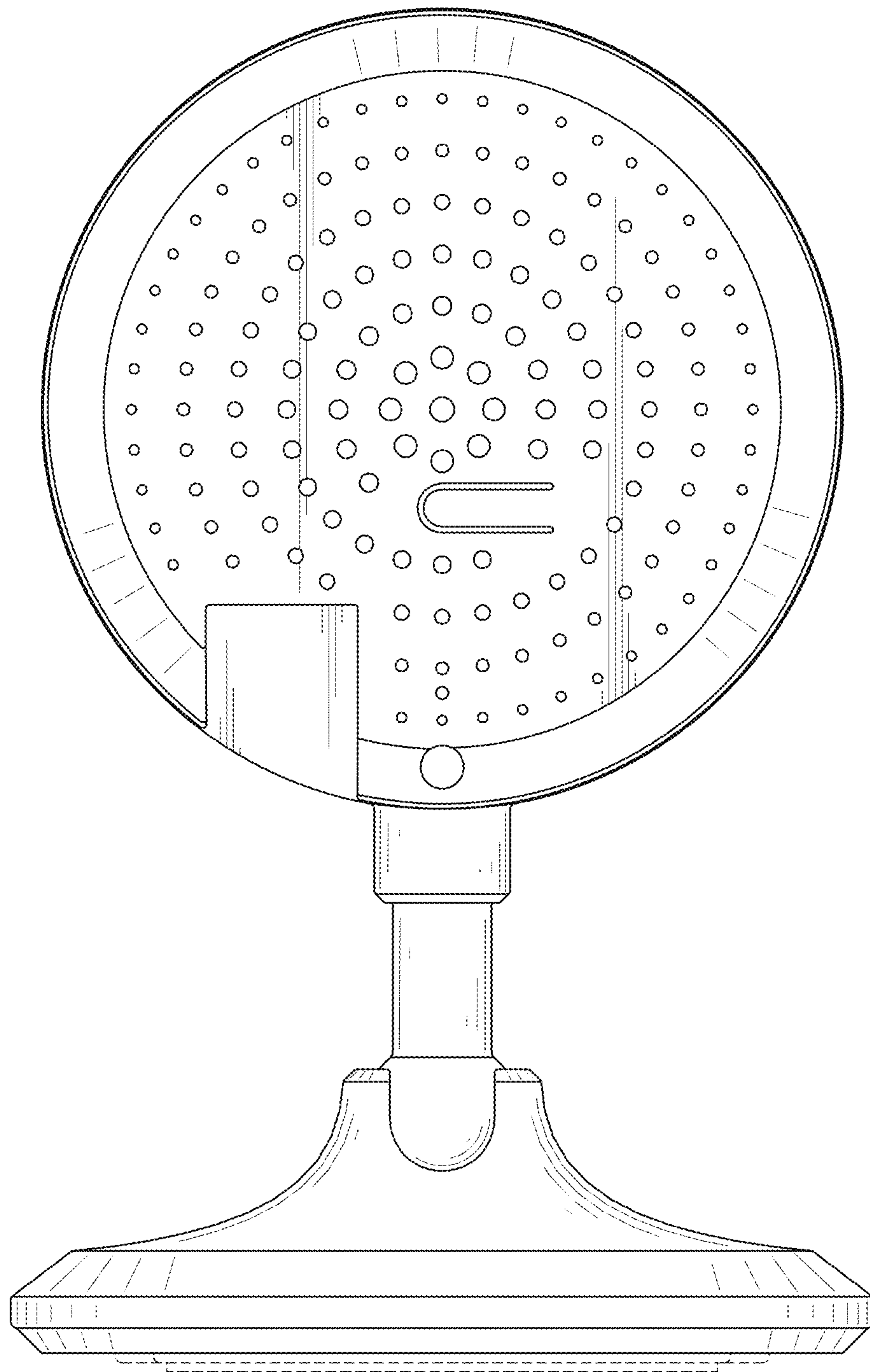


FIG. 4

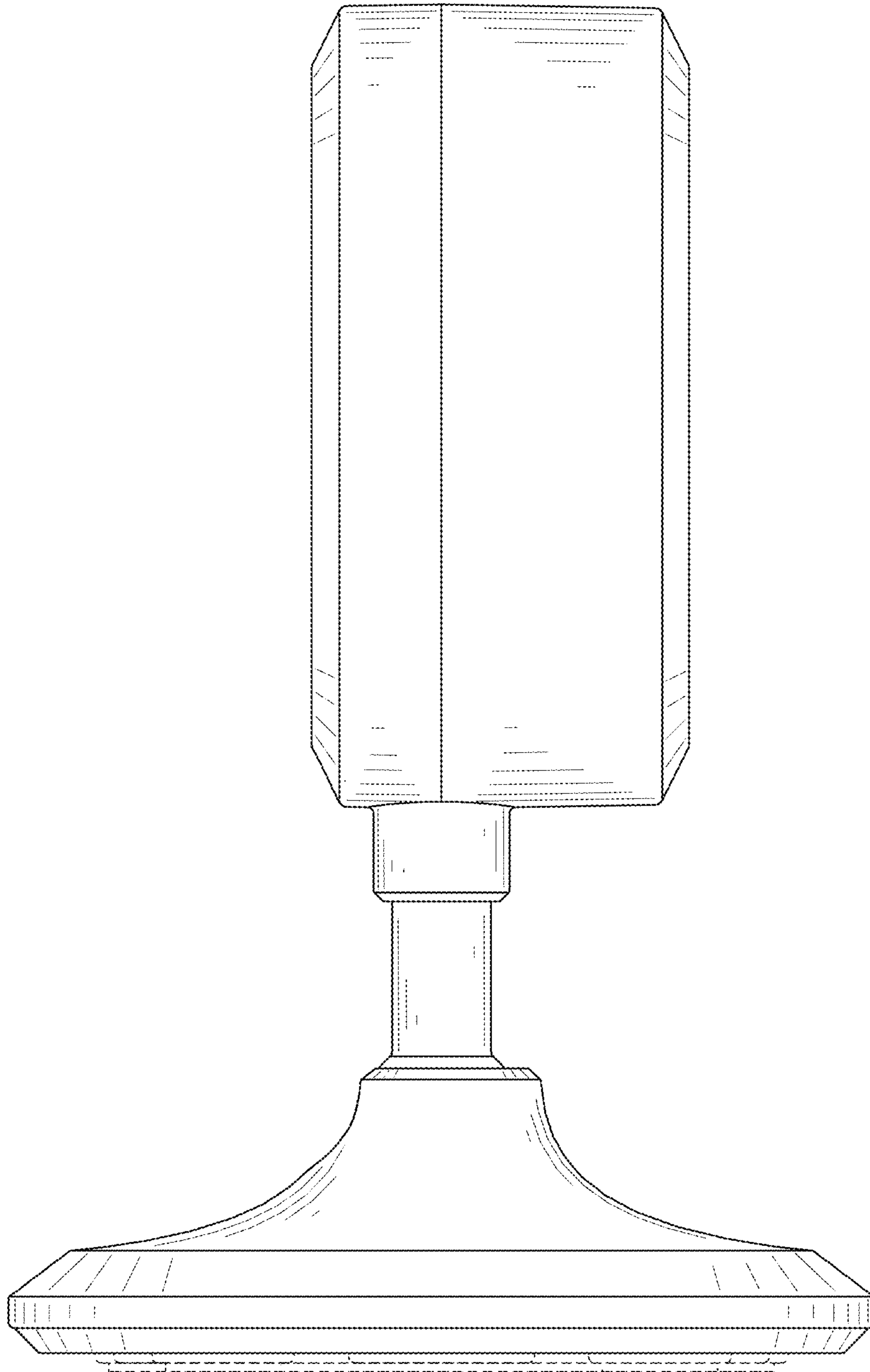


FIG. 5

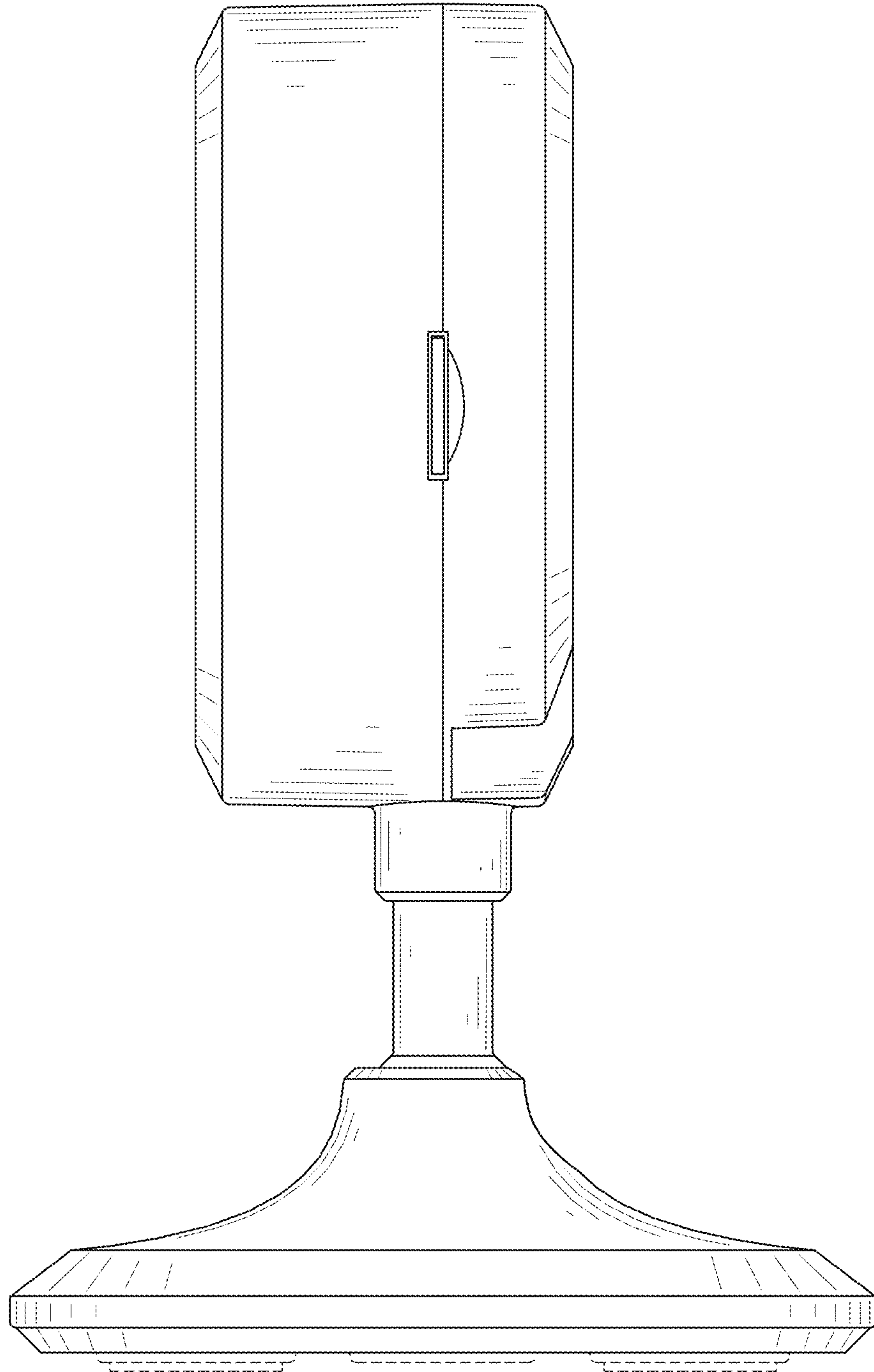


FIG. 6

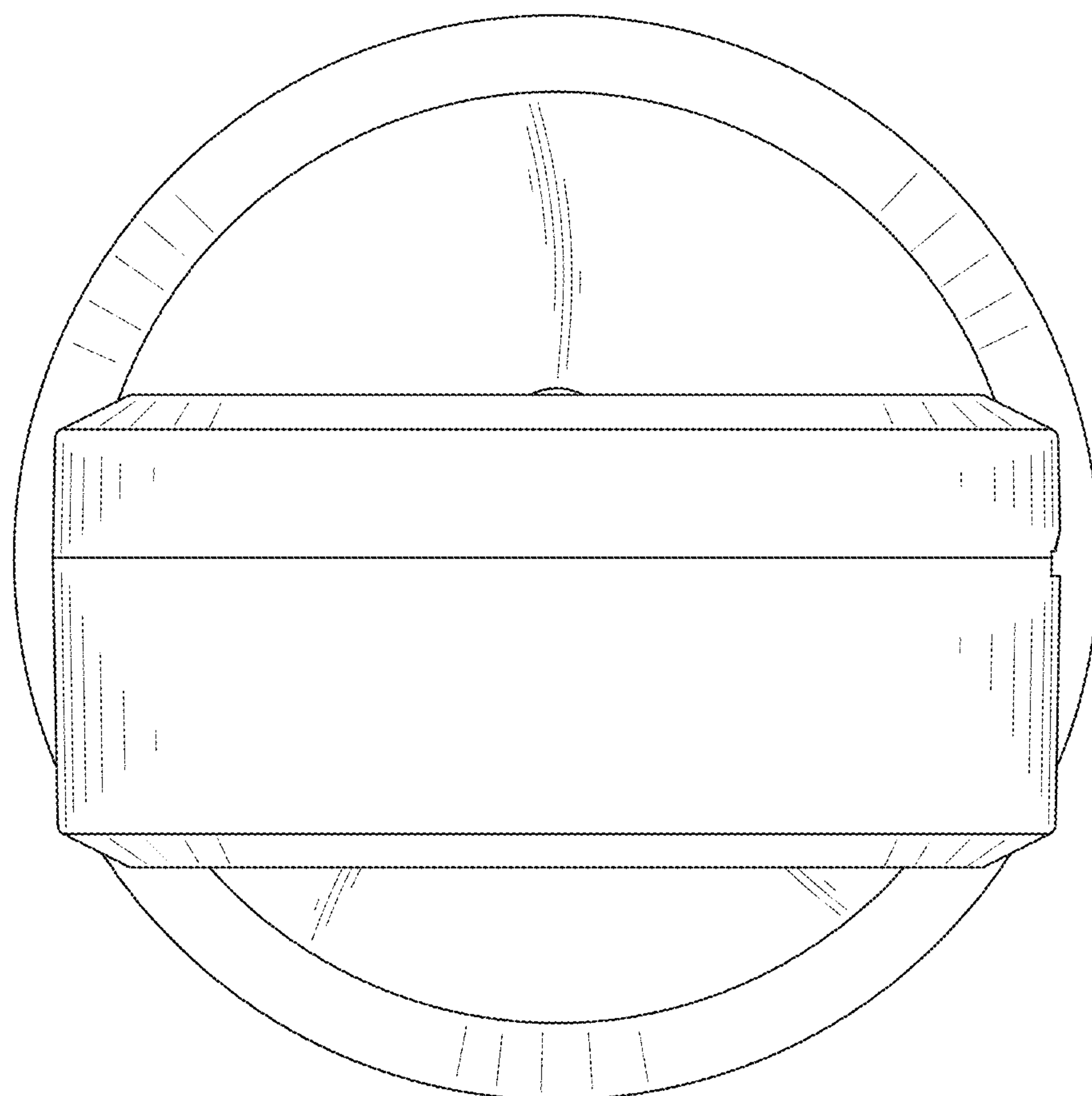


FIG. 7



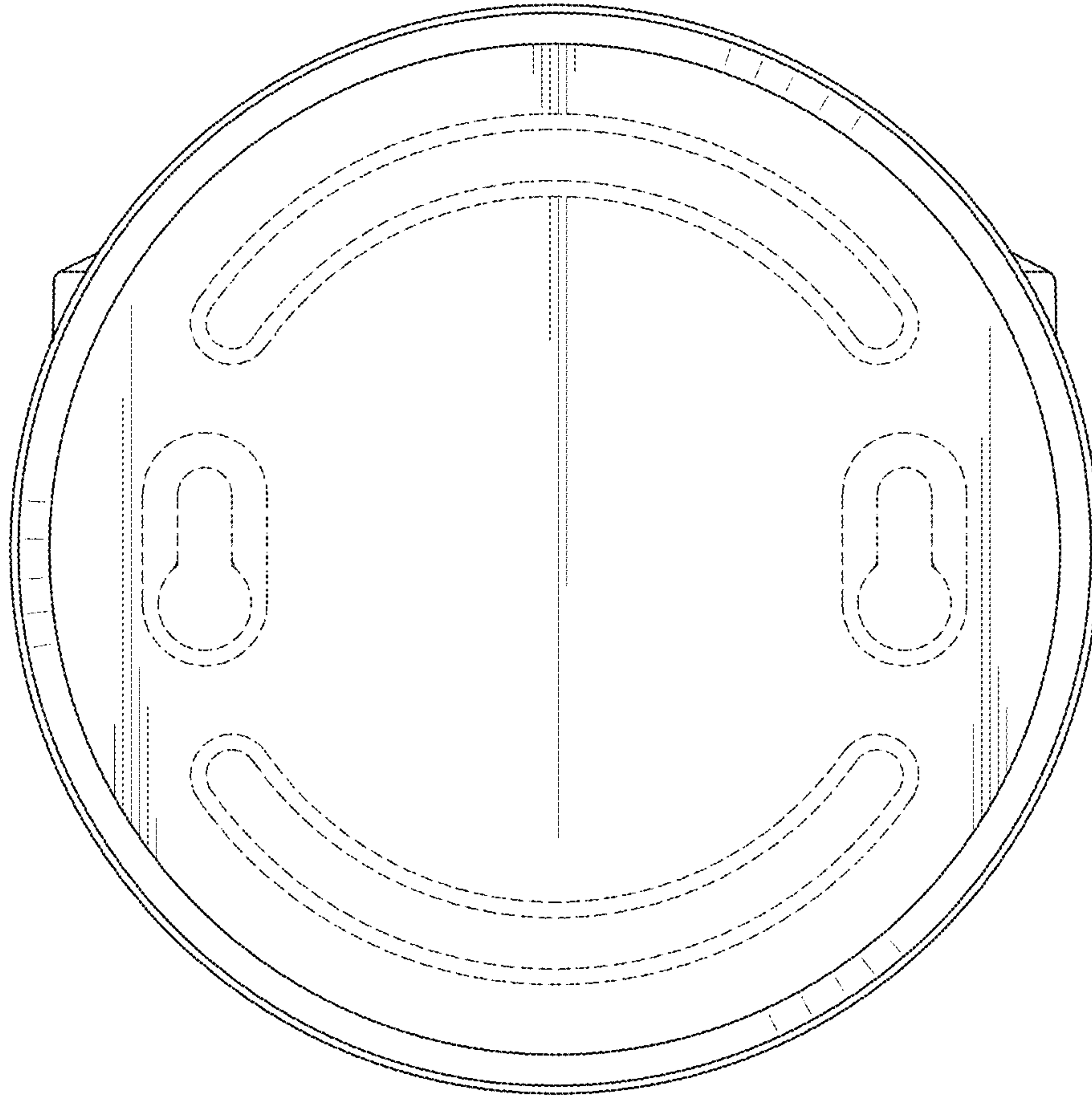


FIG. 8