



US00D828425S

(12) **United States Design Patent** (10) **Patent No.:** **US D828,425 S**
Piekarski et al. (45) **Date of Patent:** **** Sep. 11, 2018**

(54) **CAMERA**

(71) Applicant: **C & A Marketing, Inc.**, Edison, NJ (US)

(72) Inventors: **Chayim Piekarski**, Brooklyn, NY (US); **Avraham Yeshayah Rosskamm**, Chestnut Ridge, NY (US); **Benjamin Goldberger**, Brooklyn, NY (US); **Victoria Slaker**, San Francisco, CA (US); **Nicolas Lenotte**, San Francisco, CA (US)

(73) Assignee: **C & A Marketing, Inc.**, Edison, NJ (US)

(**) Term: **15 Years**

(21) Appl. No.: **29/589,827**

(22) Filed: **Jan. 4, 2017**

(51) **LOC (11) Cl.** **16-01**

(52) **U.S. Cl.**
USPC **D16/202**

(58) **Field of Classification Search**
USPC D16/200, 202–206, 218, 219, 242;
348/143, 148, 151, 373–376; 396/419,
396/427, 535, 539–541
CPC G03B 17/02; G03B 19/04; G03B 17/56;
G03B 17/04; G03B 15/03; H04N 5/2251;
H04N 5/2252; H04N 5/2253; H04N
5/2254; H04N 7/181; H04N 7/183; H04N
7/18; G08B 13/1963; G08B 13/19619;
G08B 13/19632; F16M 11/04; F16M
13/00

See application file for complete search history.

(56) **References Cited**

U.S. PATENT DOCUMENTS

D575,316 S * 8/2008 Liu D16/202
D624,108 S * 9/2010 Wang D16/219

D678,929 S * 3/2013 Hancock D16/202
D721,754 S * 1/2015 Chen D16/202
D729,296 S * 5/2015 Shelton D16/202
D733,781 S * 7/2015 Chen D16/202
D740,871 S * 10/2015 Moon D16/203
D748,709 S * 2/2016 Jeong D16/202
D754,233 S * 4/2016 Du D16/211
D784,434 S * 4/2017 Benedetti D16/202
9,631,767 B2 * 4/2017 Kilgore F16M 11/2064
D785,693 S * 5/2017 Kim D16/202
D798,360 S * 9/2017 Jeong D16/203

FOREIGN PATENT DOCUMENTS

TW D143616 11/2011

* cited by examiner

Primary Examiner — Philip S Hyder

Assistant Examiner — Ramzi S Almatrahi

(74) *Attorney, Agent, or Firm* — Weiss & Arons LLP; Avi Goldenberg, Esq.

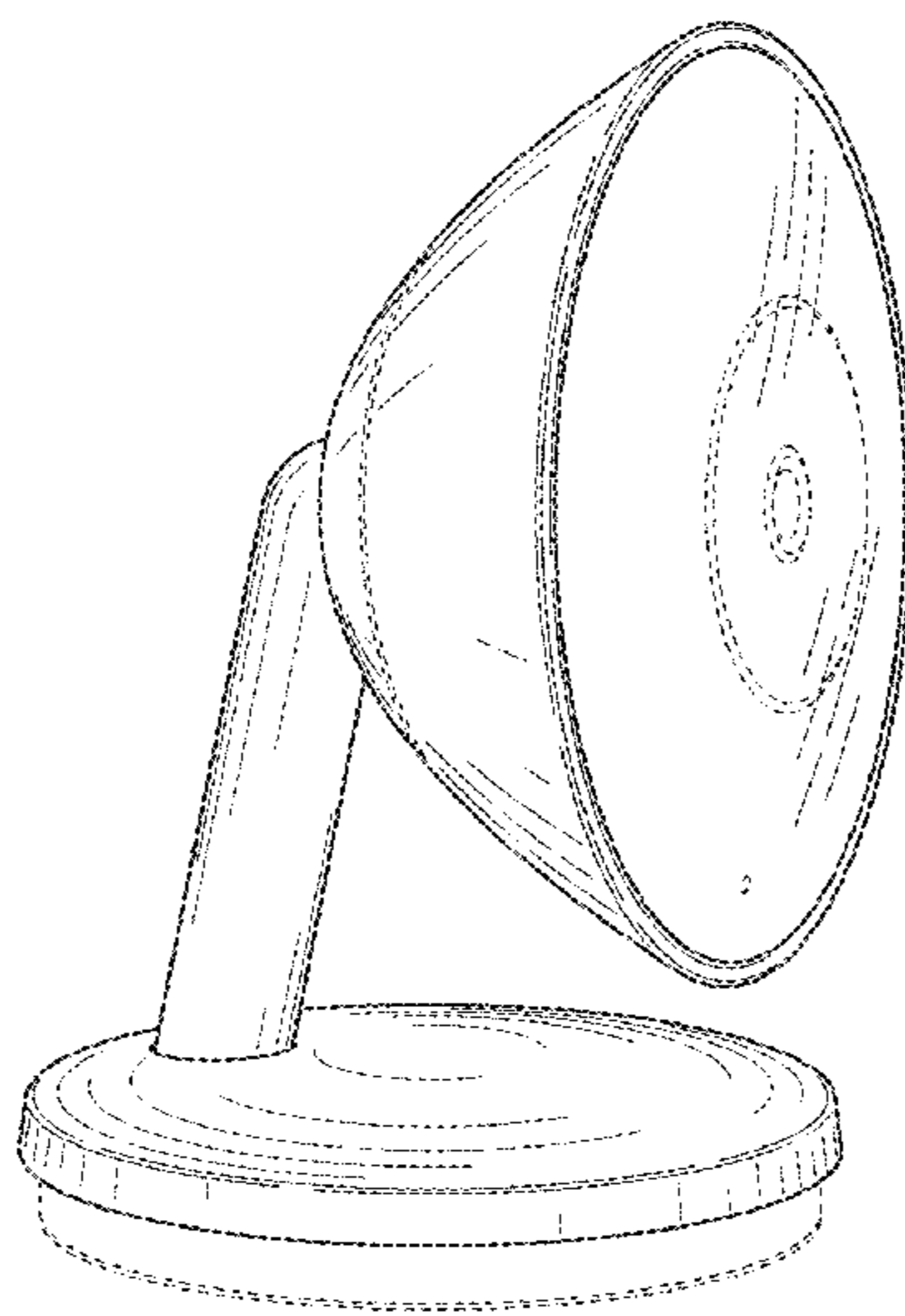
(57) **CLAIM**

We claim the ornamental design for a camera, as shown and described.

DESCRIPTION

FIG. 1 is a front, left perspective view of a camera showing our new design;
FIG. 2 is a front elevational view thereof;
FIG. 3 is a rear elevational view thereof;
FIG. 4 is a right side elevational view thereof;
FIG. 5 is a left side elevational view thereof;
FIG. 6 is a top plan view thereof;
FIG. 7 is a bottom plan view thereof; and,
FIG. 8 is a bottom, front perspective view thereof.
The broken lines depict portions of the camera in which the design is embodied that form no part of the claimed design.

1 Claim, 5 Drawing Sheets



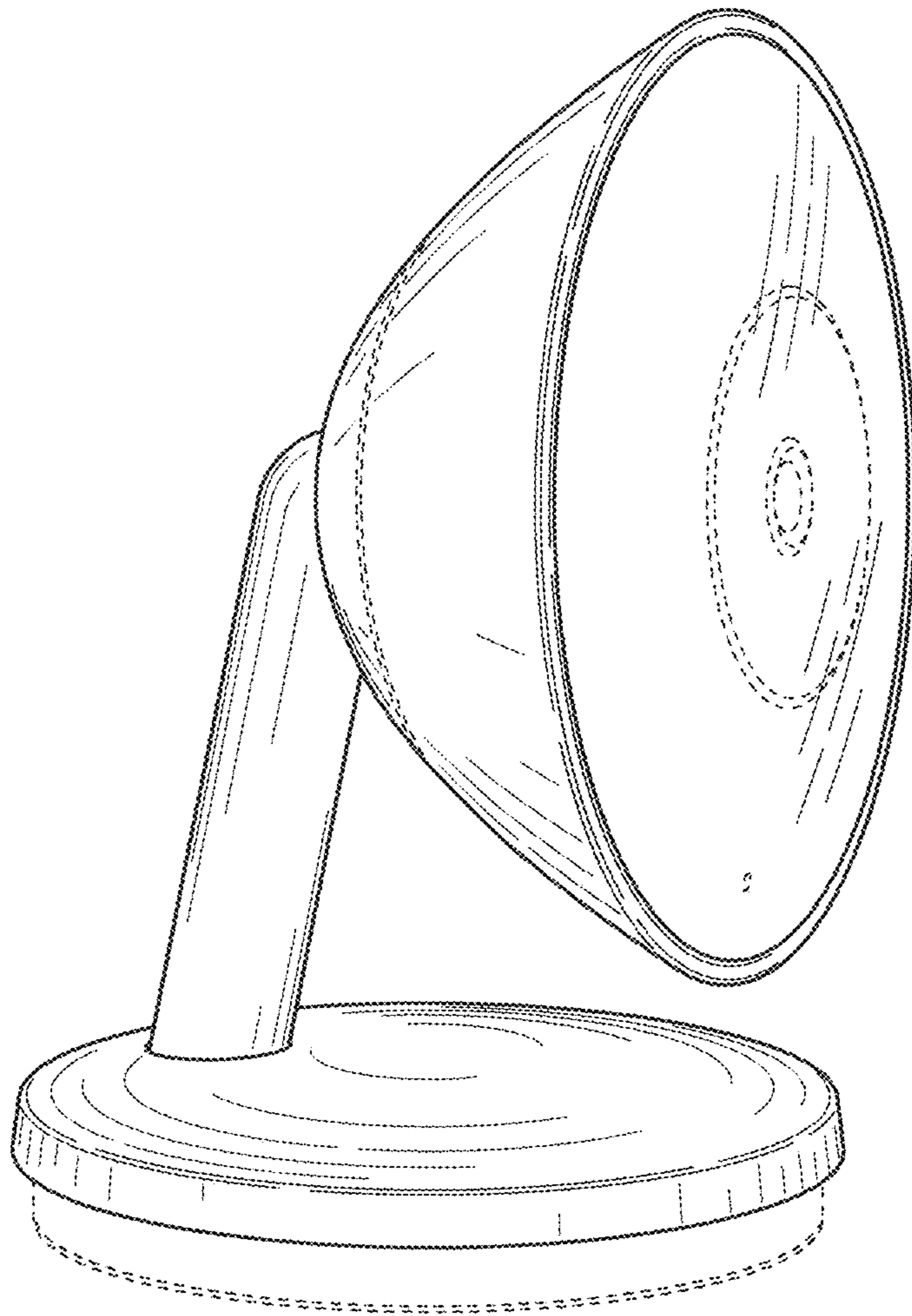


FIG. 1

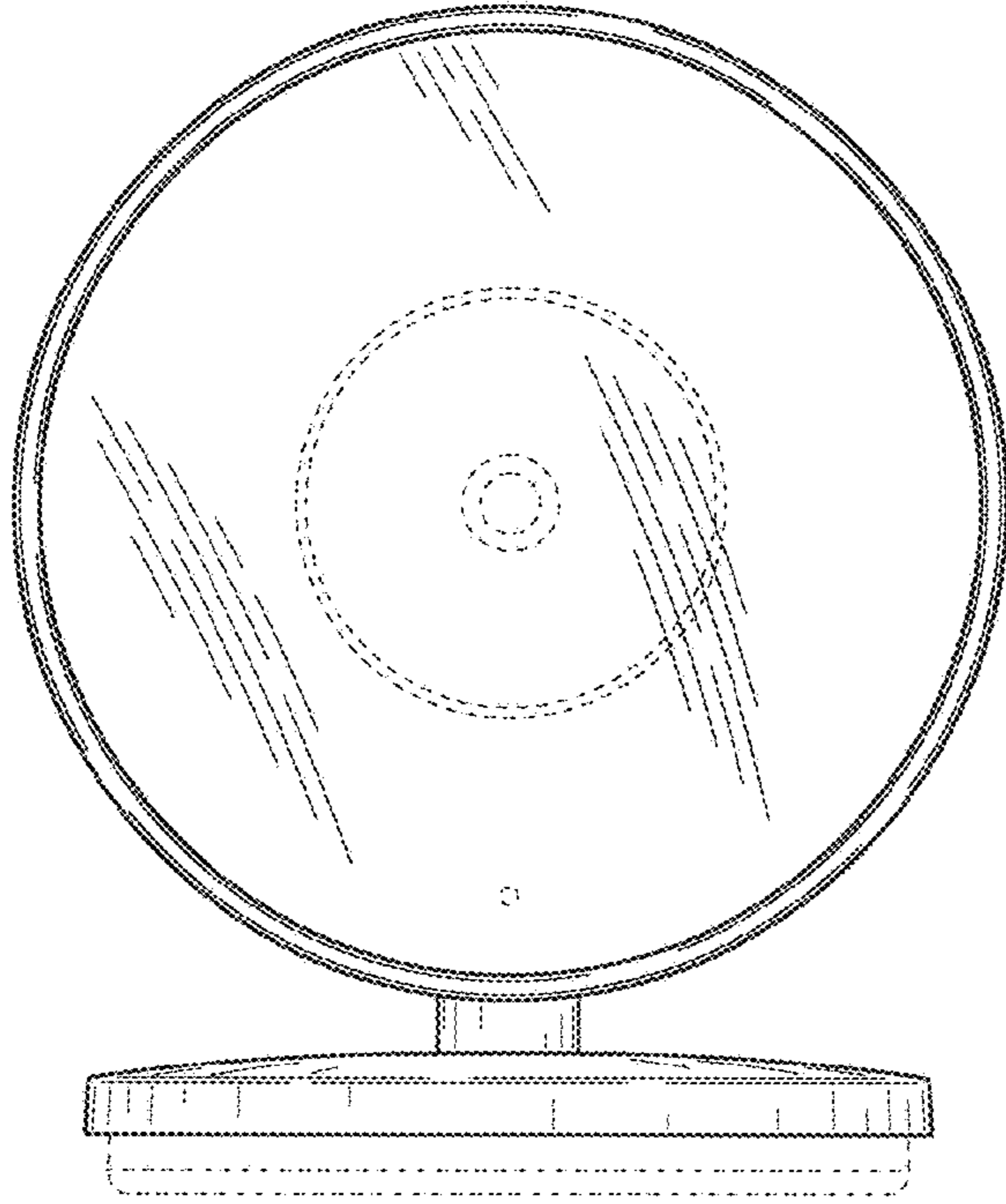


FIG. 2

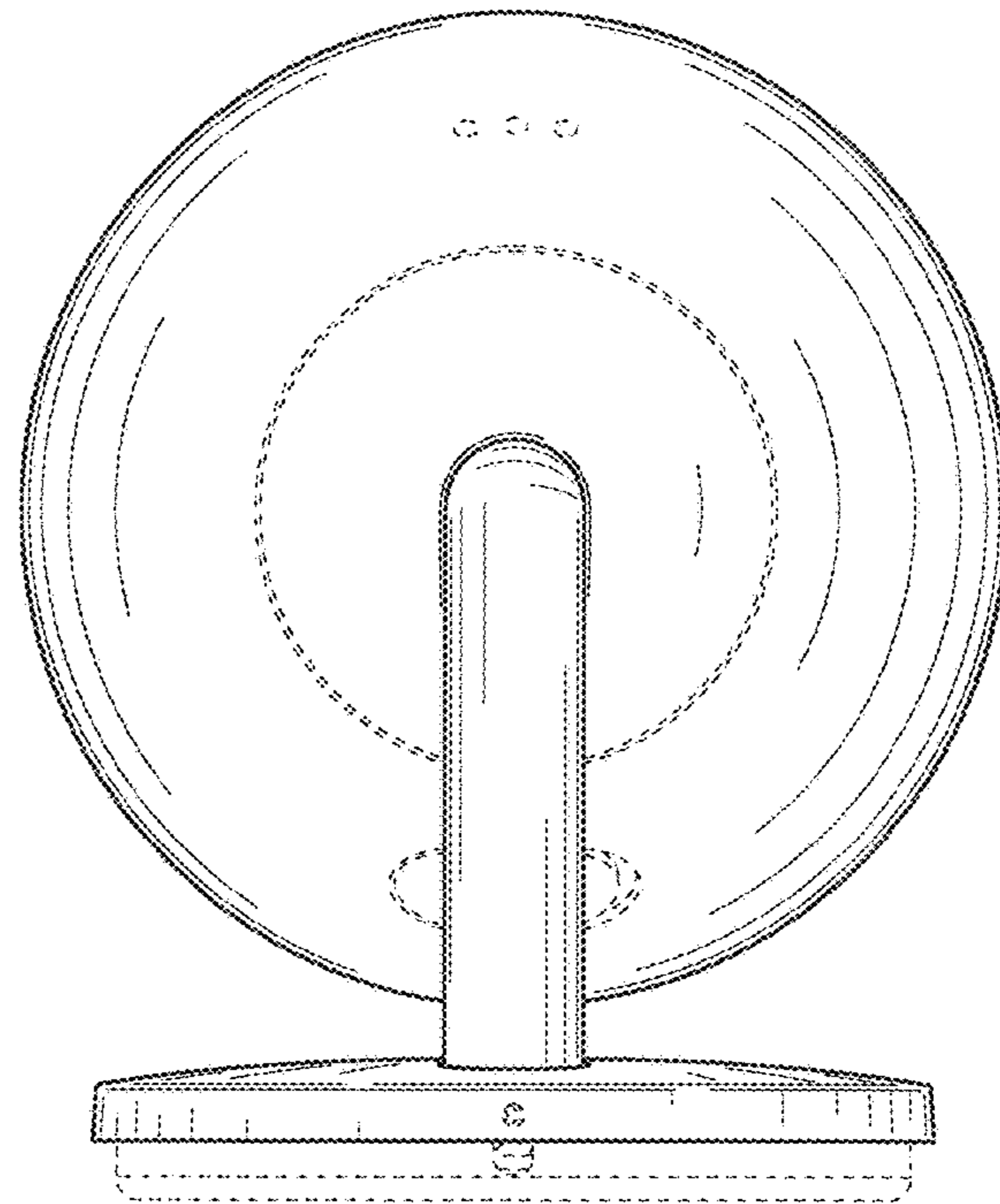


FIG. 3

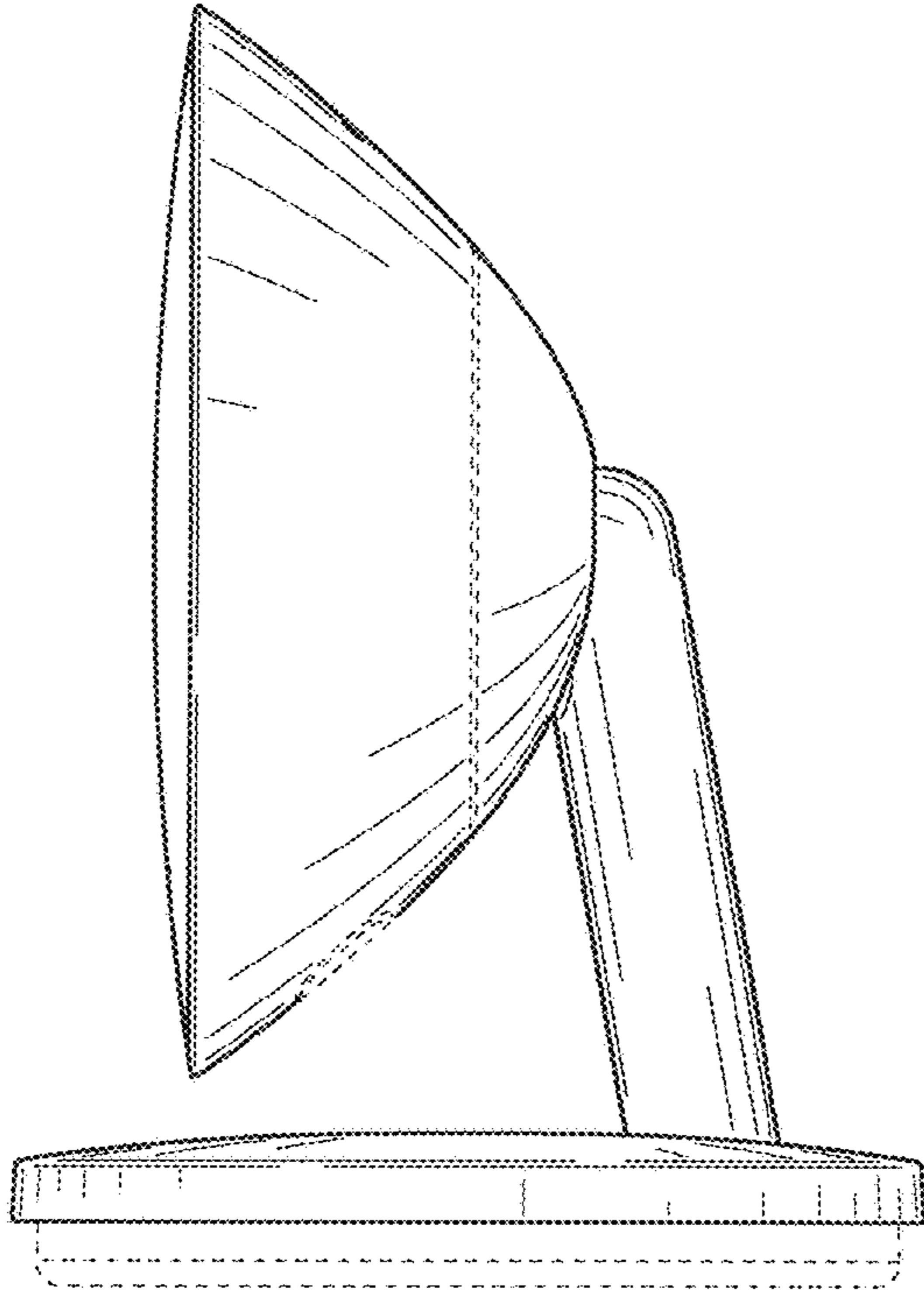


FIG. 4

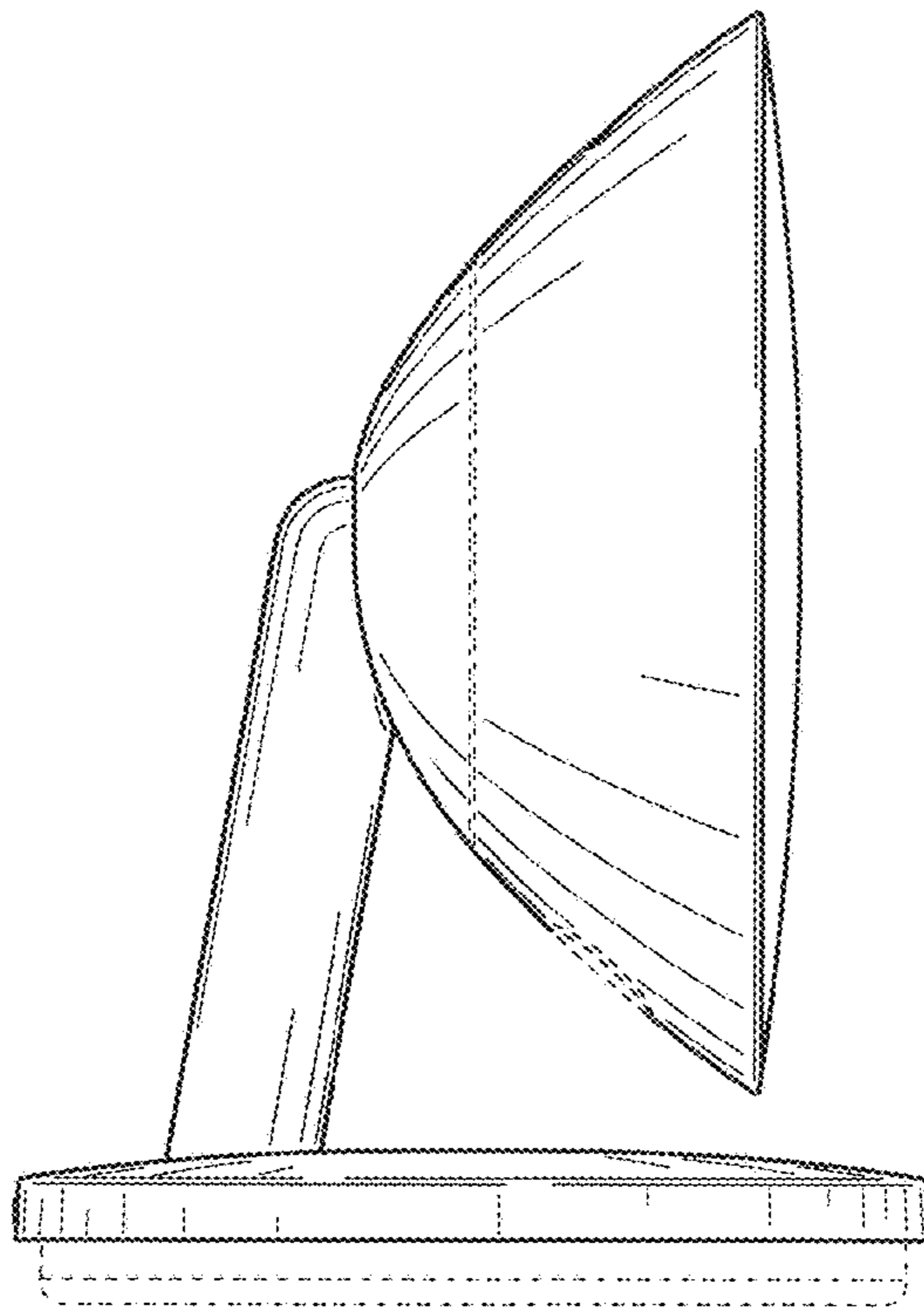


FIG. 5

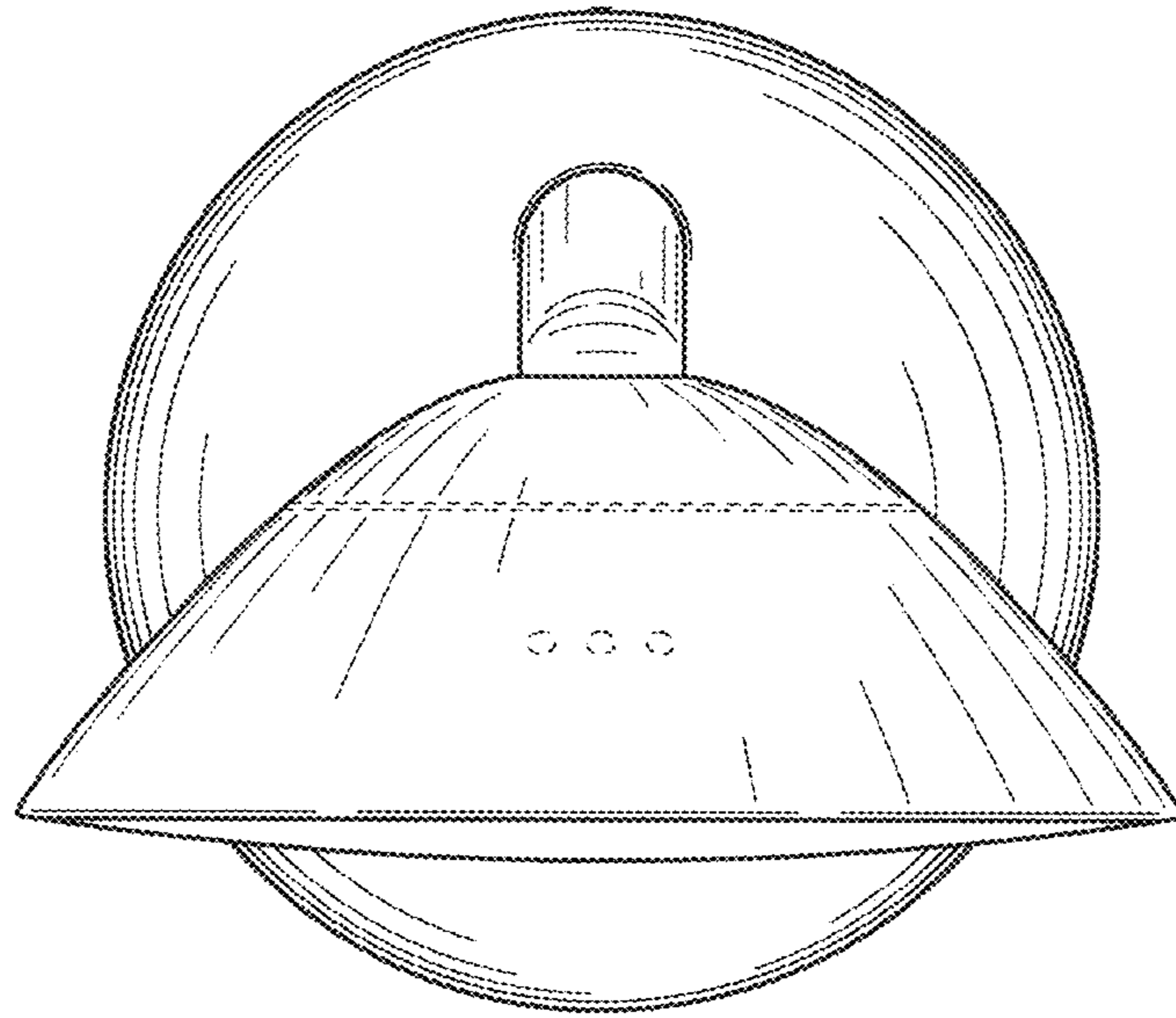


FIG. 6

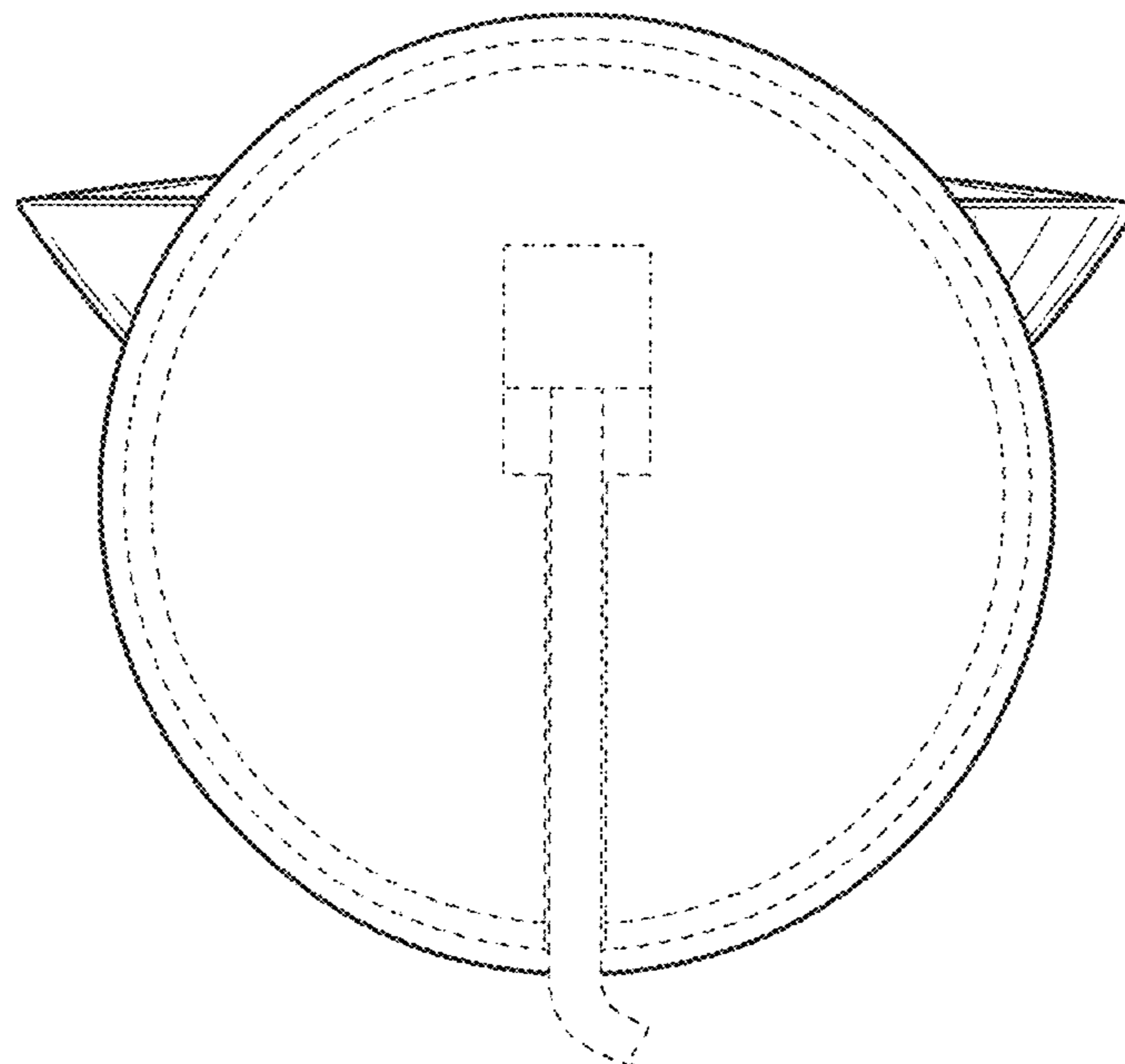


FIG. 7

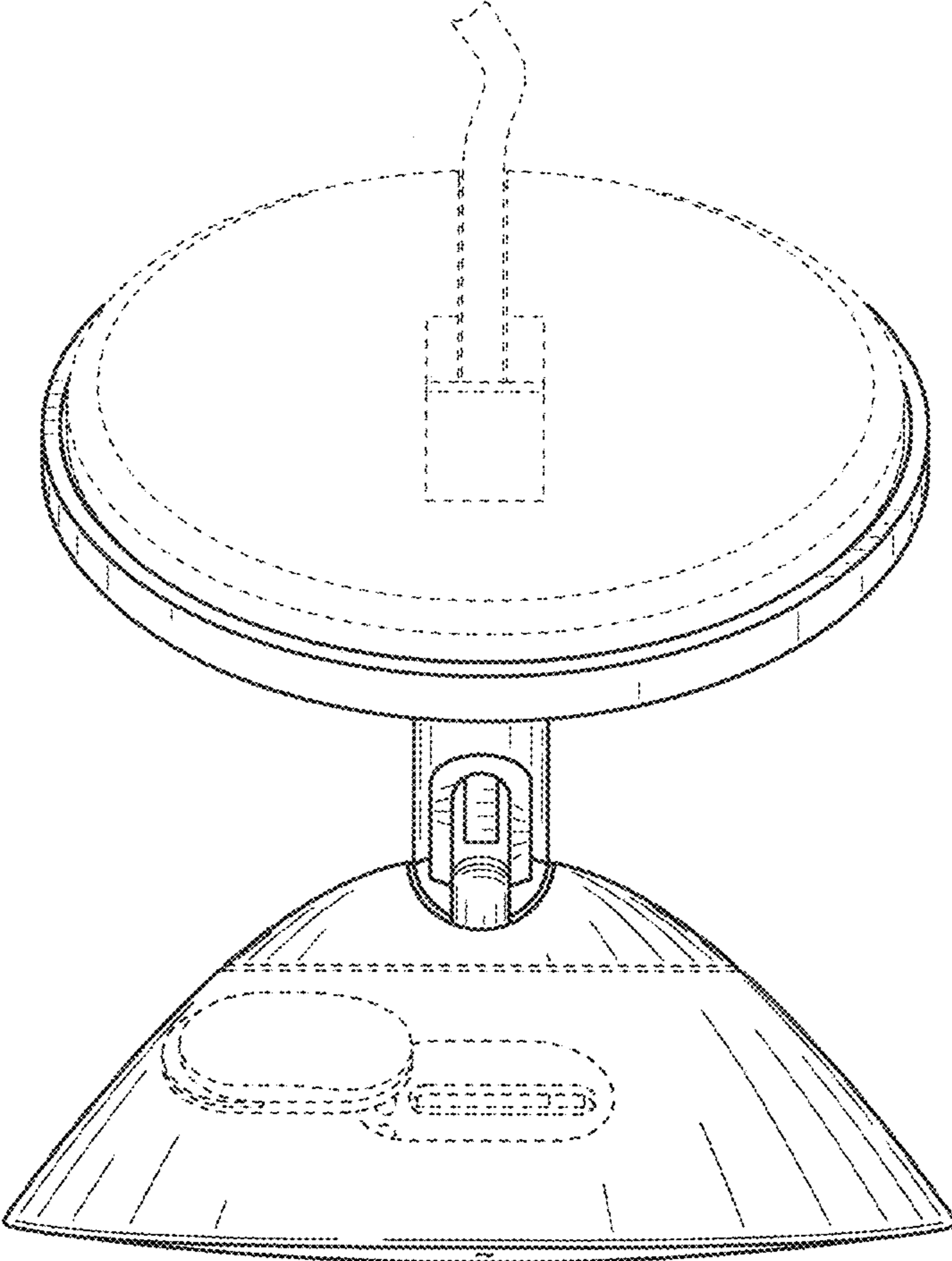


FIG. 8