



US00D828424S

(12) **United States Design Patent**
Schwamkrug

(10) **Patent No.:** **US D828,424 S**

(45) **Date of Patent:** **** Sep. 11, 2018**

(54) **WATCH WINDER**

(71) Applicant: **Porsche Lizenz- und
Handelsgesellschaft mbH & Co. KG,**
Ludwigsburg (DE)

(72) Inventor: **Christian Schwamkrug,** Zell am See
(AT)

(73) Assignee: **Porsche Lizenz-und
Handelsgesellschaft mbH & Co. KG,**
Ludwigsburg (DE)

(**) Term: **15 Years**

(21) Appl. No.: **29/568,133**

(22) Filed: **Jun. 15, 2016**

(30) **Foreign Application Priority Data**

Dec. 18, 2015 (EM) 001443402

(51) **LOC (11) Cl.** **15-99**

(52) **U.S. Cl.**
USPC **D15/199**

(58) **Field of Classification Search**
USPC D15/148, 149, 199; D10/1, 28, 30, 128;
475/178, 221, 331, 335, 337, 344, 347
CPC . F16H 1/46; F16H 1/28; F16H 1/2818; F16H
1/2836
See application file for complete search history.

(56) **References Cited**

U.S. PATENT DOCUMENTS

- 1,350,822 A * 8/1920 McNitt F16H 1/46
475/331
- 1,400,566 A * 12/1921 Moorhouse F16H 1/46
475/221
- 1,425,430 A * 8/1922 Wikander F16H 1/2836
475/335
- D67,948 S * 8/1925 Day D15/199

- 2,658,395 A * 11/1953 Coates B60N 2/2252
475/158
- 4,191,073 A * 3/1980 Ritter, Jr. B62D 55/13
475/337
- 4,365,525 A * 12/1982 Imazaike G11B 15/67571
192/20
- 4,923,477 A * 5/1990 Horvath A61F 2/68
623/57
- 4,988,329 A * 1/1991 Lammers B60K 17/046
475/337

(Continued)

OTHER PUBLICATIONS

“SJX—Introducing the Lumisidus Planetary Gear Watch Winder.”
Found online Mar. 28, 2018 at watchbysjx.conn. Page dated Sep. 22,
2015. Retrieved from URL: <http://watchesbysjx.com/2015/09/introducing-the-lumisidus-planetary-gear-watch-winder.html> (Year:
2015).*

(Continued)

Primary Examiner — Garth Rademaker

Assistant Examiner — Katelin G Kloberg

(74) *Attorney, Agent, or Firm* — RatnerPrestia

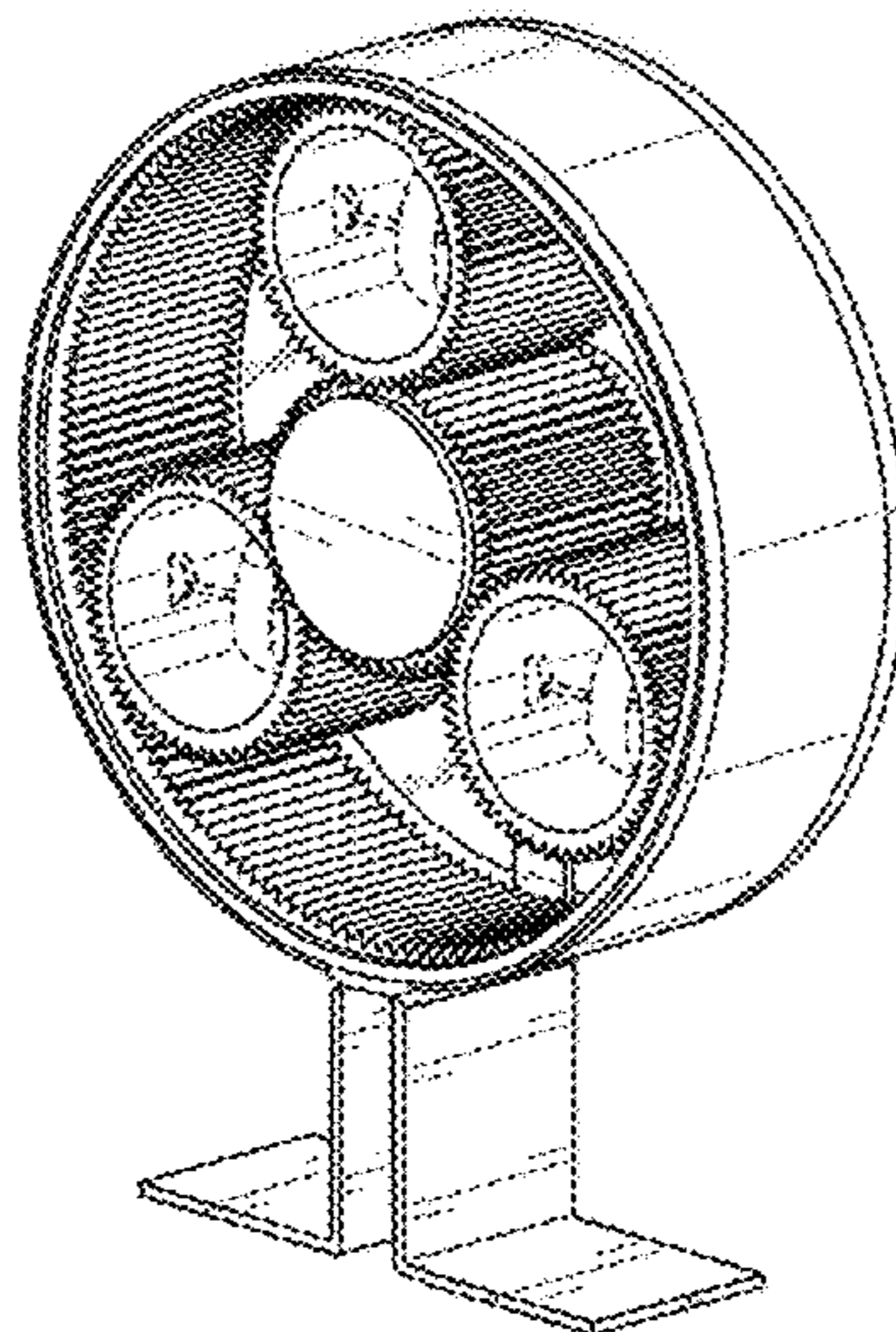
(57) **CLAIM**

The ornamental design for a watch winder, as shown and
described.

DESCRIPTION

FIG. 1 is a front perspective view of a watch winder;
FIG. 2 is a front elevation view thereof;
FIG. 3 is a rear elevation view thereof;
FIG. 4 is a left side elevation view thereof, with the right side
being a mirror image thereof;
FIG. 5 is a top plan view thereof; and,
FIG. 6 is a bottom plan view thereof.
The broken line showing of the watch winder is for the
purpose of illustrating portions of the watch winder and
forms no part of the claimed design.

1 Claim, 6 Drawing Sheets



(56)

References Cited

U.S. PATENT DOCUMENTS

5,951,427 A * 9/1999 Schroeder F16H 1/32
475/178
D513,569 S * 1/2006 Au D6/661.2
D543,055 S * 5/2007 Au D3/298
D607,028 S * 12/2009 Subilia D15/199
D627,615 S * 11/2010 Kushner D8/42
8,663,049 B1 * 3/2014 Yao F16H 1/32
475/170
9,062,756 B2 * 6/2015 Hagedorn F16H 57/082
D797,828 S * 9/2017 Nakamura D15/149
2002/0151405 A1 * 10/2002 Futterer F16H 1/2863
475/331
2005/0020401 A1 * 1/2005 Ando F16H 1/28
475/344
2007/0184934 A1 * 8/2007 Zhang F16H 1/2863
475/347
2007/0234835 A1 * 10/2007 Owan F16H 1/46
74/412 R
2009/0221396 A1 * 9/2009 Berg F16H 1/28
475/331
2013/0237368 A1 * 9/2013 Zhang F16H 1/46
475/337
2015/0071578 A1 * 3/2015 Frank F16C 17/12
384/276

2016/0076614 A1 * 3/2016 Narula F16D 55/2255
188/162
2016/0208905 A1 * 7/2016 Obayashi F16H 57/0427
2016/0311483 A1 * 10/2016 Laronde B62H 1/06
2017/0016525 A1 * 1/2017 Shaw F16H 57/0006
2017/0029064 A1 * 2/2017 Novy B62M 1/14
2017/0067539 A1 * 3/2017 Matsumoto F16H 1/28
2017/0114919 A1 * 4/2017 Ohashi F16K 31/045
2018/0023675 A1 * 1/2018 Heiraas F16H 33/06
2018/0045278 A1 * 2/2018 Hansson F16H 1/2836

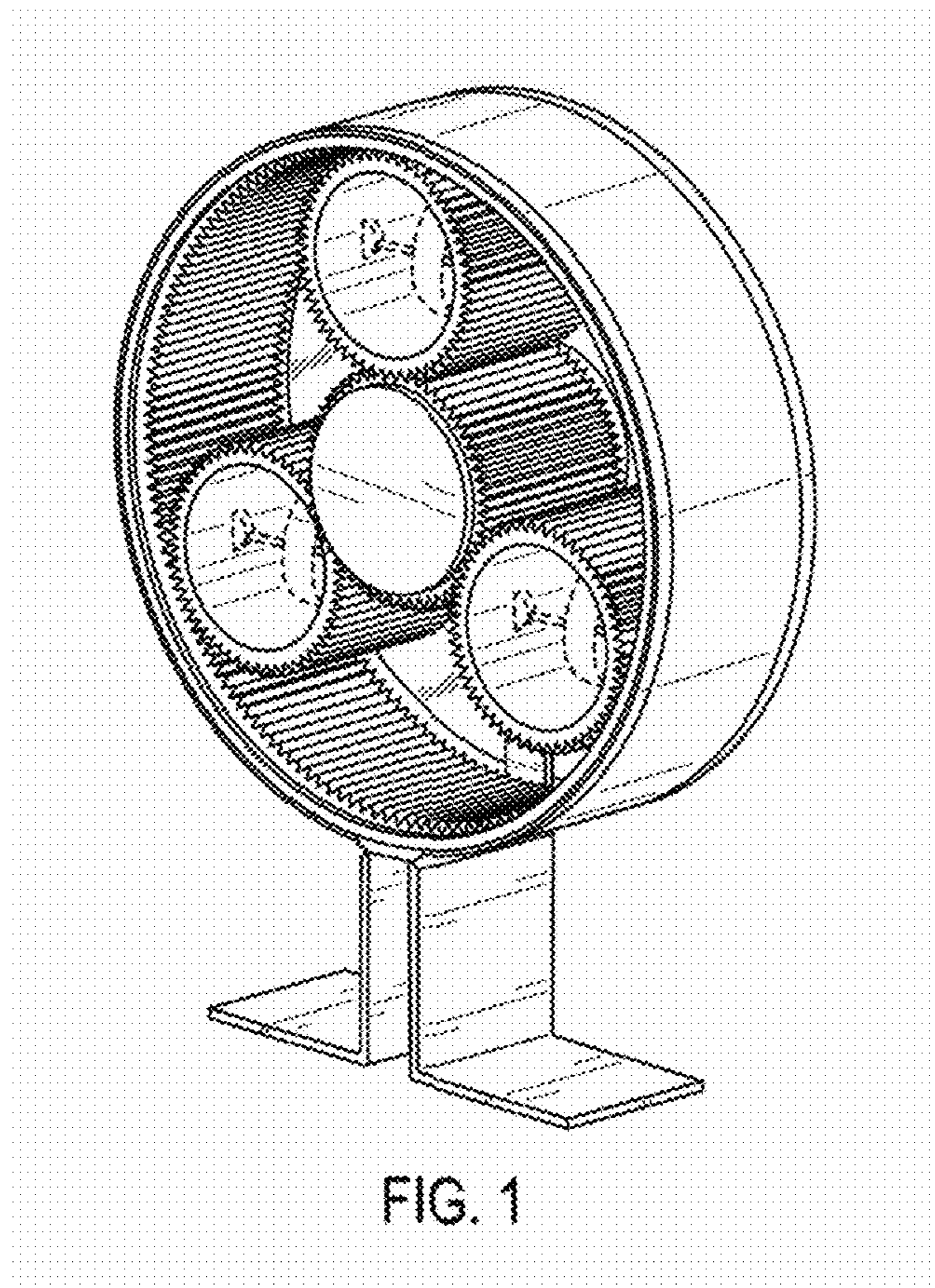
OTHER PUBLICATIONS

“Instructables—Planetary Gear Wine Stand.” Found online Mar. 28, 2018 at www.instructables.com. Page dated May 14, 2014. Retrieved from URL: <http://www.instructables.com/id/Planetary-gear-wine-stand/> (Year: 2014).*

“YouTube—Planetary Gears.” Found online Mar. 28, 2018 at www.youtube.com. Page dated Feb. 6, 2013. Retrieved from URL: https://www.youtube.com/watch?v=_i7O4nwK6Ks (Year: 2013).*

“Exclusive Watch Winder Brands.” Found online Mar. 28, 2018 at luxurysafes.me. Page dated Nov. 26, 2014. Retrieved from URL: <http://luxurysafes.me/blog/luxury-safes/exclusive-watch-winder-brands/> (Year: 2014).*

* cited by examiner



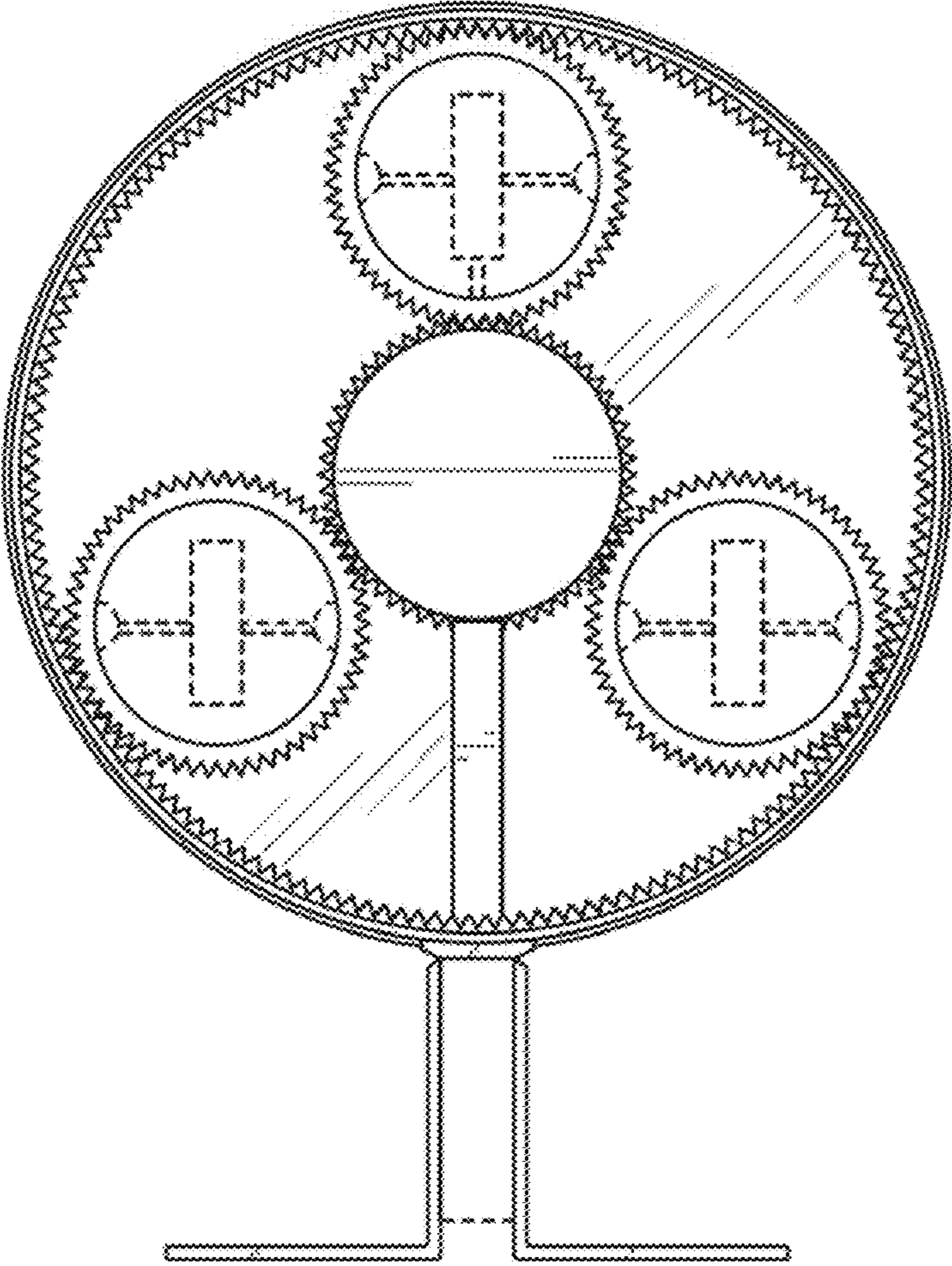


FIG. 2

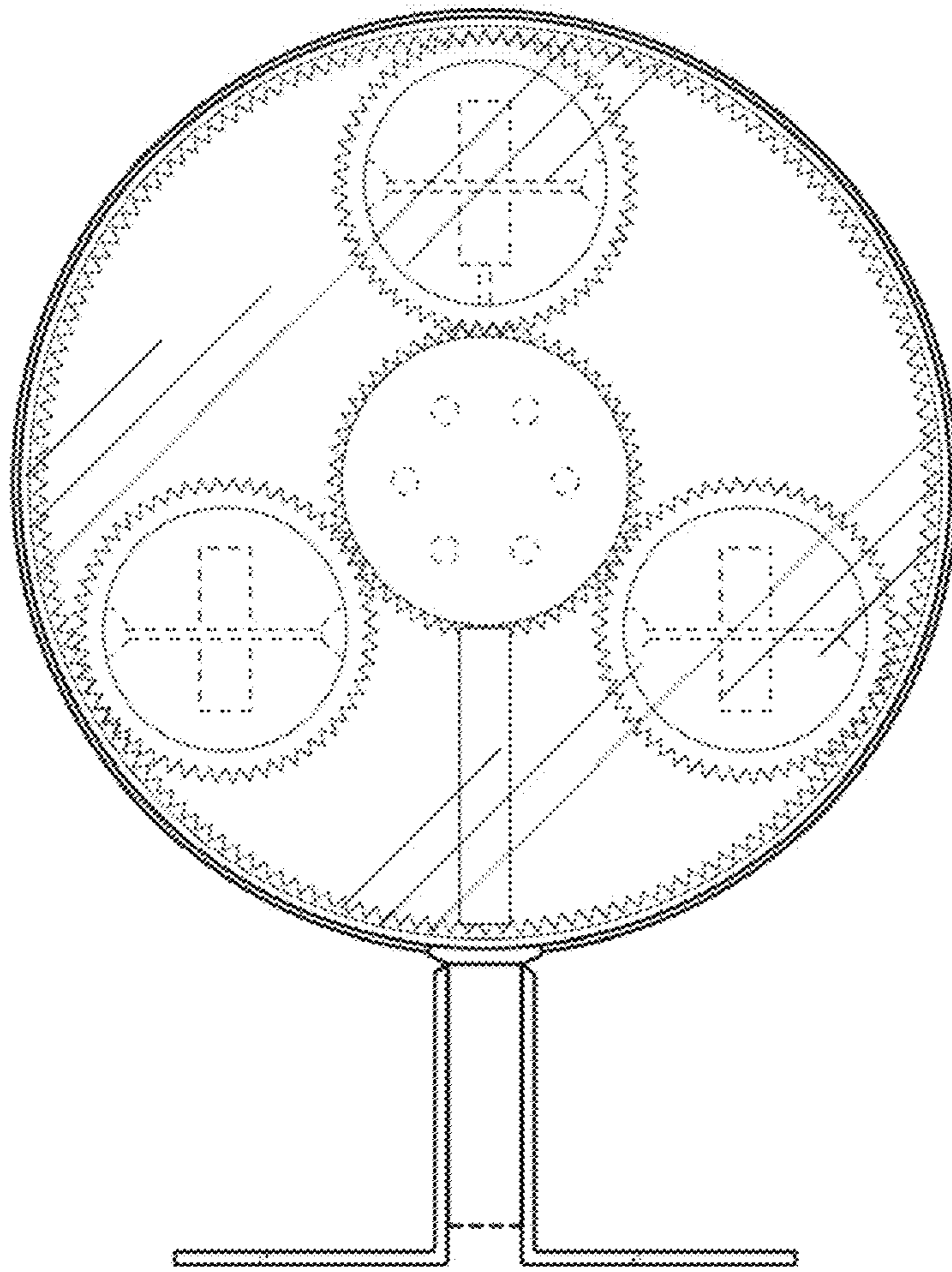


FIG. 3

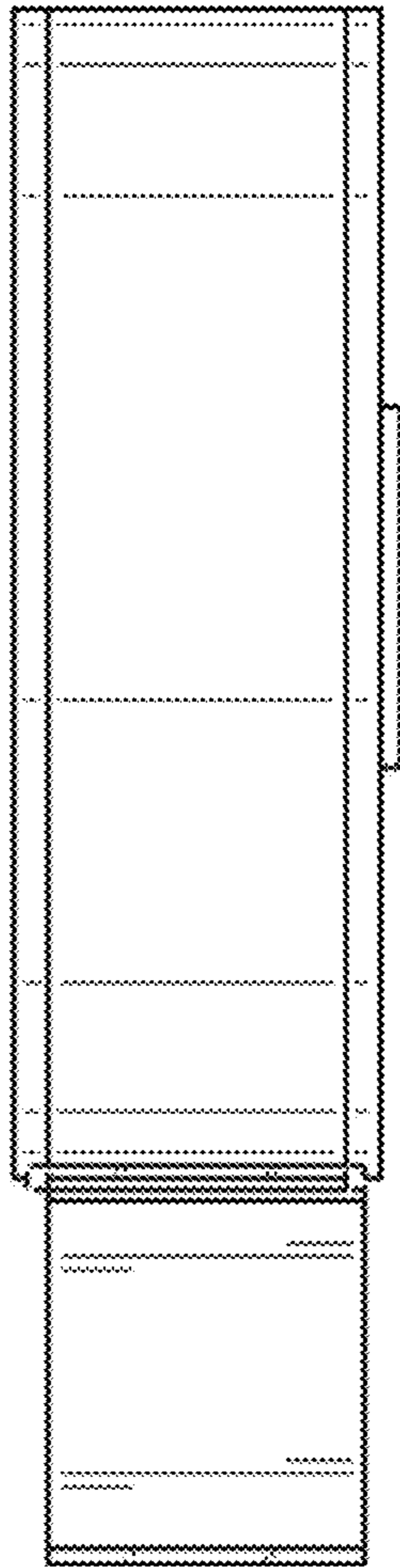


FIG. 4

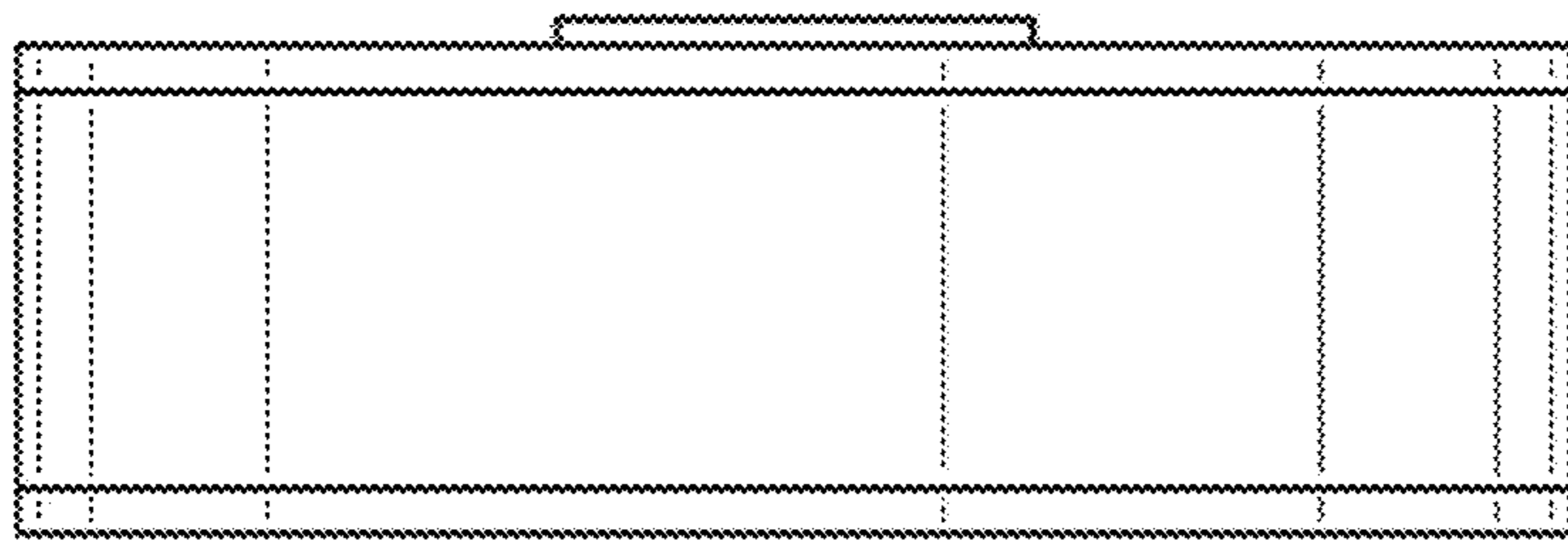


FIG. 5

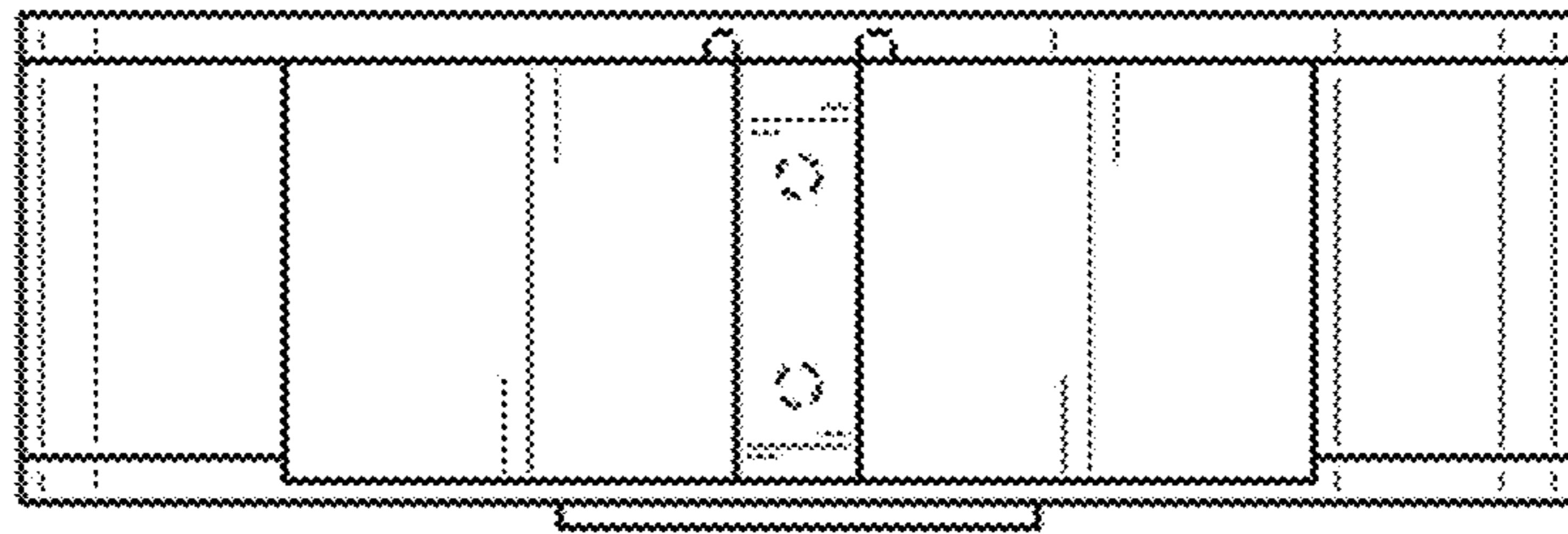


FIG. 6