



US00D828423S

(12) **United States Design Patent**  
**Jørgensen**

(10) **Patent No.:** **US D828,423 S**

(45) **Date of Patent:** **\*\* Sep. 11, 2018**

(54) **LINEAR ACTUATOR ACCESSORY**

(71) Applicant: **LINAK A/S**, Nordborg (DK)

(72) Inventor: **Rolf Jørgensen**, Middelfart (DK)

(73) Assignee: **Linak A/S**, Nordborg (DK)

(\*\*) Term: **15 Years**

(21) Appl. No.: **29/635,481**

(22) Filed: **Jan. 31, 2018**

**Related U.S. Application Data**

(62) Division of application No. 29/582,147, filed on Oct. 25, 2016, now Pat. No. Des. 816,748, which is a division of application No. 29/526,694, filed on May 12, 2015, now Pat. No. Des. 775,677.

(30) **Foreign Application Priority Data**

Nov. 12, 2014 (DK) ..... DA 2014 00110

(51) **LOC (11) Cl.** ..... **15-09**

(52) **U.S. Cl.**  
USPC ..... **D15/148**

(58) **Field of Classification Search**  
USPC ..... D13/118, 158, 162, 184; D15/1-5, 7, 9, D15/143, 148, 149, 199  
CPC ..... F16H 25/20; F16H 25/2021; F16H 2025/2065; F16H 2025/2081; F16H 2025/2087; Y10T 74/18752; Y10T 74/18056; Y10T 74/18576; Y10T 74/18688; Y10T 74/18696  
See application file for complete search history.

(56) **References Cited**

**U.S. PATENT DOCUMENTS**

D289,164 S \* 4/1987 Carr ..... D14/231  
D394,328 S \* 5/1998 Palumbo ..... D28/7

D465,797 S \* 11/2002 Landerholm ..... D15/143  
D467,950 S \* 12/2002 Christensen ..... D15/148  
D487,902 S \* 3/2004 Nielsen ..... D15/143  
D509,520 S \* 9/2005 Klinke ..... D15/143  
D524,335 S \* 7/2006 Klinke ..... D15/143  
D534,560 S \* 1/2007 Klinke ..... D15/143  
D572,281 S \* 7/2008 Wei ..... D15/143  
D623,800 S \* 9/2010 Clemons ..... D28/46  
D624,947 S \* 10/2010 Christensen ..... D15/143  
D654,871 S \* 2/2012 Parsadayan ..... D13/112  
D695,799 S \* 12/2013 Landerholm ..... D15/143  
D702,271 S \* 4/2014 Lin ..... D15/143  
D719,595 S \* 12/2014 Landerholm ..... D15/143  
D738,413 S \* 9/2015 Randlov ..... D15/143  
2008/0190225 A1 \* 8/2008 Pfister ..... B23Q 5/40  
74/89.23  
2011/0174092 A1 \* 7/2011 Butsuen ..... D60J 7/0573  
74/25  
2012/0227523 A1 \* 9/2012 Tseng ..... B23Q 1/621  
74/89.23  
2015/0068332 A1 \* 3/2015 Bakken ..... H02G 3/0406  
74/25

(Continued)

*Primary Examiner* — Patricia A Palasik

(74) *Attorney, Agent, or Firm* — Dykema Gossett PLLC

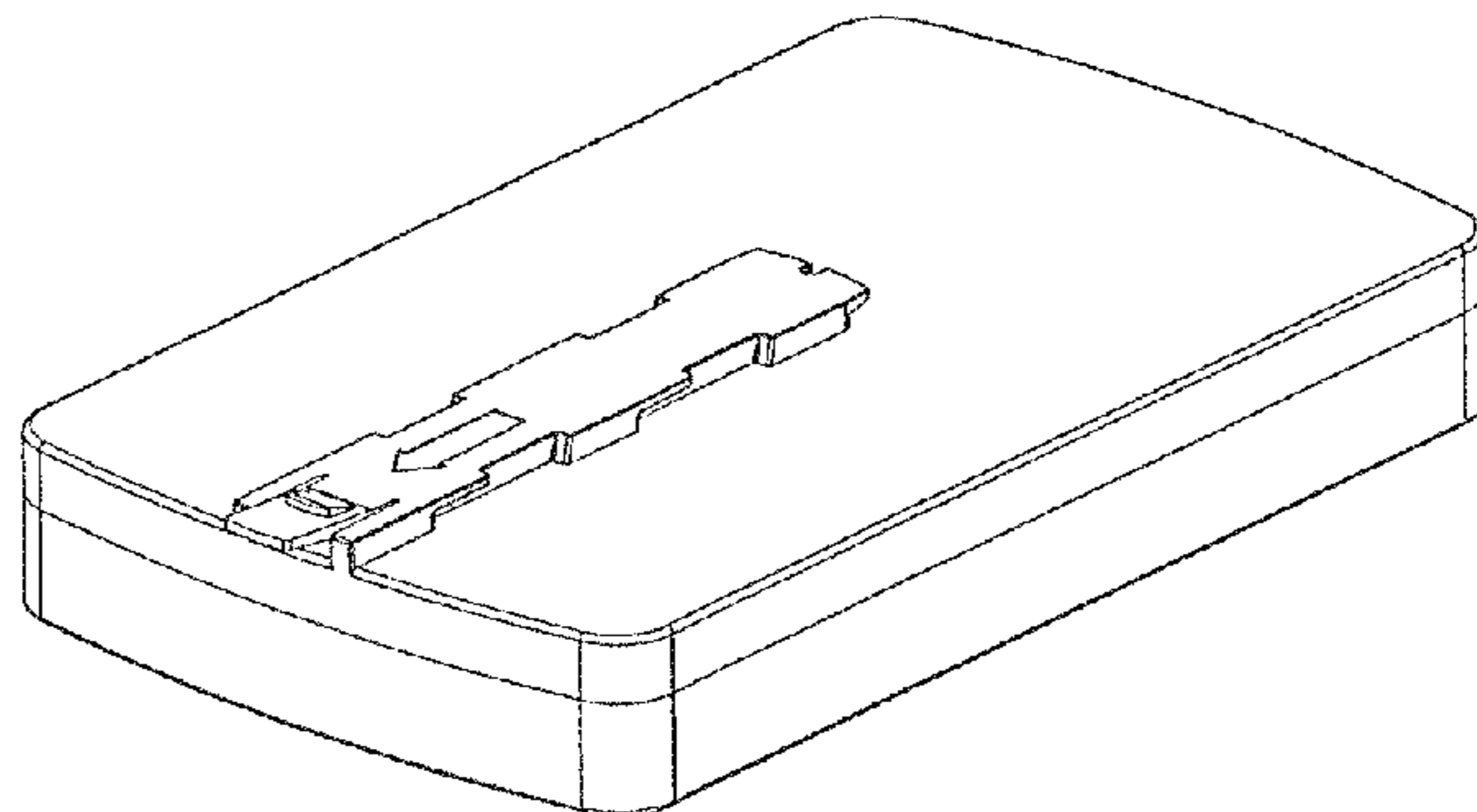
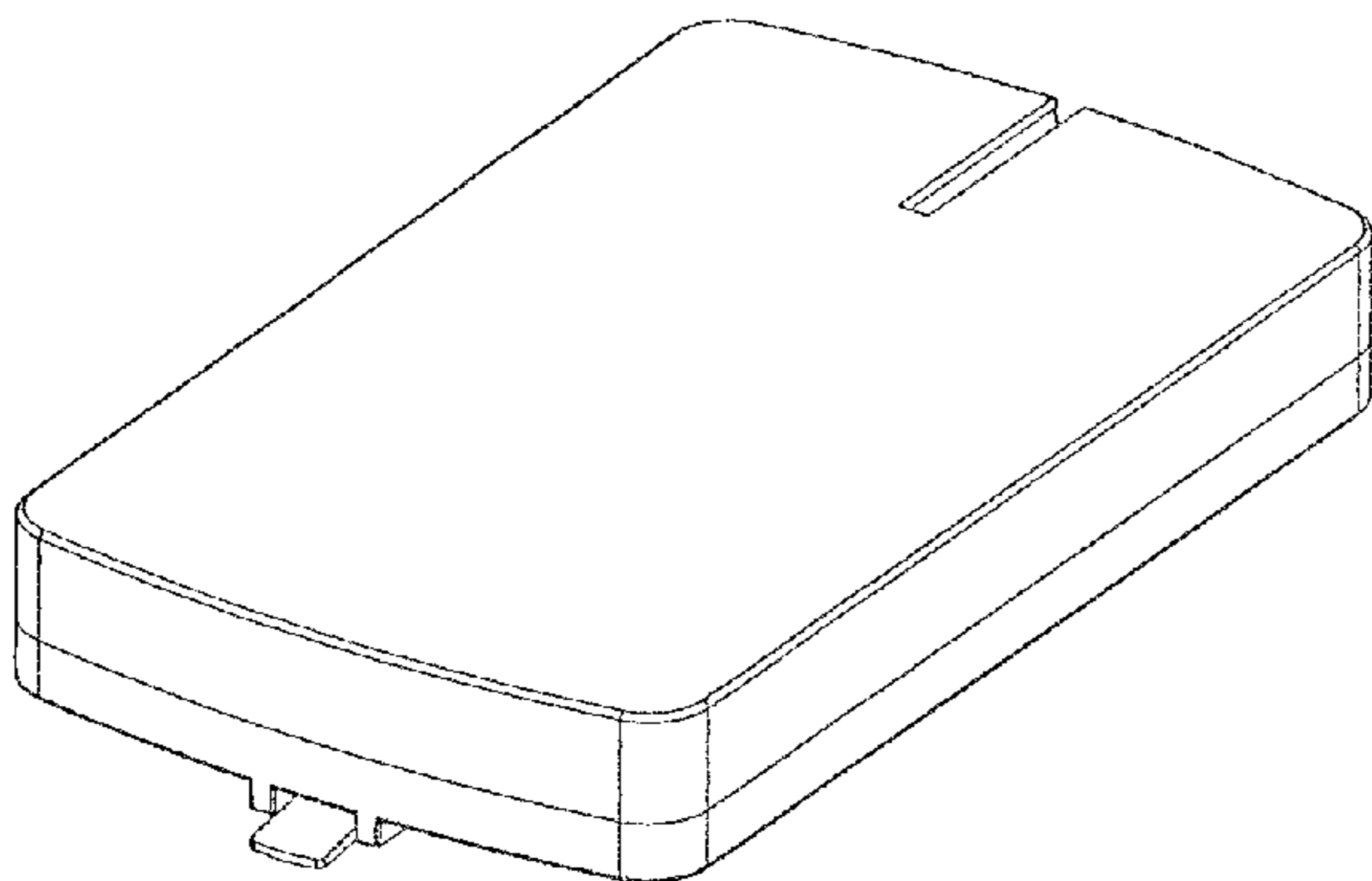
(57) **CLAIM**

The ornamental design for a linear actuator accessory, as shown and described.

**DESCRIPTION**

FIG. 1 is a perspective top view of a linear actuator accessory showing my new and ornamental design, FIG. 2 is a perspective bottom view thereof, FIG. 3 is a top plan view thereof, FIG. 4 is an elevational left side view thereof, FIG. 5 is an elevational right side view thereof, FIG. 6 is a bottom plan view thereof, FIG. 7 is an elevational front view thereof; and, FIG. 8 is an elevational rear view thereof.

**1 Claim, 2 Drawing Sheets**



(56)

**References Cited**

U.S. PATENT DOCUMENTS

2015/0330486 A1\* 11/2015 Hu ..... F16H 25/20  
74/89.14  
2015/0354679 A1\* 12/2015 Oberndorfer ..... F16H 25/20  
74/89.23  
2016/0047446 A1\* 2/2016 Hung ..... F16H 25/2056  
74/89.35

\* cited by examiner

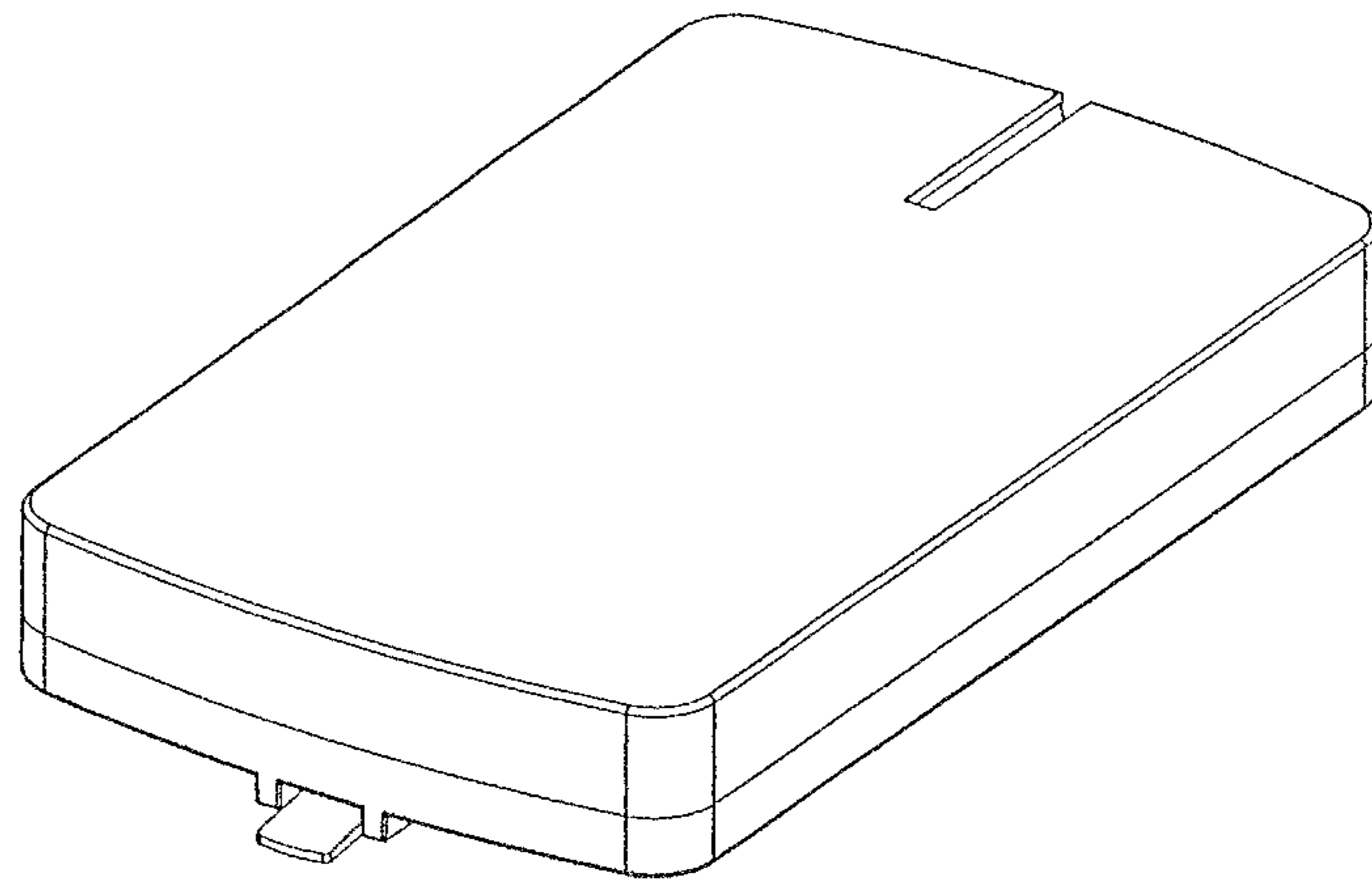


FIG. 1

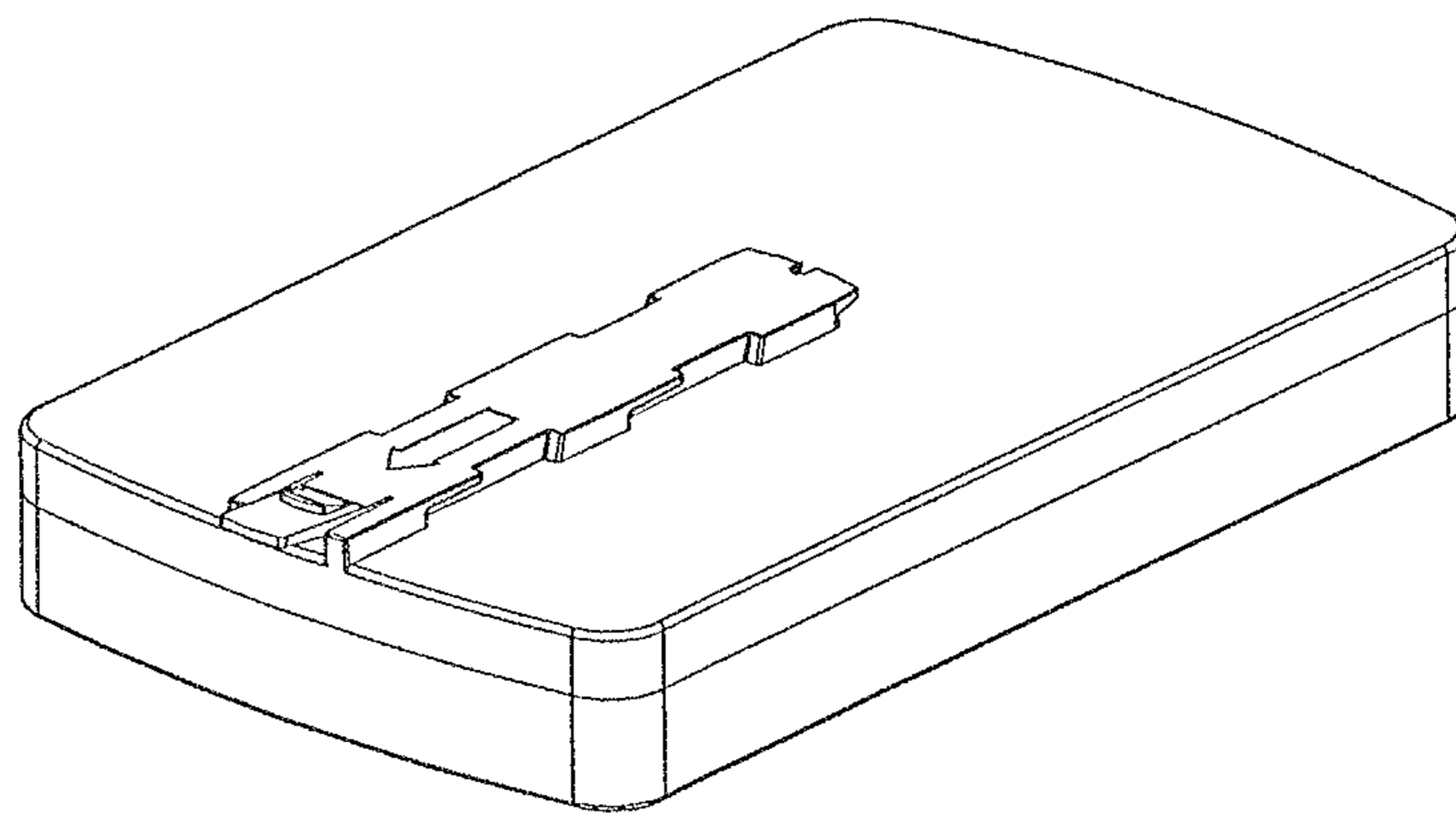


FIG. 2

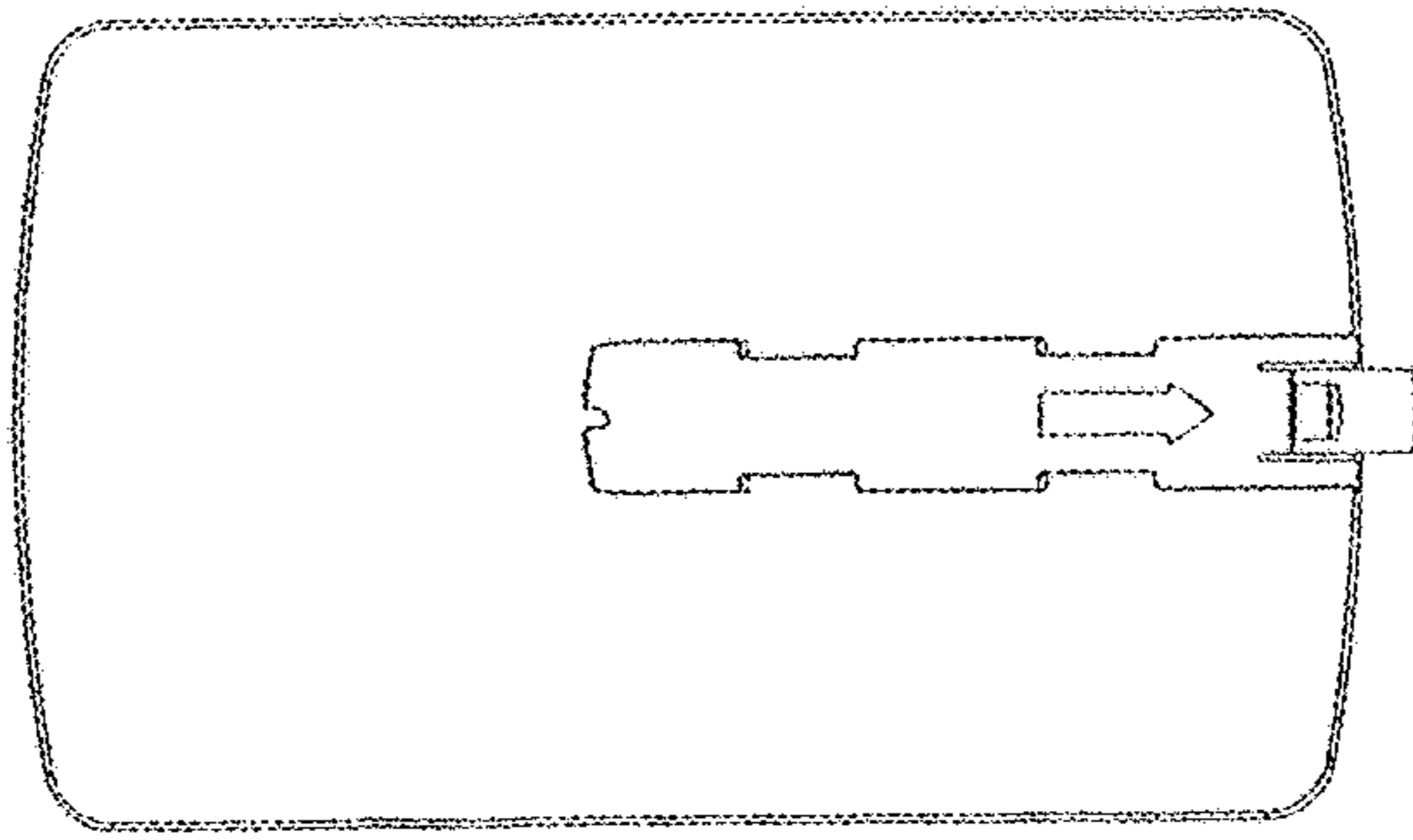


FIG. 3

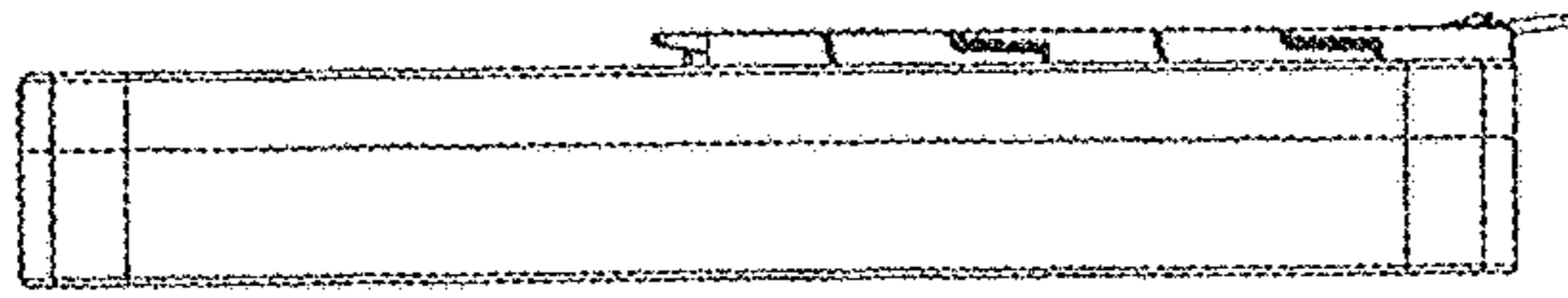


FIG. 4

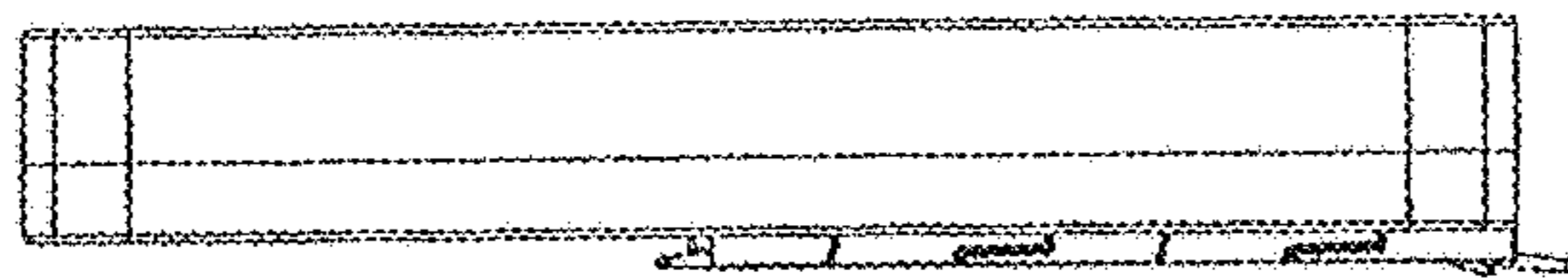


FIG. 5

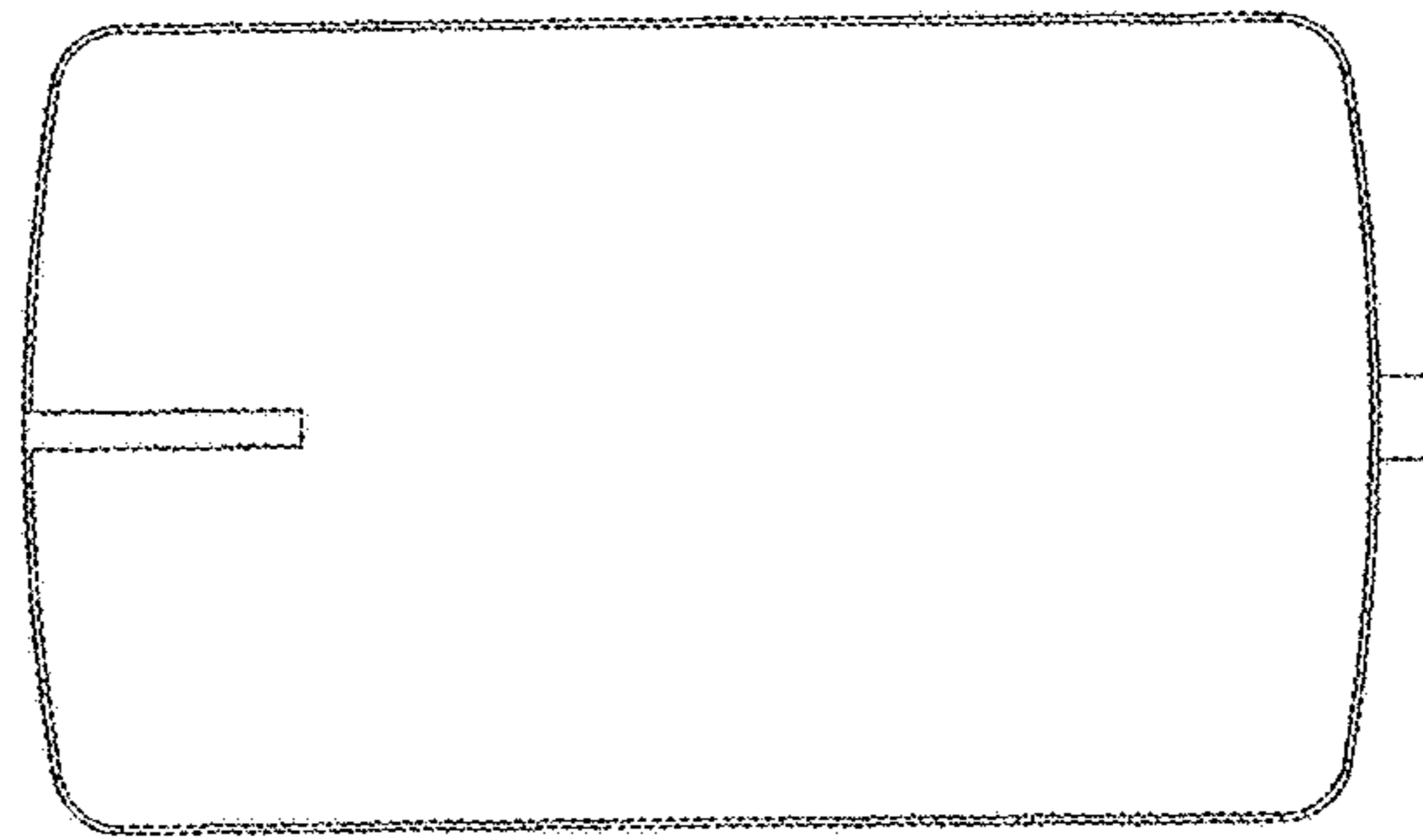


FIG. 6

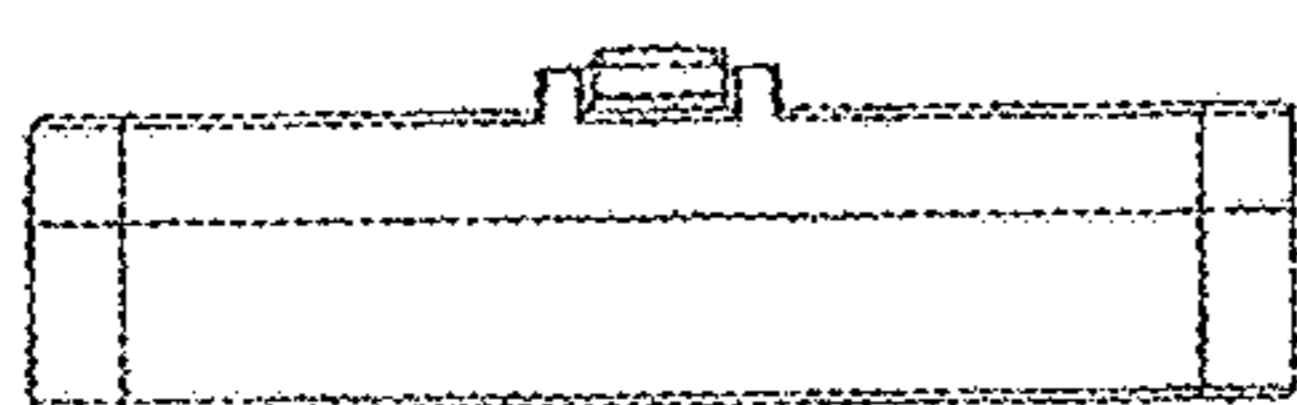


FIG. 7

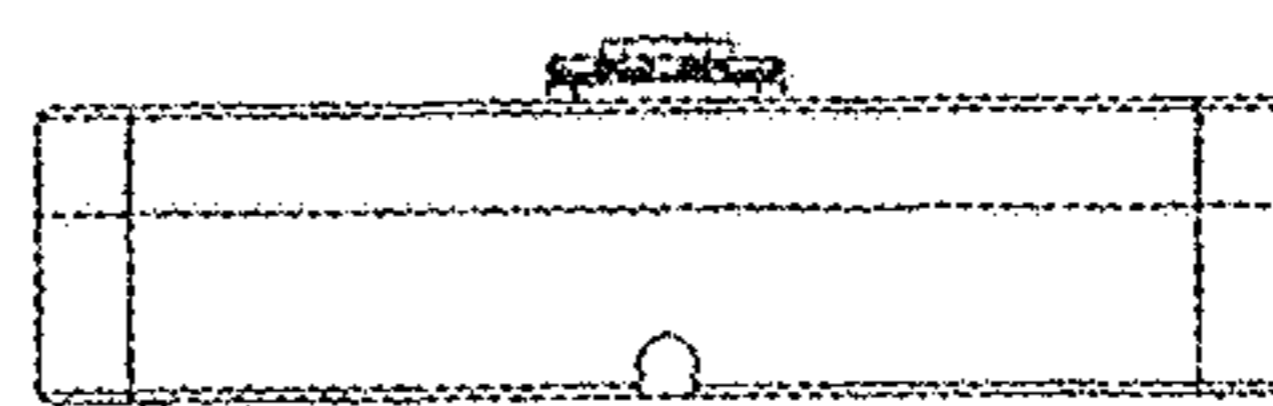


FIG. 8