



US00D828421S

(12) **United States Design Patent** (10) **Patent No.:** **US D828,421 S**  
**Musser** (45) **Date of Patent:** **\*\* Sep. 11, 2018**

- (54) **VERTICAL SEAM WELDER COMPONENT**
- (71) Applicant: **Carlton C. Musser**, North Beach, MD (US)
- (72) Inventor: **Carlton C. Musser**, North Beach, MD (US)
- (\*\*) Term: **15 Years**
- (21) Appl. No.: **29/586,956**
- (22) Filed: **Dec. 8, 2016**
- (51) **LOC (11) Cl.** ..... **15-09**
- (52) **U.S. Cl.**  
USPC ..... **D15/144**
- (58) **Field of Classification Search**  
USPC ..... D8/29.1, 29.2, 30; D15/144, 144.1, D15/144.2  
CPC ..... B25J 9/041; B25J 15/0052; B23K 9/02; B23K 9/12; B23K 9/28; B23K 9/167; B23K 9/0288; B23K 11/318; E04C 3/32; Y10T 29/53961  
See application file for complete search history.

(56) **References Cited**

U.S. PATENT DOCUMENTS

3,068,351	A	12/1962	Longnecker et al.	
3,119,009	A *	1/1964	Zeller	B23K 9/02 219/124.02
3,281,569	A	10/1966	Bachofner	
3,296,411	A	1/1967	Woolsey et al.	
3,838,496	A *	10/1974	Kelly	B23K 9/0209 228/213
4,122,328	A	10/1978	Essers et al.	
4,323,758	A	4/1982	Vokurka	
4,523,075	A *	6/1985	Horii	B23K 11/318 219/78.01
4,701,989	A	10/1987	Cayzer	
5,025,126	A	6/1991	Hansen	
D321,963	S *	11/1991	Welder	D32/58

D338,148	S *	8/1993	Gowdy	D8/71
D344,529	S *	2/1994	Gowdy	D15/140
5,441,196	A	8/1995	Heinakari et al.	
5,983,496	A	11/1999	Hermanson	
D500,364	S *	12/2004	Welder	D25/16
D616,906	S *	6/2010	Bender	D15/144
7,926,694	B2	4/2011	Franco	
9,604,734	B2 *	3/2017	Eusterwiemann	B64F 5/10
2001/0003866	A1 *	6/2001	Peckham	H05K 13/0069 29/832
2002/0050674	A1 *	5/2002	Babchuk	B23K 37/0443 269/296
2002/0112332	A1 *	8/2002	Ormachea	B68G 7/00 29/91.5

(Continued)

*Primary Examiner* — Patricia A Palasik  
(74) *Attorney, Agent, or Firm* — Richard L. Miller

(57) **CLAIM**

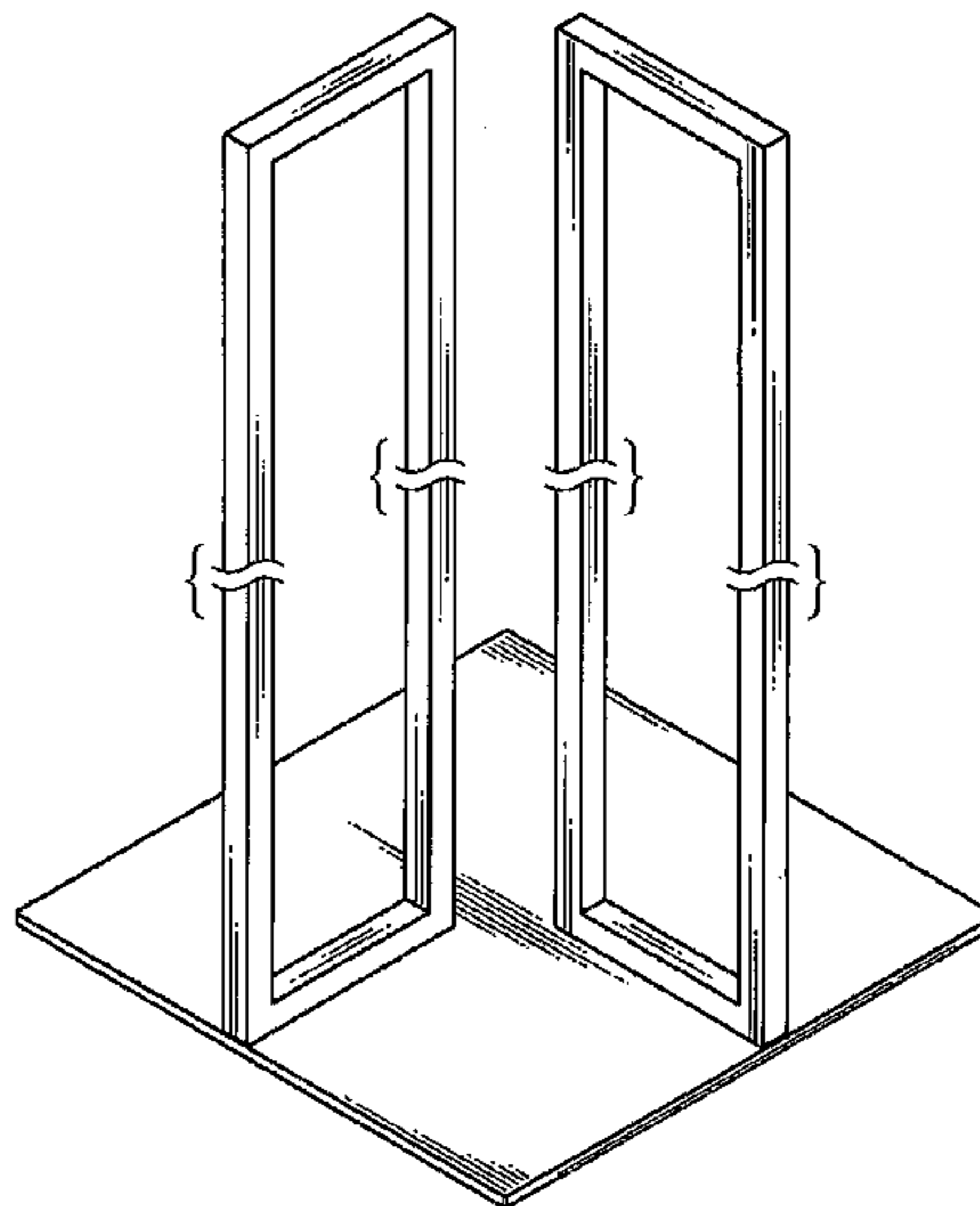
The ornamental design for a vertical seam welder component, as shown and described.

**DESCRIPTION**

FIG. 1 is a perspective view of a vertical seam welder component showing my new design; FIG. 2 is a front elevational view thereof; FIG. 3 is a right side elevational view thereof; FIG. 4 is a rear elevational view thereof; FIG. 5 is a left side elevational view thereof; FIG. 6 is a top plan view thereof; and, FIG. 7 is a view identical to FIG. 1 with descriptive legend directional arrows included which are necessary for better understanding of the drawing.

Any portion of the claimed design that is shown separated and bound by a bracket indicates that no particular length is being claimed and any portion of the article between the break lines forms no part of the claimed design. A view of the bottom is omitted because the bottom is flat and devoid of surface ornamentation.

**1 Claim, 5 Drawing Sheets**



(56)

**References Cited**

U.S. PATENT DOCUMENTS

2002/0124372	A1*	9/2002	Chiari .....	B26D 7/1818 29/281.1	2007/0017080	A1*	1/2007	Hamilton .....	B60N 2/5825 29/428
2003/0046801	A1*	3/2003	Engstrom .....	B25B 5/003 29/281.4	2008/0080962	A1*	4/2008	Holtmeier .....	B25J 15/0052 414/627
2003/0214087	A1*	11/2003	Grosso .....	B23Q 3/18 269/71	2010/0140969	A1*	6/2010	Lin .....	B25J 15/0052 294/86.4
2004/0010904	A1*	1/2004	Bauer .....	B23Q 1/0063 29/559	2012/0047721	A1*	3/2012	Watson .....	A47K 3/283 29/700
2004/0111877	A1*	6/2004	Fajardo .....	F16L 43/00 29/782	2013/0255178	A1*	10/2013	Judd .....	E04B 1/344 52/646
2004/0211049	A1*	10/2004	Doyon .....	B23Q 3/06 29/432	2014/0252290	A1*	9/2014	Lachenberg .....	B23K 1/00 256/22
2005/0081371	A1*	4/2005	Kim .....	B62D 25/082 29/705	2015/0026961	A1*	1/2015	Eusterwiemann .....	B23Q 1/015 29/559
2005/0210762	A1*	9/2005	Broberg .....	E04B 1/34807 52/79.1	2015/0107180	A1*	4/2015	Armstrong .....	E04B 1/24 52/653.1
					2017/0106534	A1*	4/2017	Nakamoto .....	B25J 9/1075

\* cited by examiner

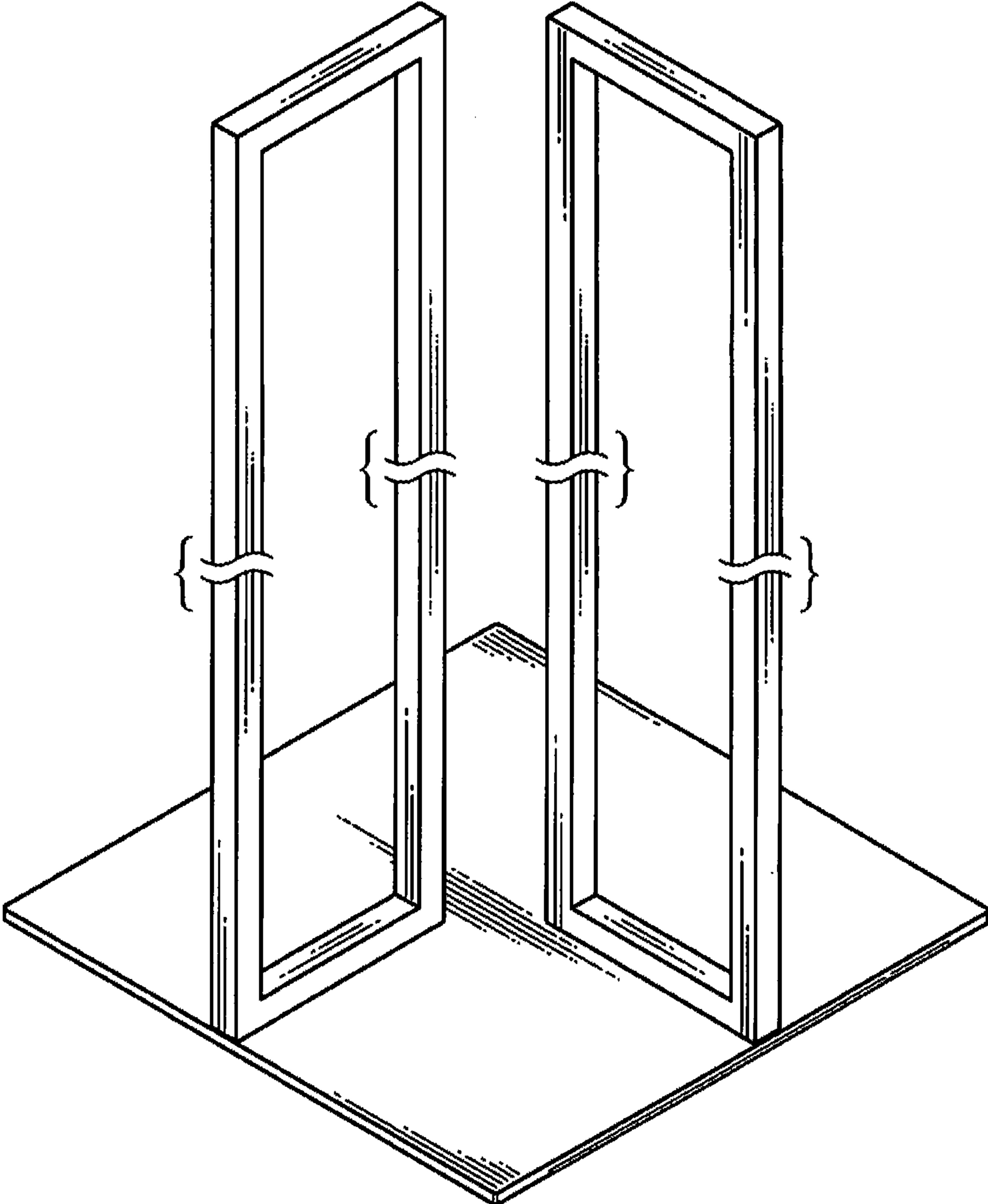


FIG. 1

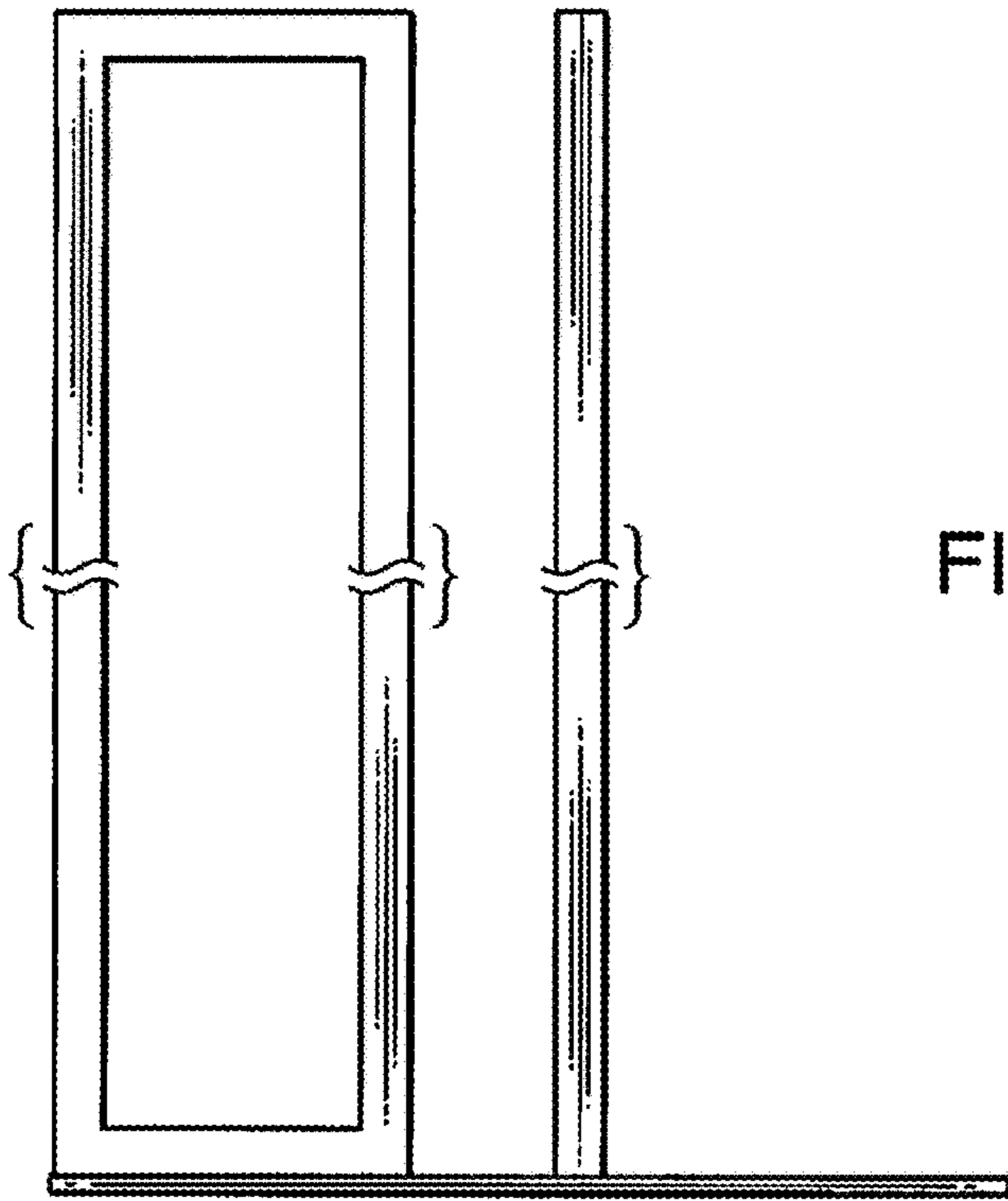


FIG. 2

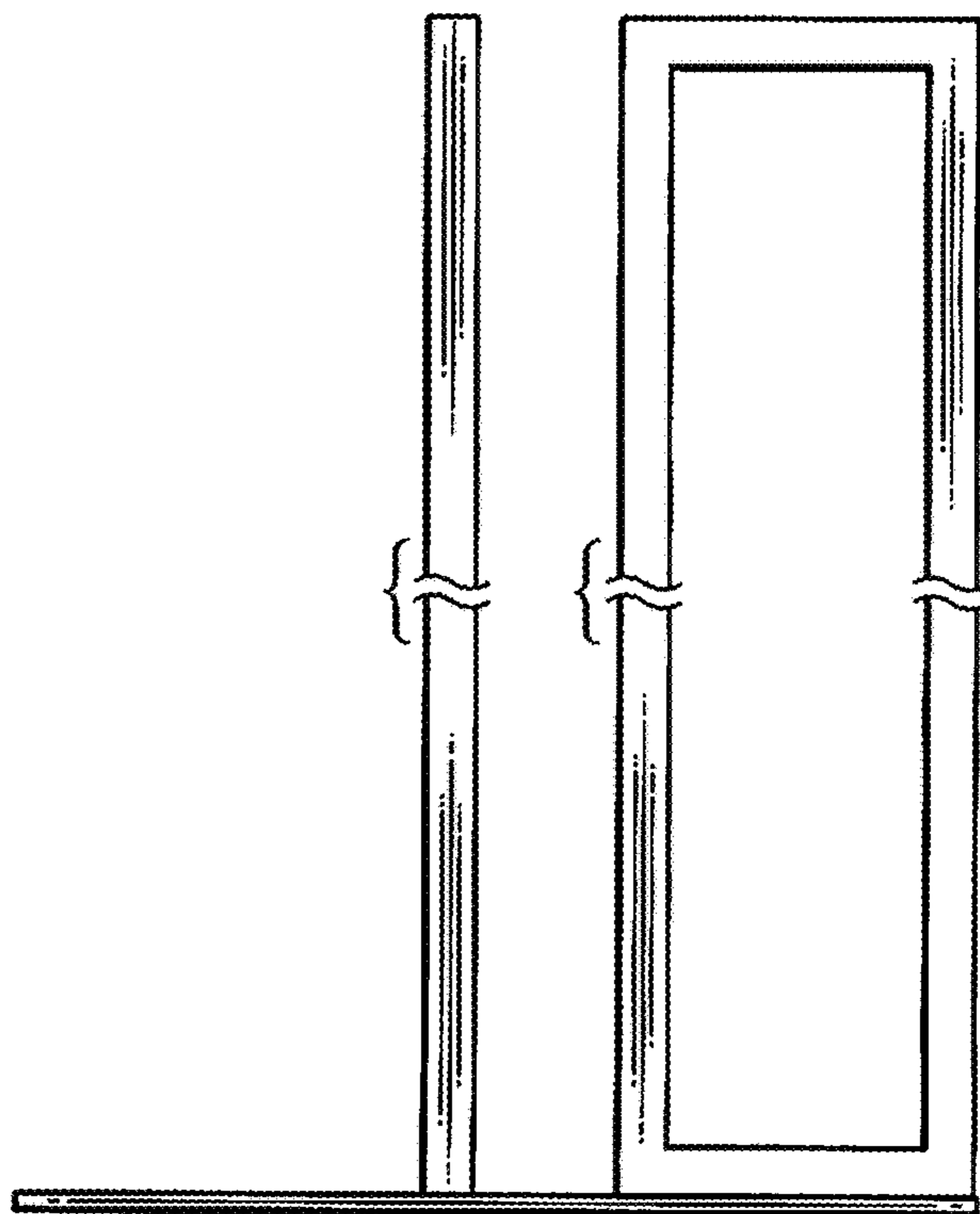


FIG. 3

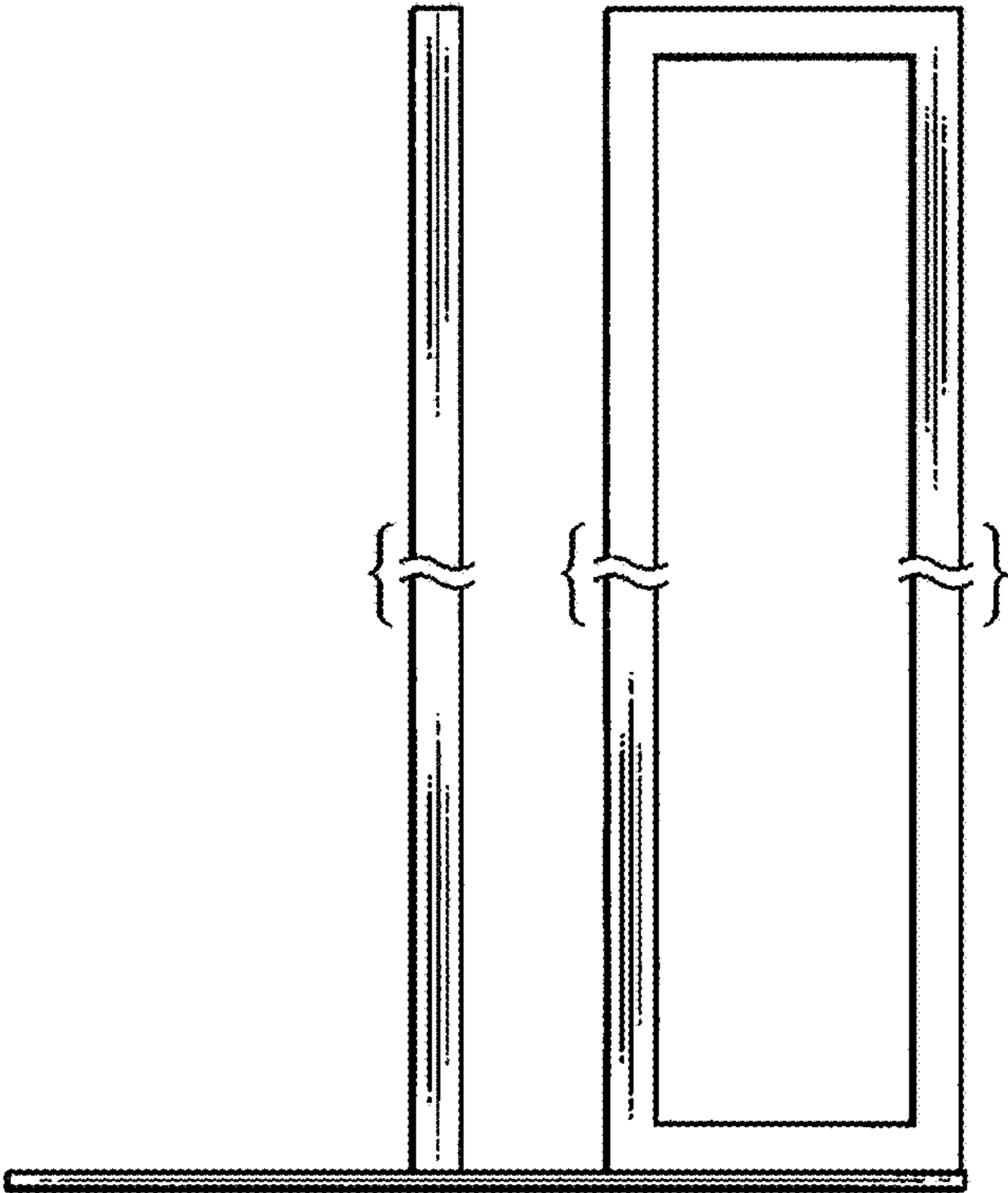


FIG. 4

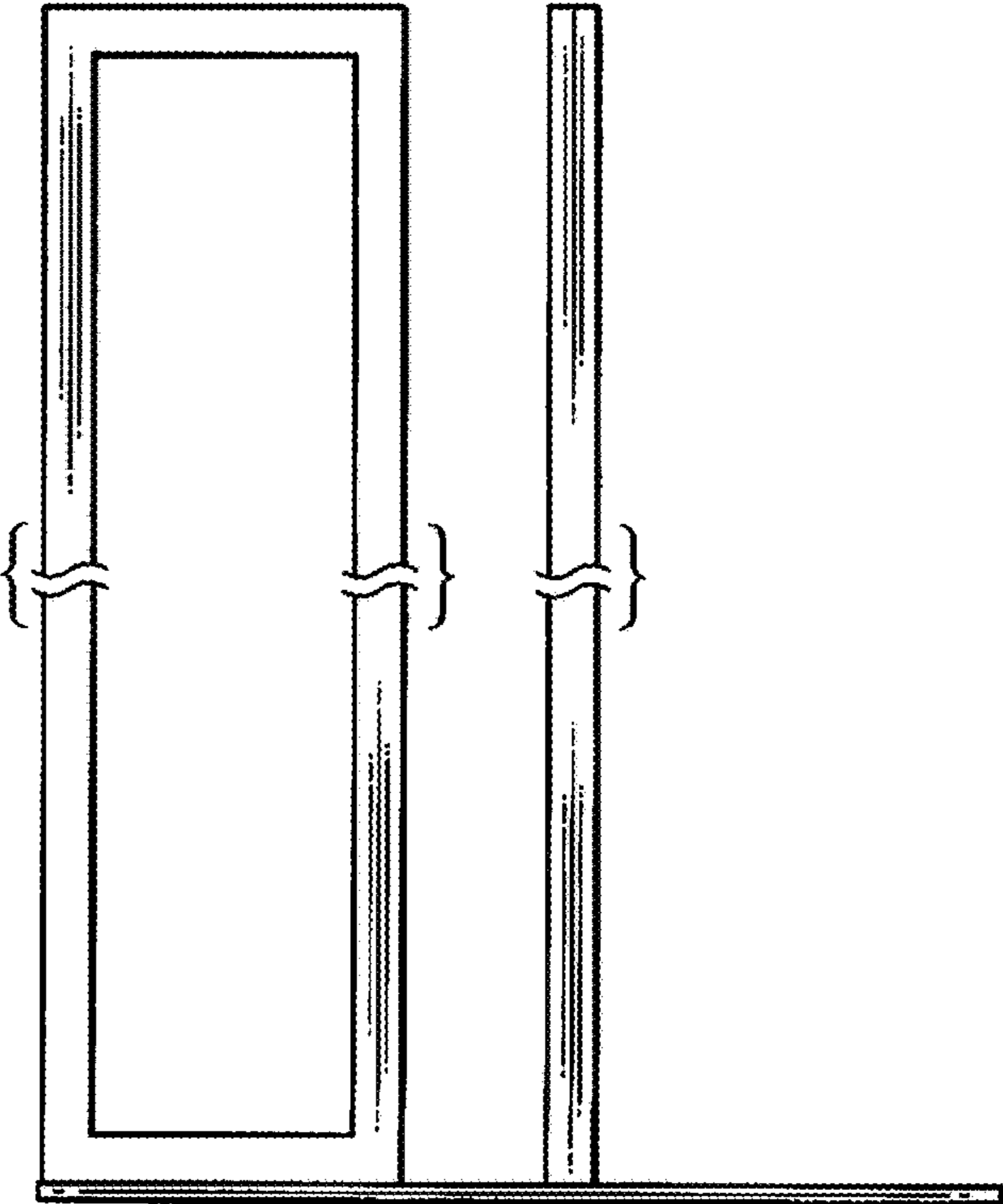


FIG. 5

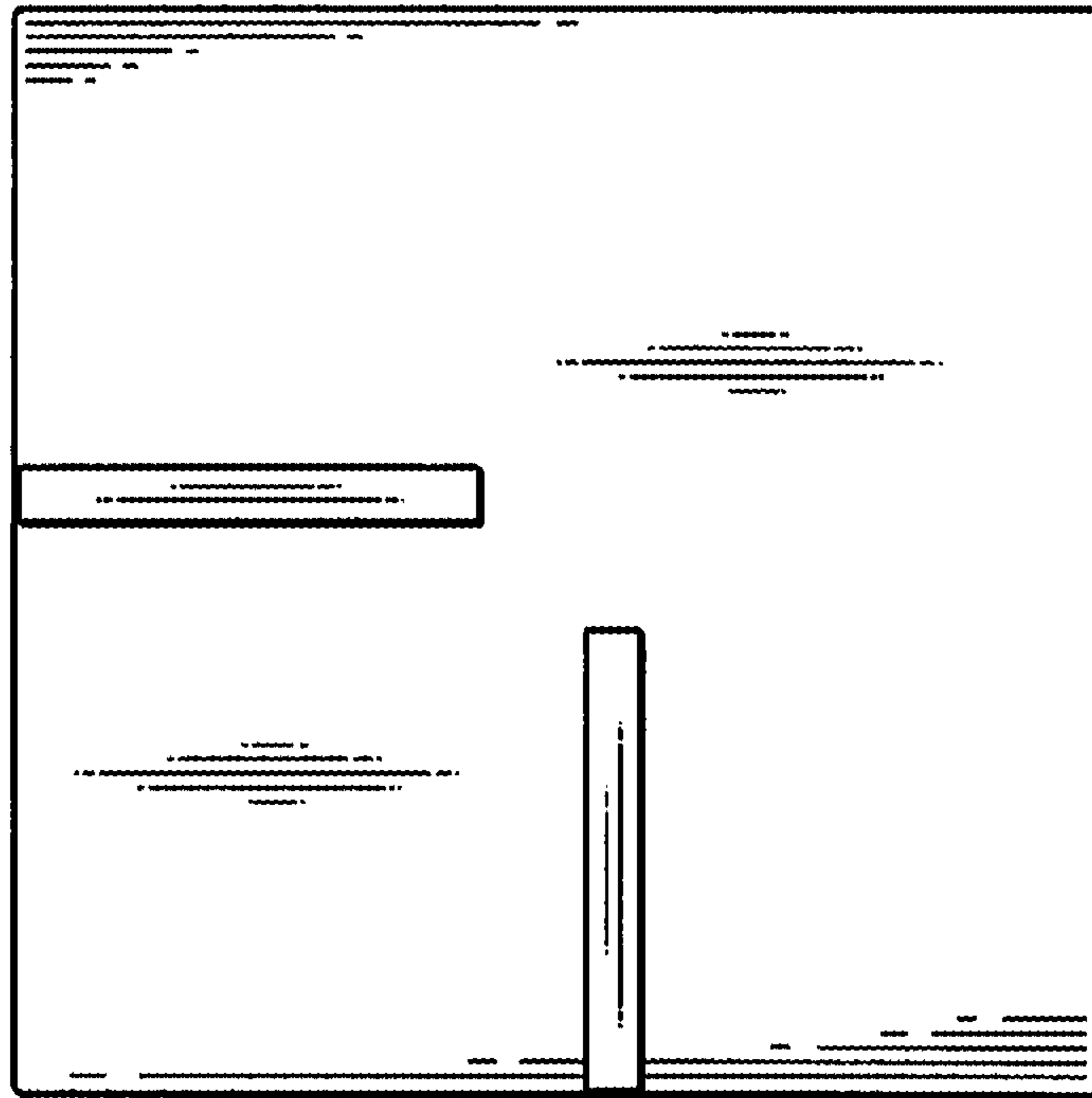


FIG. 6

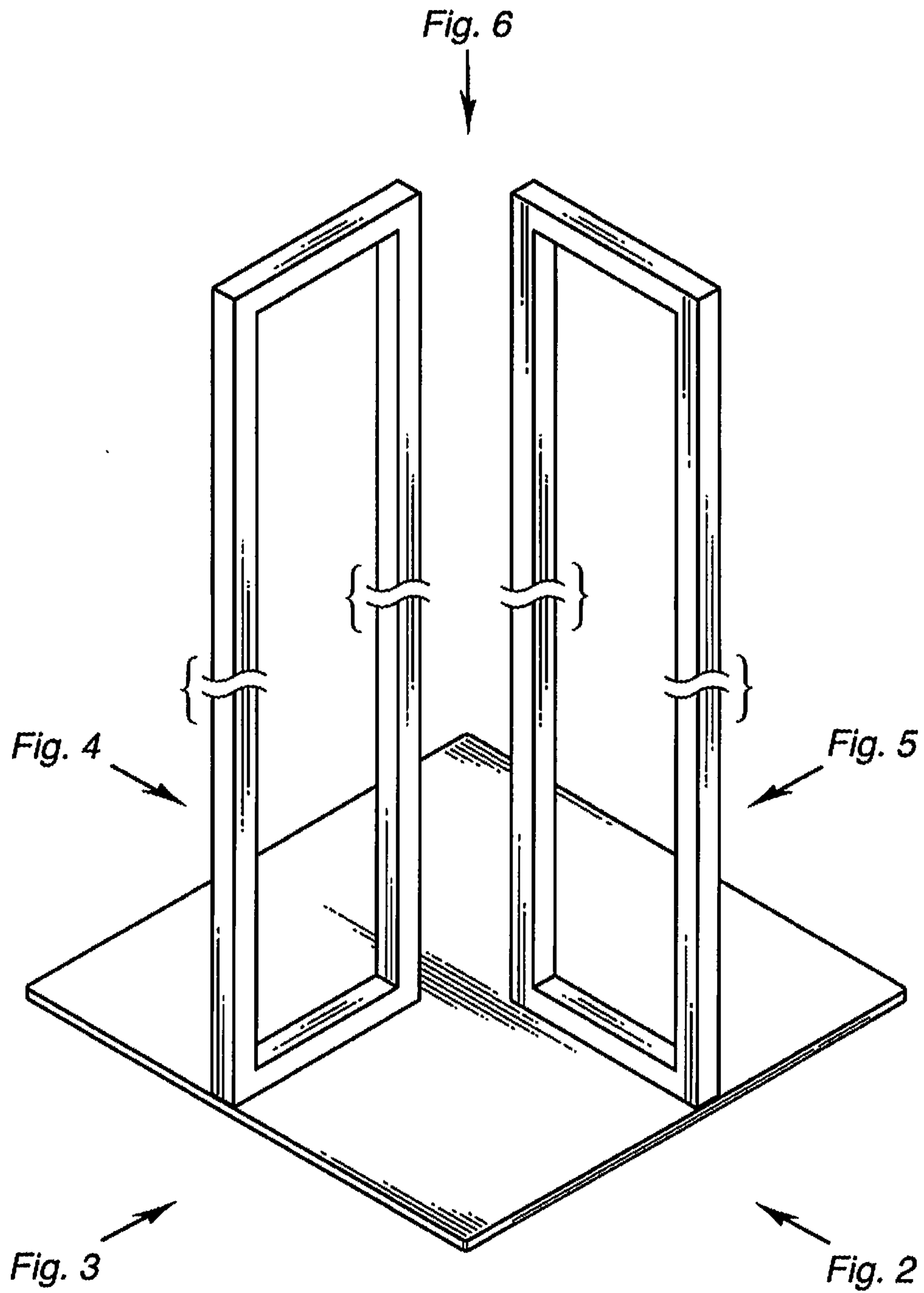


FIG. 7