



US00D828420S

(12) **United States Design Patent** (10) **Patent No.:** **US D828,420 S**
Klug (45) **Date of Patent:** **** Sep. 11, 2018**

(54) **CENTER SLEEVE PUSHER**

(71) Applicant: **Bernd Klug**, Lindlar (DE)

(72) Inventor: **Bernd Klug**, Lindlar (DE)

(**) Term: **15 Years**

(21) Appl. No.: **35/502,068**

(22) Filed: **Nov. 2, 2016**

(80) **Hague Agreement Data**

Int. Filing Date: **Nov. 2, 2016**

Int. Reg. No.: **DM/093644**

Int. Reg. Date: **Nov. 2, 2016**

Int. Reg. Pub. Date: **Dec. 9, 2016**

(51) **LOC (11) Cl.** **15-09**

(52) **U.S. Cl.**
USPC **D15/143**
CPC **B66F 3/18** (2013.01)

(58) **Field of Classification Search**
USPC D15/1-5, 7, 9, 143, 148, 149, 199, 122;
D12/345; D13/110, 118, 158, 162, 184
CPC B66F 3/18; F16H 19/04; F16H 57/039;
H01F 7/066

See application file for complete search history.

(56) **References Cited**

U.S. PATENT DOCUMENTS

- D417,876 S * 12/1999 Kayukawa D15/9
- D528,564 S * 9/2006 Tomiji D15/5
- D595,752 S * 7/2009 Lin D15/143
- D603,435 S * 11/2009 Walton D15/143
- D624,101 S * 9/2010 Tseng D15/143
- D624,102 S * 9/2010 Tseng D15/143
- D624,561 S * 9/2010 Yu D15/7

- D660,332 S * 5/2012 Thompson, Jr. D15/141
- D718,359 S * 11/2014 Hoermann D15/149
- D762,753 S * 8/2016 Luck D15/143
- D765,748 S * 9/2016 Bogelund D15/143
- D792,490 S * 7/2017 Lin D15/143
- D802,629 S * 11/2017 Tseng D15/7
- D806,151 S * 12/2017 Landerholm D15/143

* cited by examiner

Primary Examiner — Richard E Chilcot

(57) **CLAIM**

The ornamental design for a center sleeve pusher, as shown and described.

DESCRIPTION

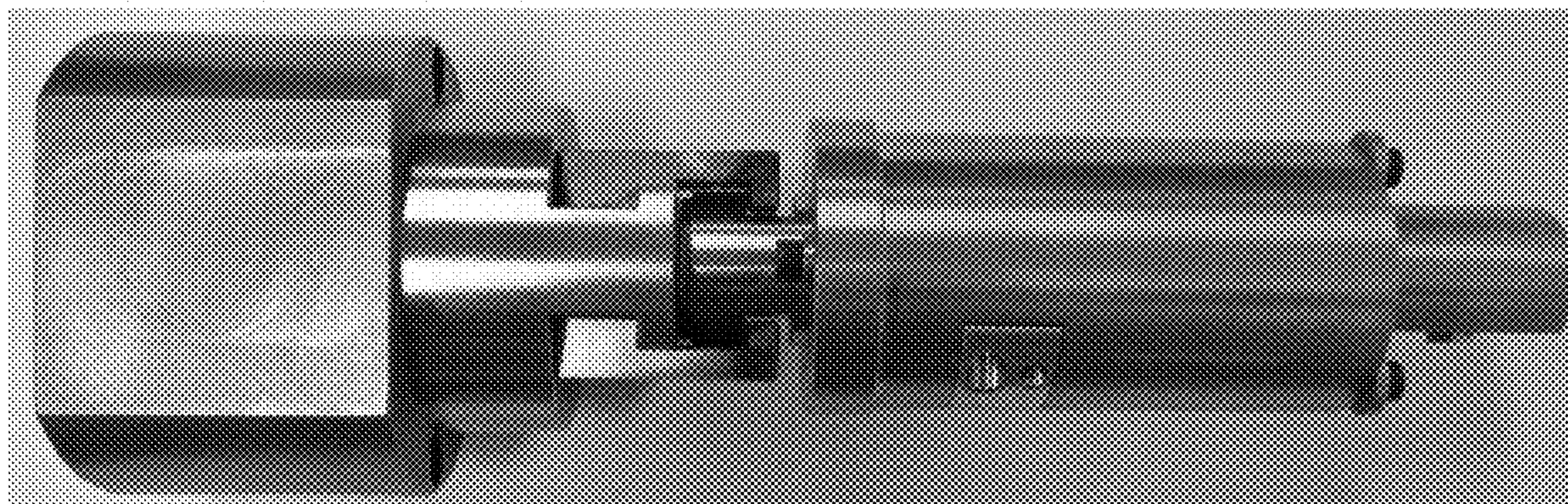
The file of this patent contains at least one drawing/photograph executed in color. Copies of this patent with color drawing(s)/photograph(s) will be provided by the Office upon request and payment of the necessary fee.

1.-2. Center sleeve pushers

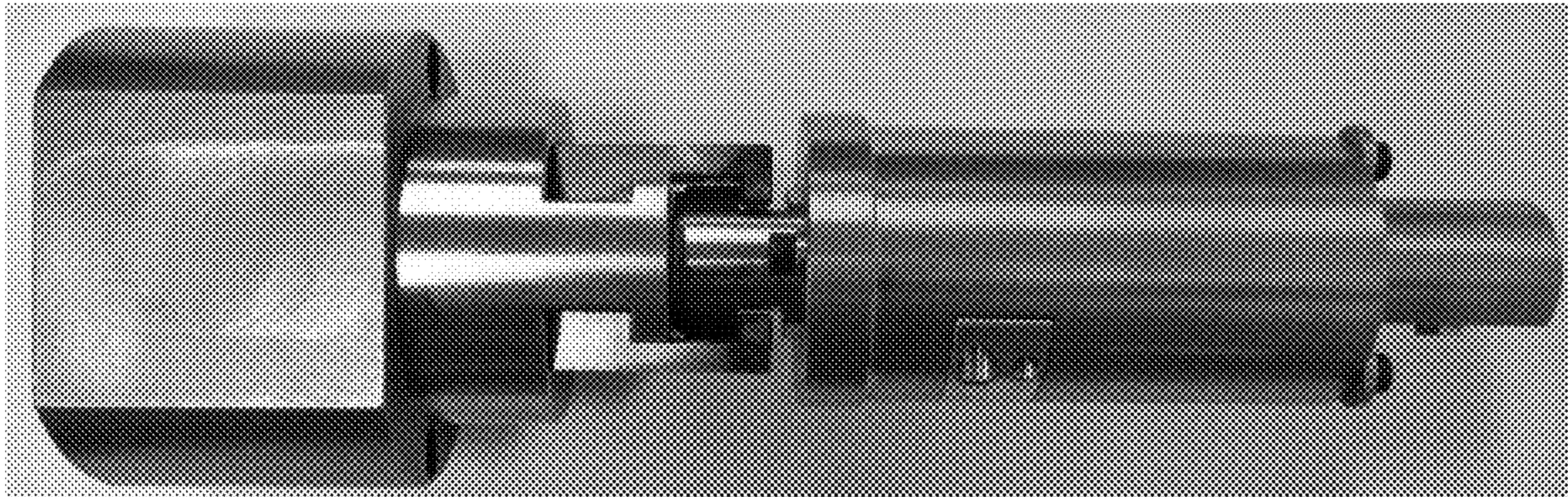
- 1.1 : Top view
- 1.2 : Side view
- 1.3 : Bottom view
- 1.4 : Another side view
- 1.5 : Back
- 1.6 : Front
- 1.7 : Perspective
- 1.8 : Perspective
- 2.1 : Perspective
- 2.2 : Perspective
- 2.7 : Back
- 2.8 : Front

FIGS. 2.1-2.8 depict the center sleeve pusher with a center sleeve shown in a retracted position as compared to FIGS. 1.1 through 1.8.

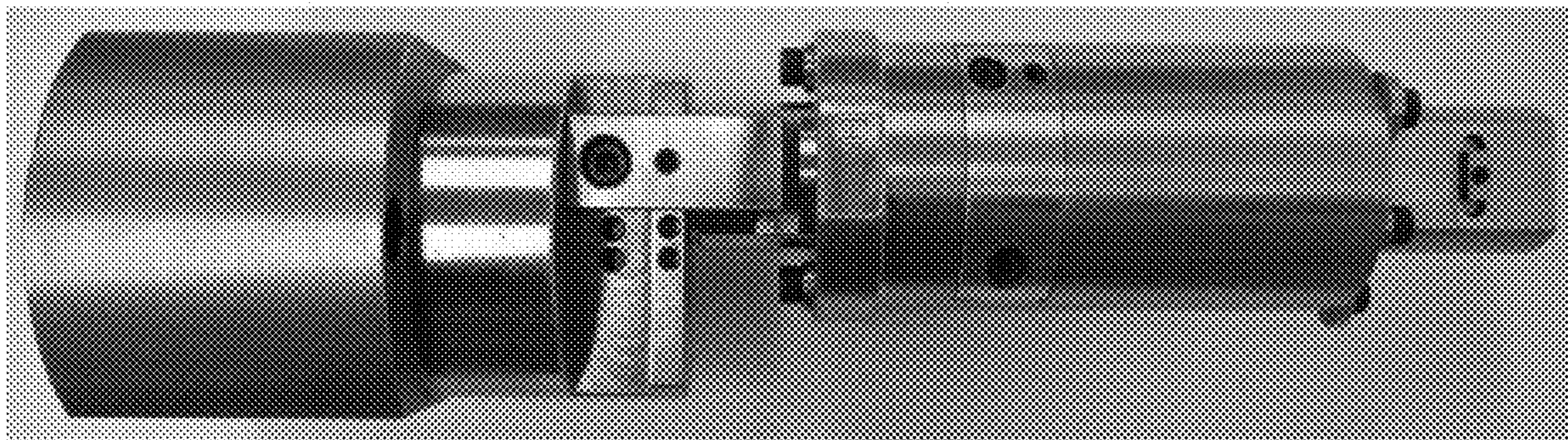
1 Claim, 12 Drawing Sheets
(12 of 12 Drawing Sheet(s) Filed in Color)



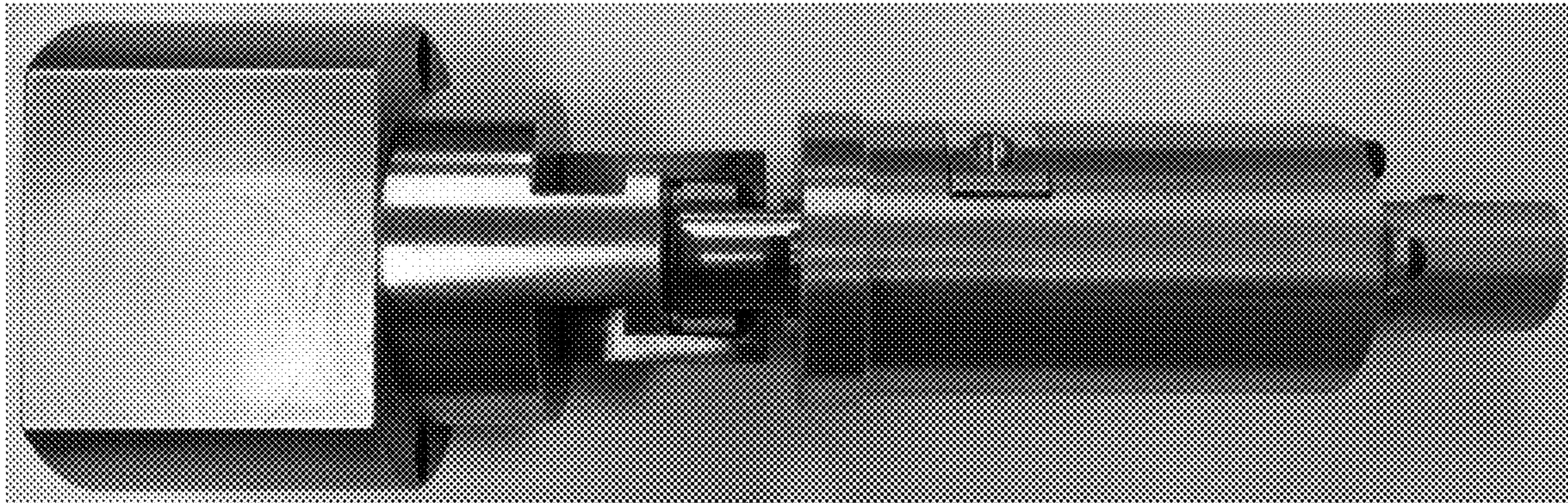
1.1



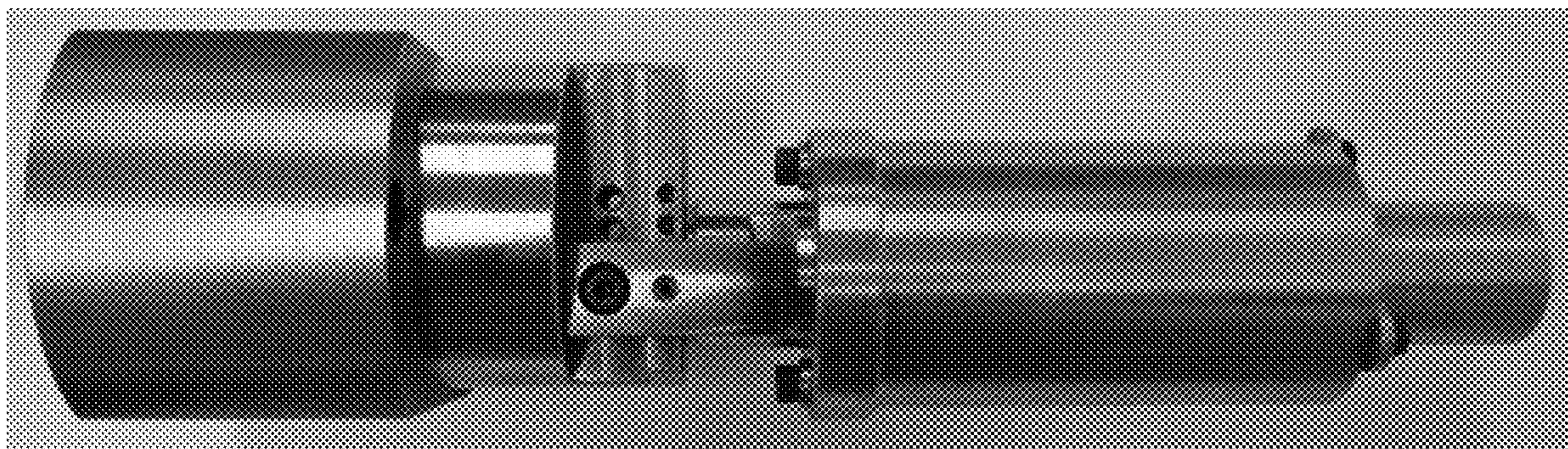
1.2



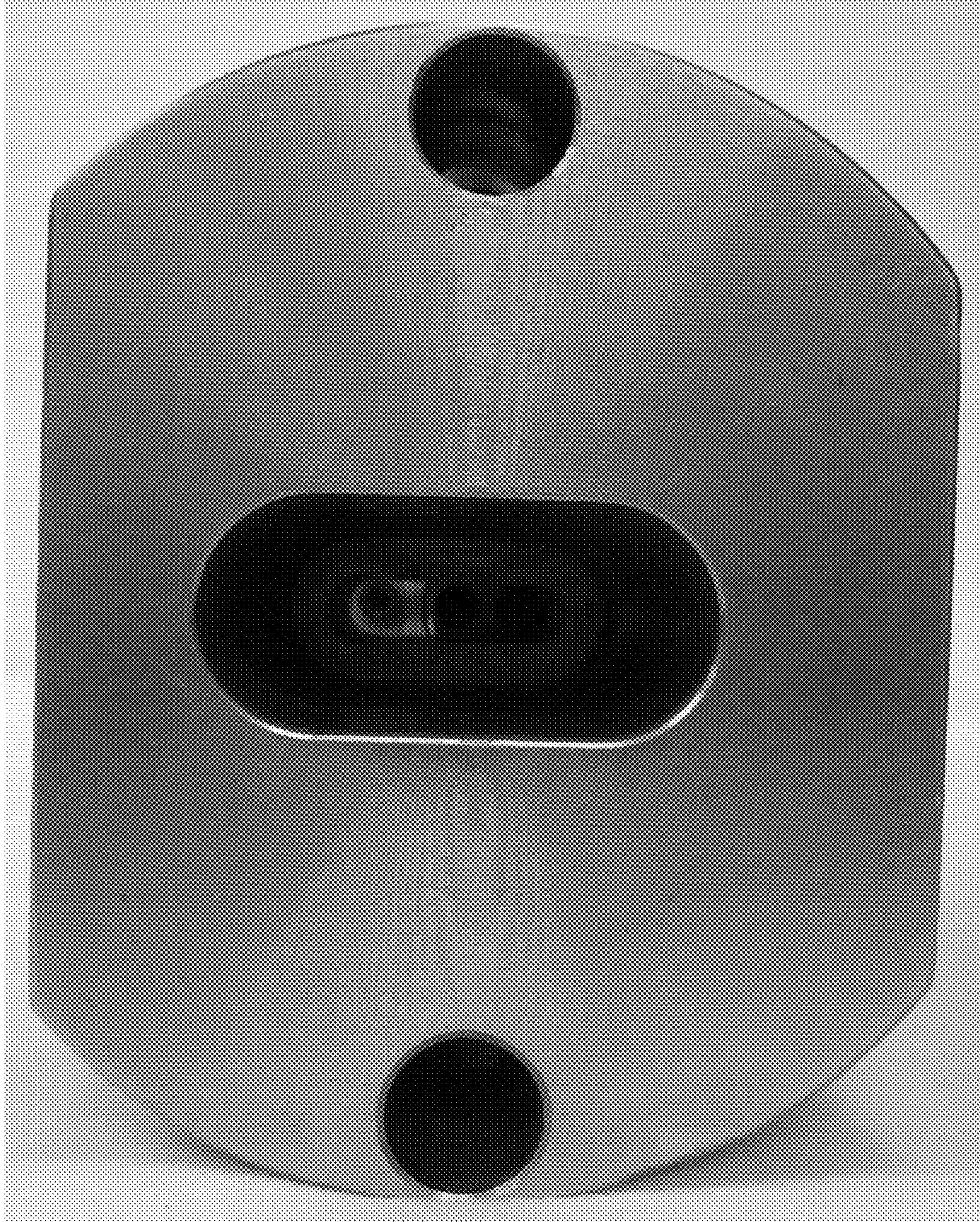
1.3



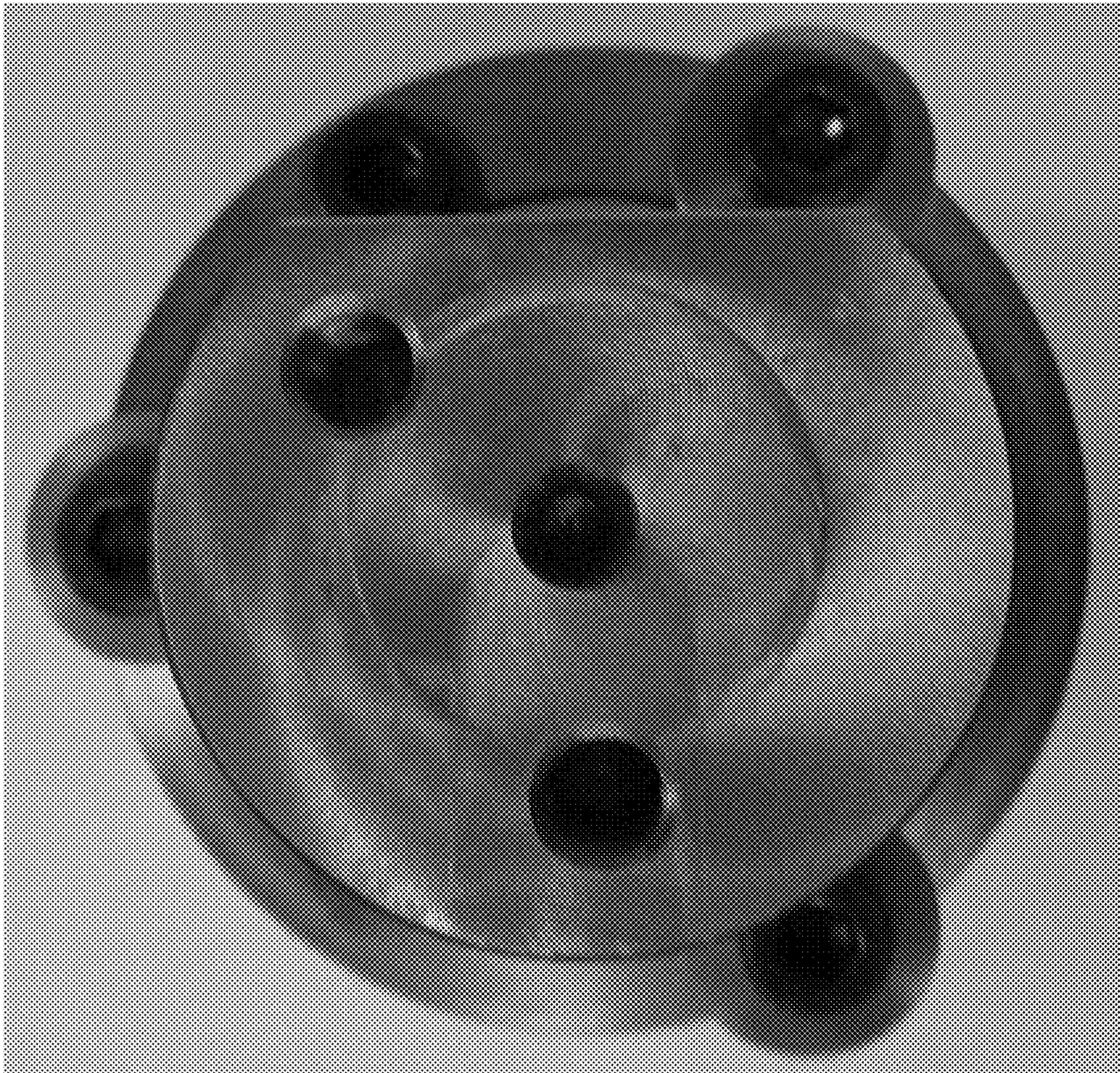
1.4



1.5



1.6



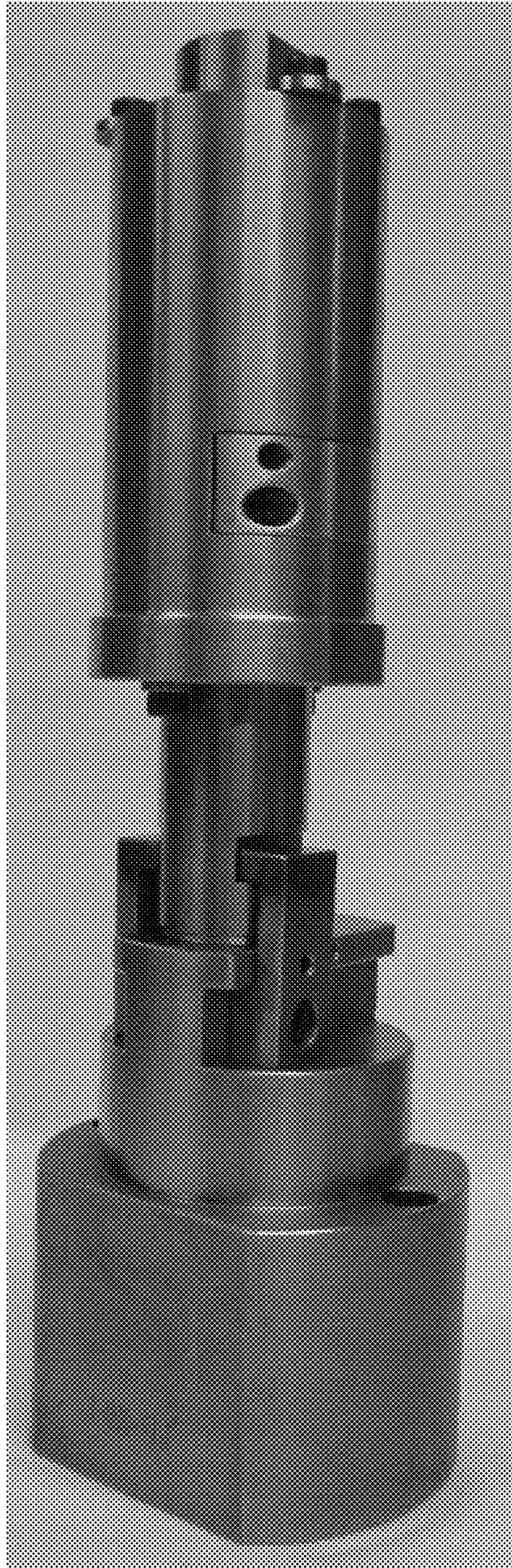
1.7



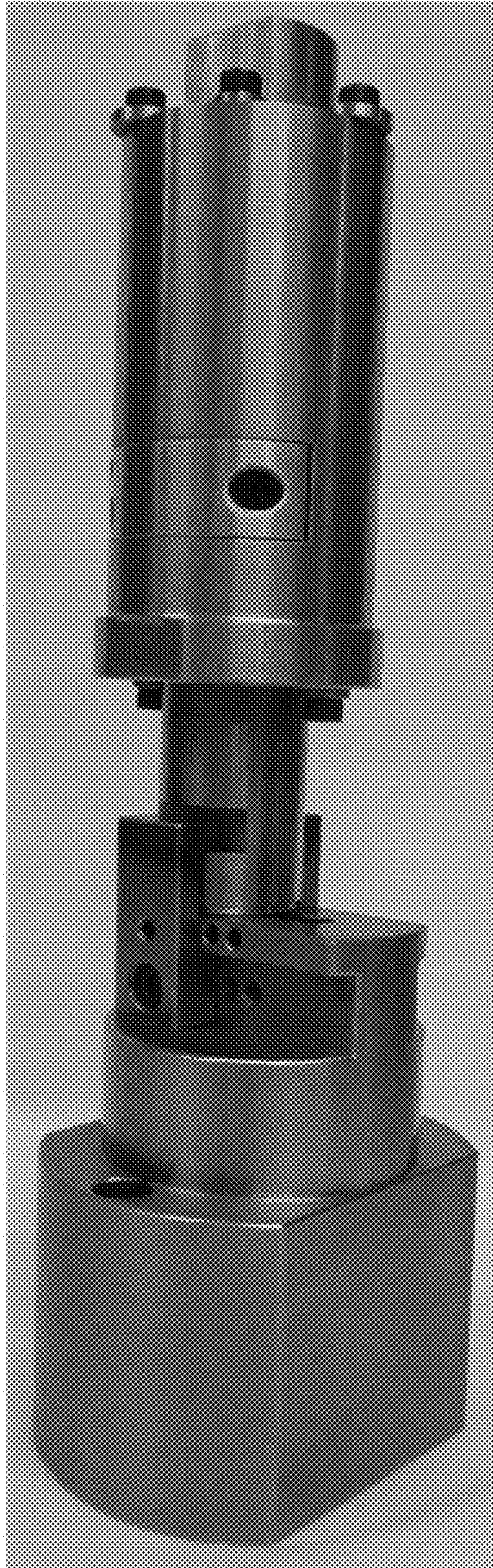
1.8



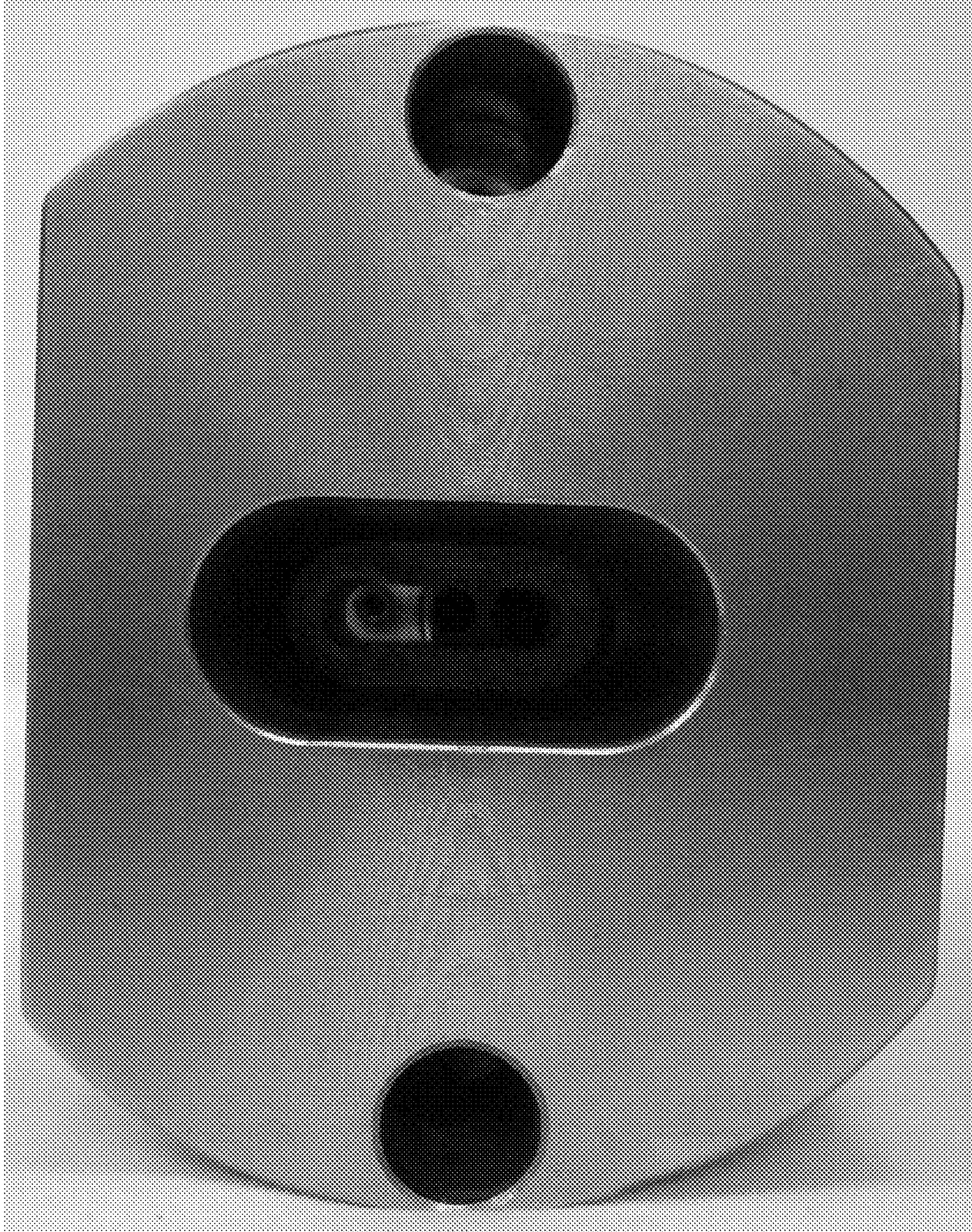
2.1



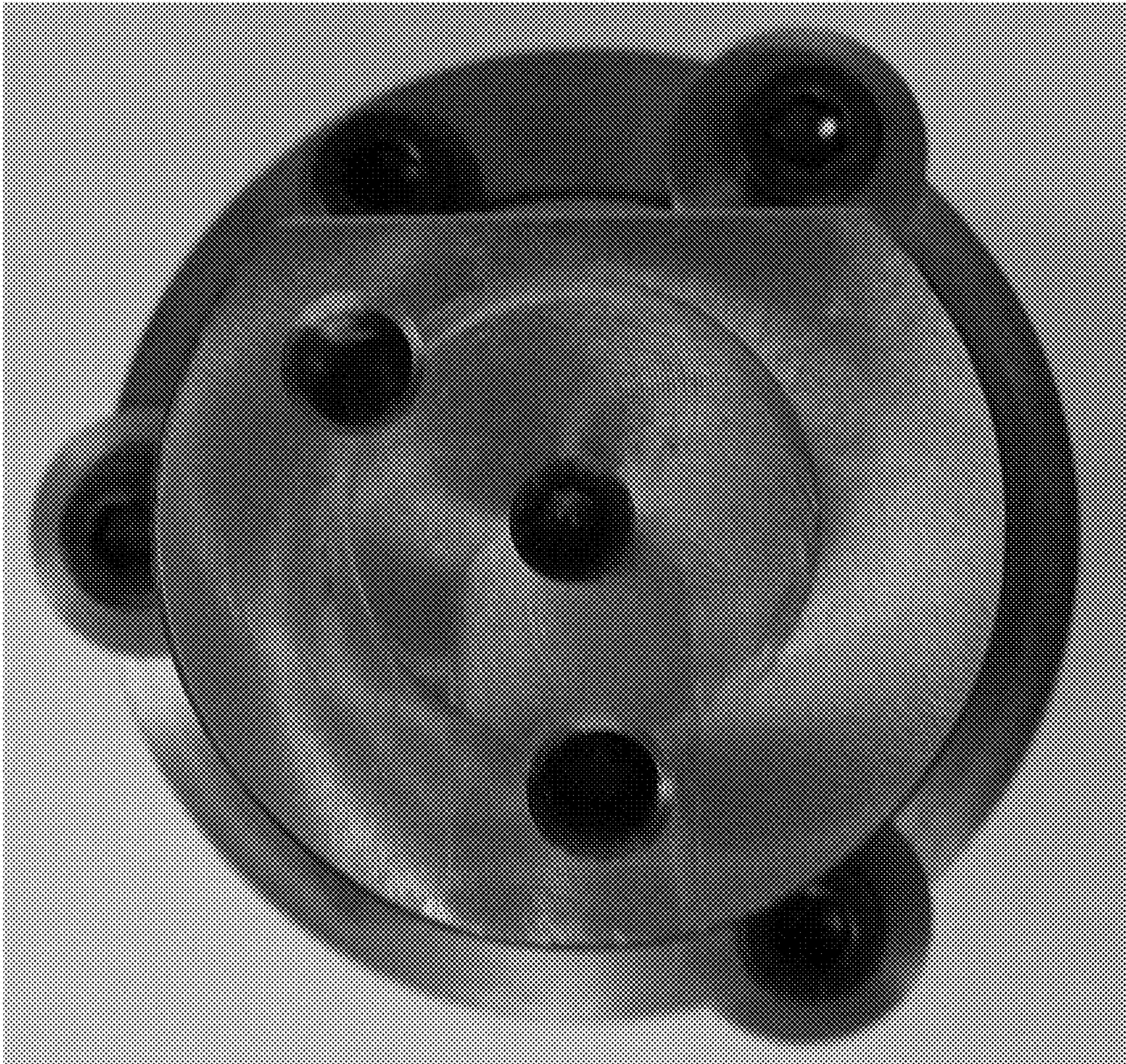
2.2



2.7



2.8



UNITED STATES PATENT AND TRADEMARK OFFICE
CERTIFICATE OF CORRECTION

PATENT NO. : D828,420 S
APPLICATION NO. : 35/502068
DATED : September 11, 2018
INVENTOR(S) : Klug

Page 1 of 18

It is certified that error appears in the above-identified patent and that said Letters Patent is hereby corrected as shown below:

Delete the title page and replace with attached title page showing the corrected number of drawing sheets.

Delete Drawing Sheets 1-12 and replace with the attached Drawing Sheets 1-16.

Signed and Sealed this
First Day of October, 2019



Andrei Iancu
Director of the United States Patent and Trademark Office

(12) **United States Design Patent** (10) **Patent No.:** **US D828,420 S**
Klug (45) **Date of Patent:** **** Sep. 11, 2018**

(54) **CENTER SLEEVE PUSHER**

(71) Applicant: **Bernd Klug**, Lindlar (DE)

(72) Inventor: **Bernd Klug**, Lindlar (DE)

(**) Term: **15 Years**

(21) Appl. No.: **35/502,068**

(22) Filed: **Nov. 2, 2016**

(80) **Hague Agreement Data**

Int. Filing Date: **Nov. 2, 2016**

Int. Reg. No.: **DM/093644**

Int. Reg. Date: **Nov. 2, 2016**

Int. Reg. Pub. Date: **Dec. 9, 2016**

(51) **LOC (11) CL.** **15-09**

(52) **U.S. CL.**
 USPC **D15/143**
 CPC **B66F 3/18** (2013.01)

(58) **Field of Classification Search**
 USPC D15/1-5, 7, 9, 143, 148, 149, 199, 122;
 D12/345; D13/110, 118, 158, 162, 184
 CPC B66F 3/18; F16H 19/04; F16H 57/039;
 H01F 7/066
 See application file for complete search history.

(56) **References Cited**

U.S. PATENT DOCUMENTS

D417,876 S *	12/1999	Kayukawa	D15/9
D528,564 S *	9/2006	Tomiji	D15/5
D595,752 S *	7/2009	Lin	D15/143
D603,435 S *	11/2009	Walton	D15/143
D624,101 S *	9/2010	Tseng	D15/143
D624,102 S *	9/2010	Tseng	D15/143
D624,561 S *	9/2010	Yu	D15/7

D660,332 S *	5/2012	Thompson, Jr.	D15/141
D718,359 S *	11/2014	Hoermann	D15/149
D762,753 S *	8/2016	Luck	D15/143
D765,748 S *	9/2016	Bogelund	D15/143
D792,490 S *	7/2017	Lin	D15/143
D802,629 S *	11/2017	Tseng	D15/7
D806,151 S *	12/2017	Landerholm	D15/143

* cited by examiner

Primary Examiner — Richard E Chilcot

(57) **CLAIM**

The ornamental design for a center sleeve pusher, as shown and described.

DESCRIPTION

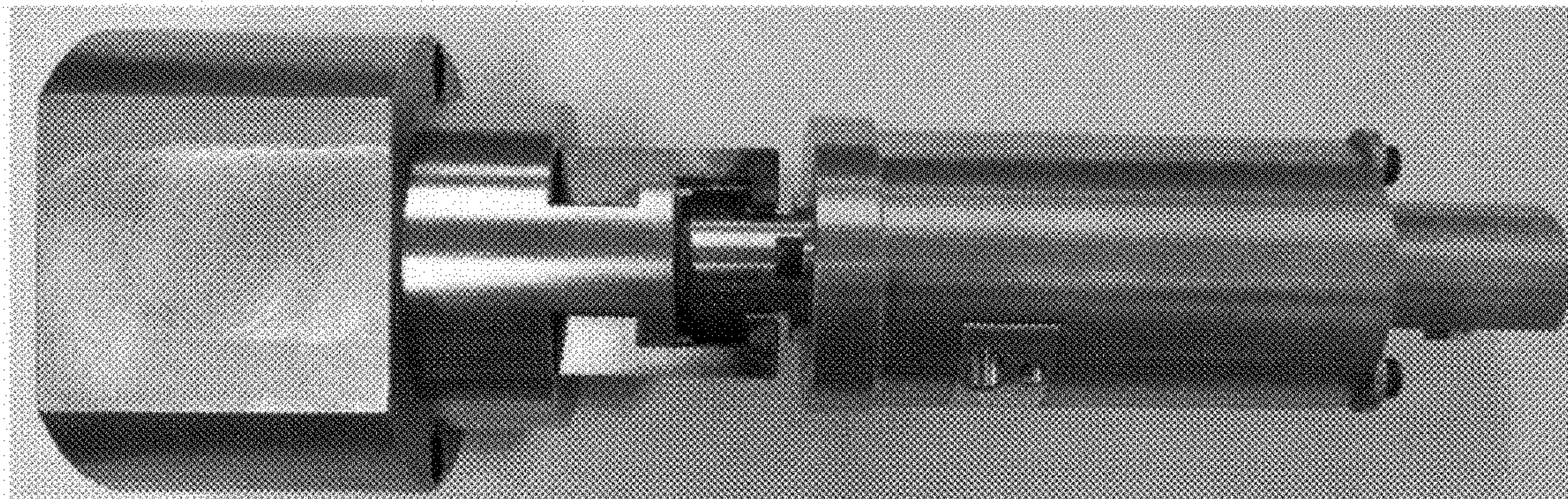
The file of this patent contains at least one drawing/photograph executed in color. Copies of this patent with color drawing(s)/photograph(s) will be provided by the Office upon request and payment of the necessary fee.

1.-2. Center sleeve pushers

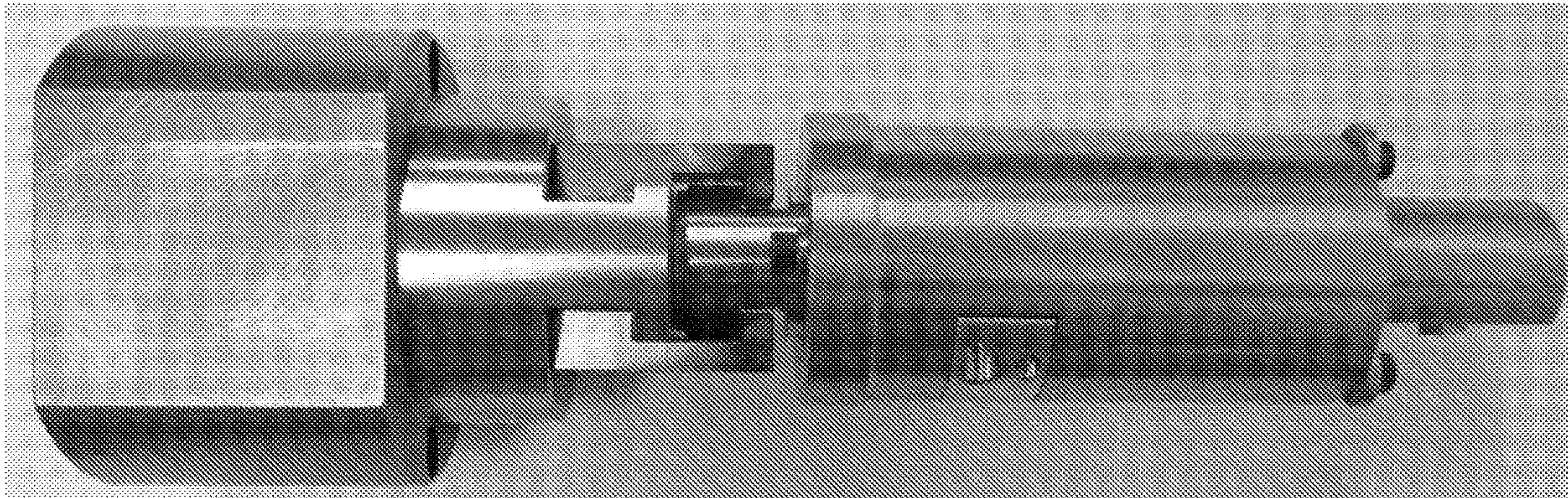
- 1.1 : Top view
- 1.2 : Side view
- 1.3 : Bottom view
- 1.4 : Another side view
- 1.5 : Back
- 1.6 : Front
- 1.7 : Perspective
- 1.8 : Perspective
- 2.1 : Perspective
- 2.2 : Perspective
- 2.7 : Back
- 2.8 : Front

FIGS. 2.1-2.8 depict the center sleeve pusher with a center sleeve shown in a retracted position as compared to FIGS. 1.1 through 1.8.

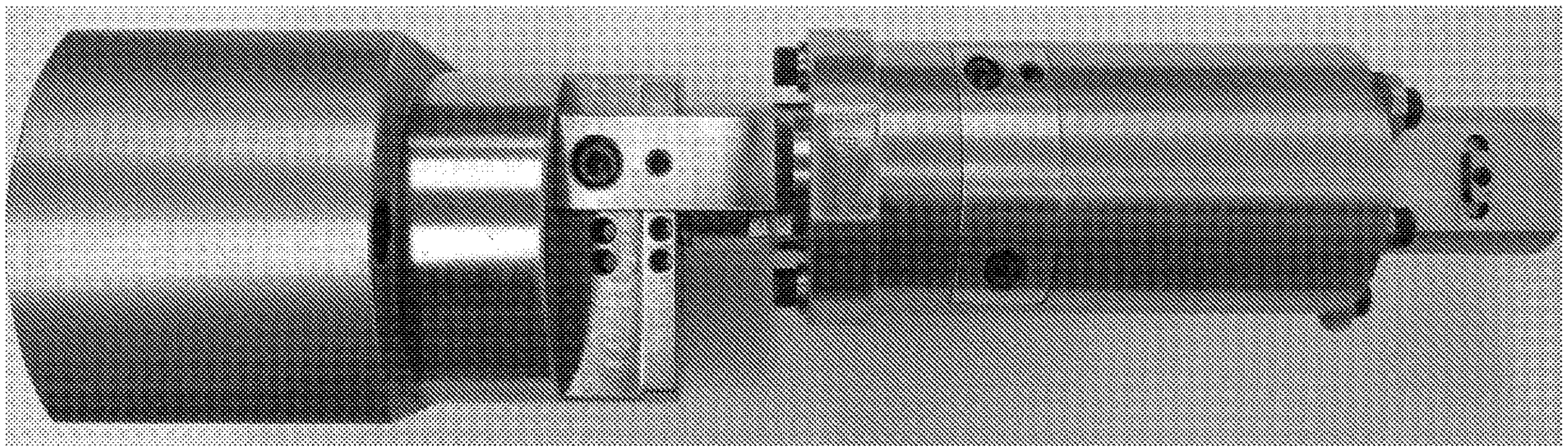
1 Claim, 16 Drawing Sheets
(16 of 16 Drawing Sheet(s) Filed in Color)



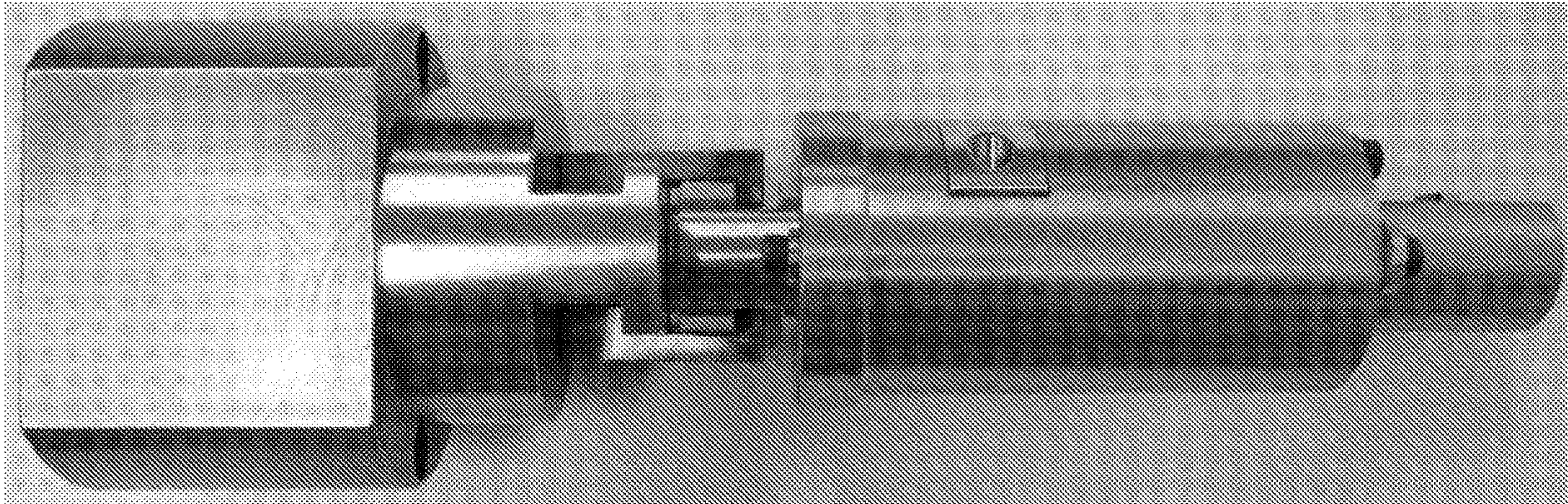
1.1



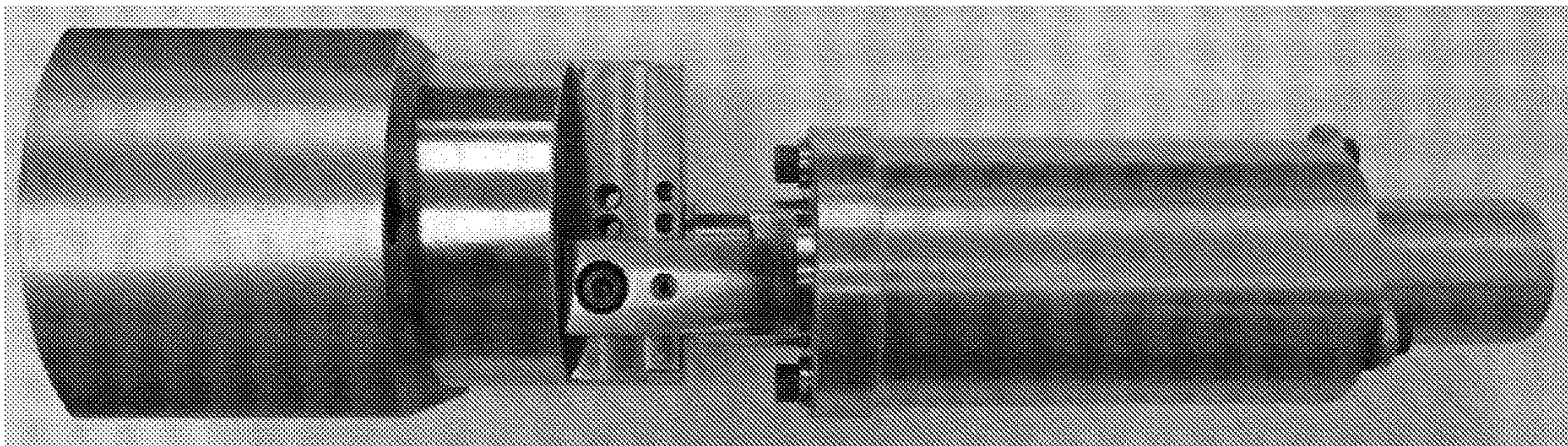
1.2



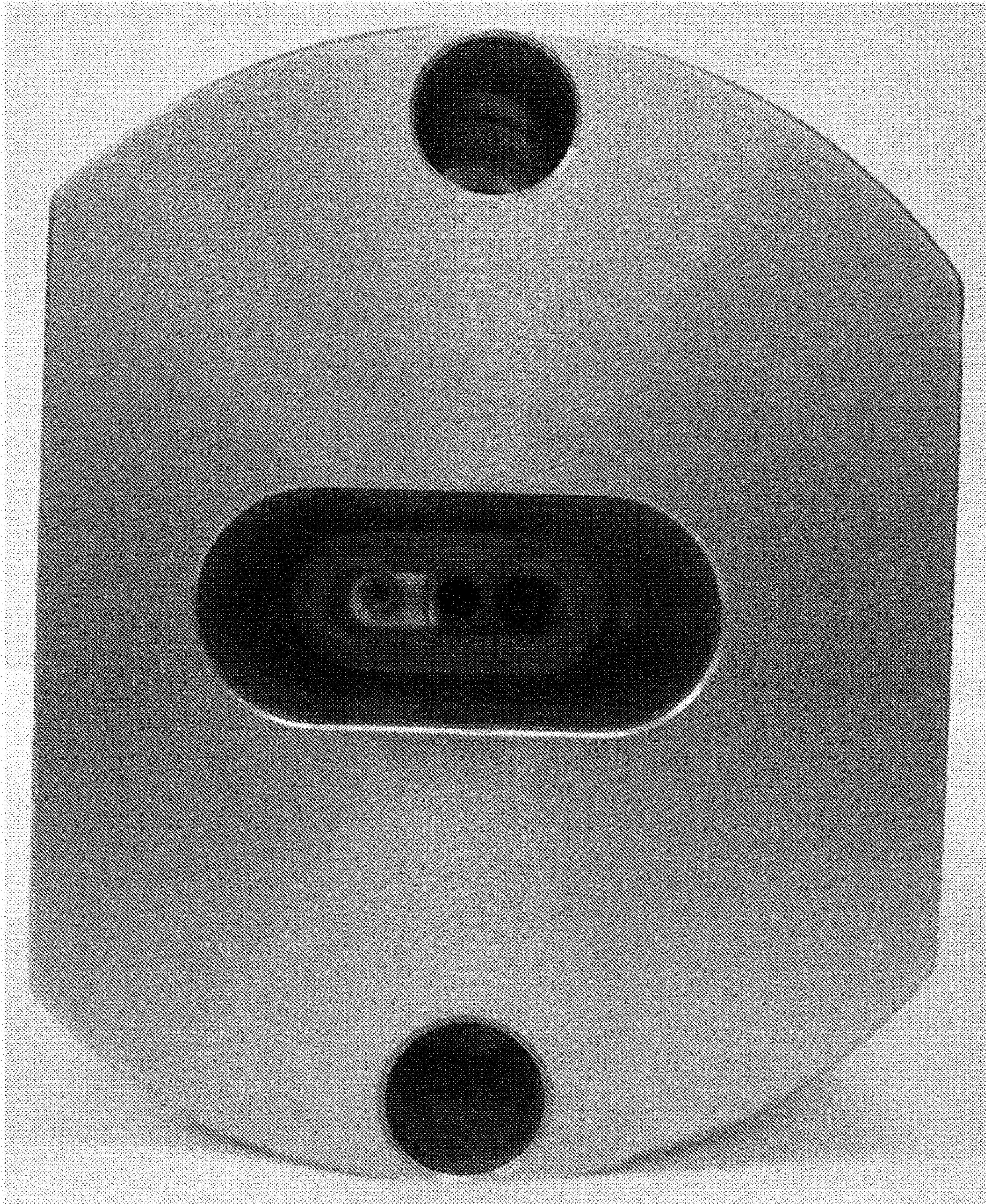
1.3



1.4



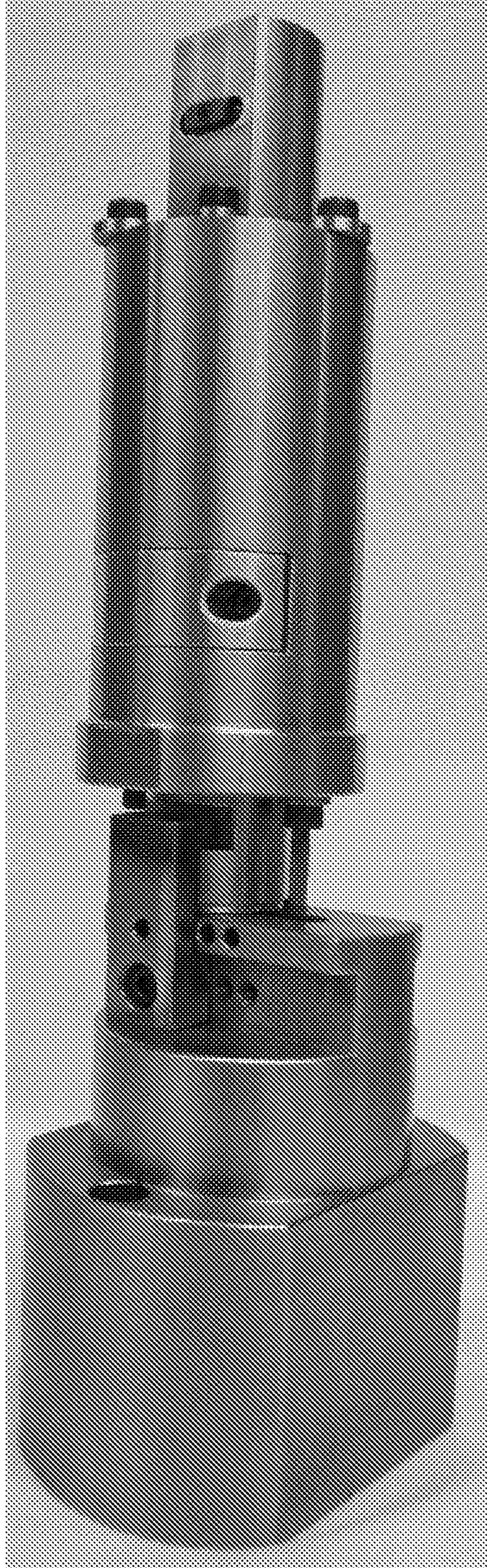
1.5



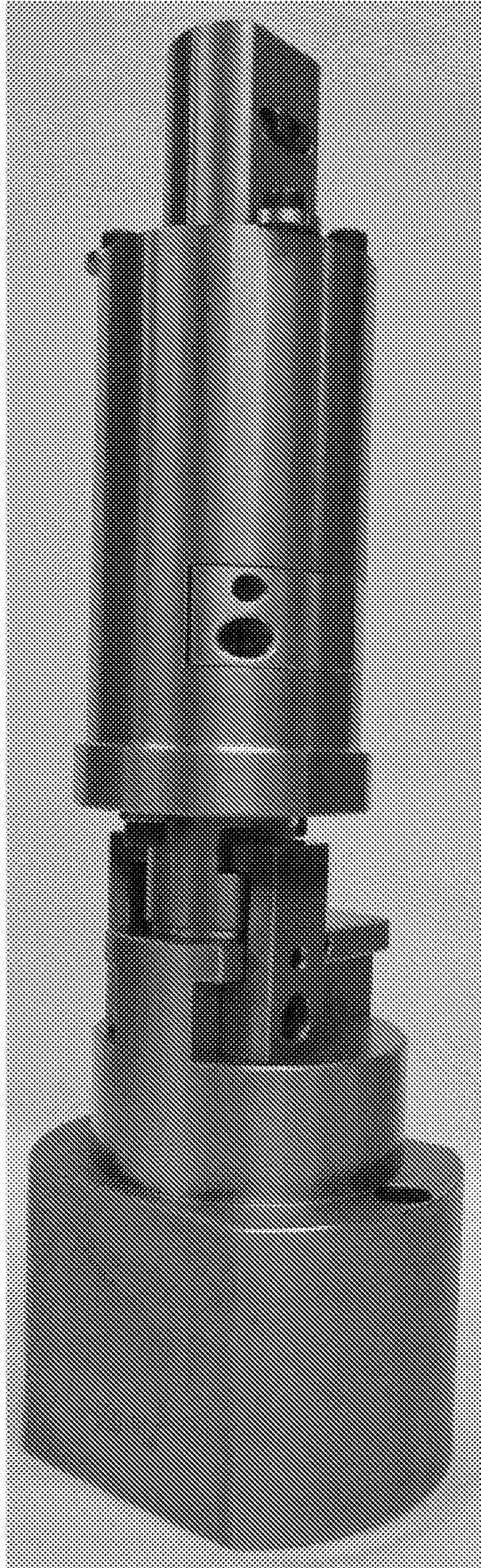
1.6



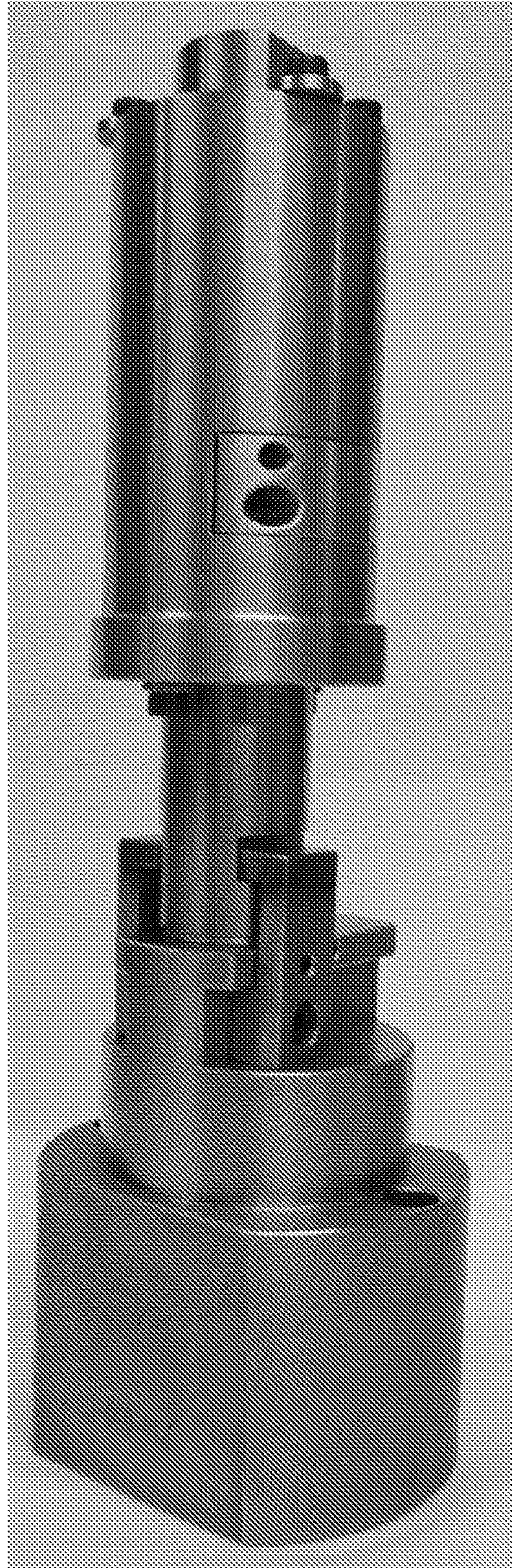
1.7



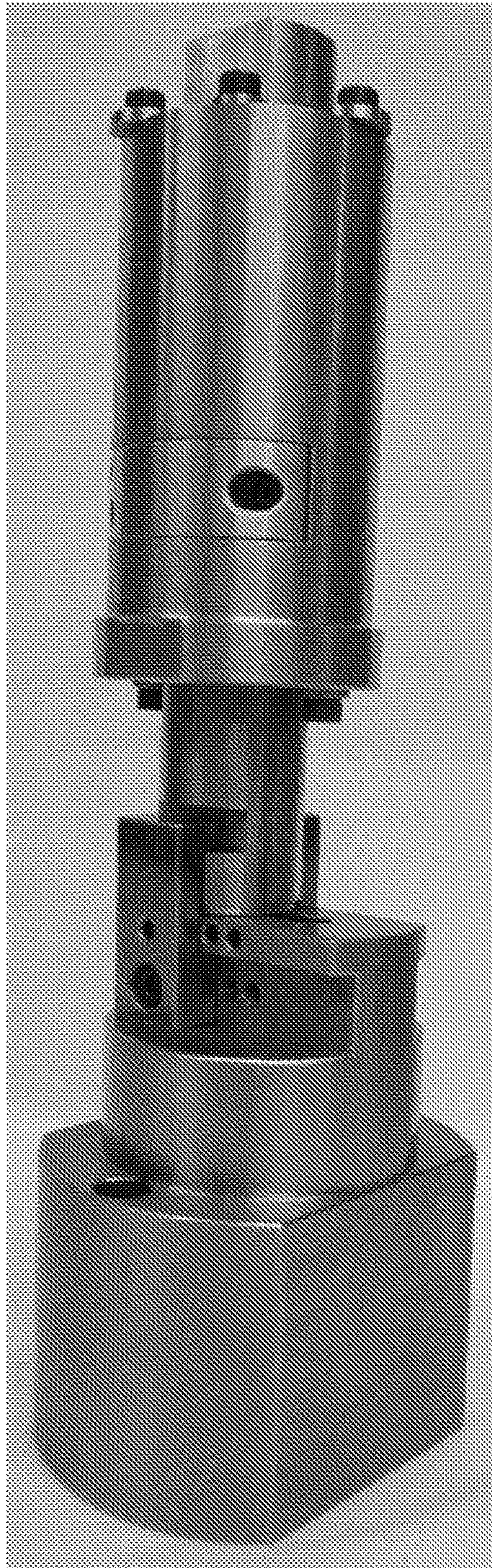
1.8



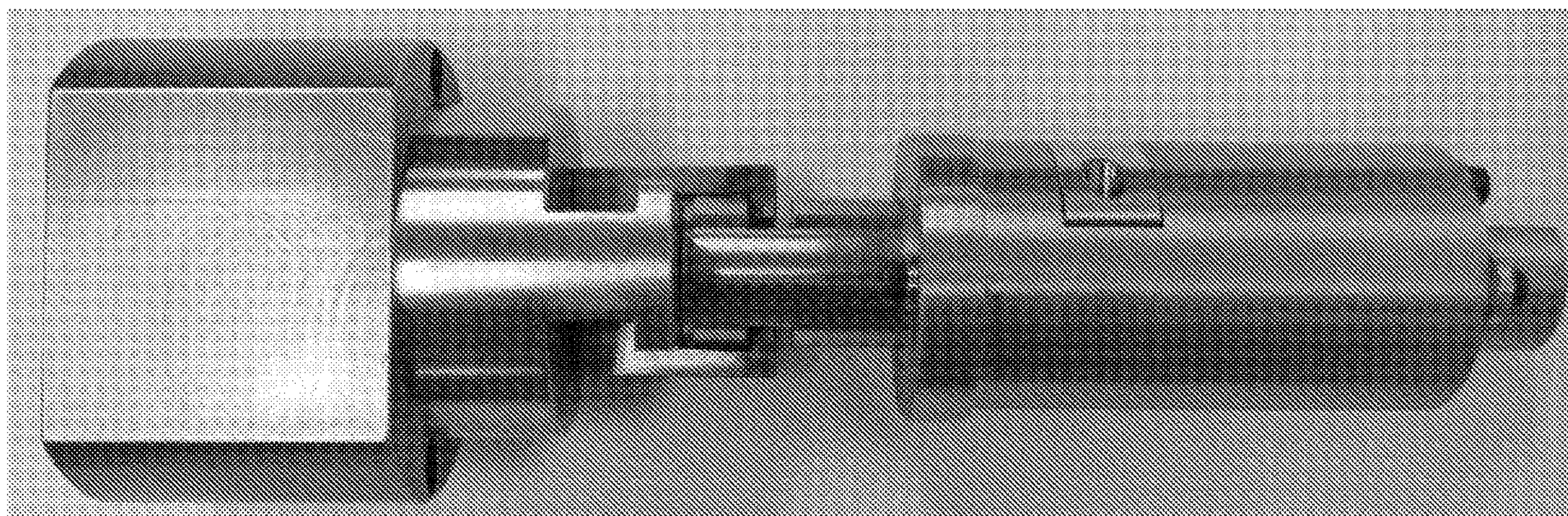
2.1



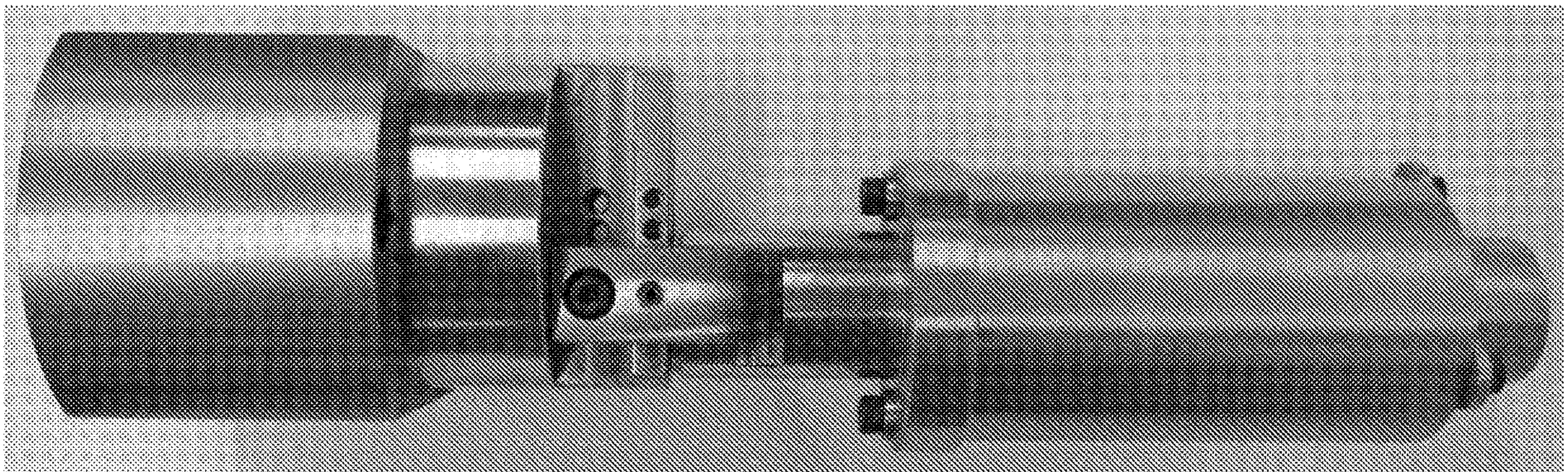
2.2



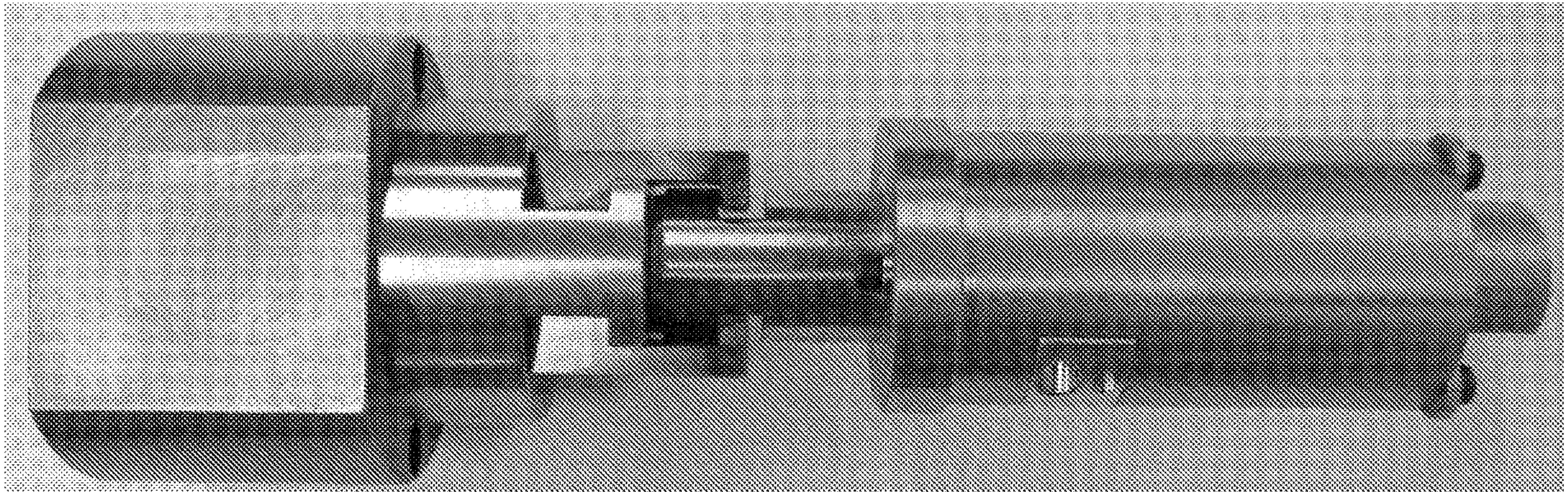
2.3



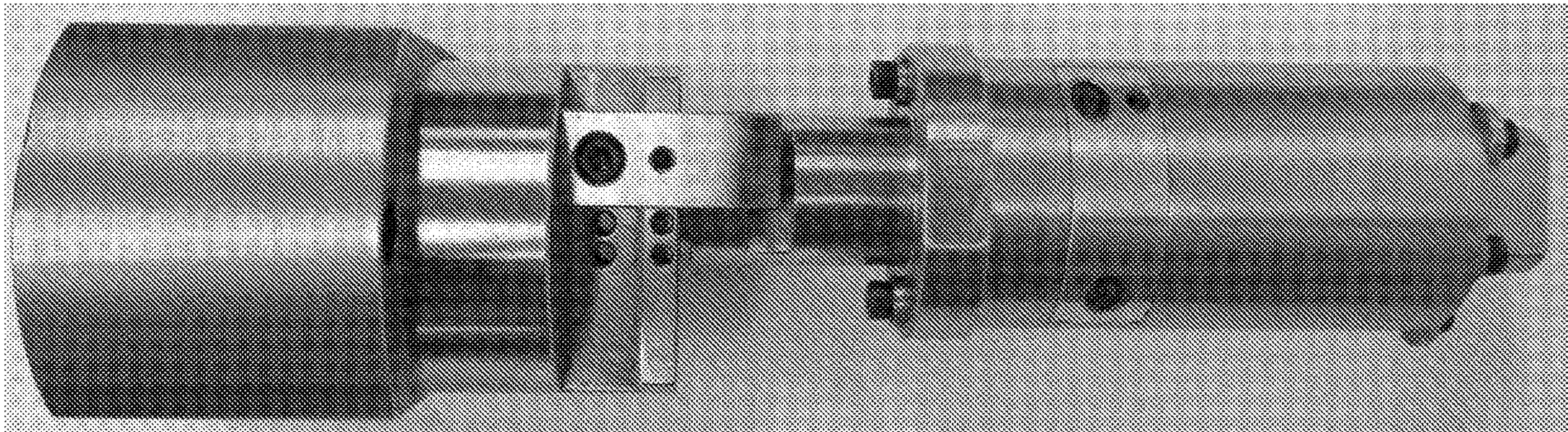
2.4



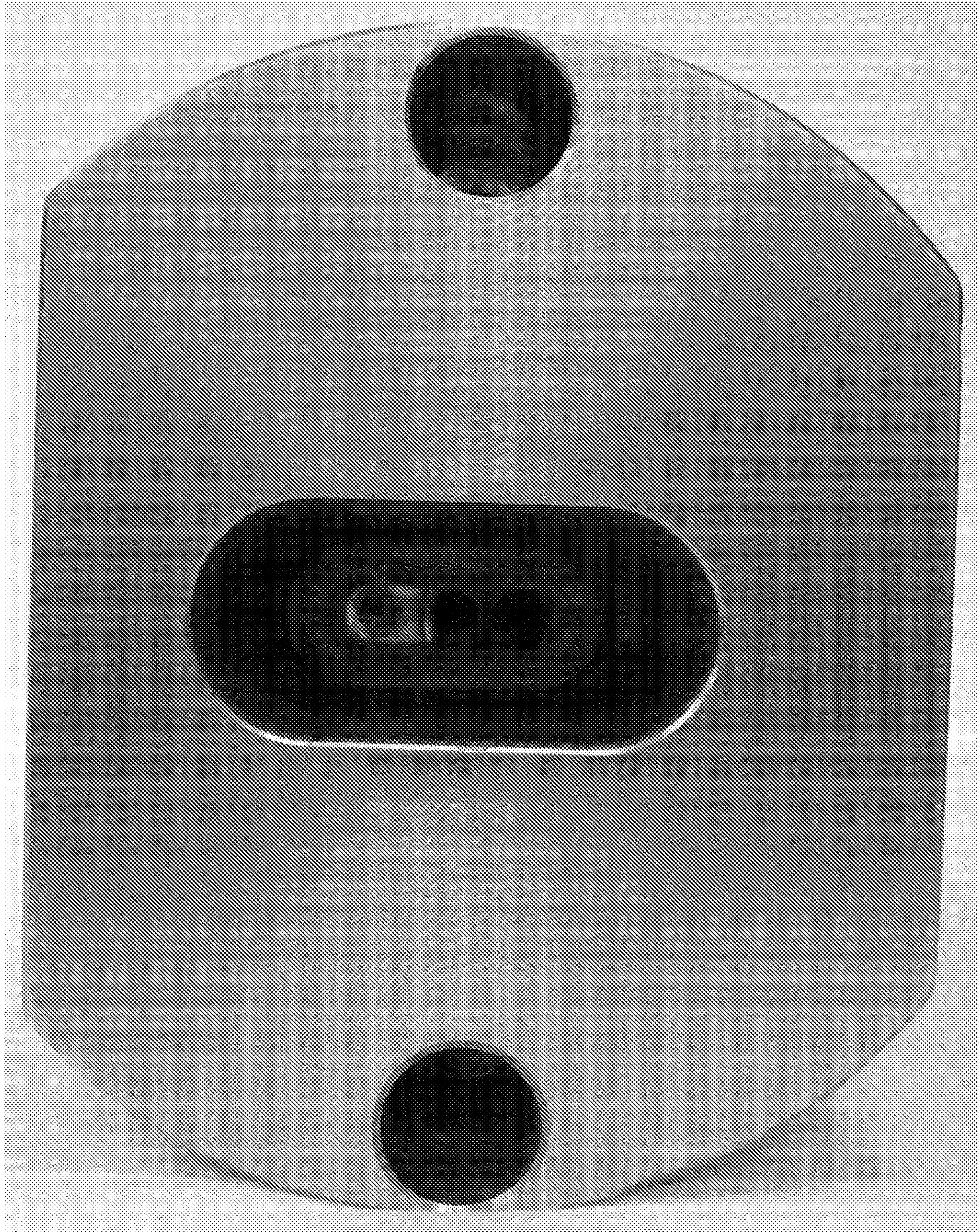
2.5



2.6



2.7



2.8

