



US00D828417S

(12) **United States Design Patent**  
**Stubbs**

(10) **Patent No.:** **US D828,417 S**

(45) **Date of Patent:** **\*\* Sep. 11, 2018**

(54) **CHAINSAW CLEARING TOOTH**

(71) Applicant: **David L. Stubbs**, Hurricane, UT (US)

(72) Inventor: **David L. Stubbs**, Hurricane, UT (US)

(\*\*) Term: **15 Years**

(21) Appl. No.: **29/602,902**

(22) Filed: **May 4, 2017**

(51) **LOC (11) Cl.** ..... **15-09**

(52) **U.S. Cl.**  
USPC ..... **D15/139**

(58) **Field of Classification Search**  
USPC ..... D8/8, 9, 65; D15/138, 139  
CPC ... B27B 33/142; B27B 33/141; B27B 33/144;  
B27B 33/145; B27B 33/148; B27B 33/14;  
B27B 33/00; B23D 65/00; B23D 65/02;  
Y10T 83/9319; Y10T 83/917  
See application file for complete search history.

4,750,395 A \* 6/1988 Doiron ..... B27B 33/141  
83/830

4,903,562 A \* 2/1990 Wunder ..... B27B 33/142  
30/383

6,128,997 A \* 10/2000 Nitschmann ..... B27B 33/14  
30/383

9,610,702 B2 \* 4/2017 Hutsell ..... B27B 33/142  
(Continued)

*Primary Examiner* — Sandra S Snapp  
*Assistant Examiner* — Ieisha N Price  
(74) *Attorney, Agent, or Firm* — Gurr & Brande, PLLC;  
Robert A. Gurr

(57) **CLAIM**

The ornamental design for a chainsaw clearing tooth, as shown and described.

**DESCRIPTION**

FIG. 1 is a right-side perspective view of the chainsaw clearing tooth;

FIG. 2 is a left-side perspective view of the chainsaw clearing tooth;

FIG. 3 is a right-side elevation view of the chainsaw clearing tooth;

FIG. 4 is a top plan view of the chainsaw clearing tooth;

FIG. 5 is a left-side elevation view of the chainsaw clearing tooth;

FIG. 6 is a bottom plan view of the chainsaw clearing tooth.

FIG. 7 is a front elevation view of the chainsaw clearing tooth;

FIG. 8 is a rear elevation view of the chainsaw clearing tooth; and,

FIG. 9 is a side view of the chainsaw clearing tooth as part of a chainsaw chain.

The broken lines shown in the drawings are for the purpose of illustrating environmental matter and unclaimed matter and form no part of the claimed design.

(56) **References Cited**  
U.S. PATENT DOCUMENTS

2,729,987 A \* 1/1956 Bluemink ..... B23D 63/162  
76/37

2,730,143 A \* 1/1956 Ryde ..... B27B 33/142  
83/834

2,774,396 A \* 12/1956 Gommel ..... B27B 33/14  
83/834

2,854,866 A \* 10/1958 Mall ..... B21D 53/00  
72/341

2,986,180 A \* 5/1961 Irgens ..... B27B 33/142  
83/834

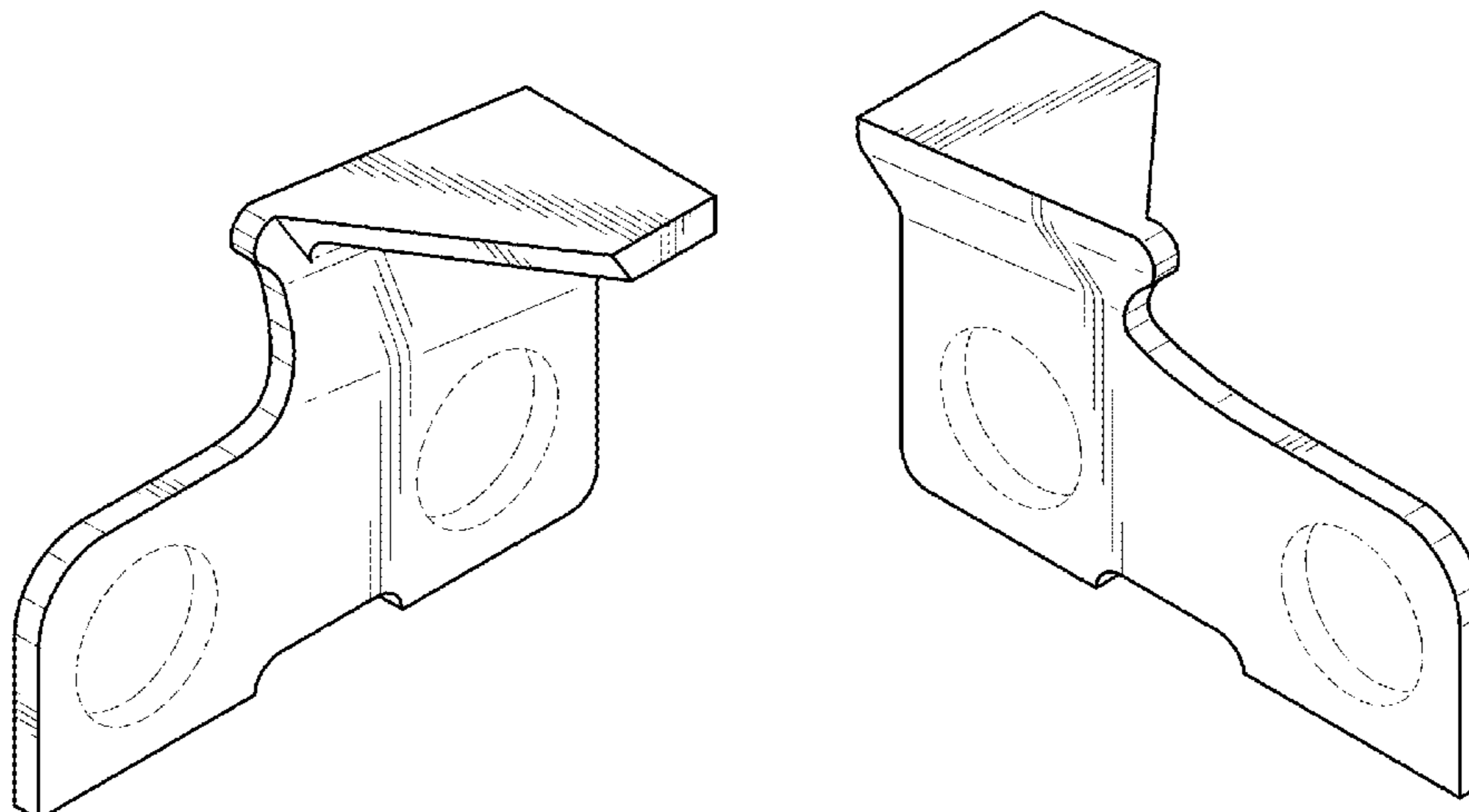
3,346,025 A \* 10/1967 Anderson ..... B27B 33/14  
83/833

3,467,155 A \* 9/1969 McKinney ..... B27B 33/142  
407/118

4,088,047 A \* 5/1978 Ratz ..... B23D 65/00  
72/181

4,727,652 A \* 3/1988 Malet ..... B27B 17/02  
30/383

**1 Claim, 4 Drawing Sheets**



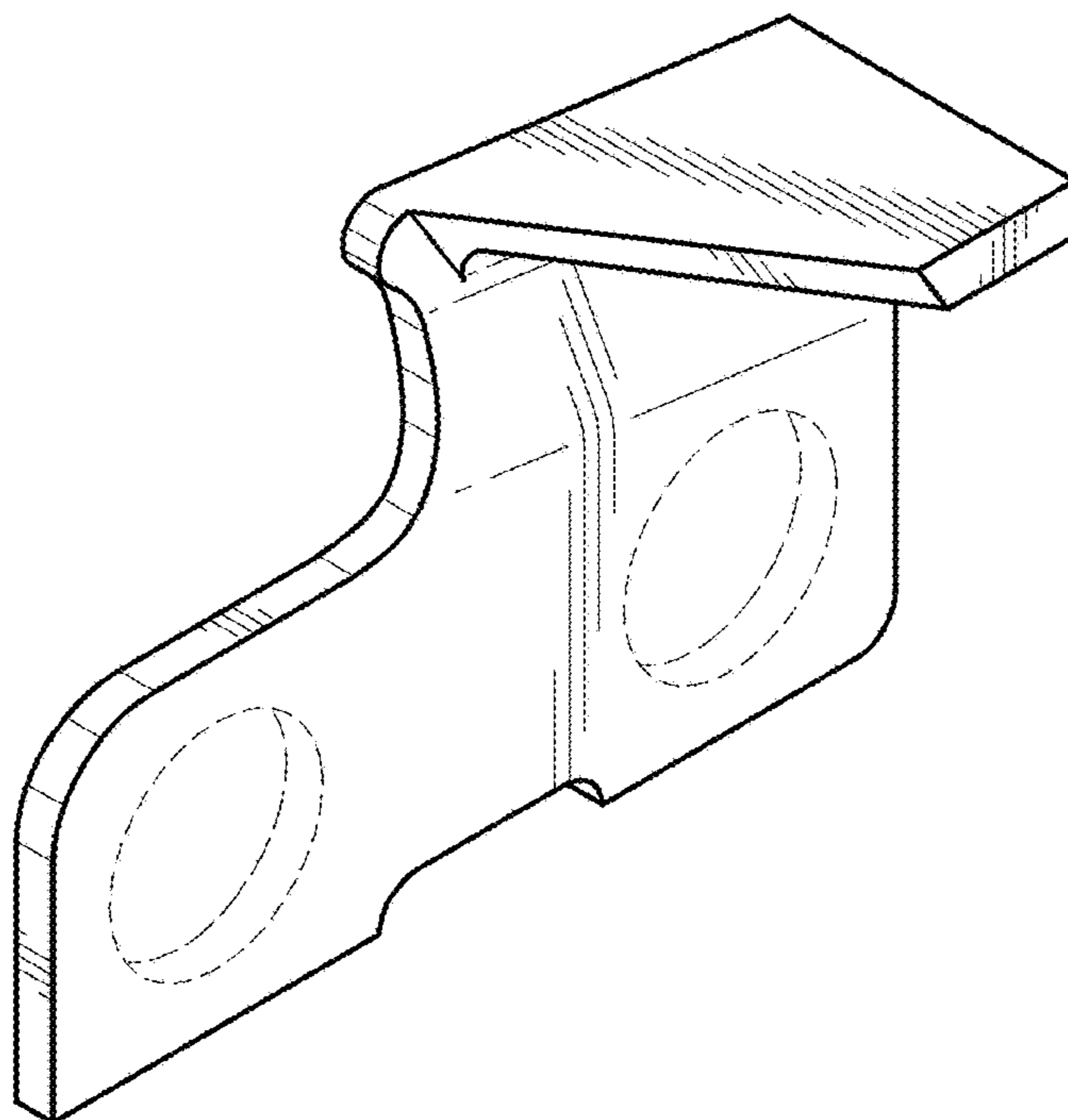
(56)

**References Cited**

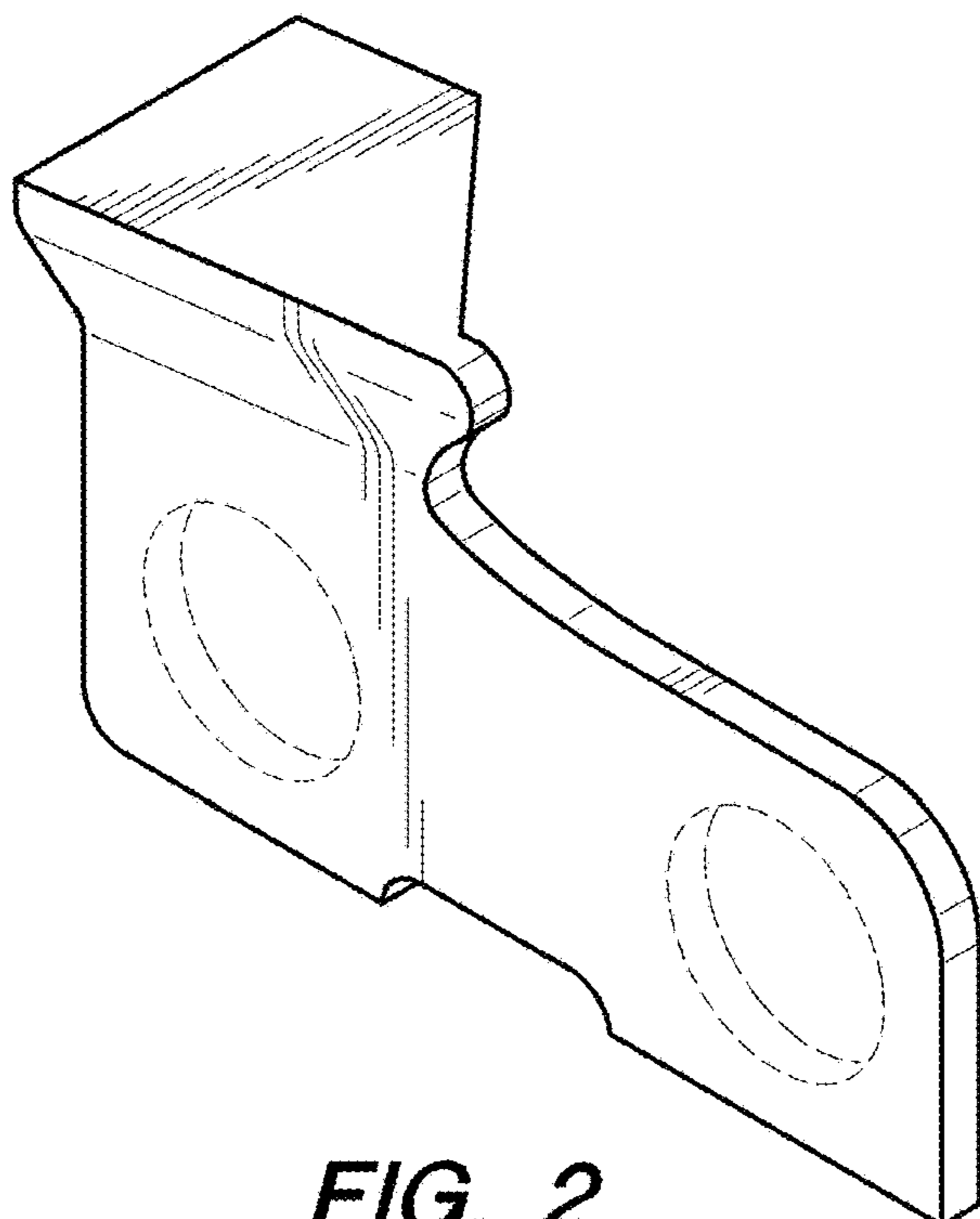
U.S. PATENT DOCUMENTS

2003/0213344 A1\* 11/2003 Andress ..... B23D 63/16  
83/13  
2005/0178263 A1\* 8/2005 Szymanski ..... B27B 33/144  
83/831  
2009/0107317 A1\* 4/2009 Kewes ..... B27B 33/142  
83/831  
2014/0090532 A1\* 4/2014 Goettel ..... B23D 63/164  
83/174  
2015/0183124 A1\* 7/2015 Schell ..... B27B 33/142  
83/834  
2016/0121511 A1\* 5/2016 Hutsell ..... B27B 33/142  
83/834  
2016/0193749 A1\* 7/2016 Seigneur ..... B27B 33/14  
83/830  
2018/0065271 A1\* 3/2018 Sarius ..... B27B 33/142

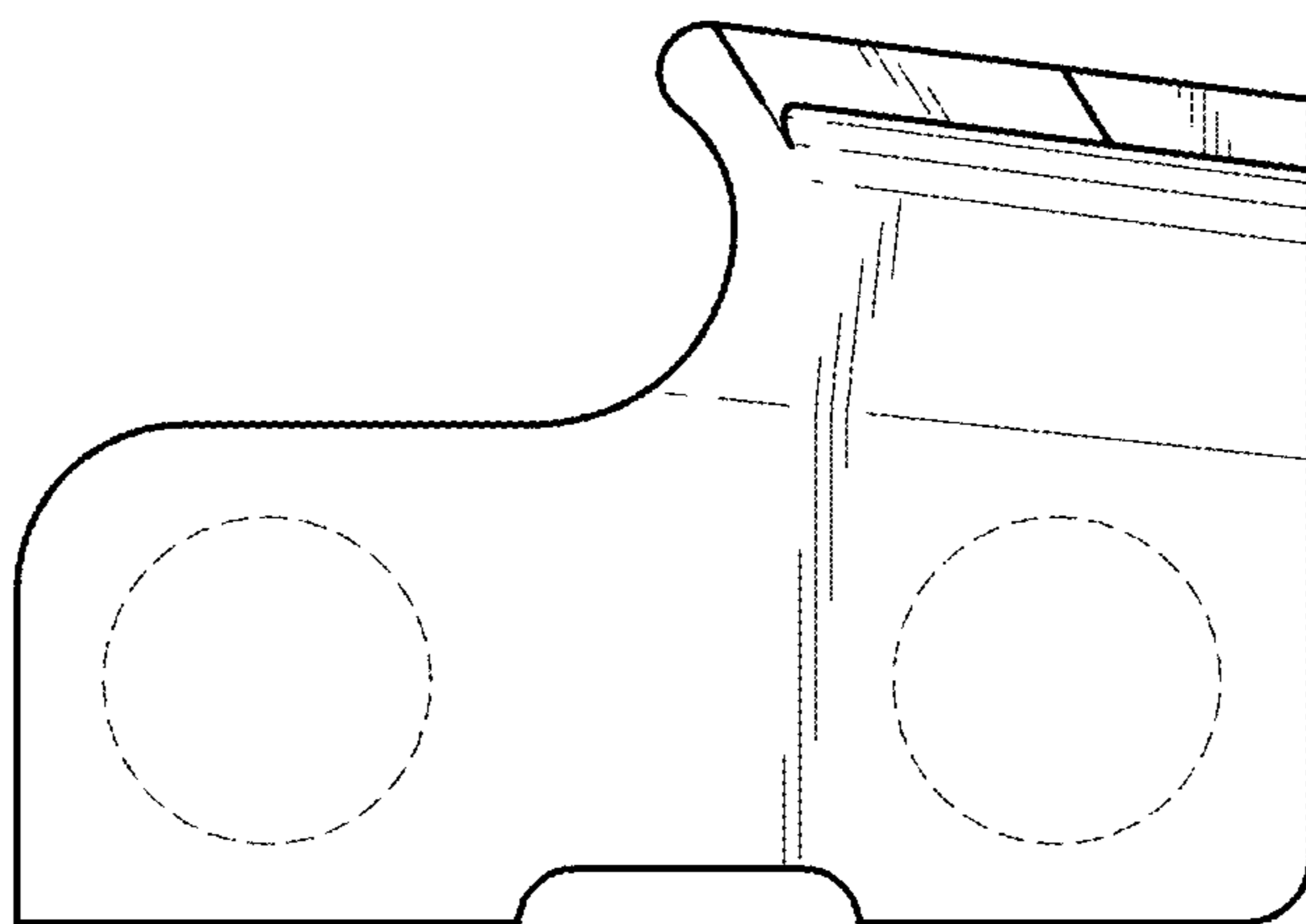
\* cited by examiner



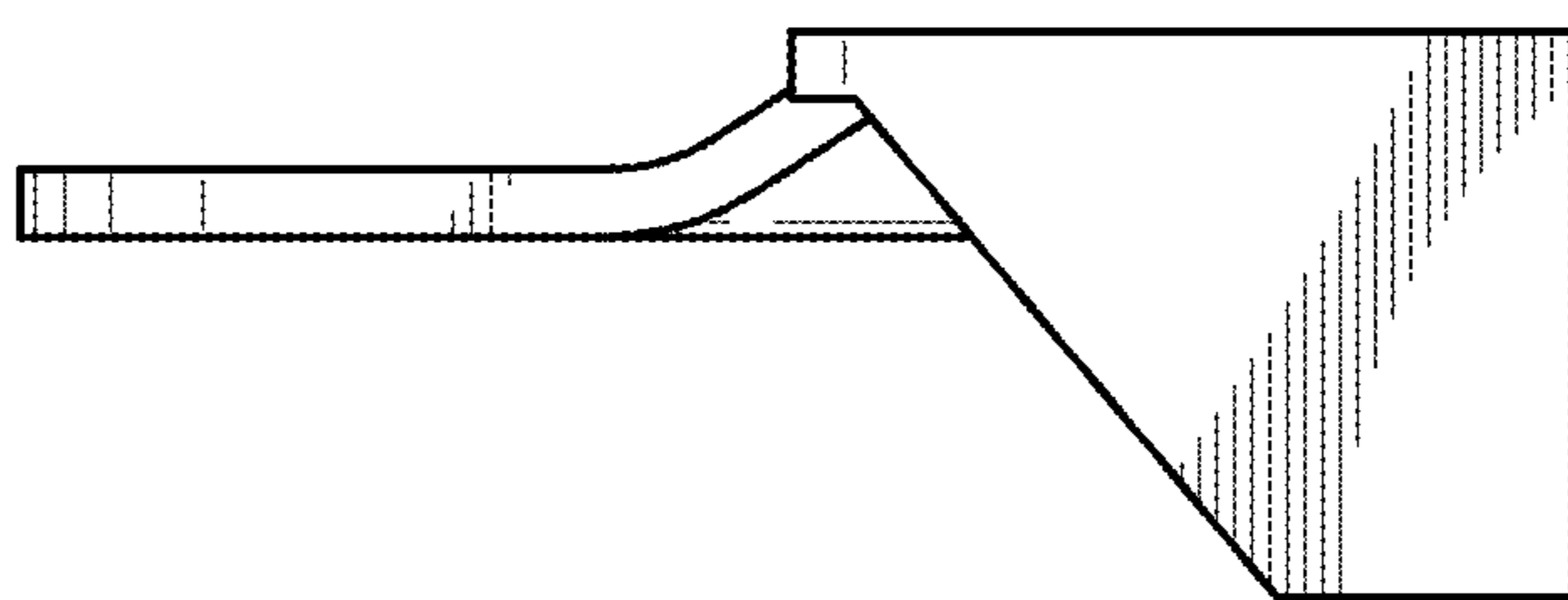
**FIG. 1**



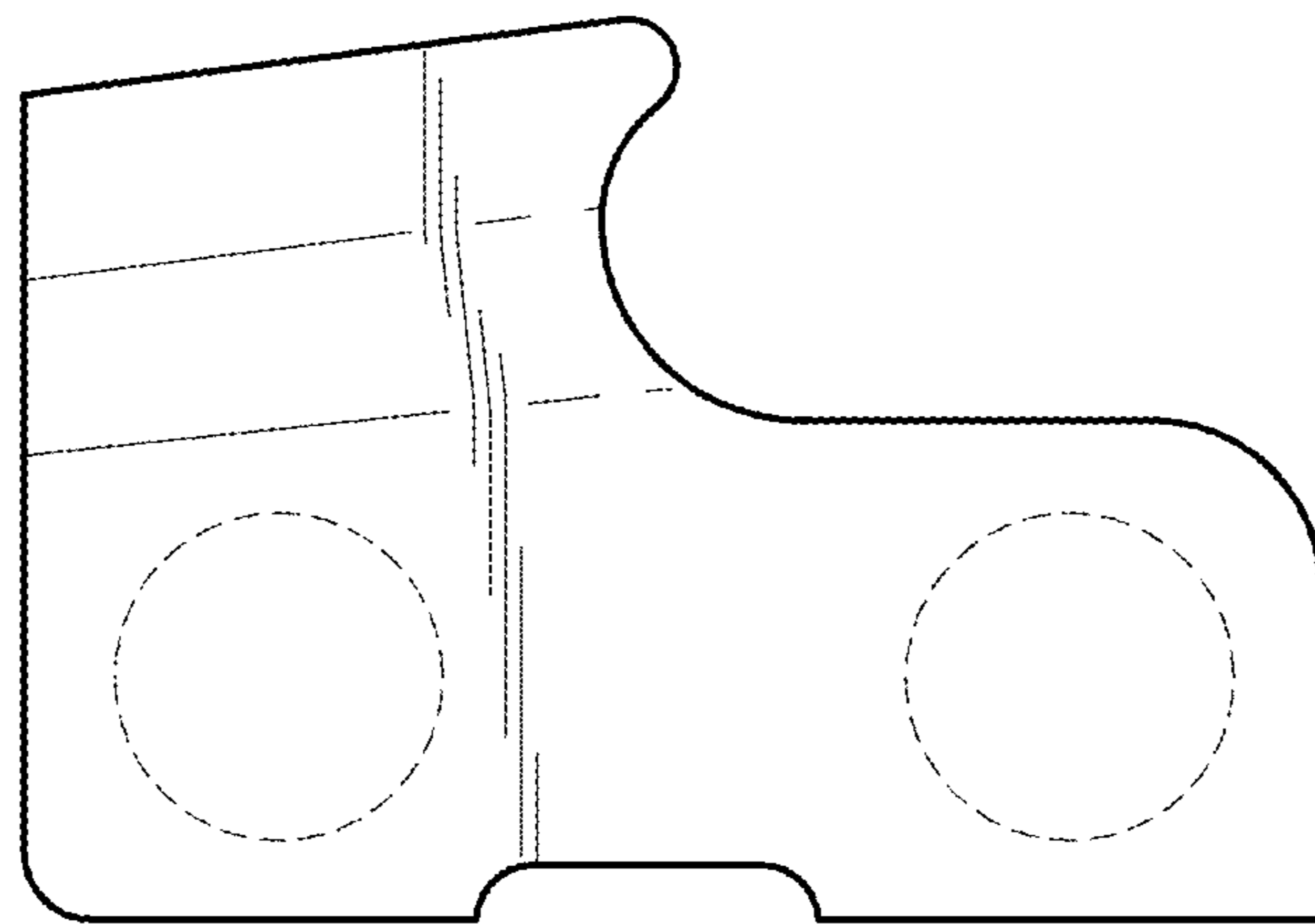
**FIG. 2**



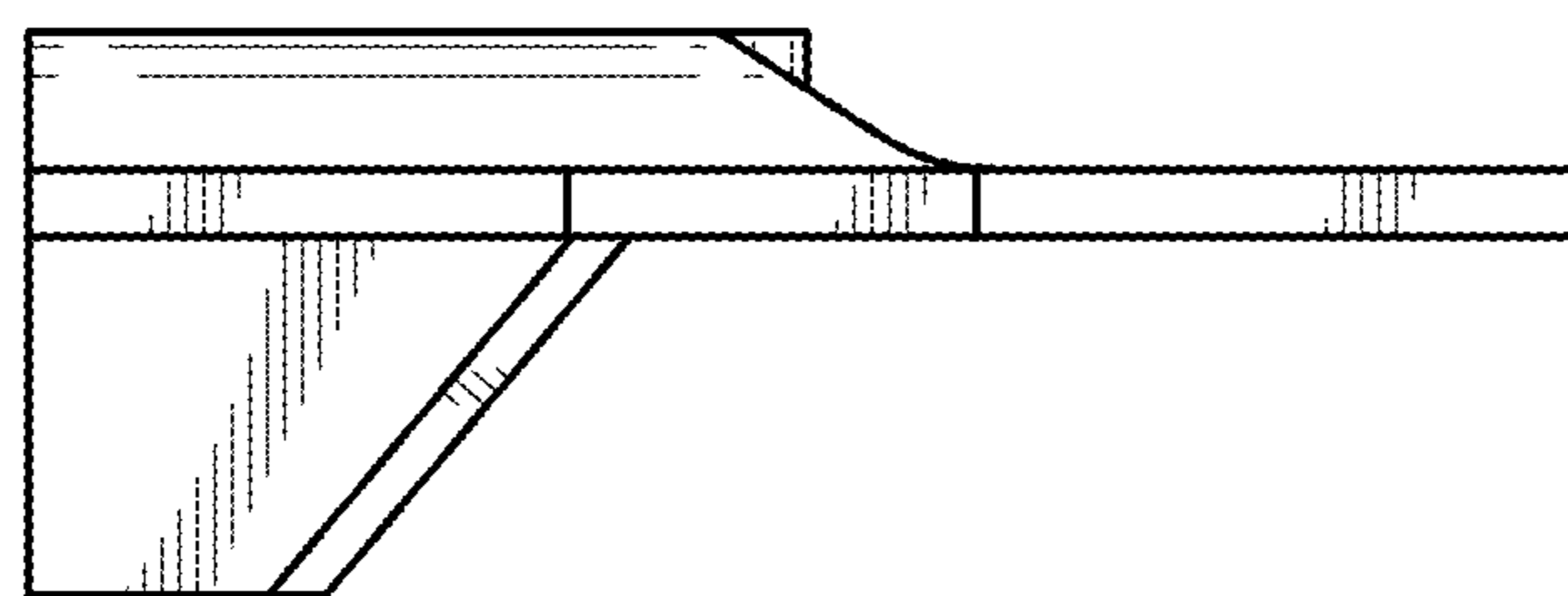
**FIG. 3**



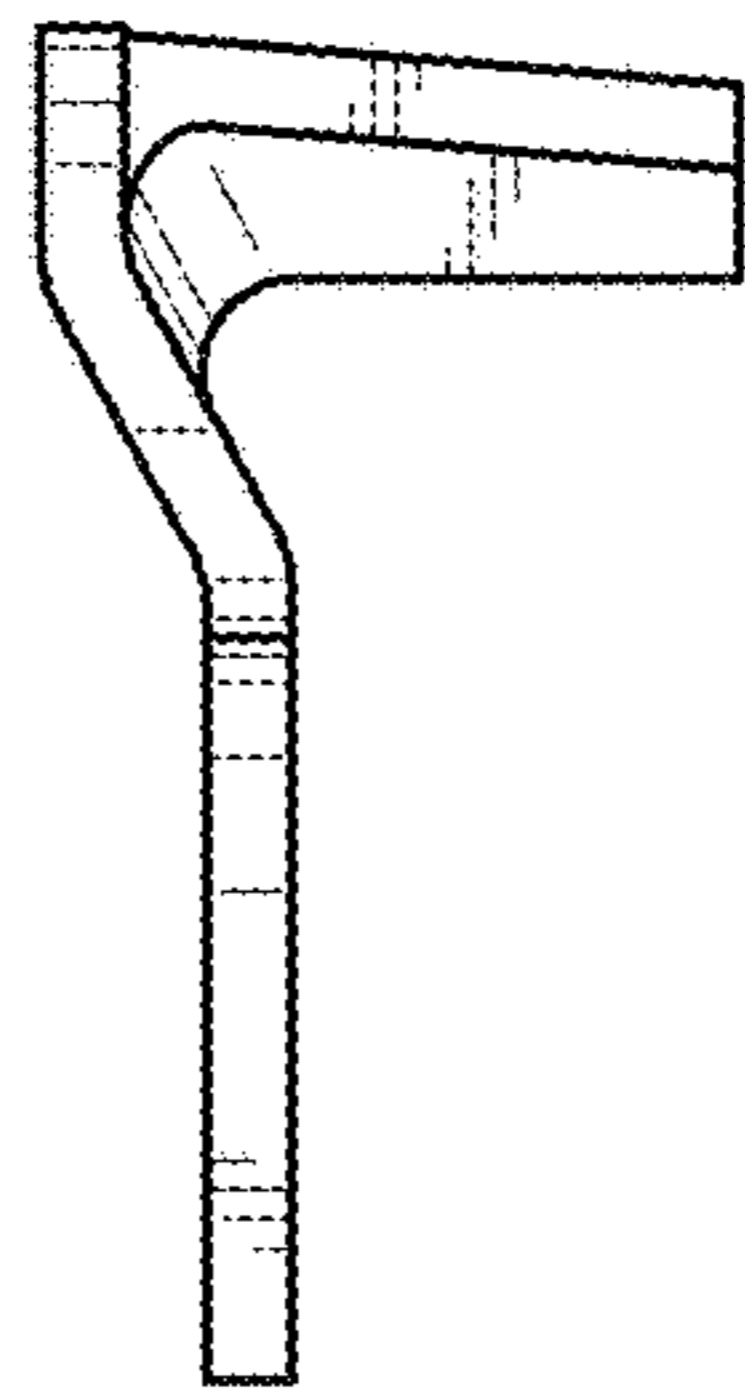
**FIG. 4**



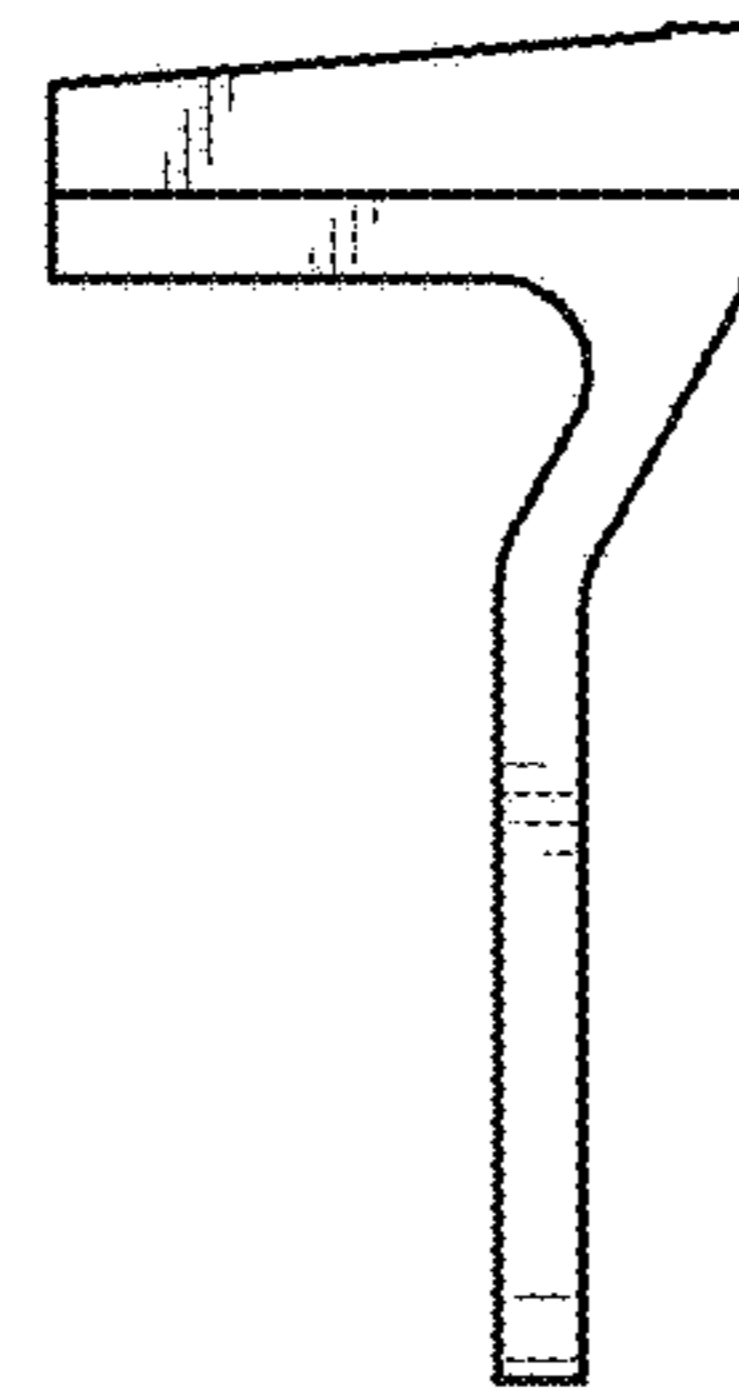
**FIG. 5**



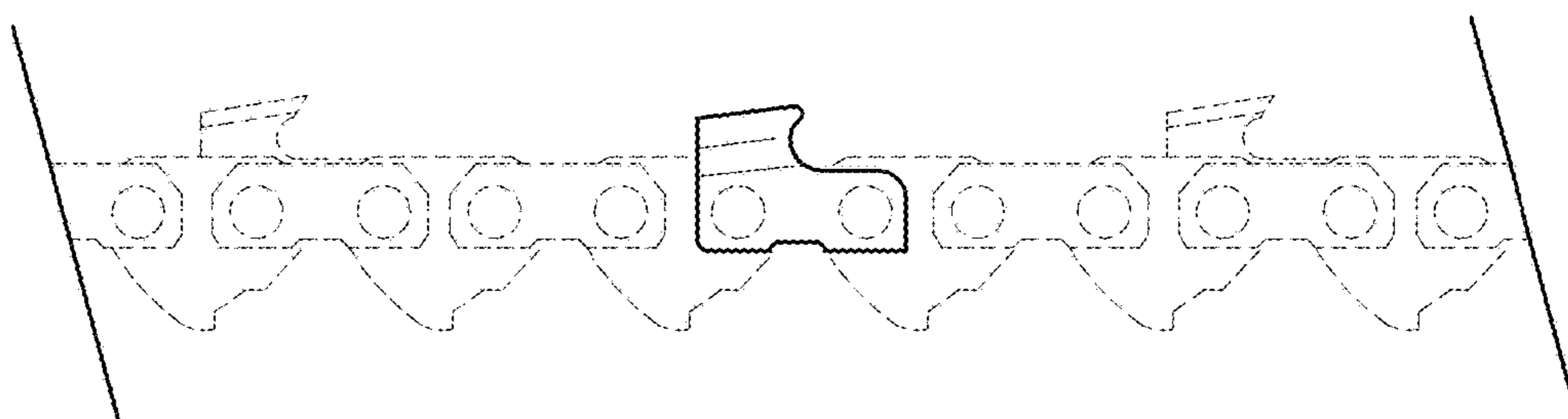
**FIG. 6**



**FIG. 7**



**FIG. 8**



**FIG. 9**