



US00D828414S

(12) **United States Design Patent**
Takahashi et al.

(10) **Patent No.:** **US D828,414 S**
(45) **Date of Patent:** **** Sep. 11, 2018**

(54) **CUTTING INSERT**
(71) Applicant: **Mitsubishi Hitachi Tool Engineering, Ltd., Tokyo (JP)**
(72) Inventors: **Hayato Takahashi, Chiba (JP); Yoshiyuki Kobayashi, Chiba (JP); Shoujirou Touma, Chiba (JP)**
(73) Assignee: **Mitsubishi Hitachi Tool Engineering, Ltd., Tokyo (JP)**
(**) Term: **15 Years**

(21) Appl. No.: **29/586,015**
(22) Filed: **Nov. 30, 2016**

(30) **Foreign Application Priority Data**

Oct. 11, 2016 (JP) 2016-022114
Oct. 11, 2016 (JP) 2016-022115

(51) **LOC (11) Cl.** **15-09**
(52) **U.S. Cl.**
USPC **D15/139**

(58) **Field of Classification Search**
USPC D8/20, 70; D15/126, 131, 138, 139, 140
CPC A01G 23/091; B02C 18/182; B23B 27/14; B23B 27/22; B23B 27/045; B23B 27/141; B23B 27/143; B23B 2200/321; B23C 5/202; B23C 5/207; B23C 5/2221; B23C 2200/085; B23C 2200/125; B23C 2200/286; B23C 2200/0494; B23C 2210/168; B27B 33/08; B27G 13/10; Y10T 407/23; Y10T 407/235; Y10T 407/1924

See application file for complete search history.

(56) **References Cited**

U.S. PATENT DOCUMENTS

5,052,863 A * 10/1991 Satran B23B 51/048 407/113
D347,642 S * 6/1994 Lindberg D15/139

5,368,418 A * 11/1994 Bentjens B23C 5/109 407/114
5,513,931 A * 5/1996 Reiterman B23C 5/109 407/113
5,853,267 A * 12/1998 Satran B23C 5/202 407/113
D404,406 S * 1/1999 Satran D15/139
(Continued)

Primary Examiner — Patricia A Palasik
(74) *Attorney, Agent, or Firm* — Banner & Witcoff, Ltd.

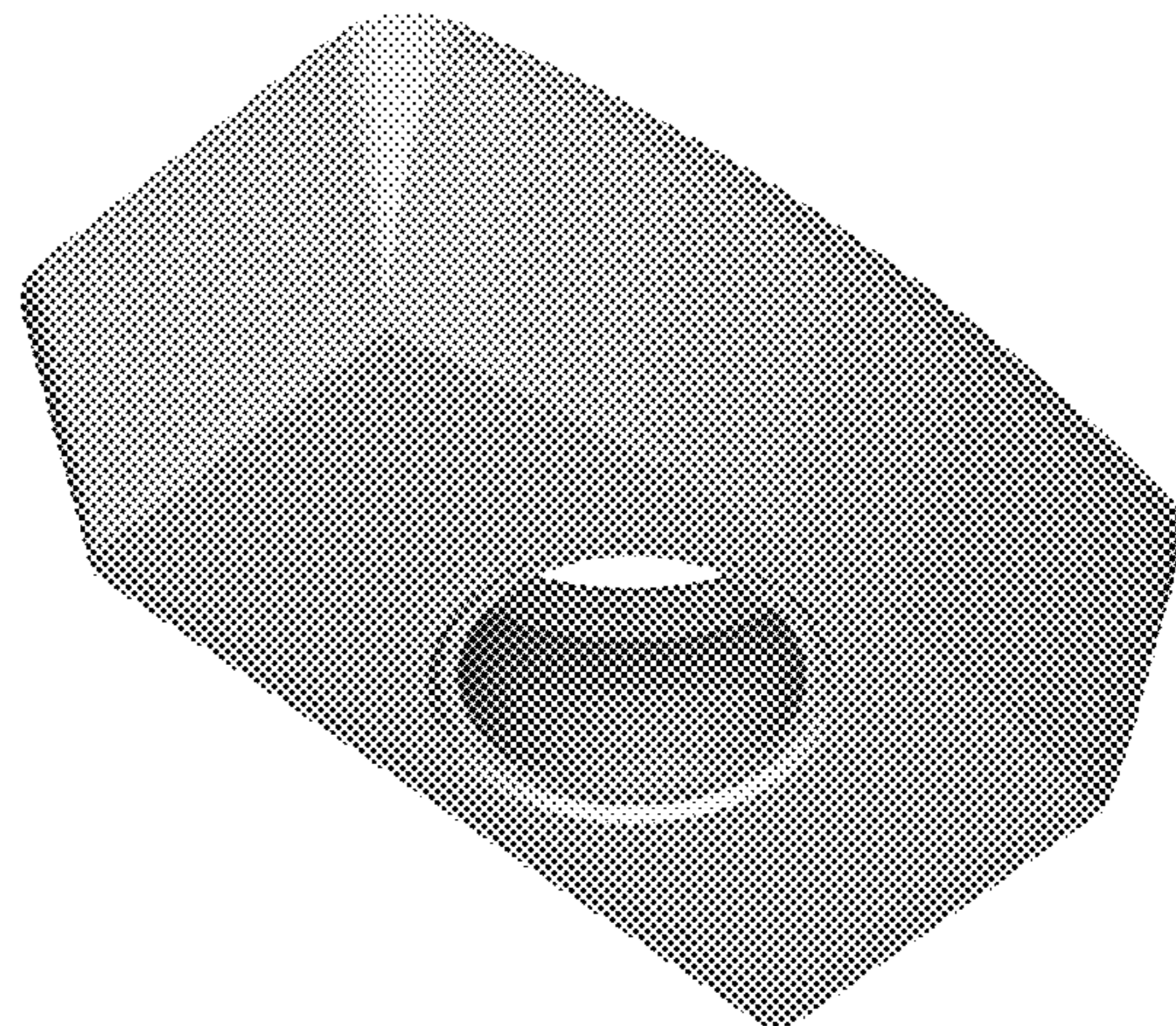
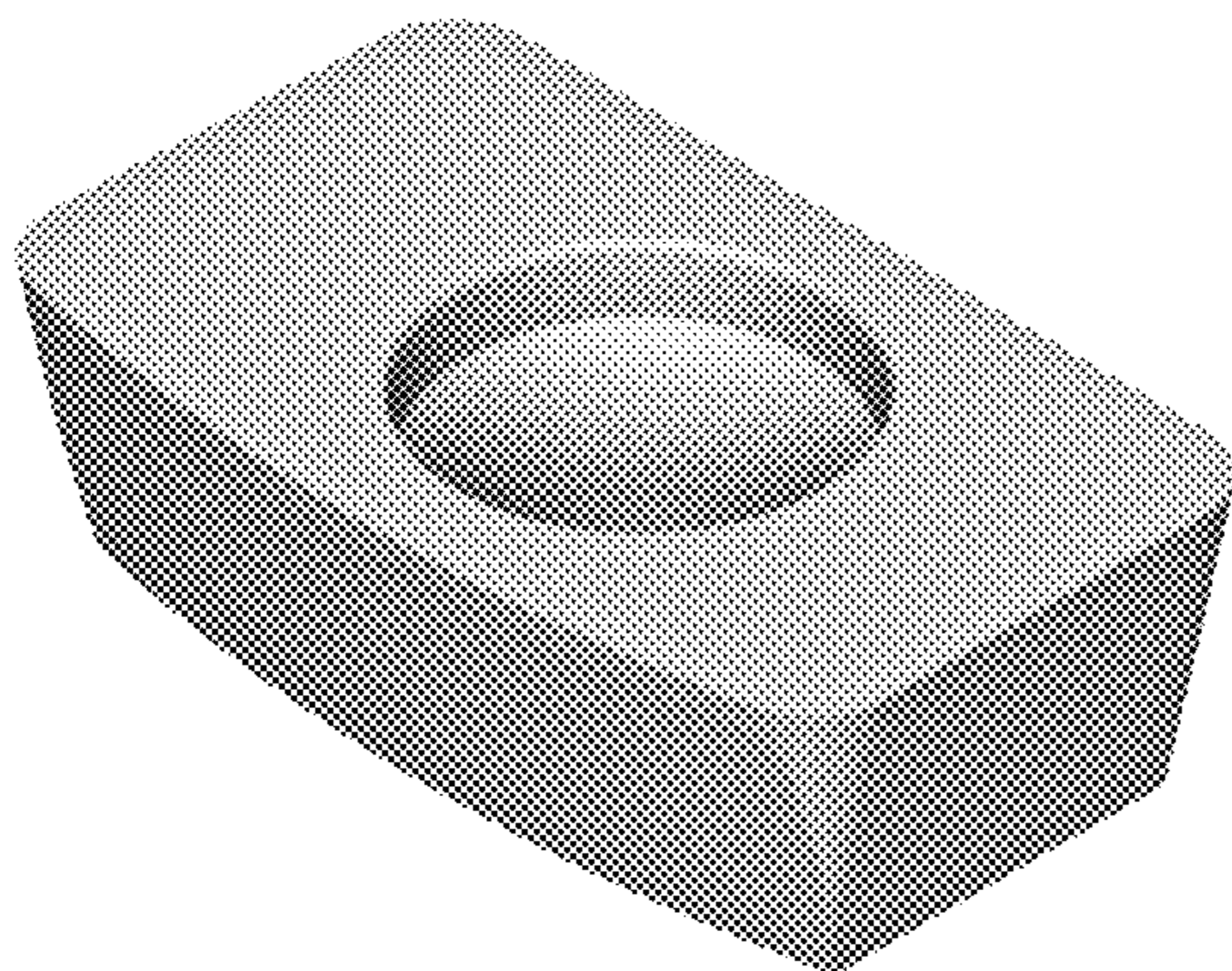
(57) **CLAIM**

The ornamental design for a cutting insert, as shown and described.

DESCRIPTION

FIG. 1 is a perspective view from the front side of a first embodiment of a cutting insert showing our new design; FIG. 2 is a perspective view from the rear side thereof; FIG. 3 is a front elevation view thereof; FIG. 4 is a rear elevation view thereof; FIG. 5 is a top plan view thereof; FIG. 6 is a bottom plan view thereof; FIG. 7 is a right side elevation view thereof; FIG. 8 is a left side elevation view thereof; FIG. 9 is a perspective view from the front side of a second embodiment of a cutting insert showing our new design; FIG. 10 is a perspective view from the rear side thereof; FIG. 11 is a front elevation view thereof; FIG. 12 is a rear elevation view thereof; FIG. 13 is a top plan view thereof; FIG. 14 is a bottom plan view thereof; FIG. 15 is a right side elevation view thereof; and, FIG. 16 is a left side elevation view thereof. Greyscale images of a cutting insert are shown in the figures. The contrast in greyscale represents a contrast in appearance only and does not represent any particular color, material, texture or finish.

1 Claim, 16 Drawing Sheets



(56)

References Cited

U.S. PATENT DOCUMENTS

D486,505	S	*	2/2004	Arvidsson	D15/139
7,168,512	B2	*	1/2007	Schuffenhauer	B23C 5/207
						175/426
D705,281	S	*	5/2014	Heinasenaho	D15/139
D738,412	S	*	9/2015	Choi	D15/139
D748,703	S	*	2/2016	Nam	D15/139
D752,664	S	*	3/2016	Jung	D15/139
D772,318	S	*	11/2016	Nam	D15/139
D772,319	S	*	11/2016	Nam	D15/139
D805,566	S	*	12/2017	Oh	D15/139
D816,744	S	*	5/2018	Lee	D15/139

* cited by examiner

FIG. 1

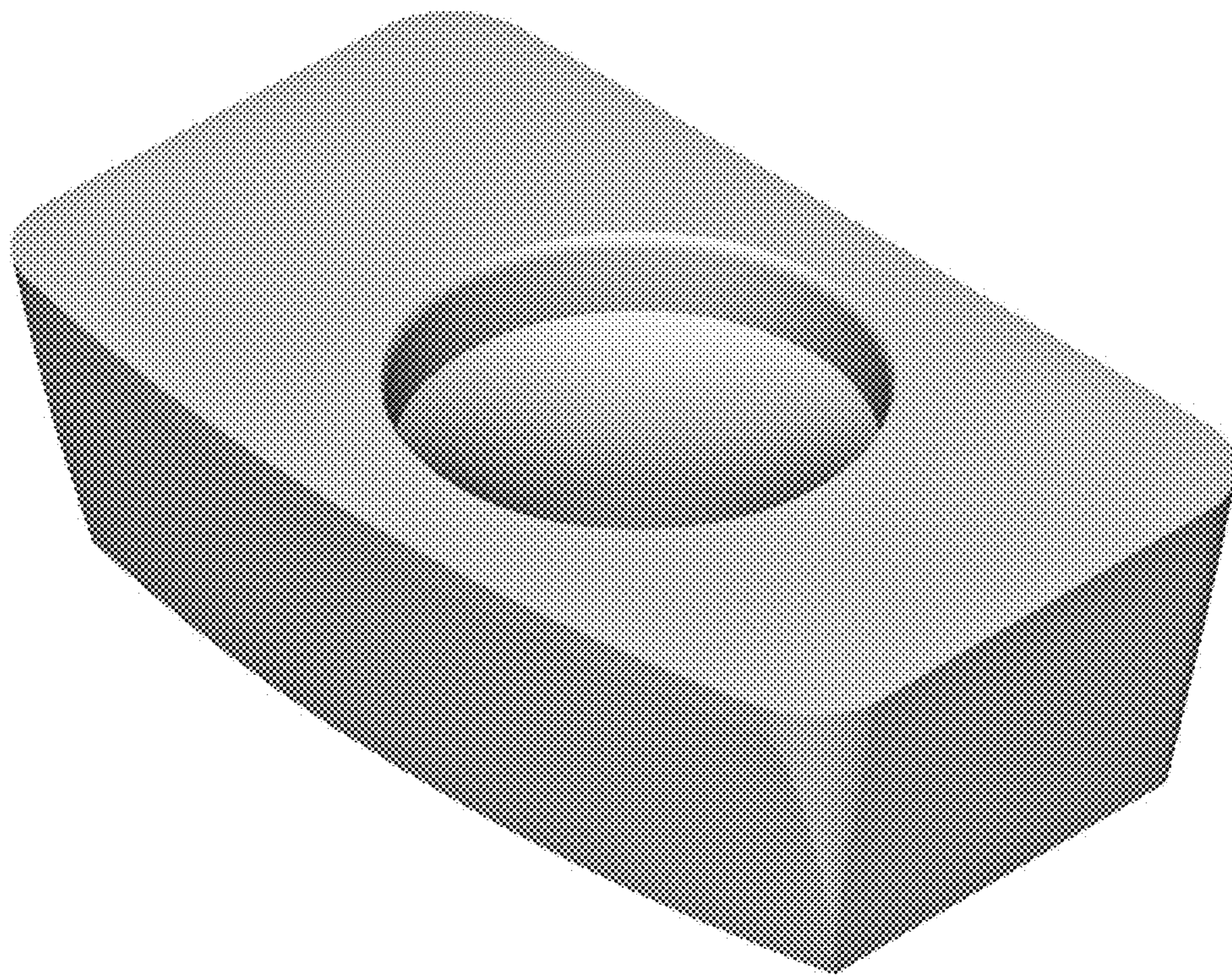


FIG. 2

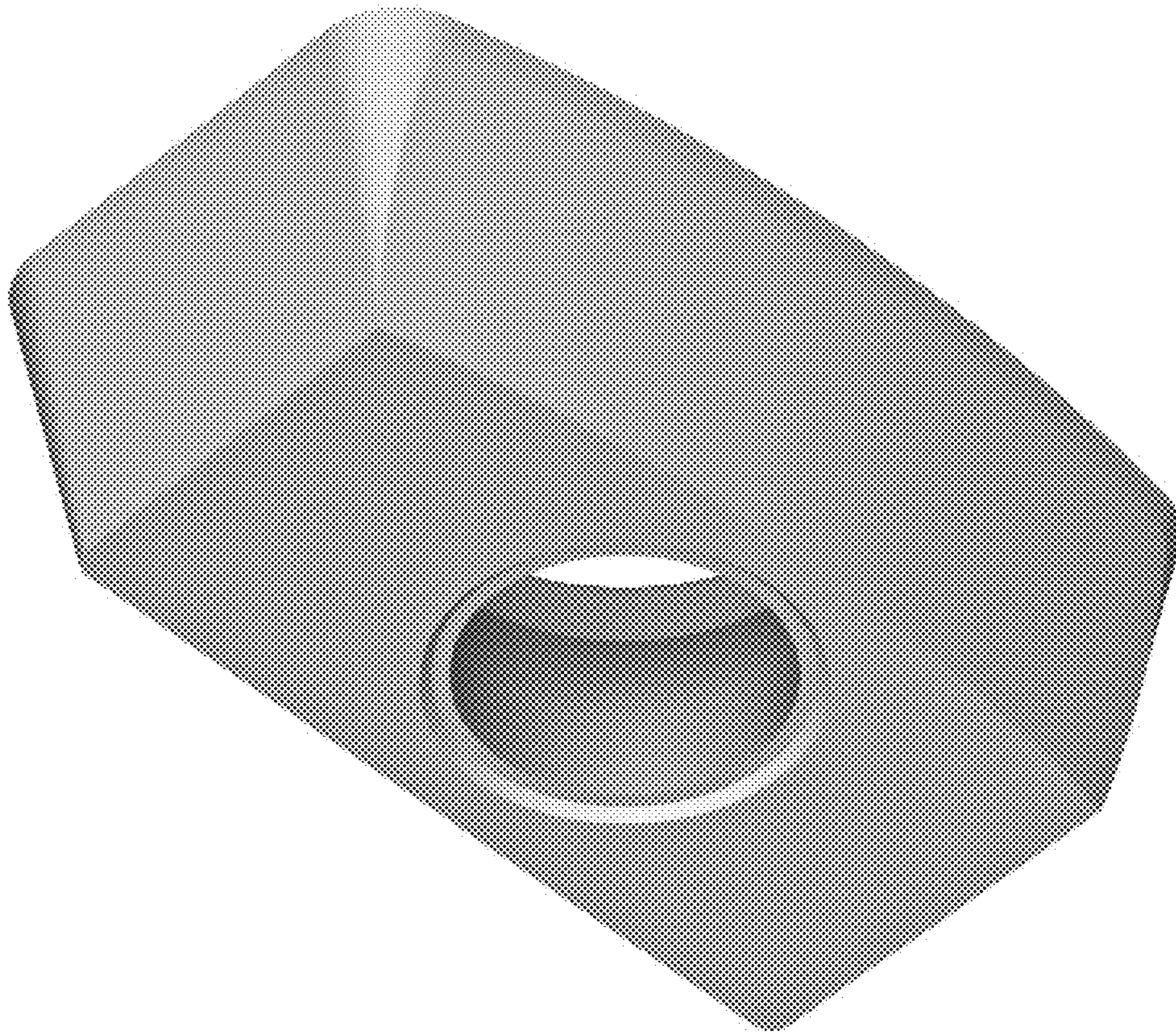


FIG. 3

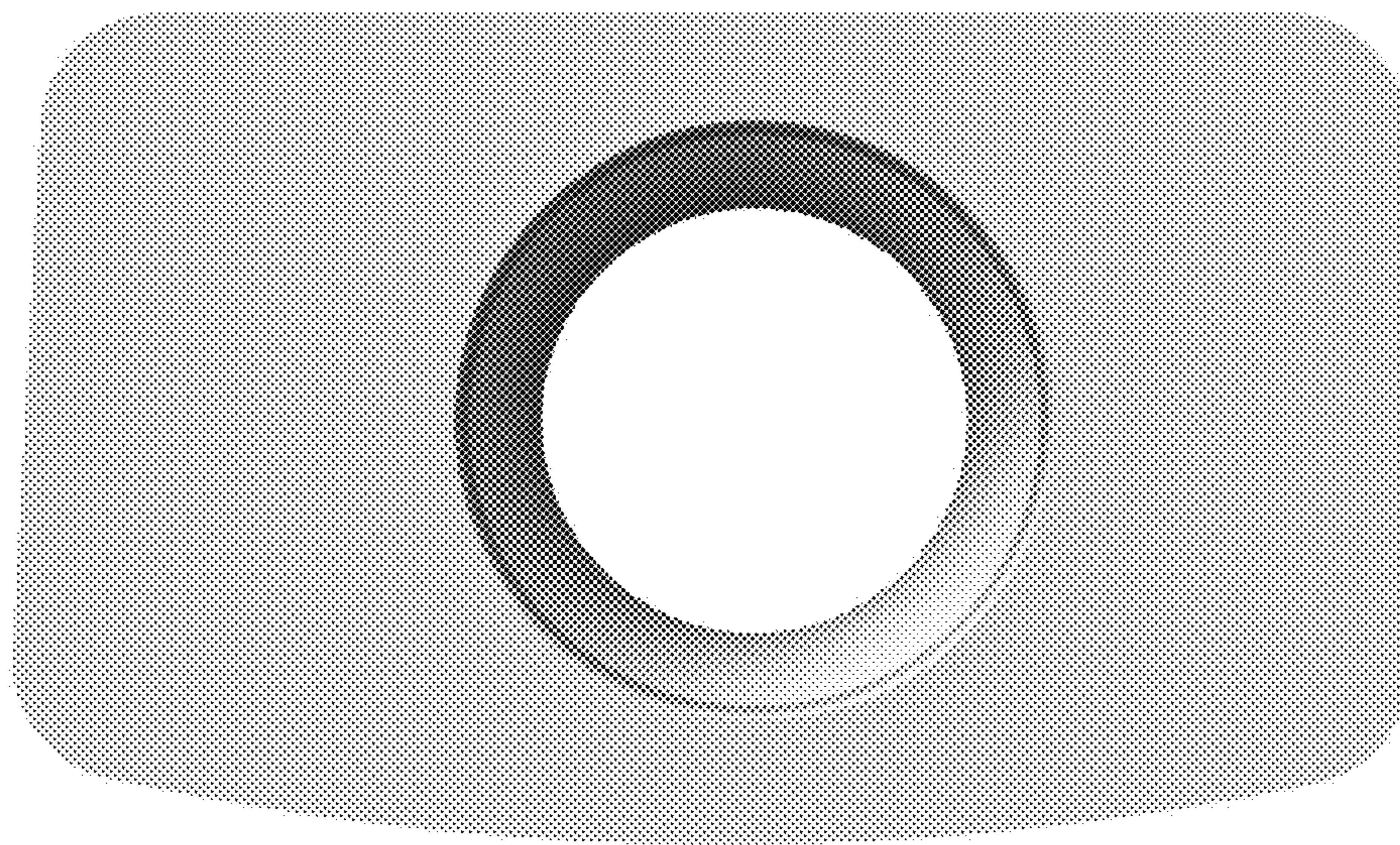


FIG. 4

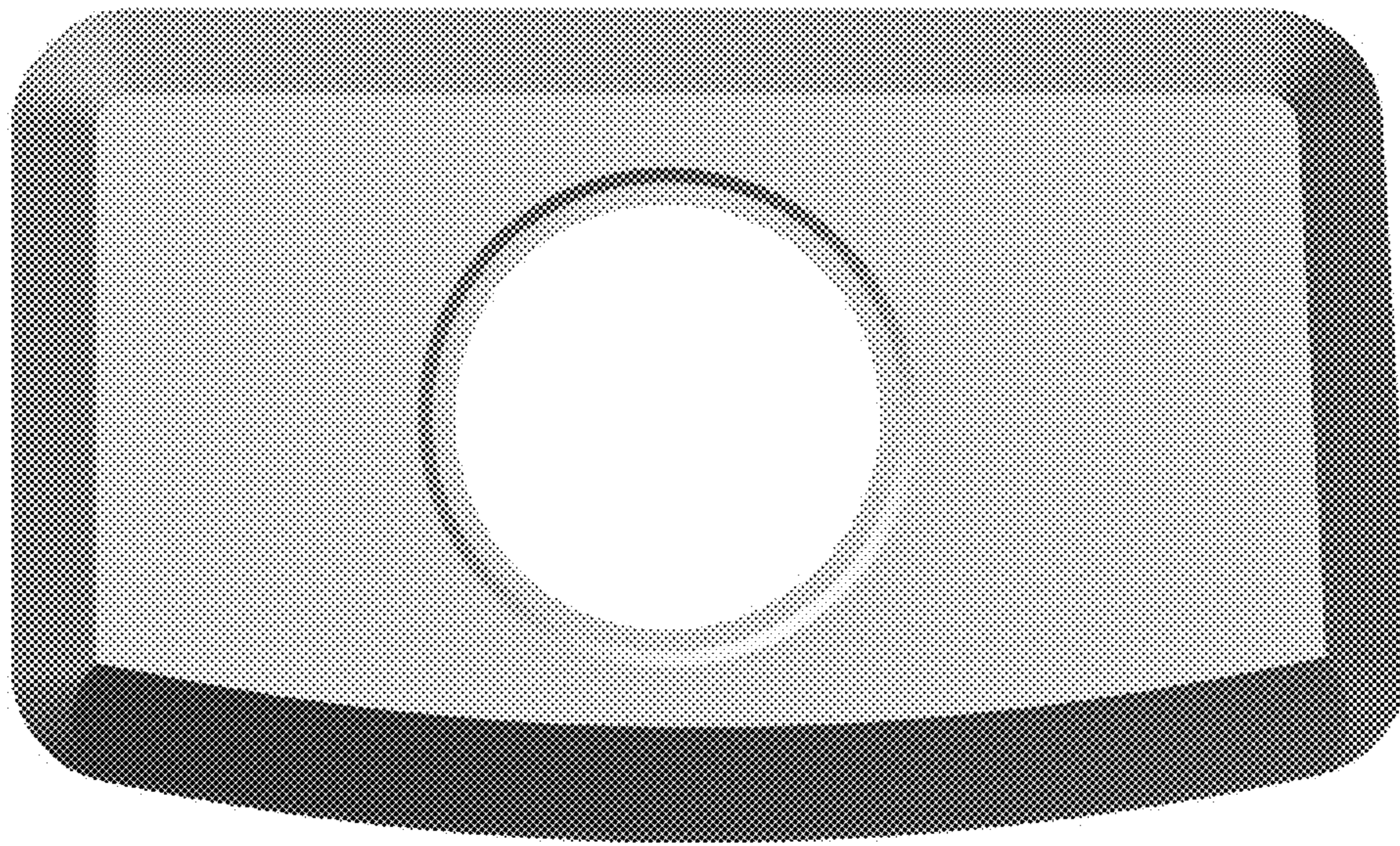


FIG. 5

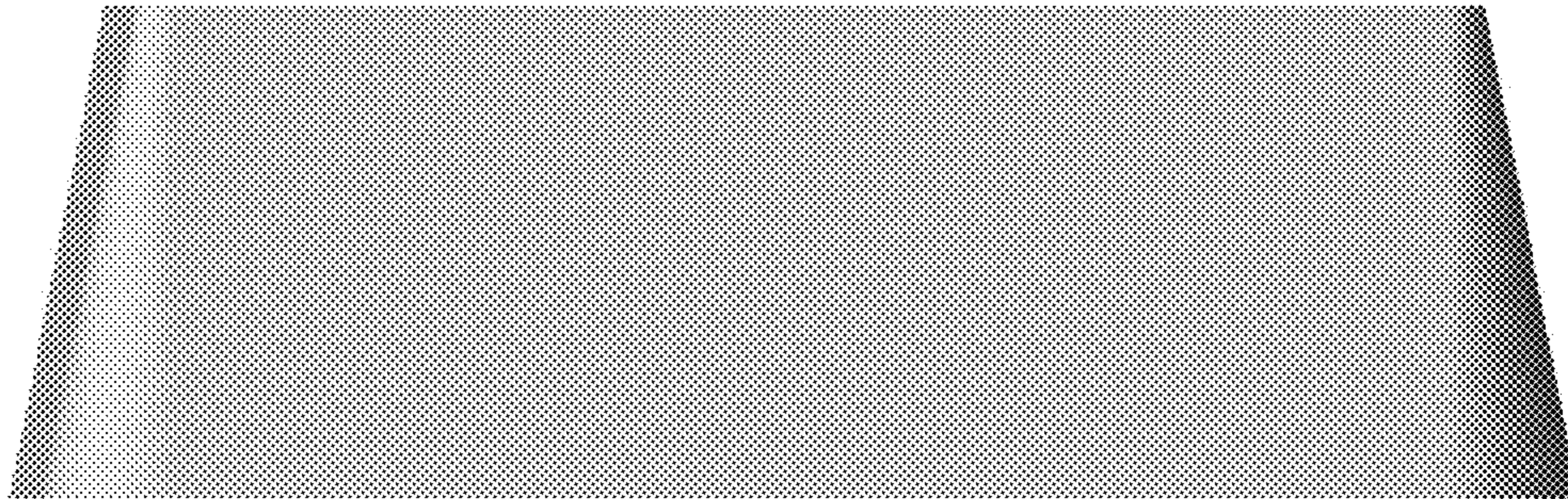


FIG. 6

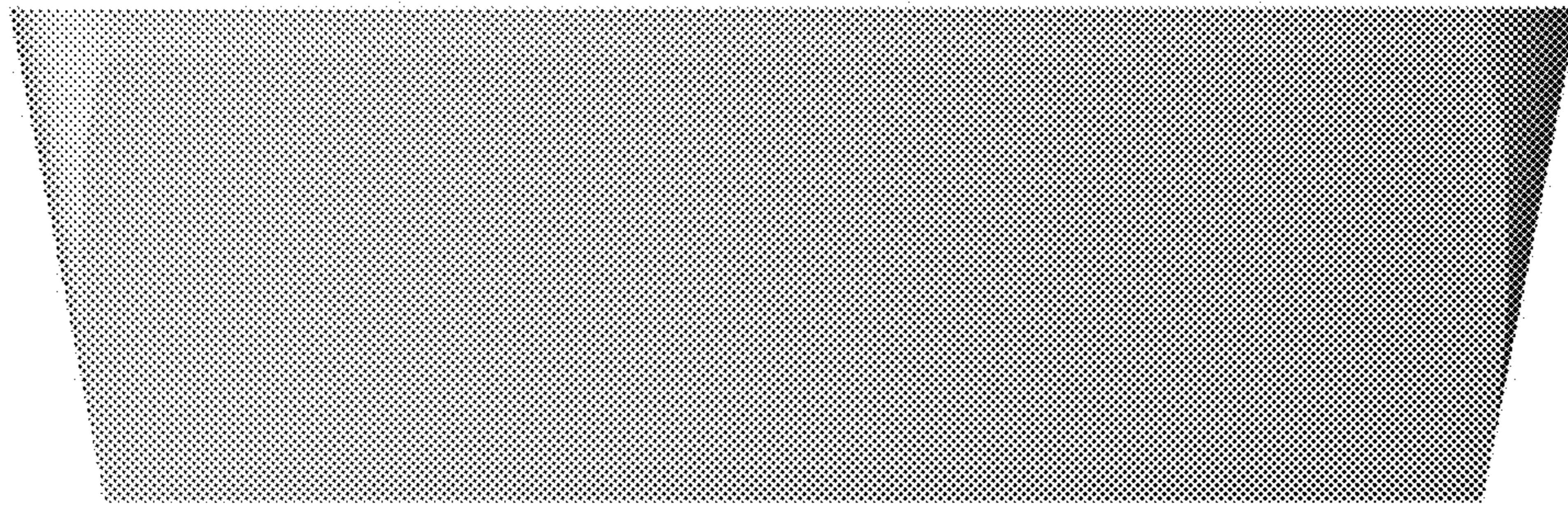


FIG. 7

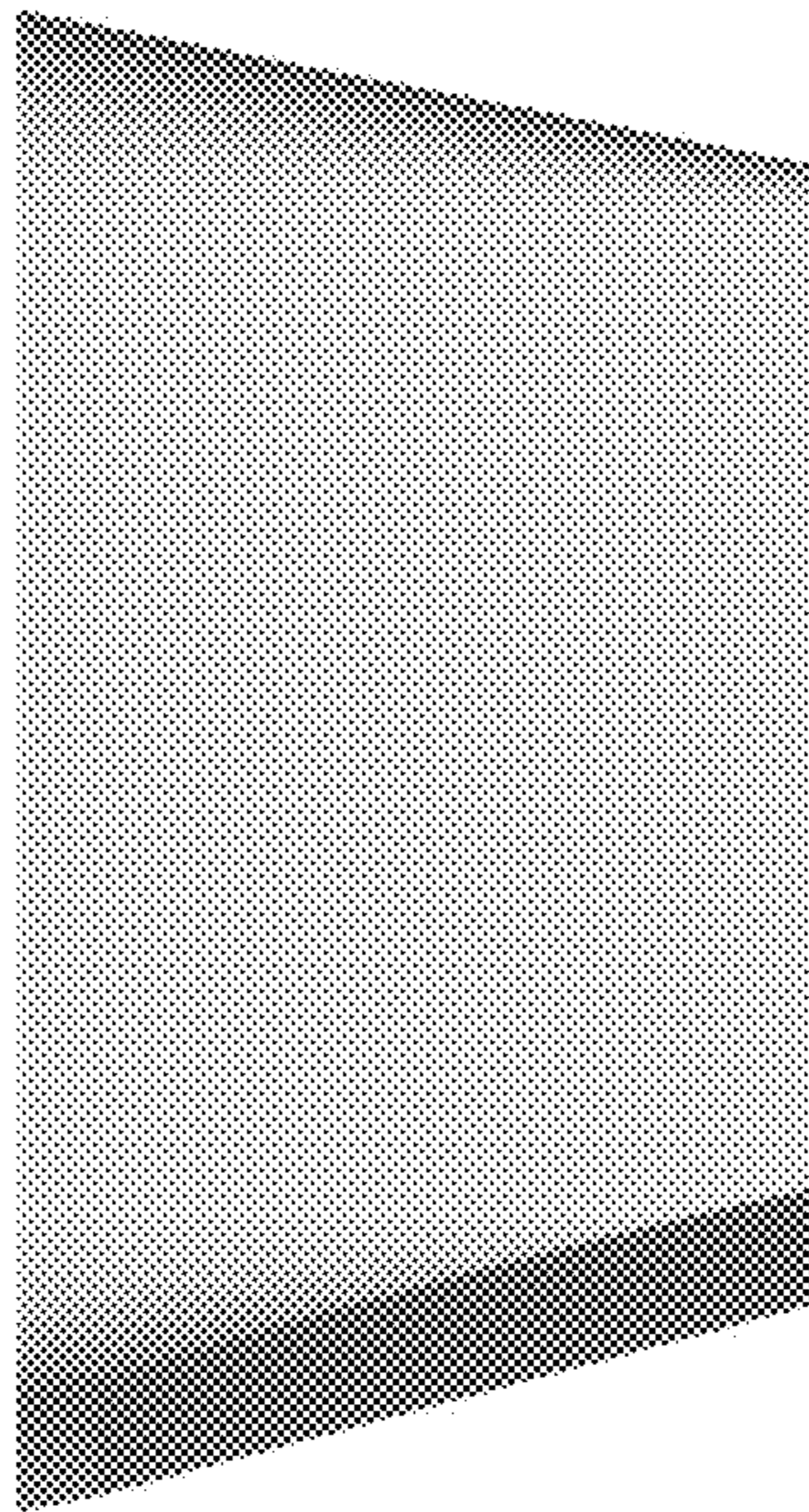


FIG. 8

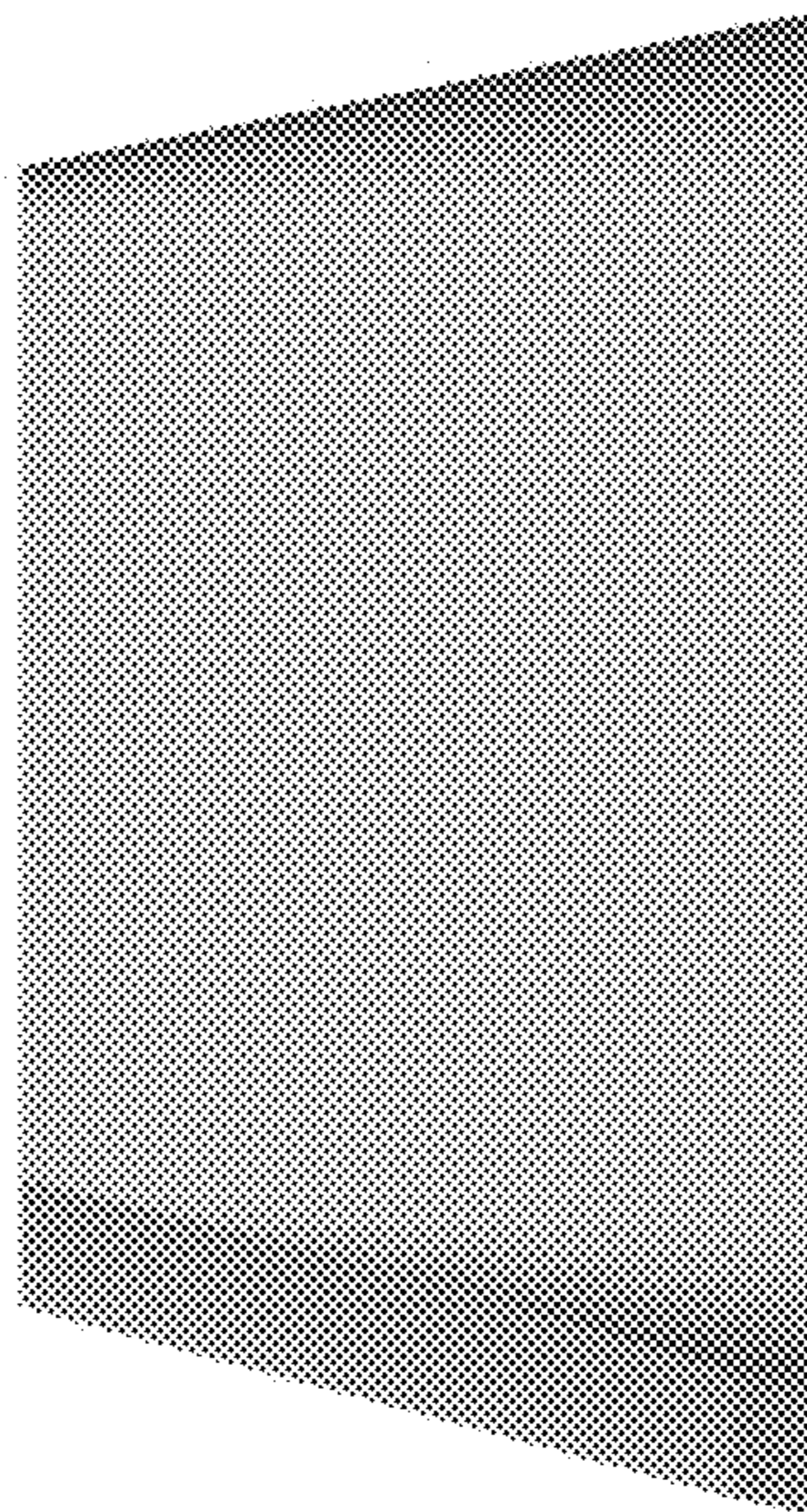


FIG. 9

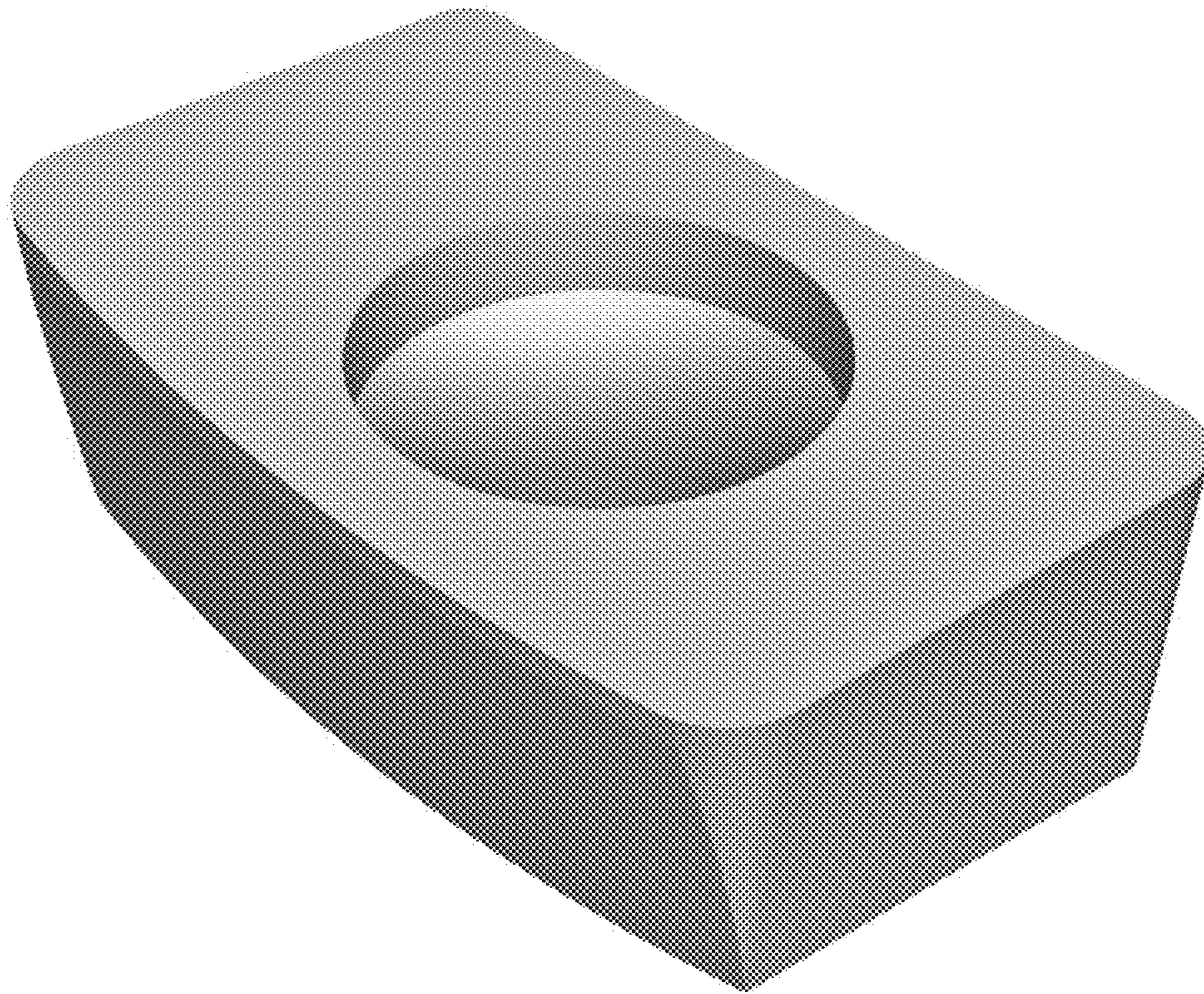


FIG. 10

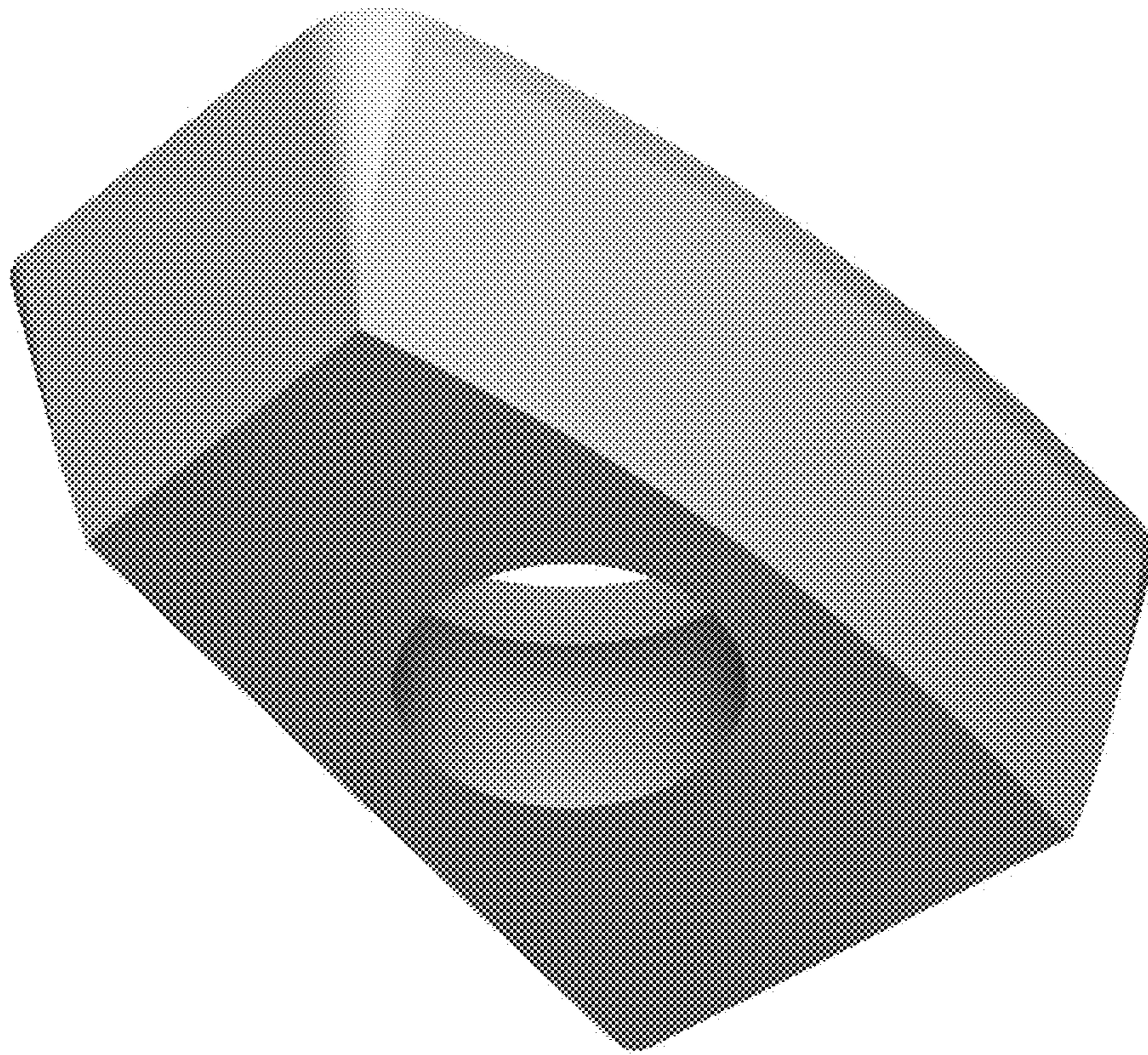


FIG. 11

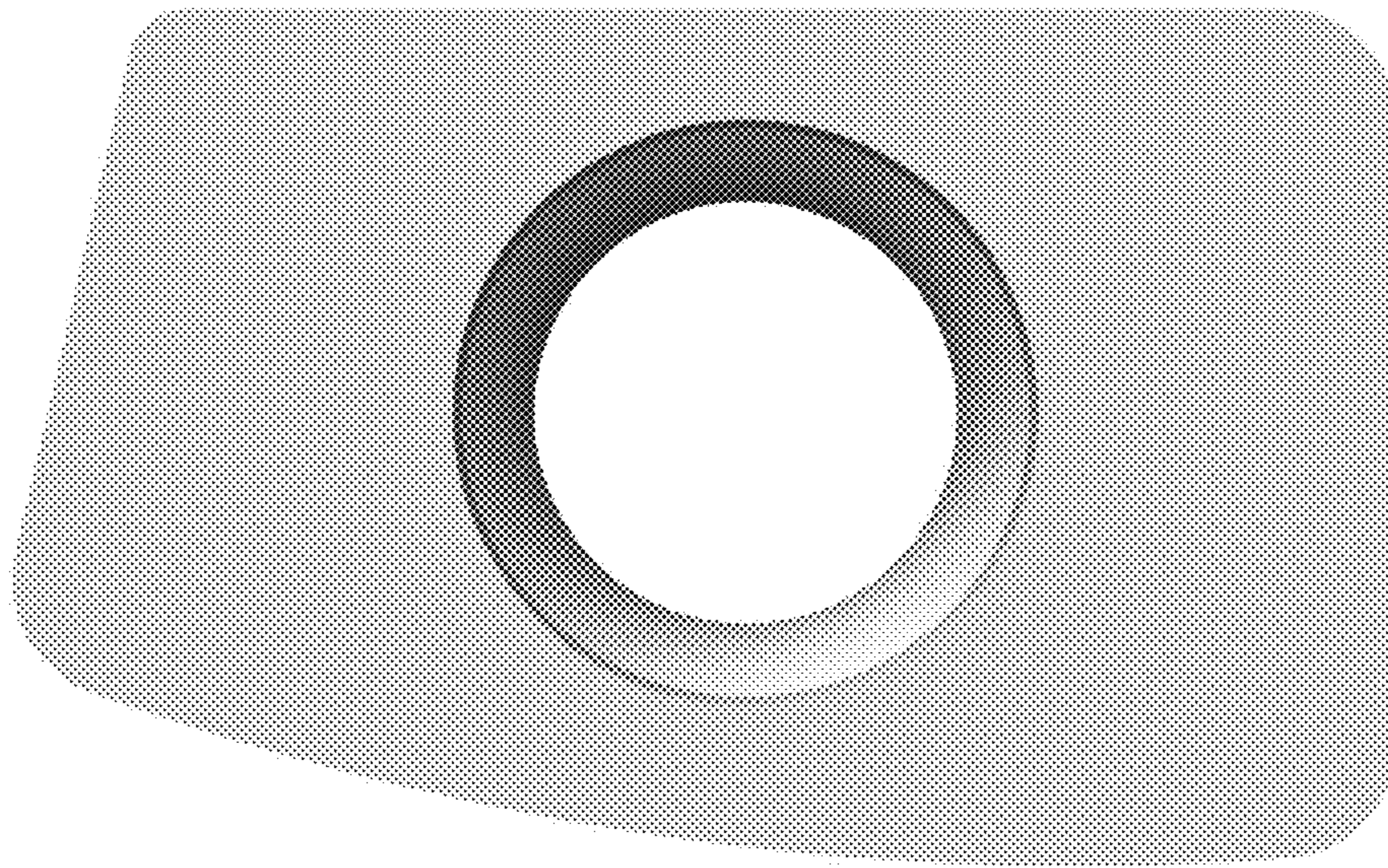


FIG. 12

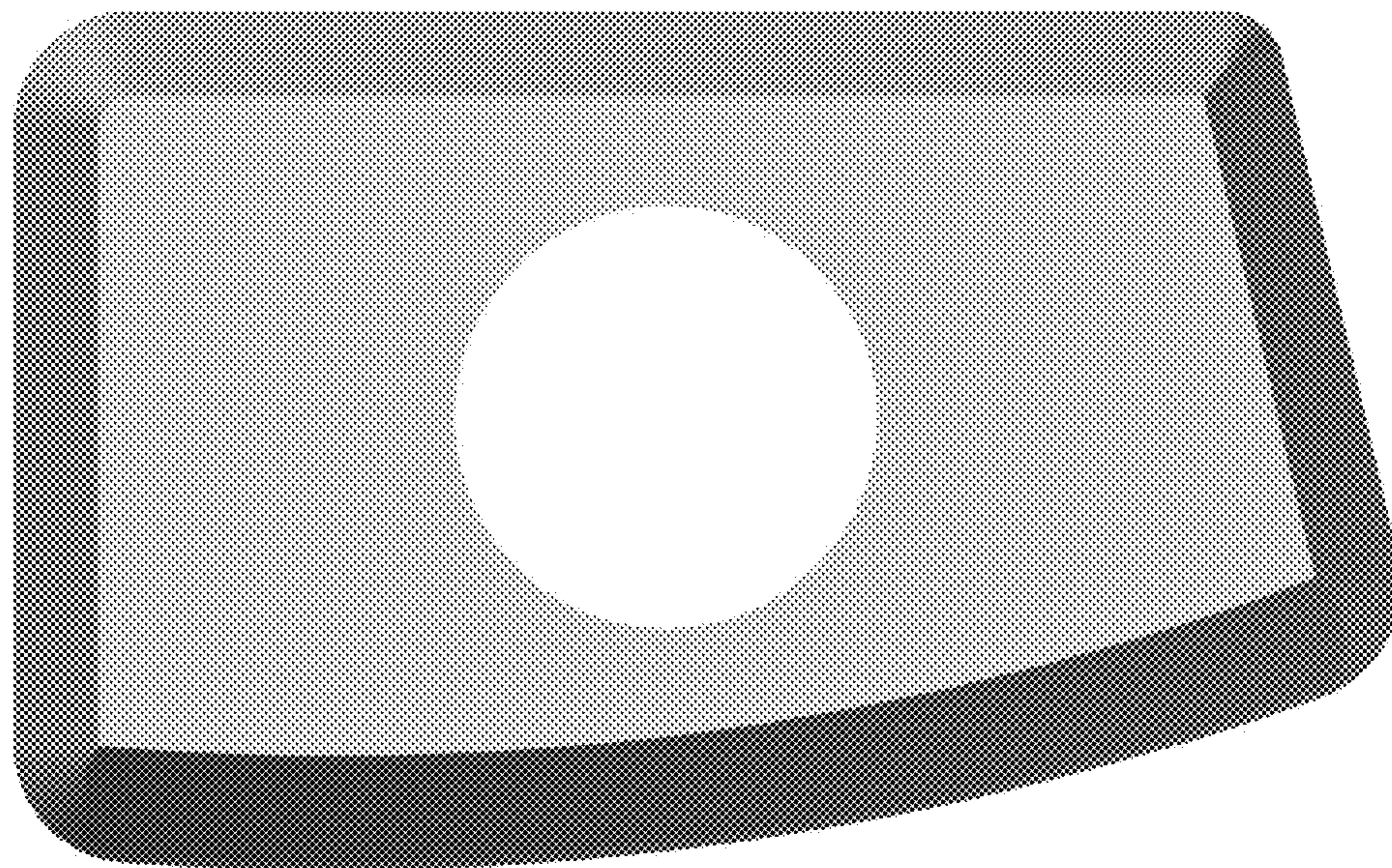


FIG. 13

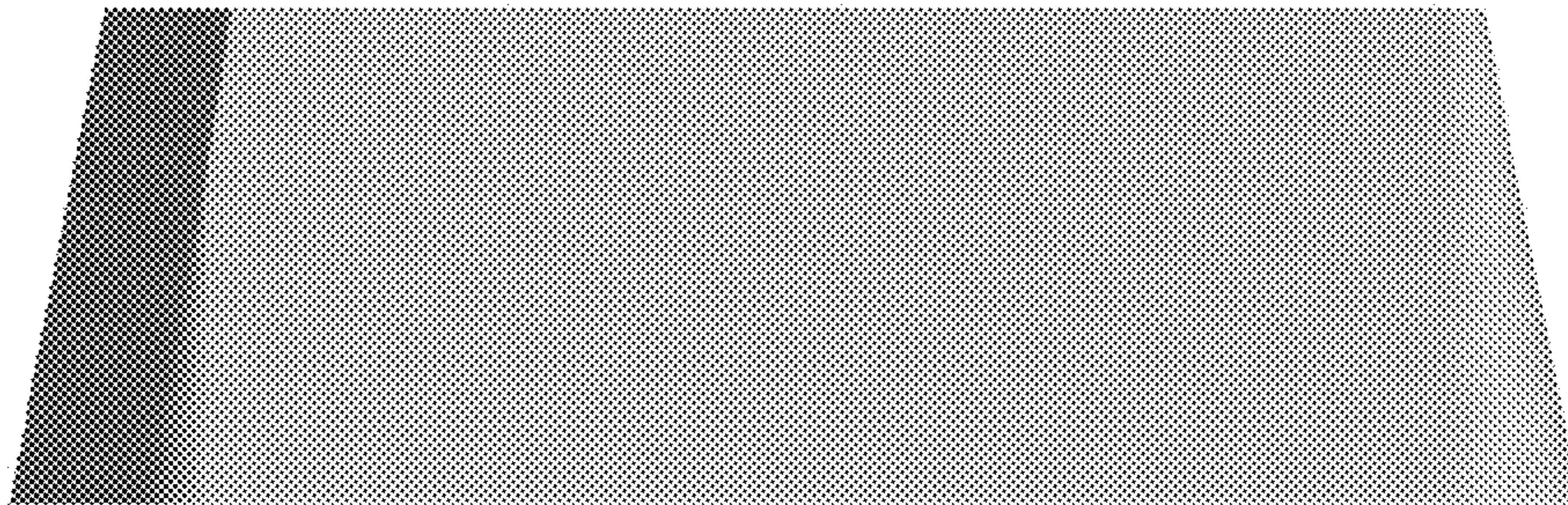


FIG. 14

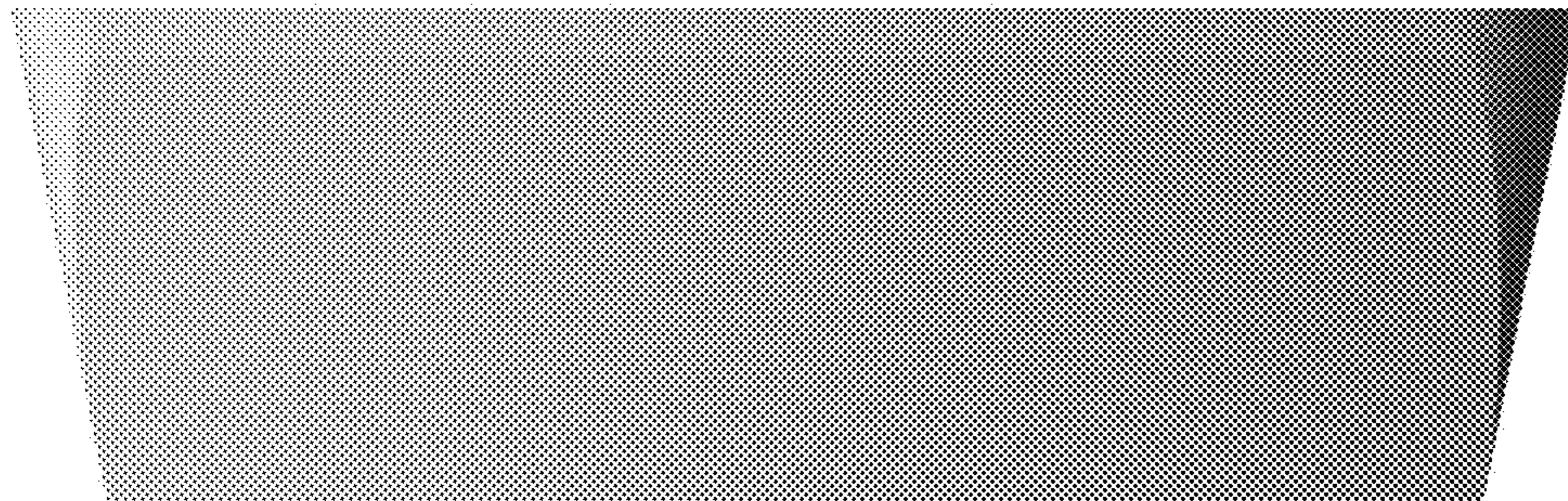


FIG. 15

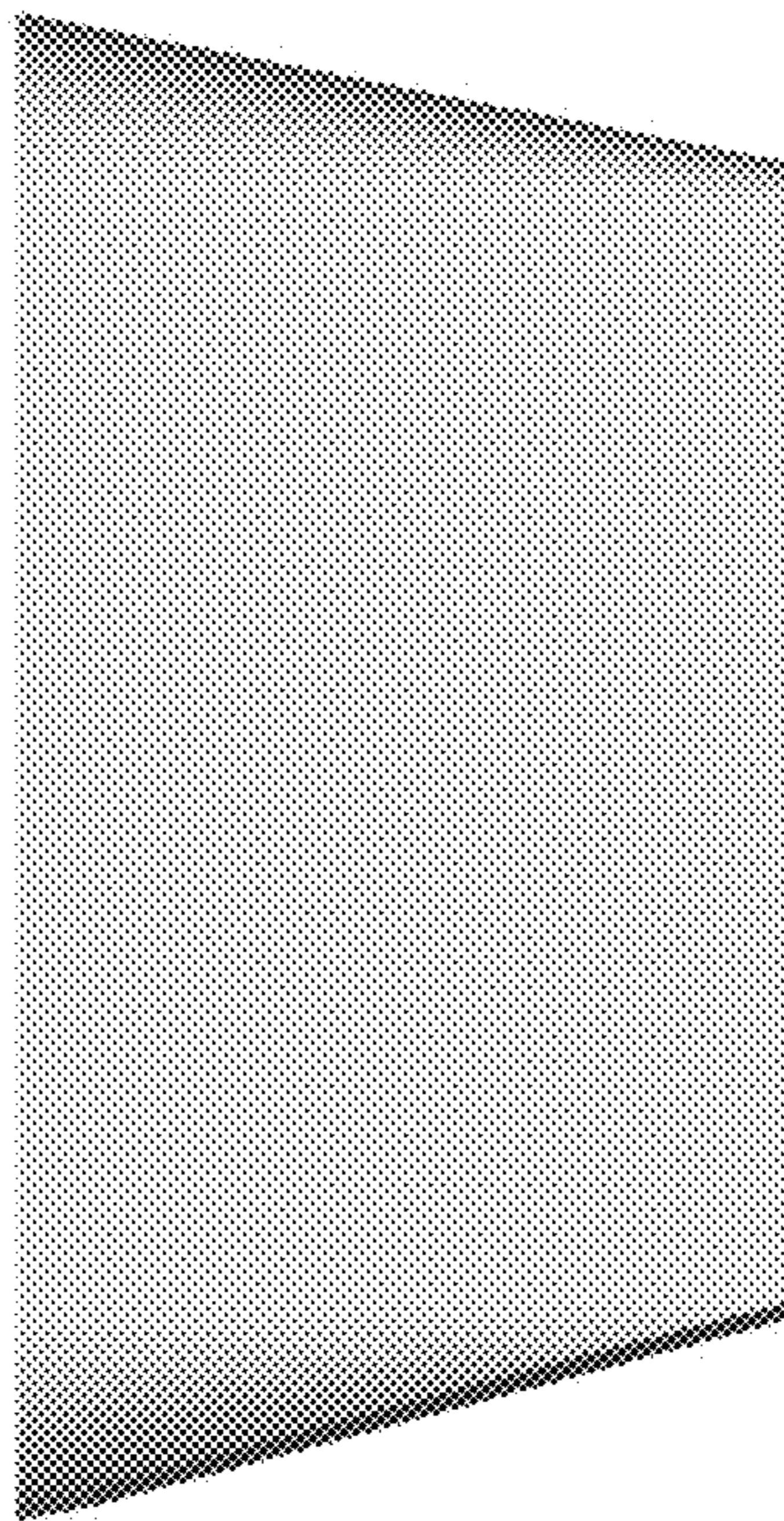


FIG. 16

