



US00D828413S

(12) **United States Design Patent** (10) **Patent No.:** **US D828,413 S**
Williams et al. (45) **Date of Patent:** **** Sep. 11, 2018**

(54) **FLUID APPLICATOR**
(71) Applicants: **Craig A. Williams**, Maumee, OH (US);
Charles J. Barnhart, Toledo, OH (US);
Bradley A. Spraw, Toledo, OH (US)
(72) Inventors: **Craig A. Williams**, Maumee, OH (US);
Charles J. Barnhart, Toledo, OH (US);
Bradley A. Spraw, Toledo, OH (US)
(73) Assignee: **Designetics, Inc.**, Holland, OH (US)
(**) Term: **15 Years**
(21) Appl. No.: **29/568,208**
(22) Filed: **Jun. 16, 2016**
(51) **LOC (11) Cl.** **15-09**
(52) **U.S. Cl.**
USPC **D15/138**
(58) **Field of Classification Search**
USPC D15/138-143, 199; D23/213; D9/723,
D9/724, 725, 434, 435, 499
CPC B05C 1/00; B05C 1/06; B05C 5/0254;
B05C 17/00; B05C 17/002; B05C 1/0808;
B05C 11/02; B05C 11/023; B05C
11/1002; B05C 11/1034; B05C 13/00;
B05C 13/02; B05C 17/00553; B05C
17/00566; B05C 17/00576; B05C
17/00583; B05C 17/00596; B05C 17/01;
B05C 17/0116; B05C 17/0308; B05C
17/0341; B05C 17/0357; B05C 17/12;
B05C 1/02; B05C 1/027; B05C 1/04;
B05C 3/00; B05C 5/0212; B05C 5/025;
B05C 9/08
See application file for complete search history.

(56) **References Cited**
U.S. PATENT DOCUMENTS
4,030,341 A * 6/1977 Sullivan G01N 1/2813
73/61.54
5,193,928 A * 3/1993 Balzer B05C 17/002
222/83

6,547,167 B1 * 4/2003 Fugere B05C 11/10
239/589
D474,689 S * 5/2003 Dinsky D9/434
D504,936 S * 5/2005 Yeager D23/213
D688,953 S * 9/2013 Korper D28/7
D694,853 S * 12/2013 Williams D23/213
D705,893 S * 5/2014 Williams D23/213
D714,902 S * 10/2014 Williams D23/213
D714,903 S * 10/2014 Williams D23/213
D714,904 S * 10/2014 Williams D23/213
D714,905 S * 10/2014 Williams D23/213
D714,906 S * 10/2014 Williams D23/213
D745,583 S * 12/2015 Arian D15/138
D748,223 S * 1/2016 Williams D23/213
D755,866 S * 5/2016 Spraw D15/138
D758,531 S * 6/2016 Williams D23/213
D762,752 S * 8/2016 Mortimer D15/138
D772,314 S * 11/2016 Williams D15/138
D781,940 S * 3/2017 Ooba D15/138

* cited by examiner

Primary Examiner — Patricia Ann Palasik

(74) *Attorney, Agent, or Firm* — Donald K. Wedding

(57) **CLAIM**

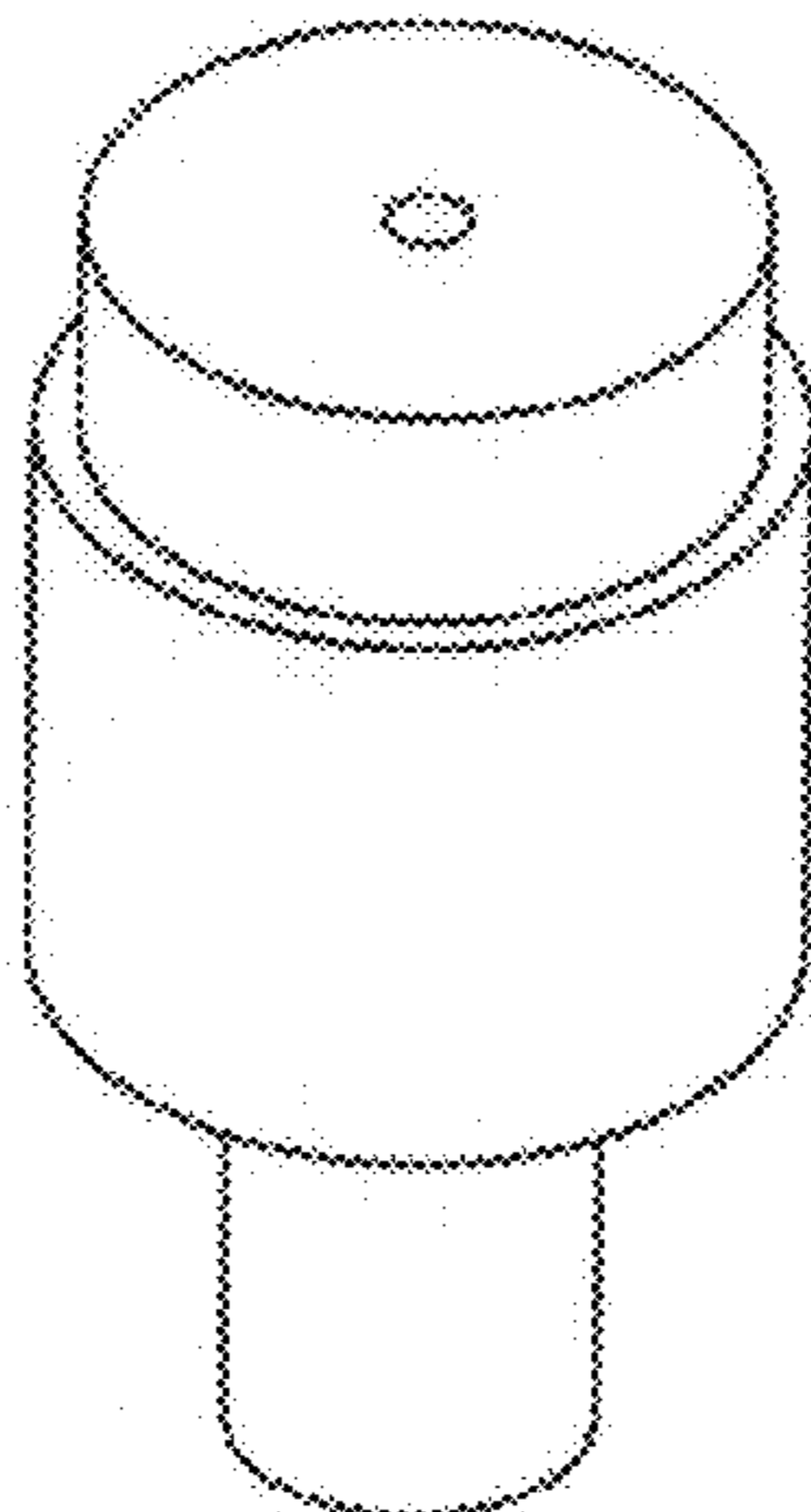
The ornamental design for a fluid applicator, as shown and described.

DESCRIPTION

FIG. 1 is a perspective view of our ornamental design for a fluid applicator.

FIG. 2 is a top view of our design shown in FIG. 1; and, FIG. 3 is a side plan view of our design shown in FIG. 1, all side plan views being identical to the side plan view.

1 Claim, 2 Drawing Sheets



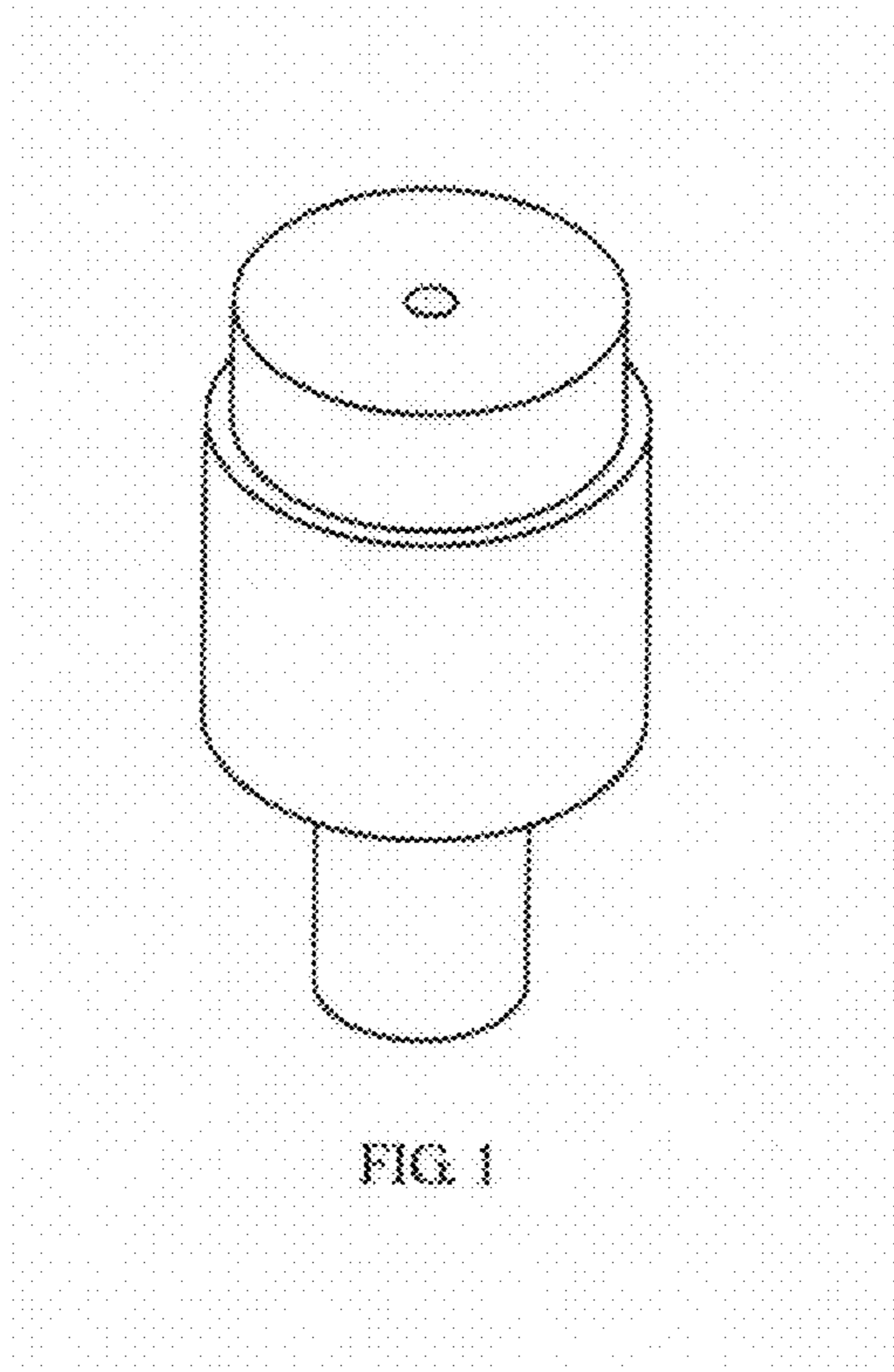


FIG. 1

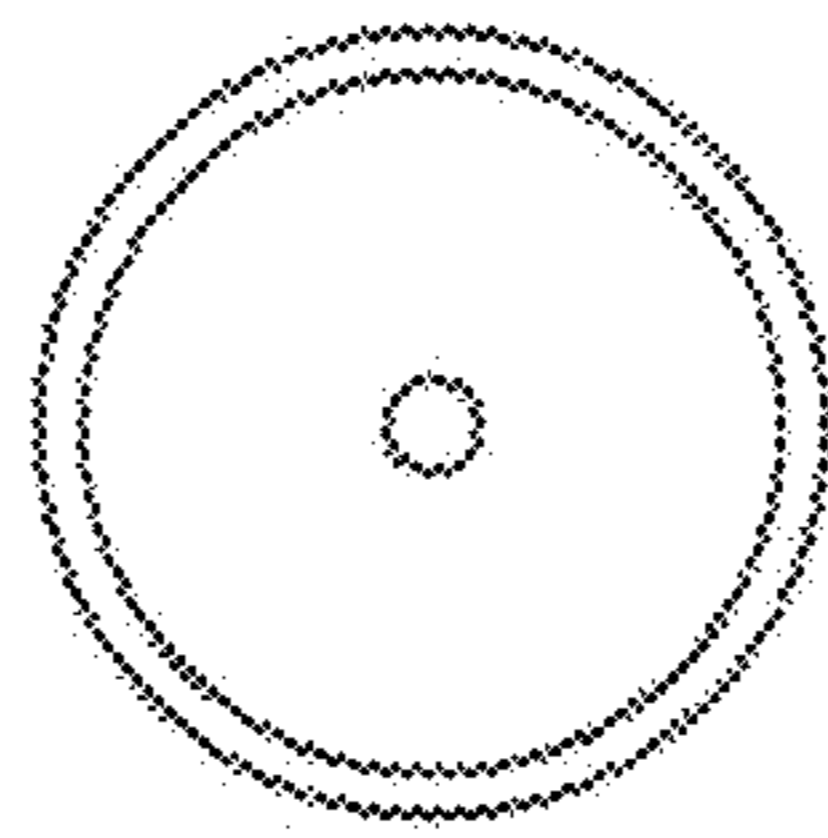


FIG. 2

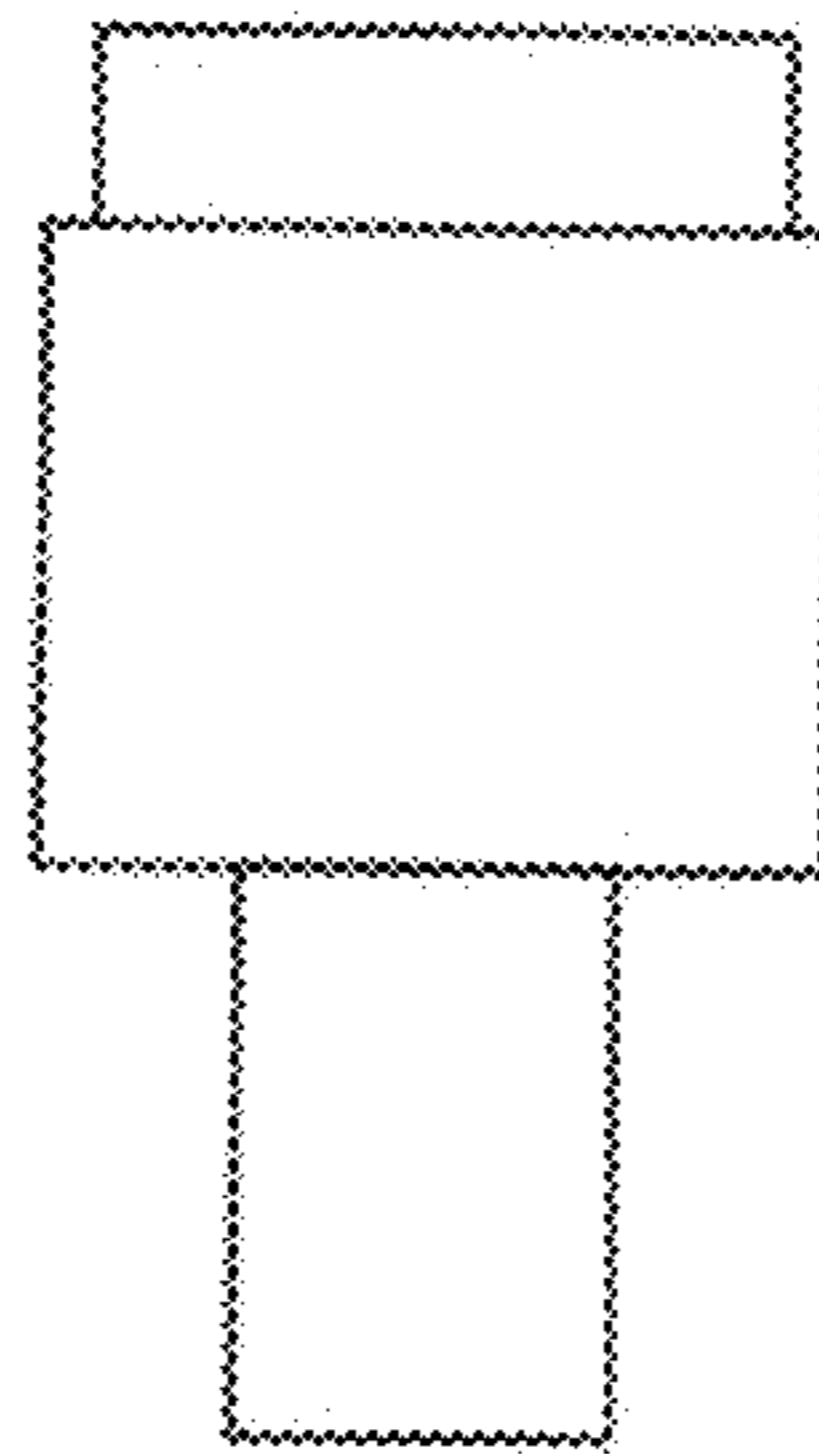


FIG. 3