



US00D828412S

(12) **United States Design Patent**
Huang

(10) **Patent No.:** **US D828,412 S**

(45) **Date of Patent:** **** Sep. 11, 2018**

(54) **PRESS FRAME WITH INTEGRATED HYDRAULIC RAM AND RETURN SPRINGS**

(71) Applicant: **Jerry Huang**, Delta (CA)

(72) Inventor: **Jerry Huang**, Delta (CA)

(**) Term: **15 Years**

(21) Appl. No.: **29/628,455**

(22) Filed: **Dec. 5, 2017**

(51) **LOC (11) Cl.** **15-09**

(52) **U.S. Cl.**
USPC **D15/123**

(58) **Field of Classification Search**
USPC D15/122, 123, 124
CPC B30B 15/04; B30B 15/18; B30B 15/048;
B30B 15/287

See application file for complete search history.

(56) **References Cited**

U.S. PATENT DOCUMENTS

- 429,238 A * 6/1890 Heaton B30B 15/04
100/214
- 673,409 A * 5/1901 Nichols B30B 15/04
100/214
- 988,469 A * 4/1911 Howlett B30B 15/04
100/1
- 1,466,714 A * 9/1923 Harnden B41F 1/22
101/3.1
- 2,079,904 A * 5/1937 Ernst B30B 15/22
100/269.15
- 2,102,842 A * 12/1937 Glasner B30B 15/00
100/257
- 2,137,634 A * 11/1938 Sutherland B29D 30/065
100/225
- D113,520 S * 2/1939 Munschauer D15/123
- D122,252 S * 9/1940 Bolling D15/123
- D135,821 S * 6/1943 Mills D15/123

- 2,357,508 A * 9/1944 Ernst B30B 15/18
100/270
- D141,667 S * 6/1945 Hess et al. D15/123
- D141,668 S * 6/1945 Hess et al. D15/123
- D153,892 S * 5/1949 Mills D15/123
- D156,333 S * 12/1949 Goldberg D15/123
- D156,334 S * 12/1949 Goldberg D15/123
- 2,839,870 A * 6/1958 Denman C03B 11/02
425/542
- 3,117,330 A * 1/1964 Robbins B42C 5/02
100/269.08
- 3,765,322 A * 10/1973 Weyer B30B 1/003
100/231
- 3,885,411 A * 5/1975 Szeliga B21J 13/08
470/17
- 4,102,174 A * 7/1978 Blase B21D 43/05
72/421
- 4,257,321 A * 3/1981 Wheeler B30B 9/04
100/219
- 4,502,379 A * 3/1985 Sato B21J 13/04
100/214
- D280,414 S * 9/1985 Uroshevich D15/123

(Continued)

Primary Examiner — Patricia A Palasik

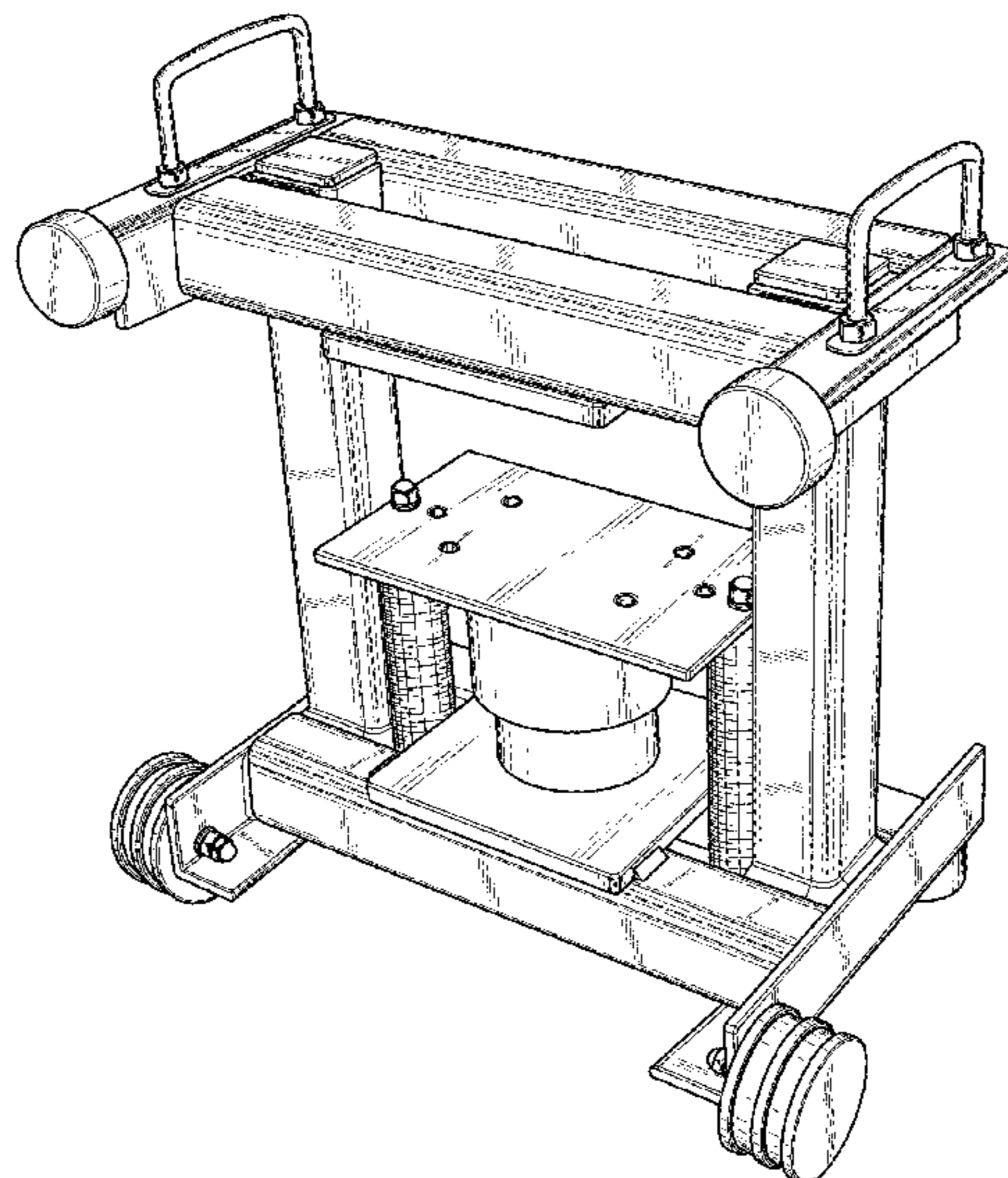
(57) **CLAIM**

The ornamental design for a press frame with integrated hydraulic ram and return springs, as shown.

DESCRIPTION

FIG. 1 is an upper front right perspective view of a press frame with integrated hydraulic ram and return springs showing my new design;
 FIG. 2 is a front elevational view thereof;
 FIG. 3 is a back elevational view thereof;
 FIG. 4 is a left side elevational view thereof;
 FIG. 5 is a right side elevational view thereof;
 FIG. 6 is a top plan view thereof;
 FIG. 7 is a bottom plan view thereof; and,
 FIG. 8 is an upper front left perspective view thereof.

1 Claim, 8 Drawing Sheets



(56)

References Cited

U.S. PATENT DOCUMENTS

4,574,611 A * 3/1986 Hegemann B21D 5/02
72/389.3
4,648,786 A * 3/1987 Sakurai B21D 43/05
198/468.3
5,156,087 A * 10/1992 Cusson B29C 43/52
100/322
6,871,587 B2 * 3/2005 Kanamaru B30B 15/048
100/214

* cited by examiner

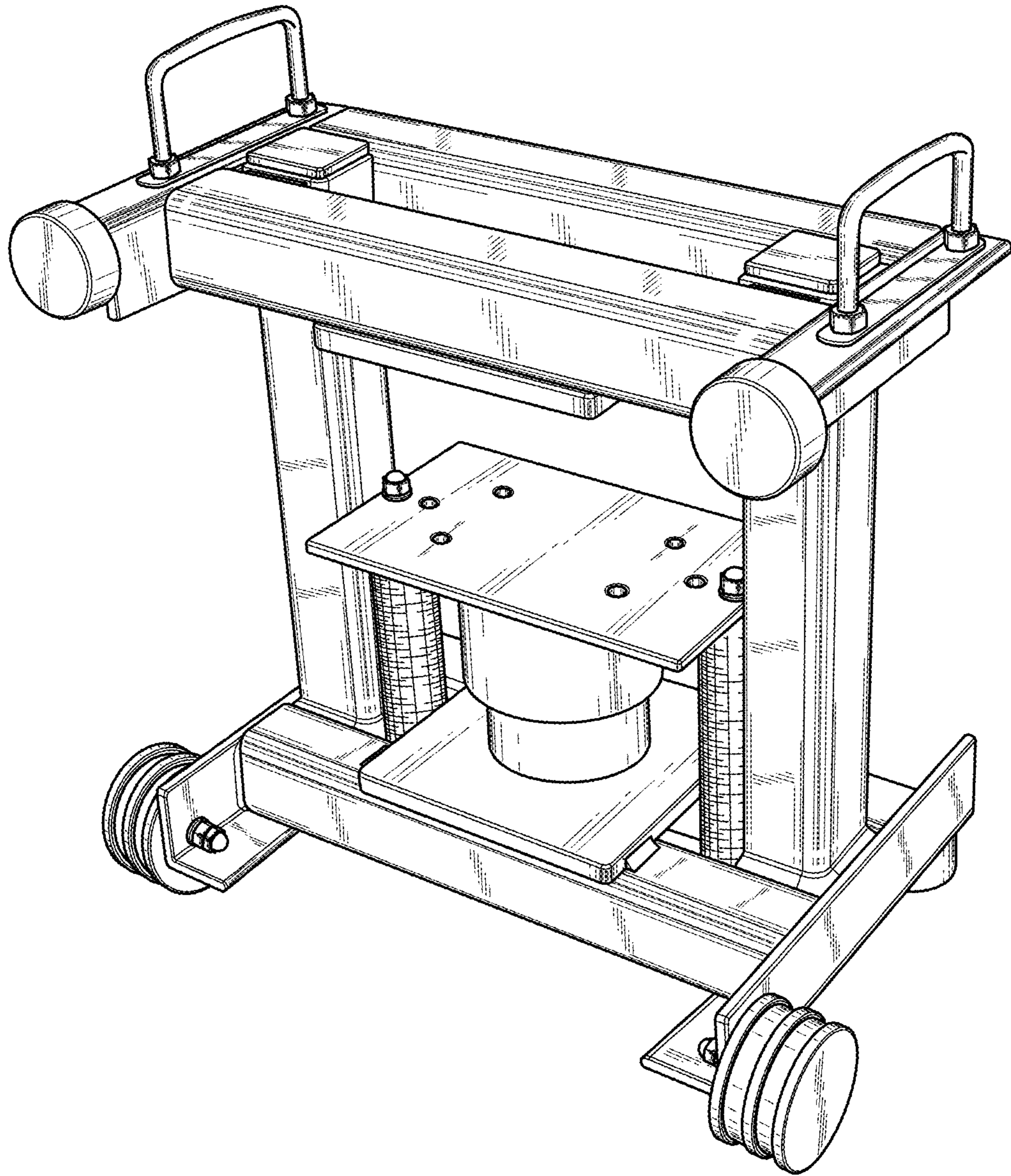


Fig. 1

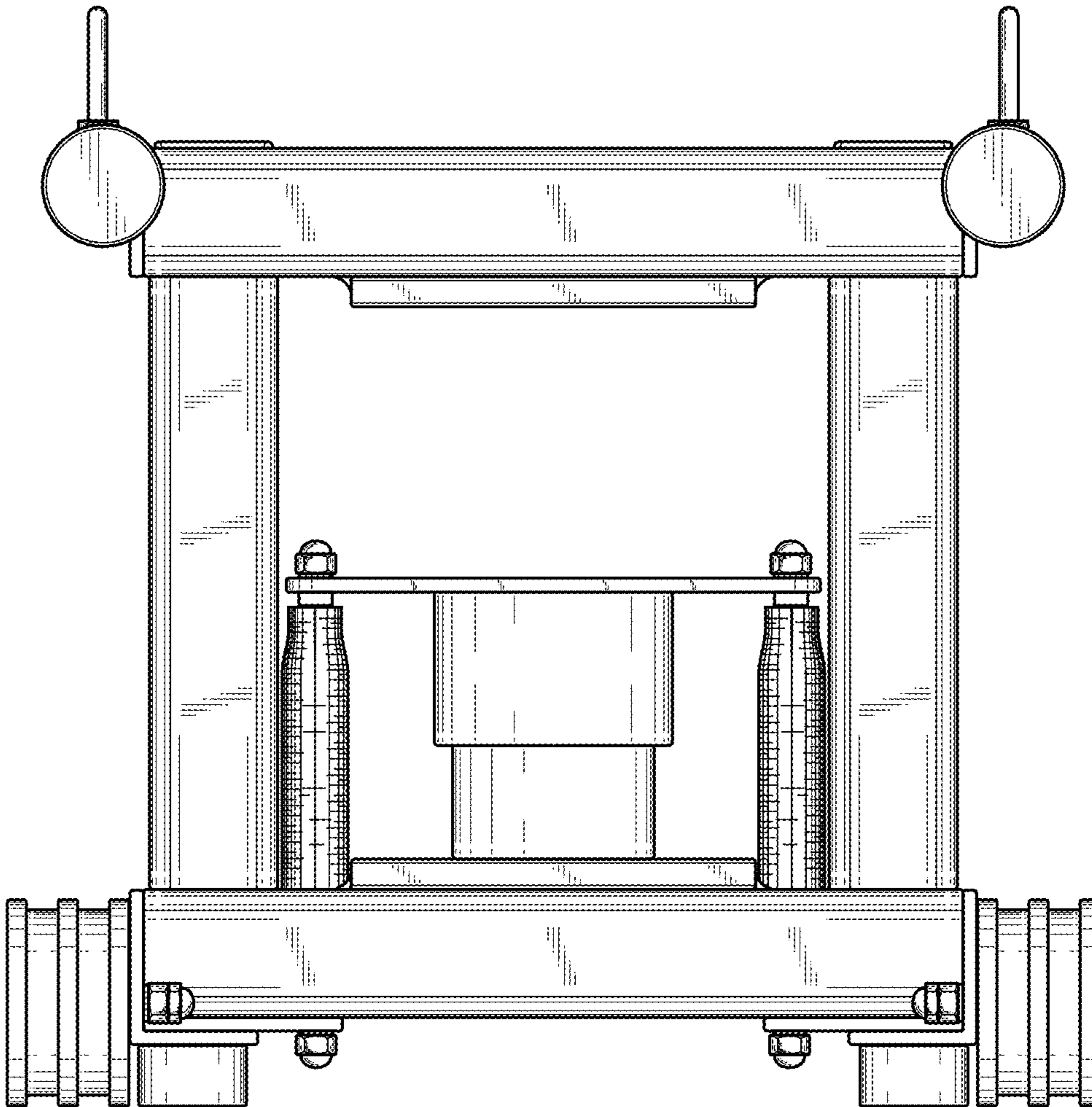


Fig. 2

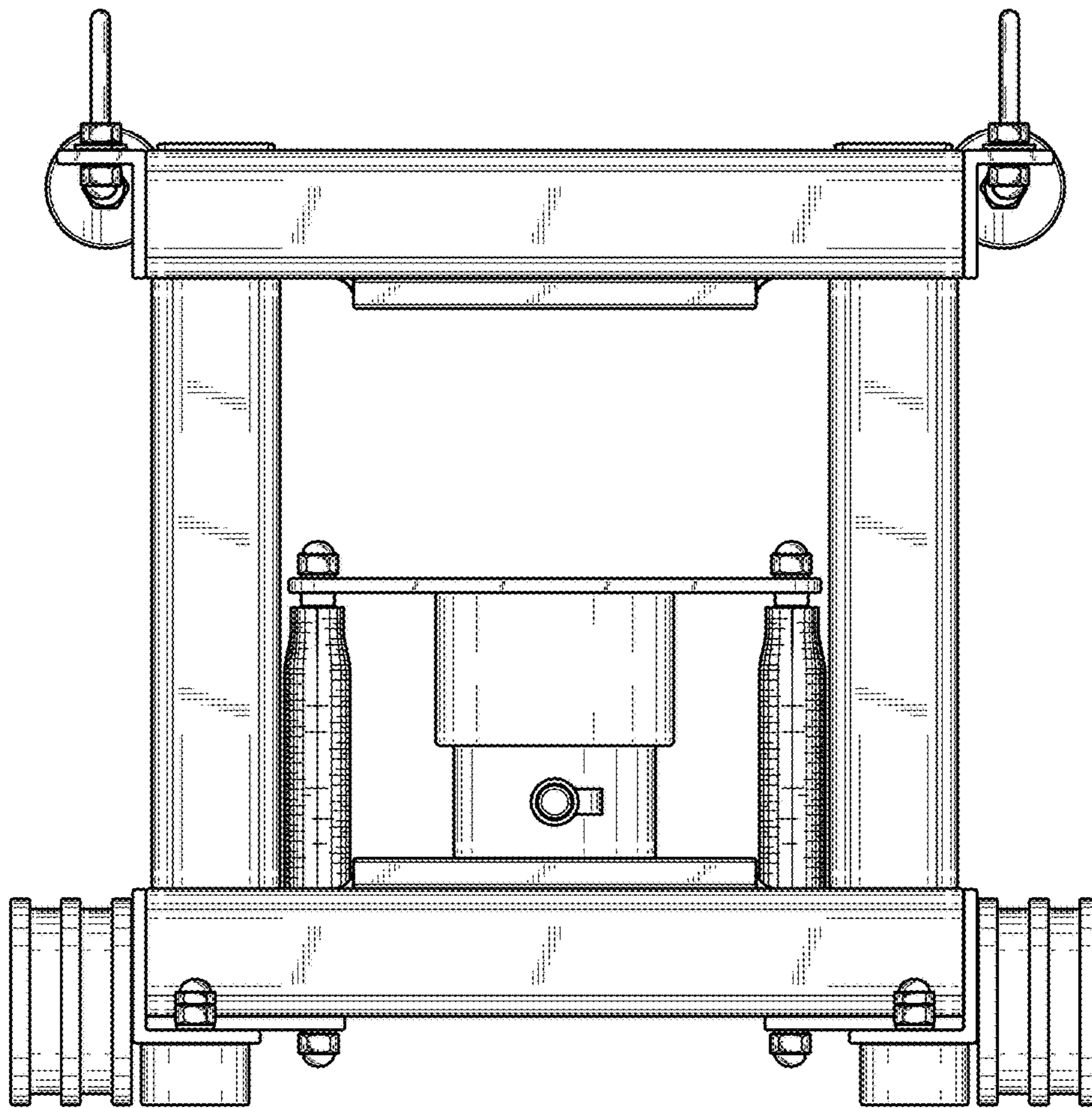


Fig. 3

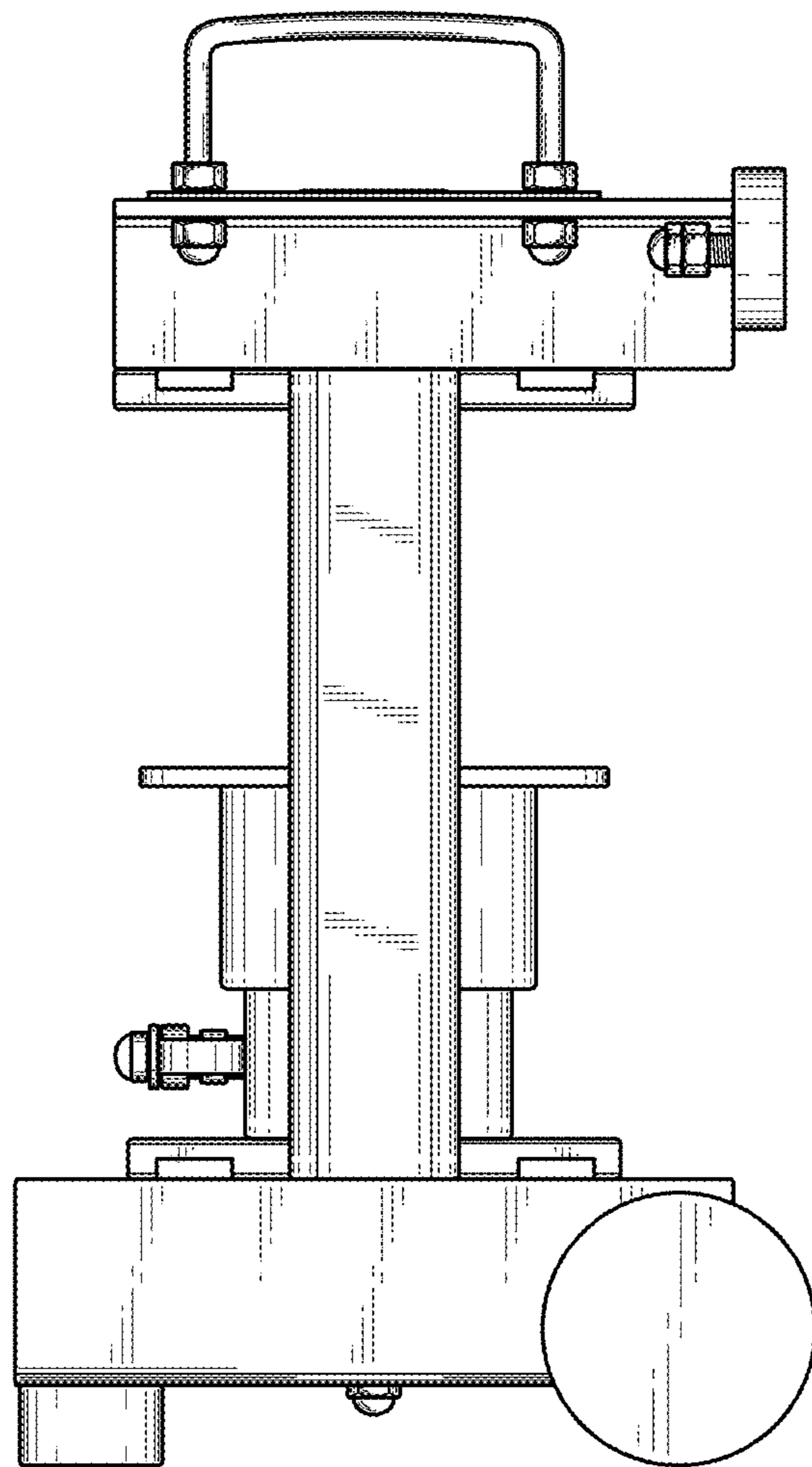


Fig. 4

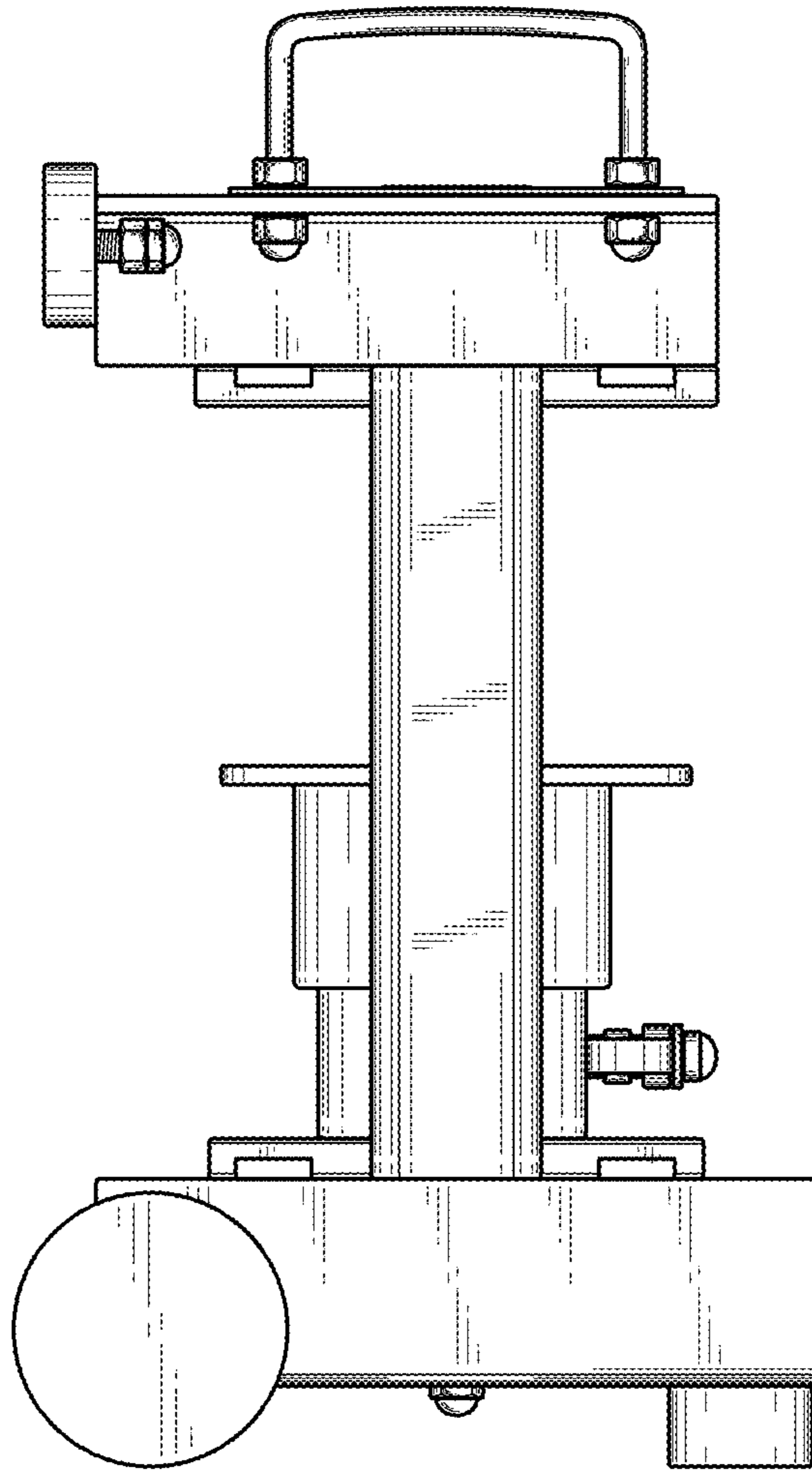


Fig. 5

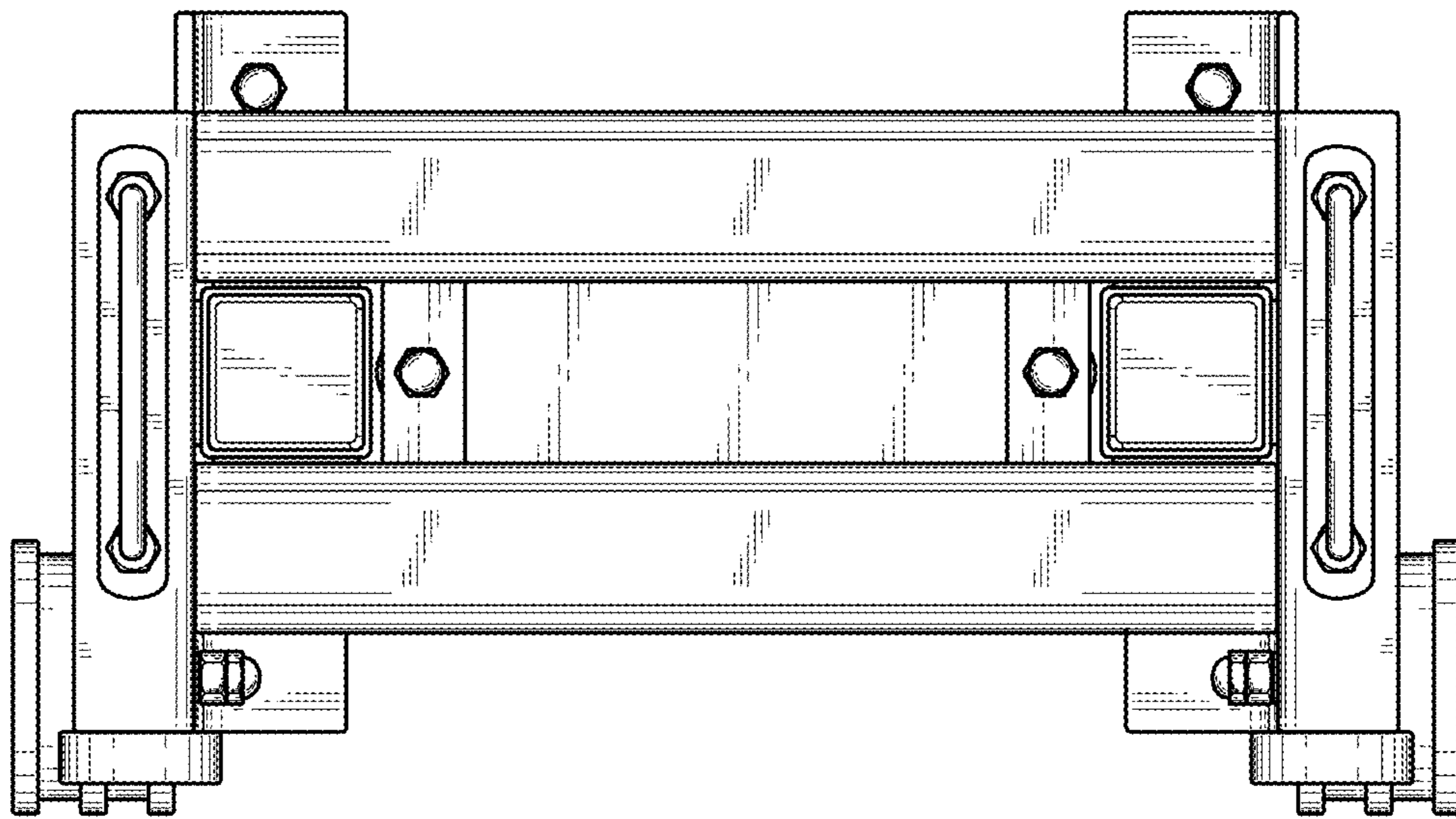


Fig. 6

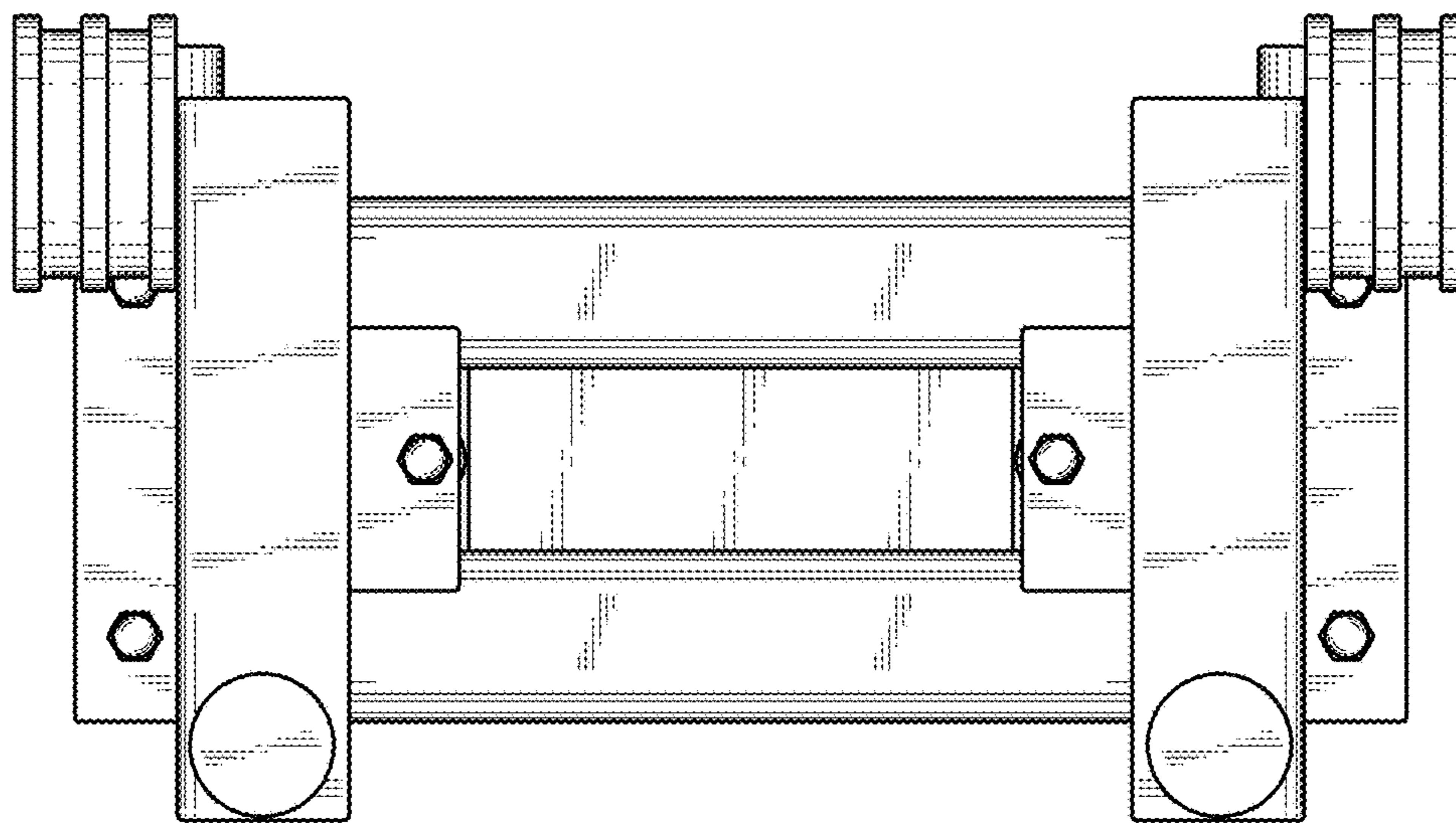


Fig. 7

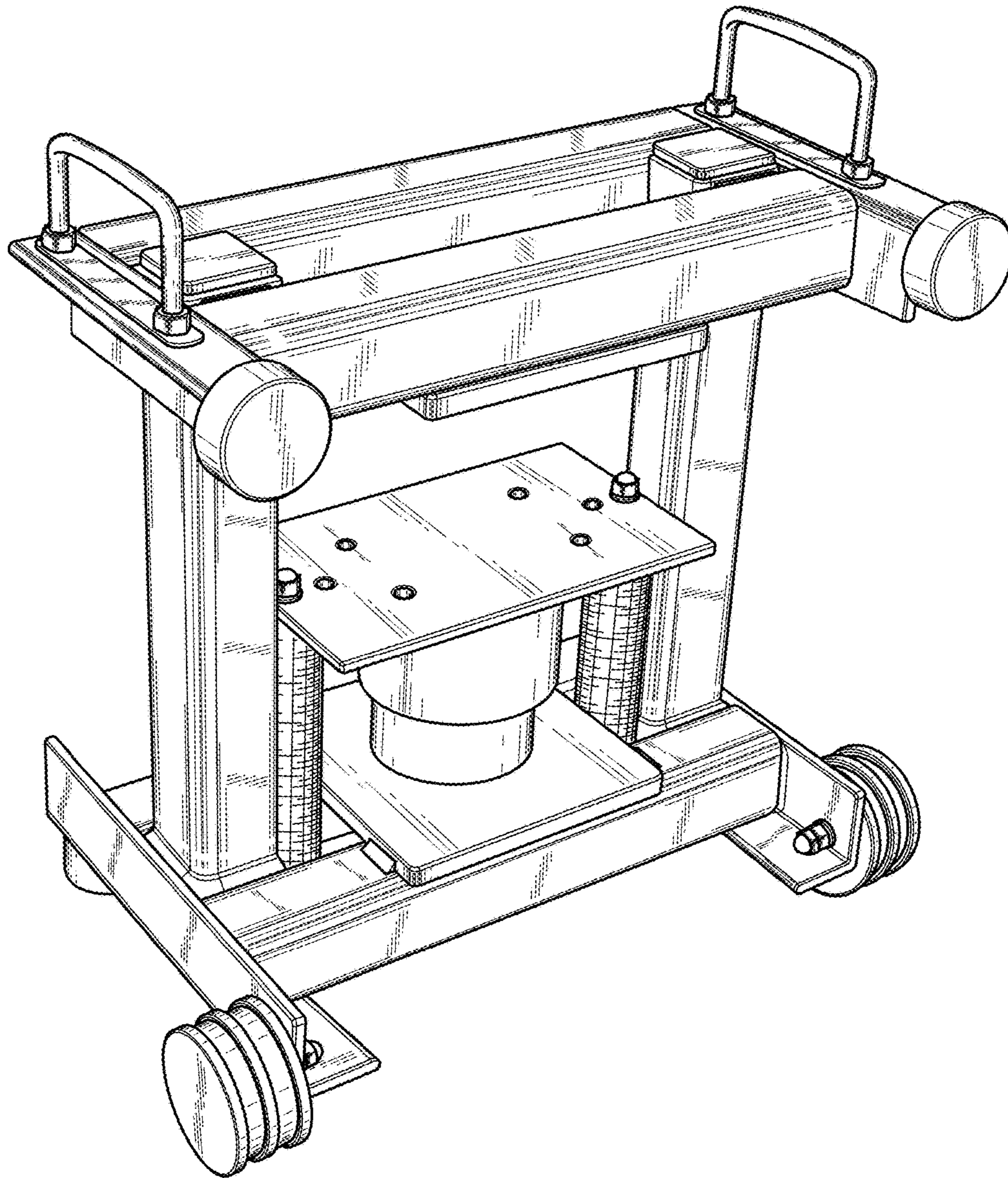


Fig. 8