



US00D828408S

(12) **United States Design Patent**
Huang

(10) **Patent No.:** **US D828,408 S**

(45) **Date of Patent:** **** Sep. 11, 2018**

(54) **PORTABLE REFRIGERATOR**

(71) Applicant: **Shenzhen Mars Power Co., Ltd.**,
Shenzhen, Guangdong (CN)

(72) Inventor: **Shou Huang**, Guangdong (CN)

(73) Assignee: **Shenzhen Mars Power Co., Ltd.**,
Shenzhen (CN)

(**) Term: **15 Years**

(21) Appl. No.: **29/608,289**

(22) Filed: **Jun. 20, 2017**

(51) **LOC (11) Cl.** **15-07**

(52) **U.S. Cl.**
USPC **D15/81**

(58) **Field of Classification Search**
USPC D15/79-91
CPC .. F25D 11/00; F25D 17/065; F25D 2325/022;
F25D 23/069; F25D 25/025; F25D 11/02;
F25D 17/062; F25D 21/12; F25D 21/125;
F25D 21/14; F25D 2317/061; F25D
2317/067; F25D 2323/021; F25D
2323/024; F25D 23/028; F25D 23/04;
F25D 23/066; F25D 23/085; F25D
23/087; F25D 23/126; F25D 2400/02;
F25D 2400/06; F25D 2400/361; F25D
2400/40; F25D 25/005; F25D 25/02;
F25D 2600/02; F25D 2700/02; F25D
2700/12; F25D 2700/121; F25D 2700/14;
F25D 29/00

See application file for complete search history.

(56) **References Cited**

U.S. PATENT DOCUMENTS

D503,413	S	*	3/2005	Diaz	D15/83
D660,885	S	*	5/2012	Crawford	D15/83
D750,140	S	*	2/2016	Cross	D15/81
D762,087	S	*	7/2016	Cross	D7/629
D792,486	S	*	7/2017	Li	D15/81
D802,029	S	*	11/2017	Li	D15/81
D802,630	S	*	11/2017	Li	D15/81

* cited by examiner

Primary Examiner — Mitchell I. Siegel

Assistant Examiner — Khawaja Anwar

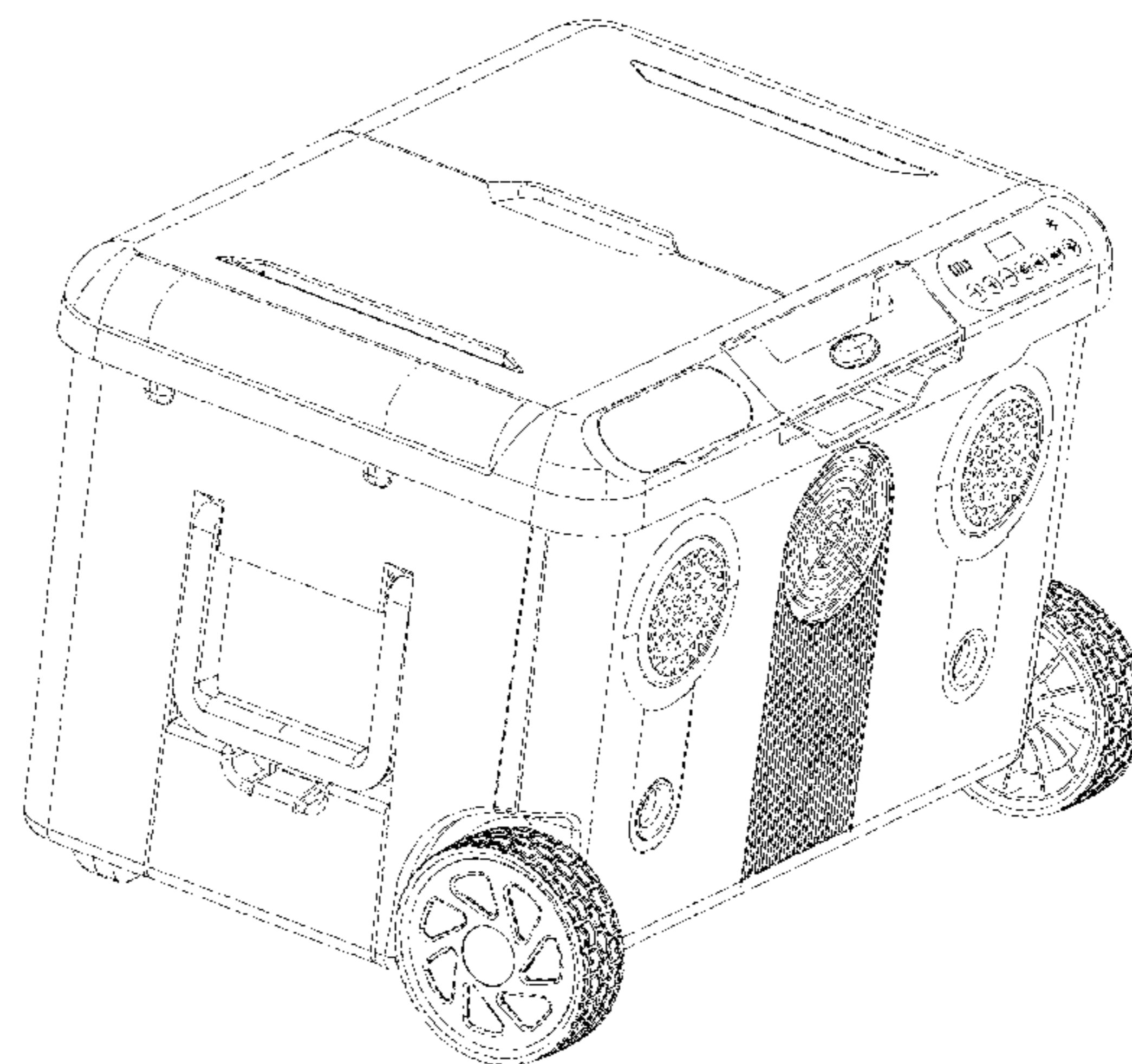
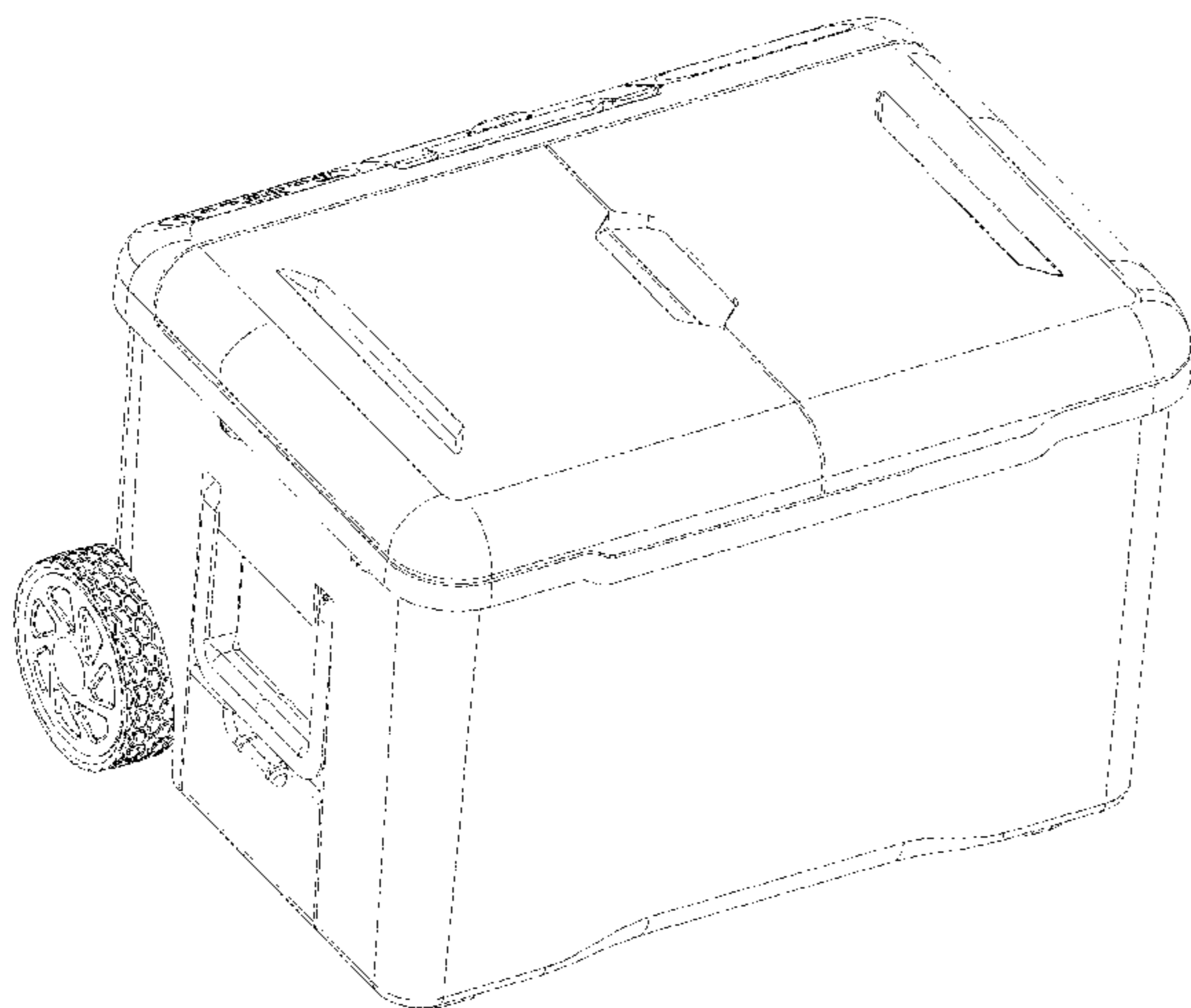
(57) **CLAIM**

The ornamental design for a portable refrigerator, as shown and described.

DESCRIPTION

FIG. 1 is a first perspective view of a portable refrigerator showing my new design;
FIG. 2 is a second perspective view thereof;
FIG. 3 is a front elevational view thereof;
FIG. 4 is a rear elevational view thereof;
FIG. 5 is a left side view thereof;
FIG. 6 is a right side view thereof;
FIG. 7 is a top plan view thereof;
FIG. 8 is a bottom plan view thereof;
FIG. 9 is a first perspective view showing the portable refrigerator in an open state; and,
FIG. 10 is a second perspective view showing the portable refrigerator in an open state.

1 Claim, 10 Drawing Sheets



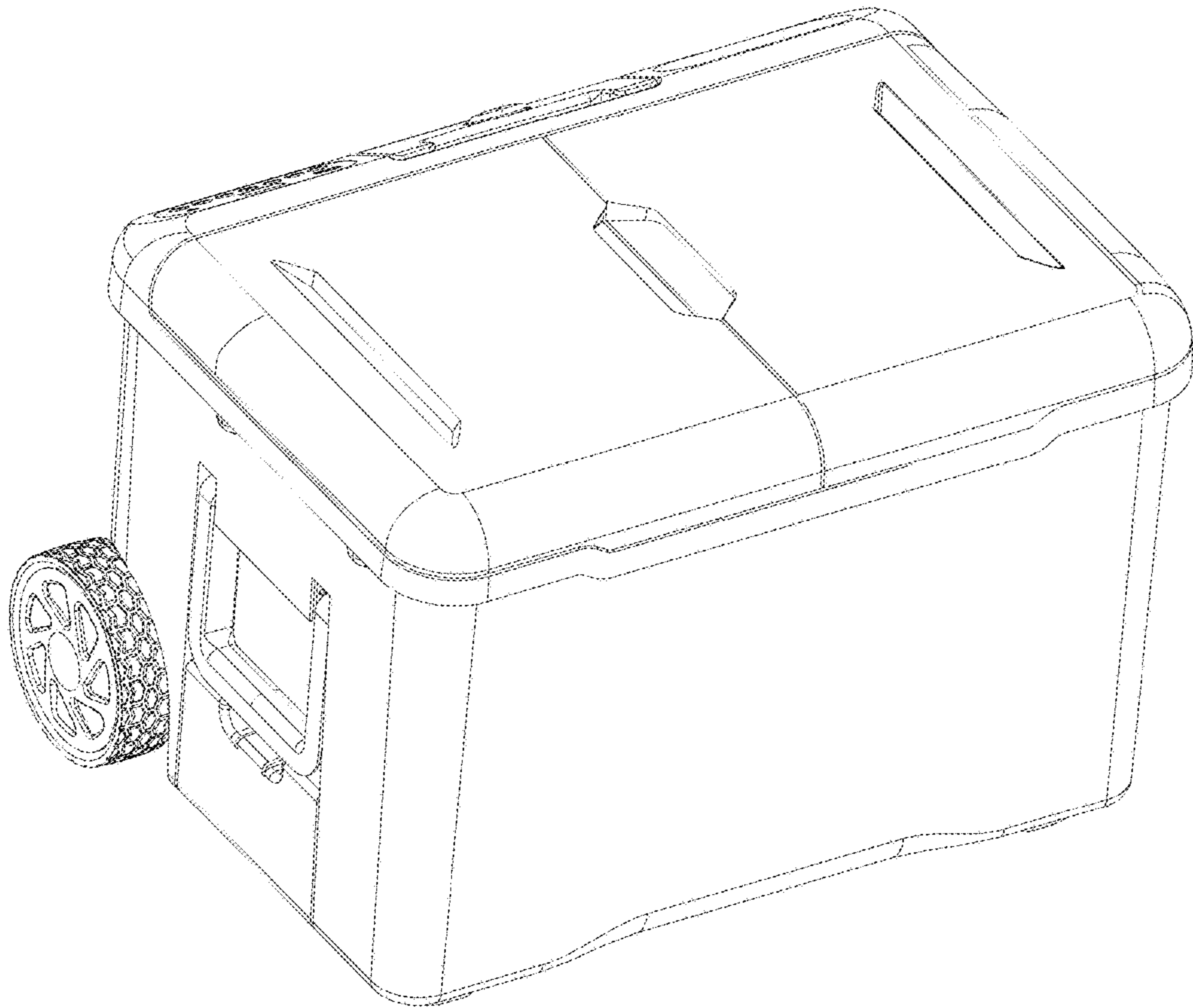


Fig. 1

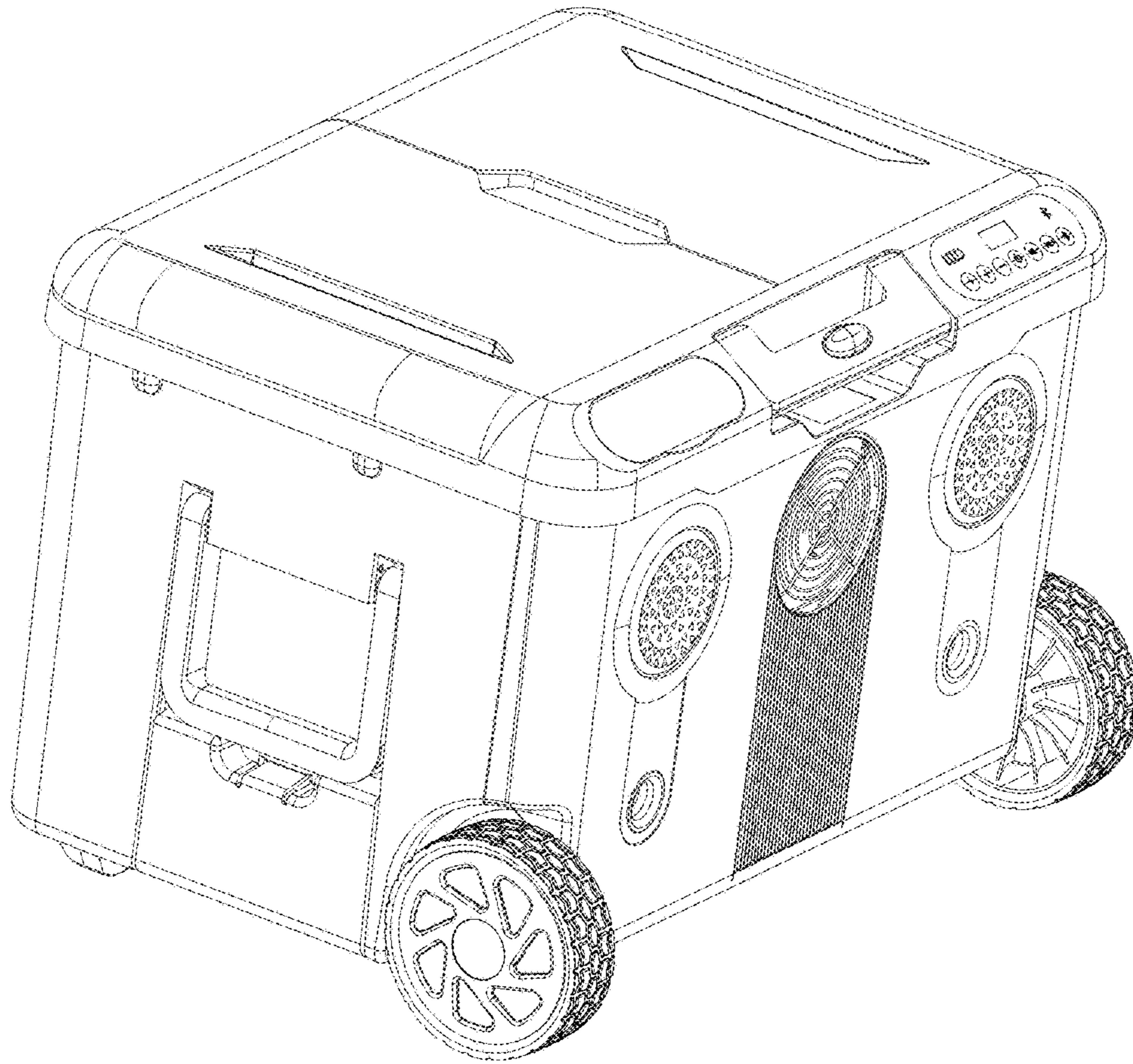


Fig. 2

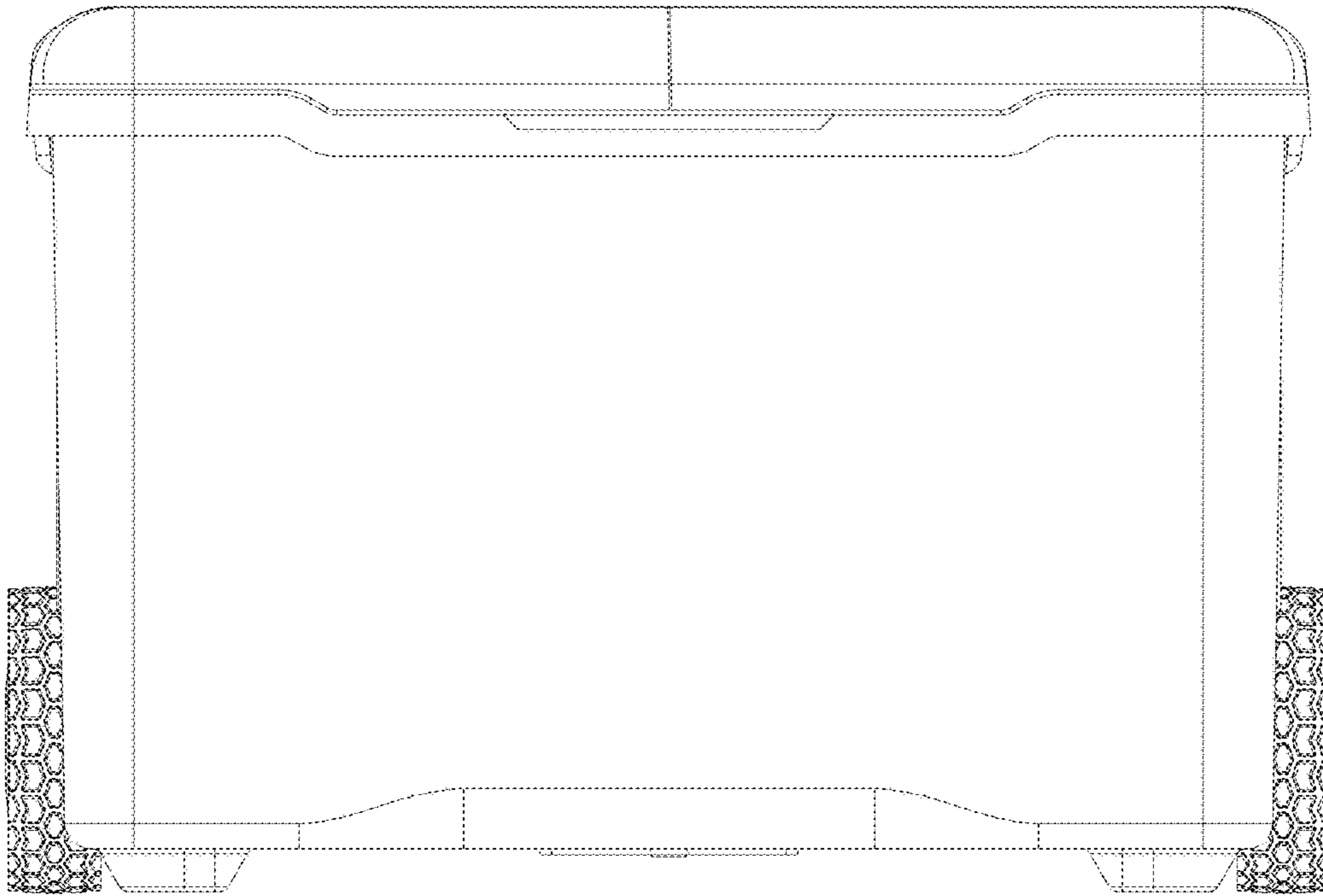


Fig. 3

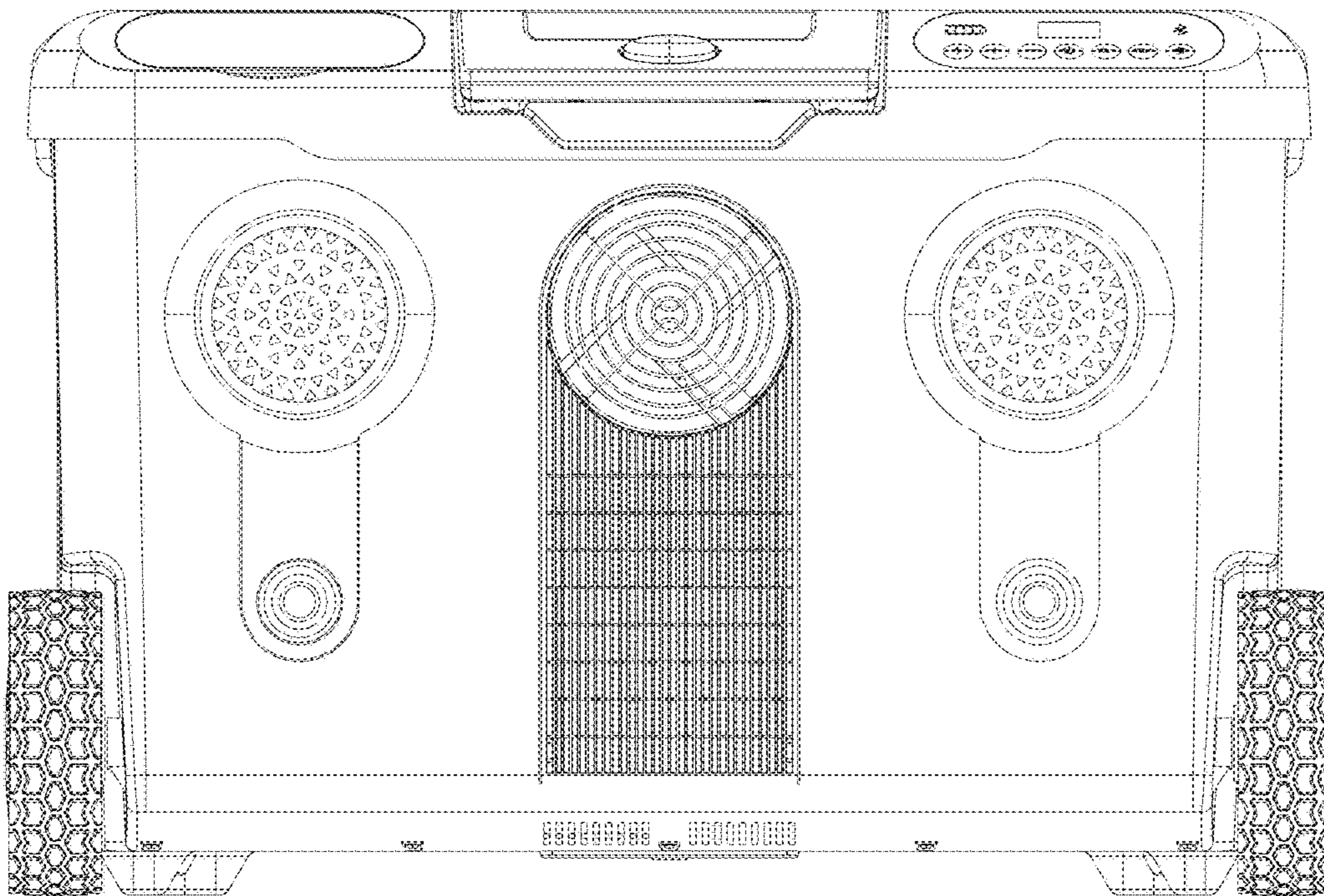


Fig. 4

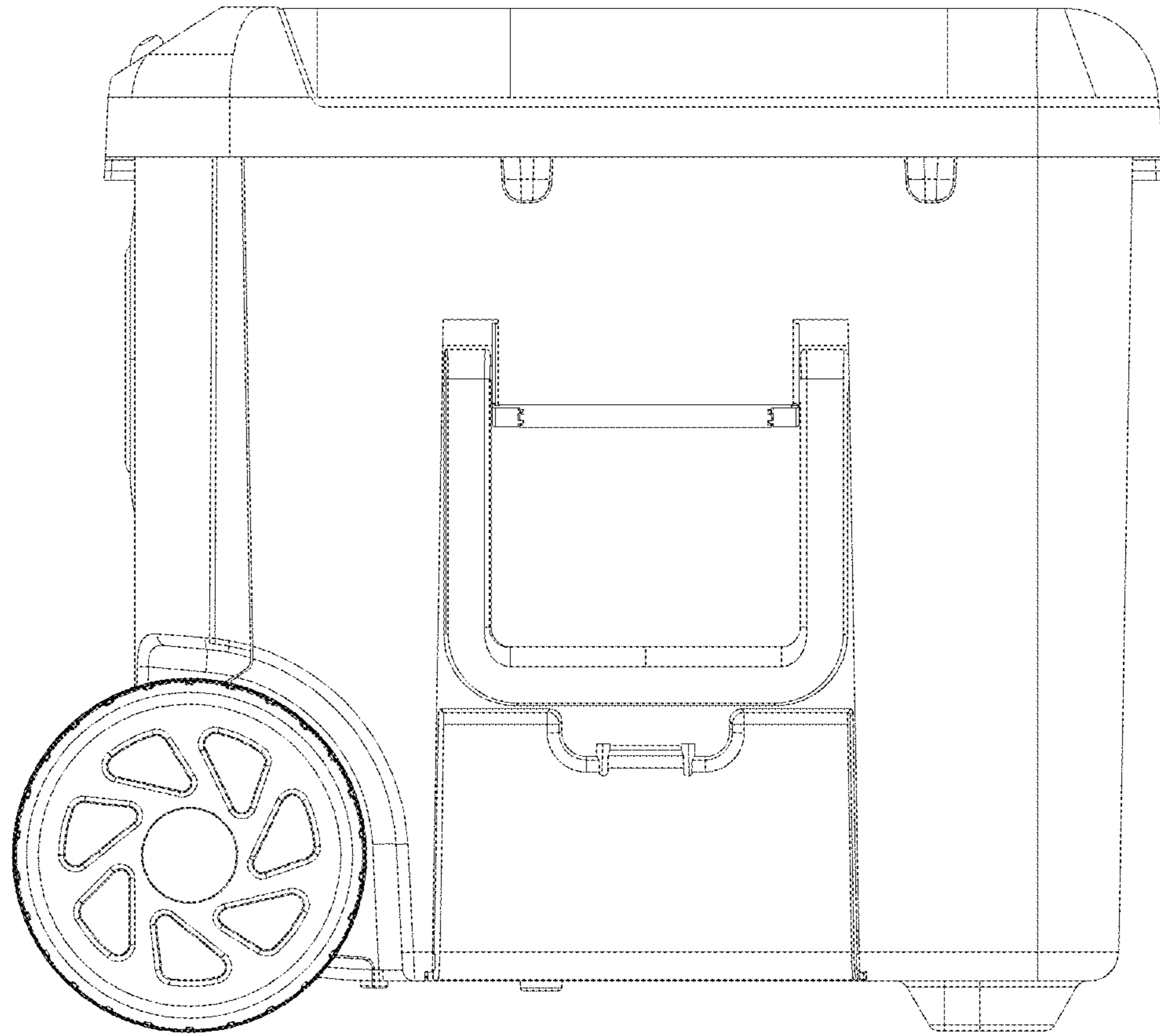


Fig. 5

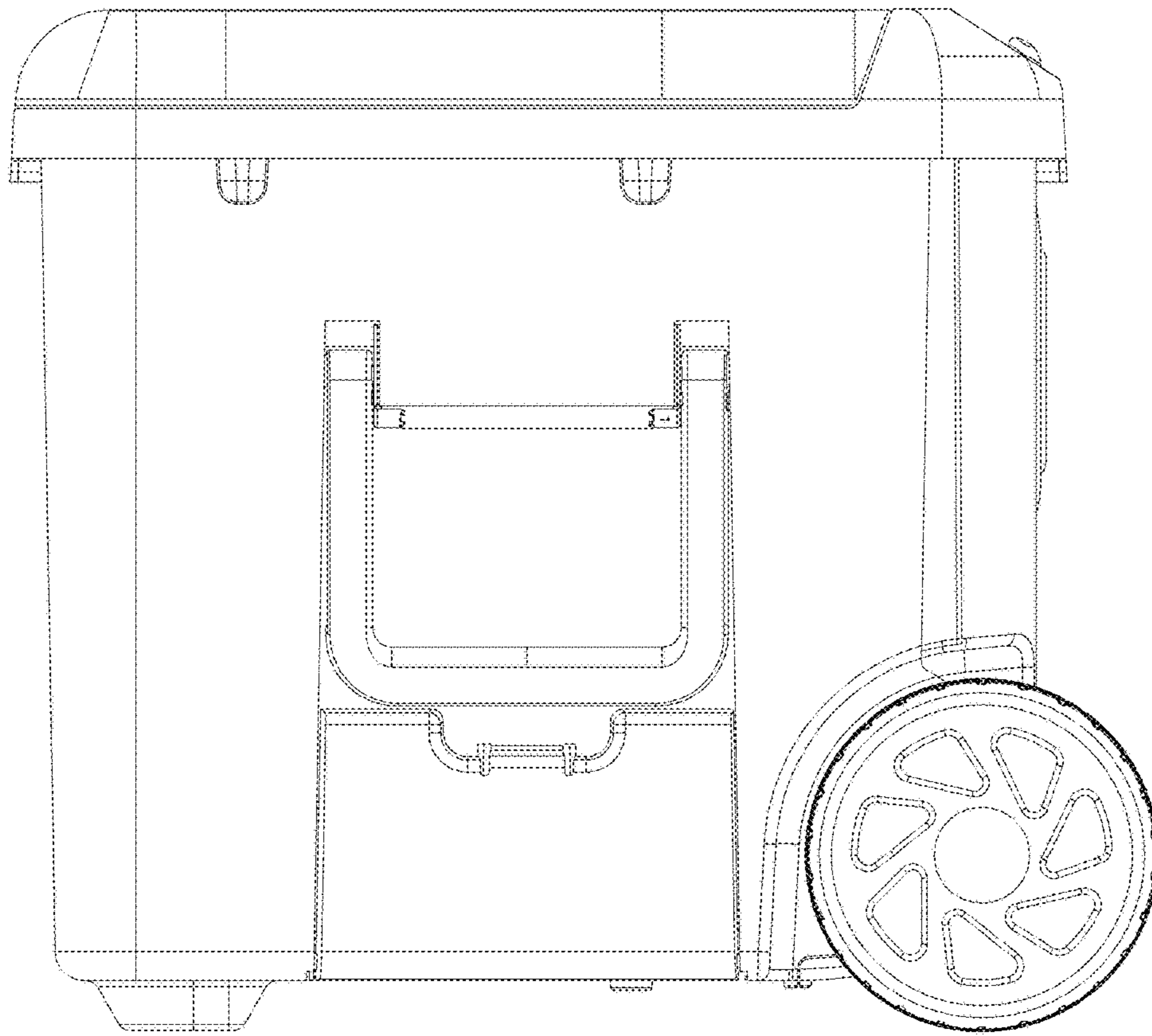


Fig. 6

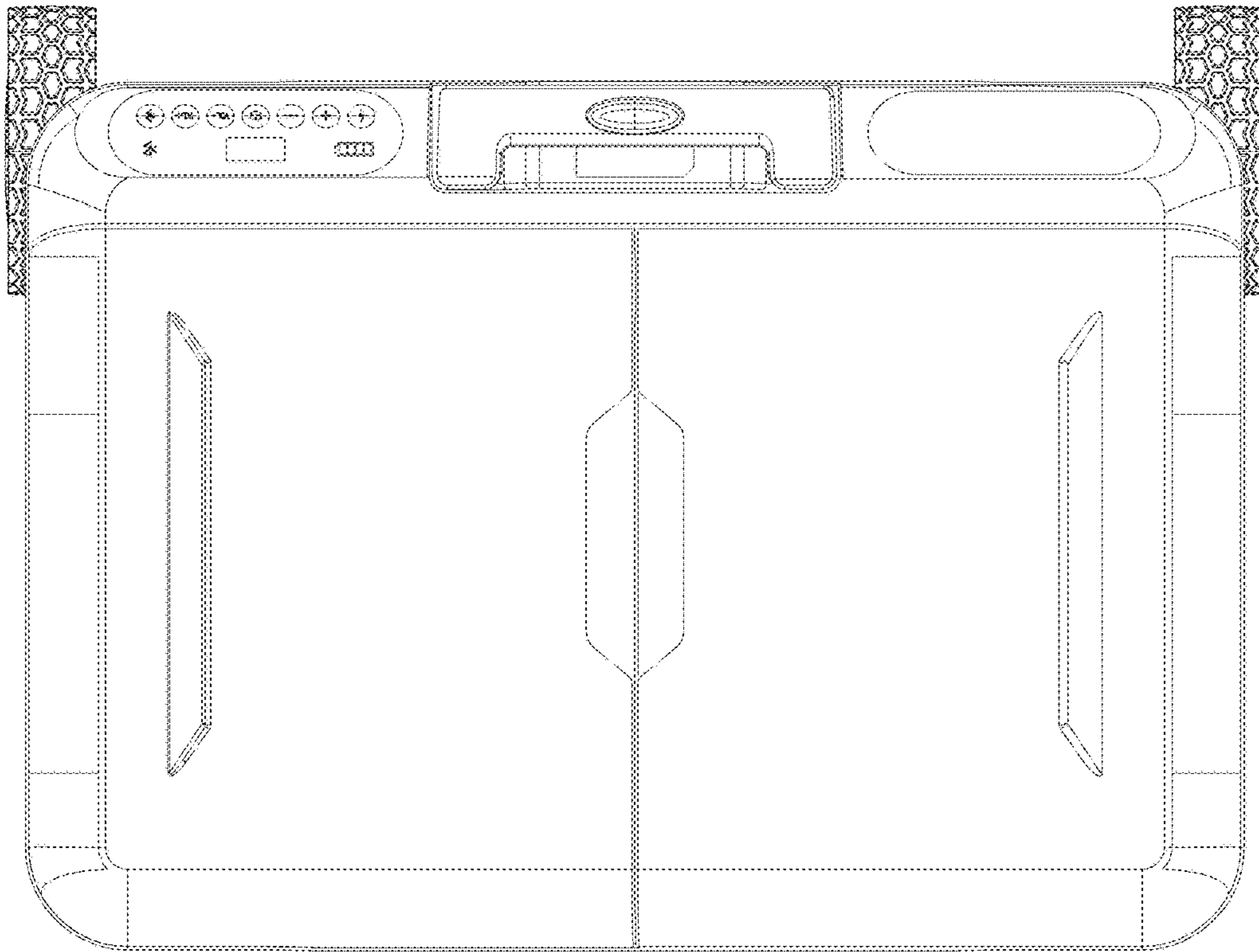


Fig. 7

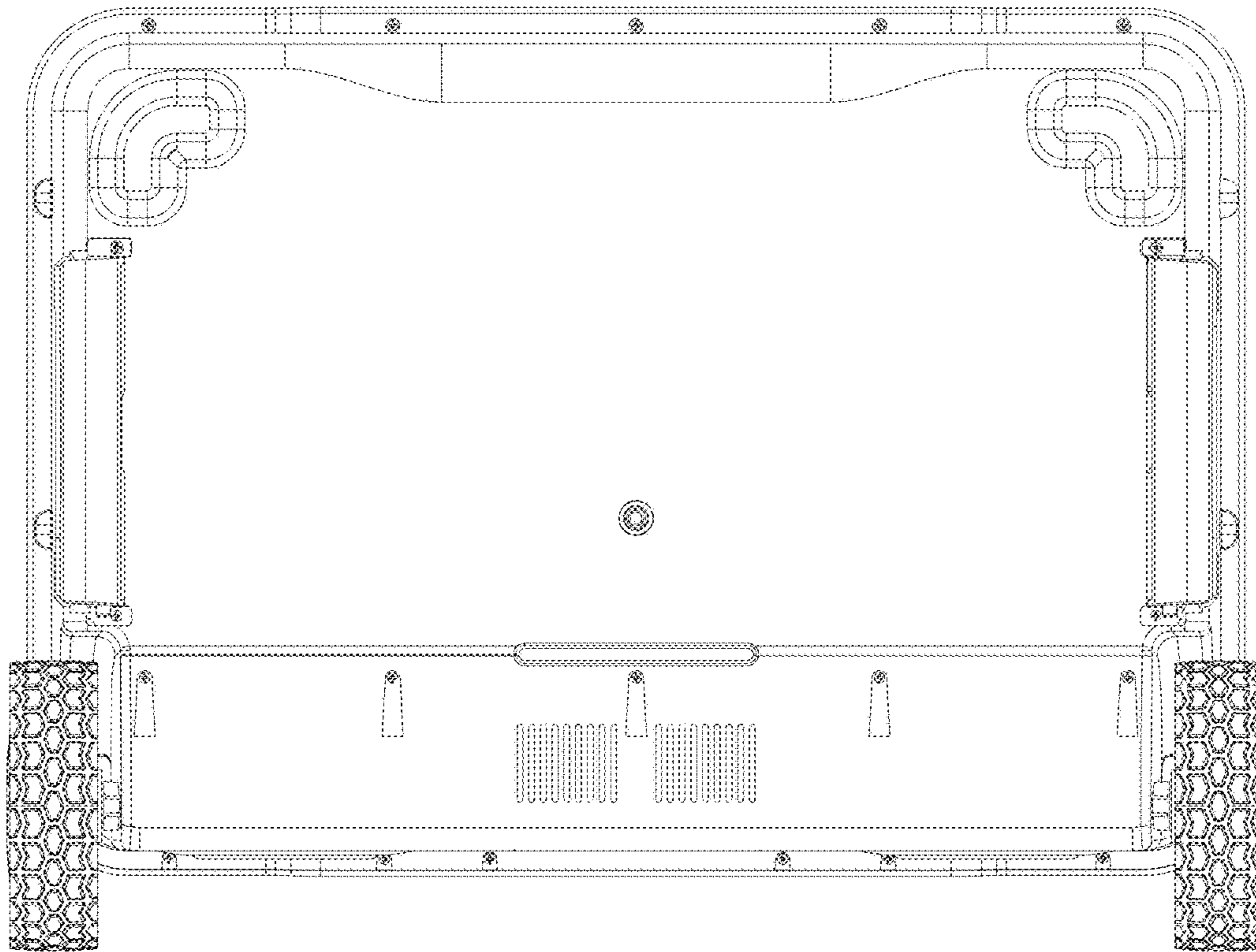


Fig. 8

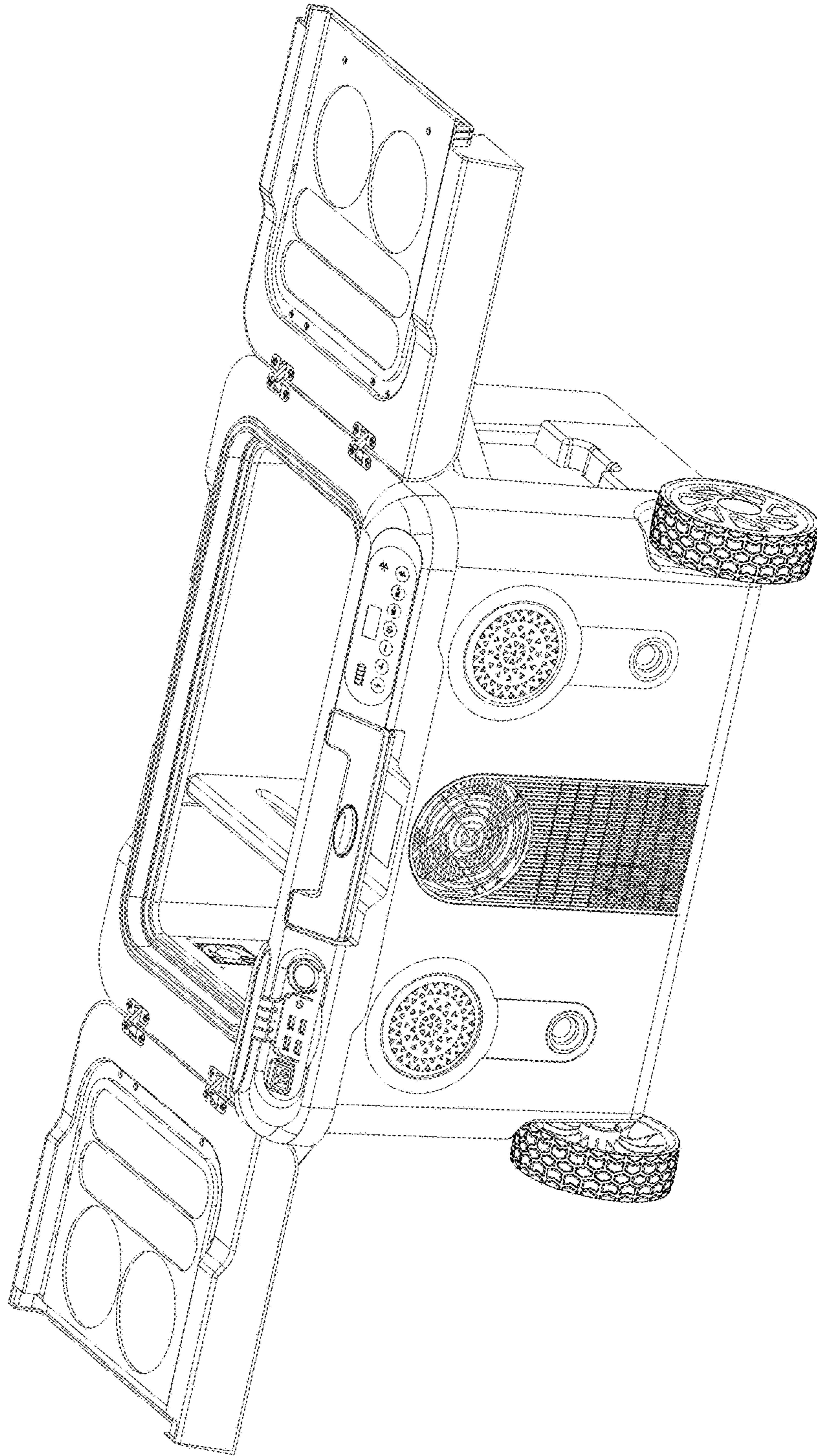


Fig. 9

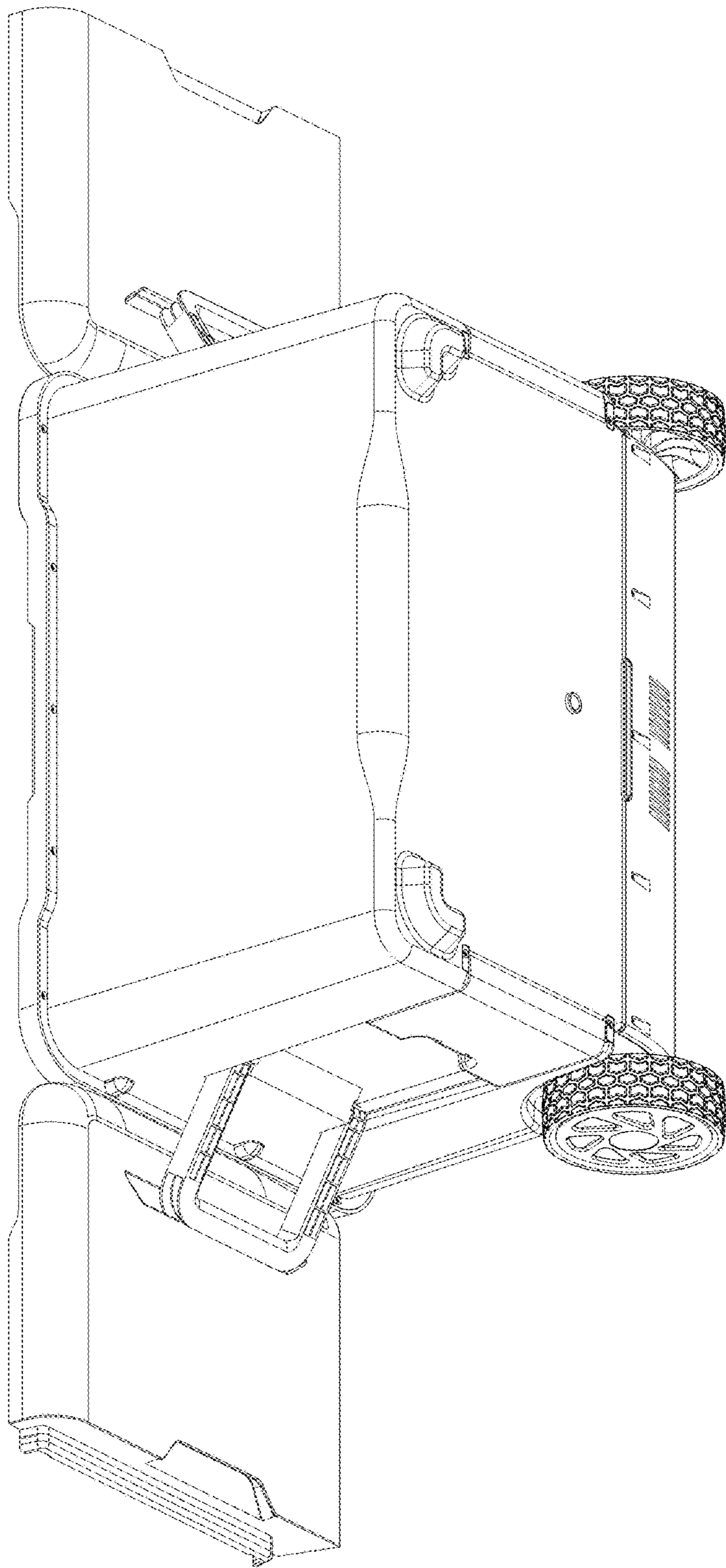


Fig. 10