



US00D828407S

(12) **United States Design Patent** (10) **Patent No.:** **US D828,407 S**  
**Manuel et al.** (45) **Date of Patent:** **\*\* Sep. 11, 2018**

(54) **SEWING MACHINE**

(56) **References Cited**

(71) Applicant: **PFAFF INDUSTRIESYSTEME UND MASCHINEN GMBH**, Kaiserslautern (DE)

U.S. PATENT DOCUMENTS

(72) Inventors: **Karl-Ludwig Manuel**, Otterbach (DE);  
**Christian Barsties**, Weilerbach (DE)

D250,116 S	*	10/1978	LaPolice	.....	D15/69
D375,104 S	*	10/1996	Shibuya	.....	D15/69
D465,794 S	*	11/2002	Tsai	.....	D15/69
D468,324 S	*	1/2003	Tsai	.....	D15/69
D515,107 S	*	2/2006	Kawaguchi	.....	D15/69
D515,108 S	*	2/2006	Kawaguchi	.....	D15/69
D515,109 S	*	2/2006	Iwai	.....	D15/69
D523,031 S	*	6/2006	Muto	.....	D15/69
D693,378 S	*	11/2013	Yamamoto	.....	D15/69
D727,373 S	*	4/2015	Drechsel	.....	D15/69
D752,659 S	*	3/2016	Schneider	.....	D15/69
D753,732 S	*	4/2016	Schneider	.....	D15/69
D804,540 S	*	12/2017	Kanai	.....	D15/69

(73) Assignee: **Pfaff Industriesysteme Und Maschinen GmbH** (DE)

(\*\*) Term: **15 Years**

\* cited by examiner

(21) Appl. No.: **35/502,066**

*Primary Examiner* — Richard E Chilcot

(22) Filed: **Aug. 1, 2016**

(74) *Attorney, Agent, or Firm* — Lucian Wayne Beavers;  
Patterson Intellectual Property Law, PC

(80) **Hague Agreement Data**

Int. Filing Date: **Aug. 1, 2016**

Int. Reg. No.: **DM/093639**

Int. Reg. Date: **Aug. 1, 2016**

Int. Reg. Pub. Date: **Dec. 9, 2016**

(57) **CLAIM**

The ornamental design for a sewing machine, as shown and described.

(51) **LOC (11) Cl.** ..... **15-06**

(52) **U.S. Cl.**

USPC ..... **D15/69**

CPC ..... **D05B 1/00** (2013.01)

(58) **Field of Classification Search**

USPC ..... D15/66-78; 112/217.1-217.4, 255-261,  
112/475.01

CPC ..... D05B 1/00-25/00

See application file for complete search history.

**DESCRIPTION**

2. Sewing machines

2.1 : Right

2.2 : Left

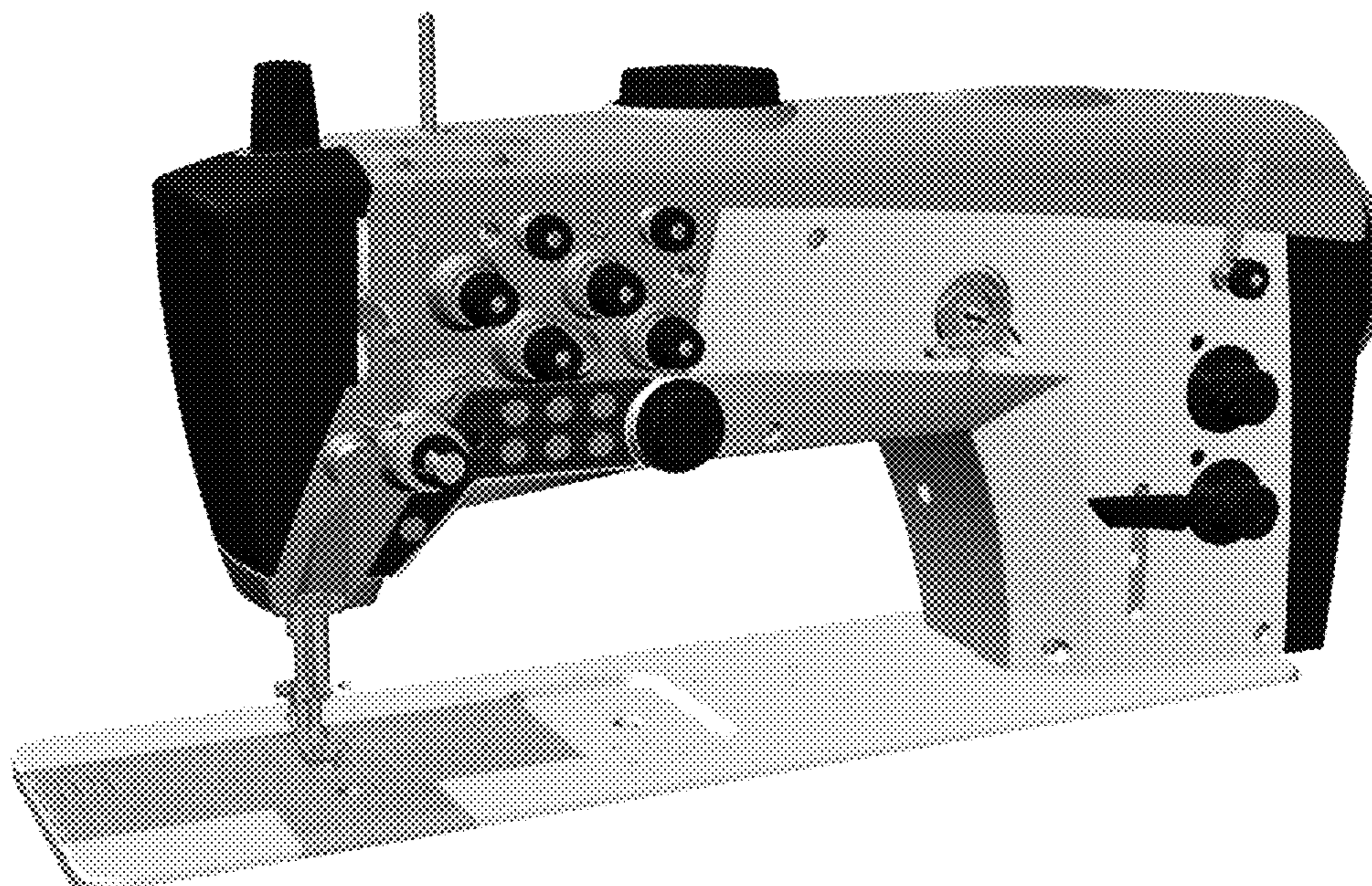
2.3 : Back

2.4 : Front

2.5 : Perspective

2.6 : Perspective

**1 Claim, 6 Drawing Sheets**

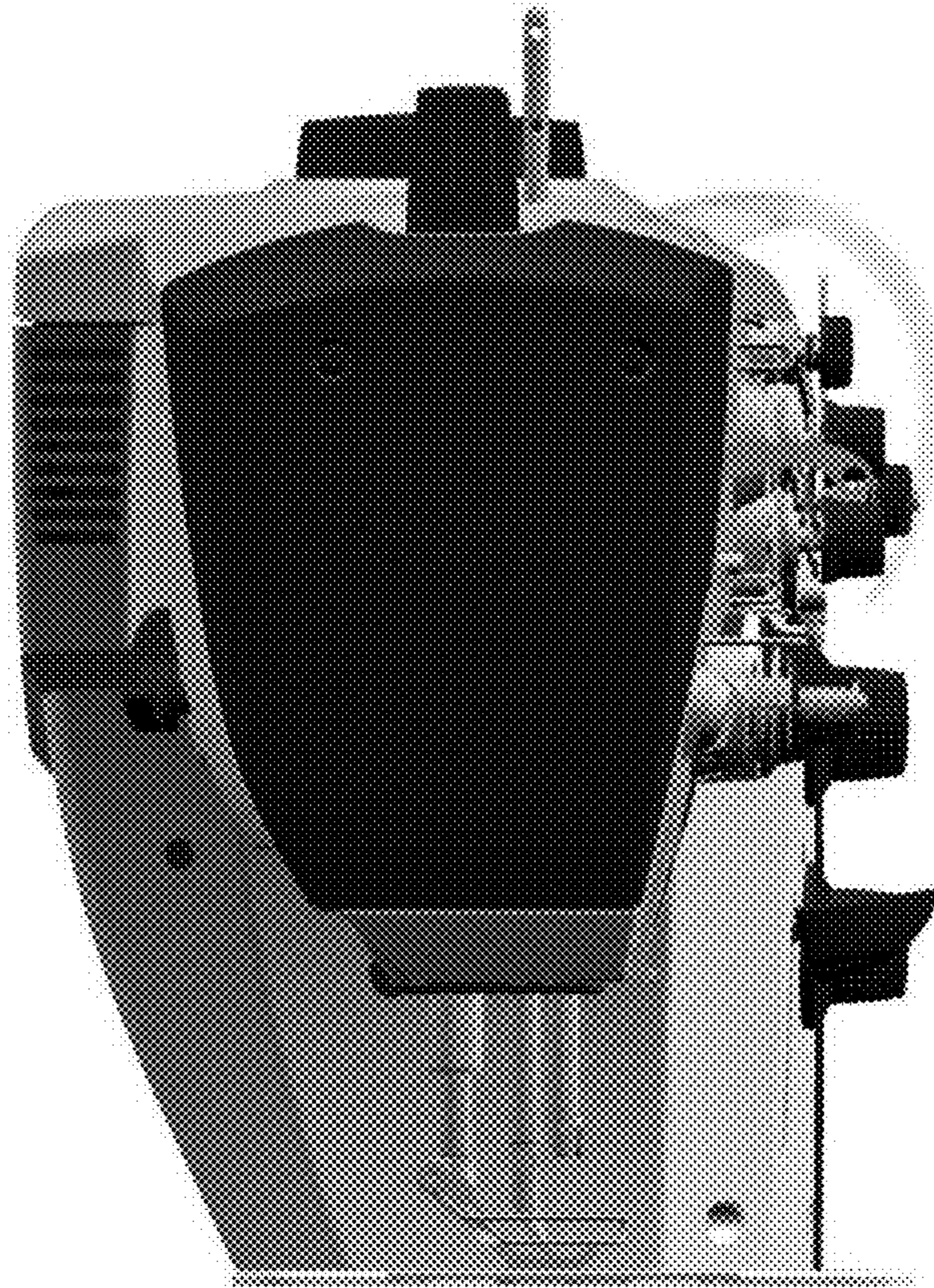


2.1

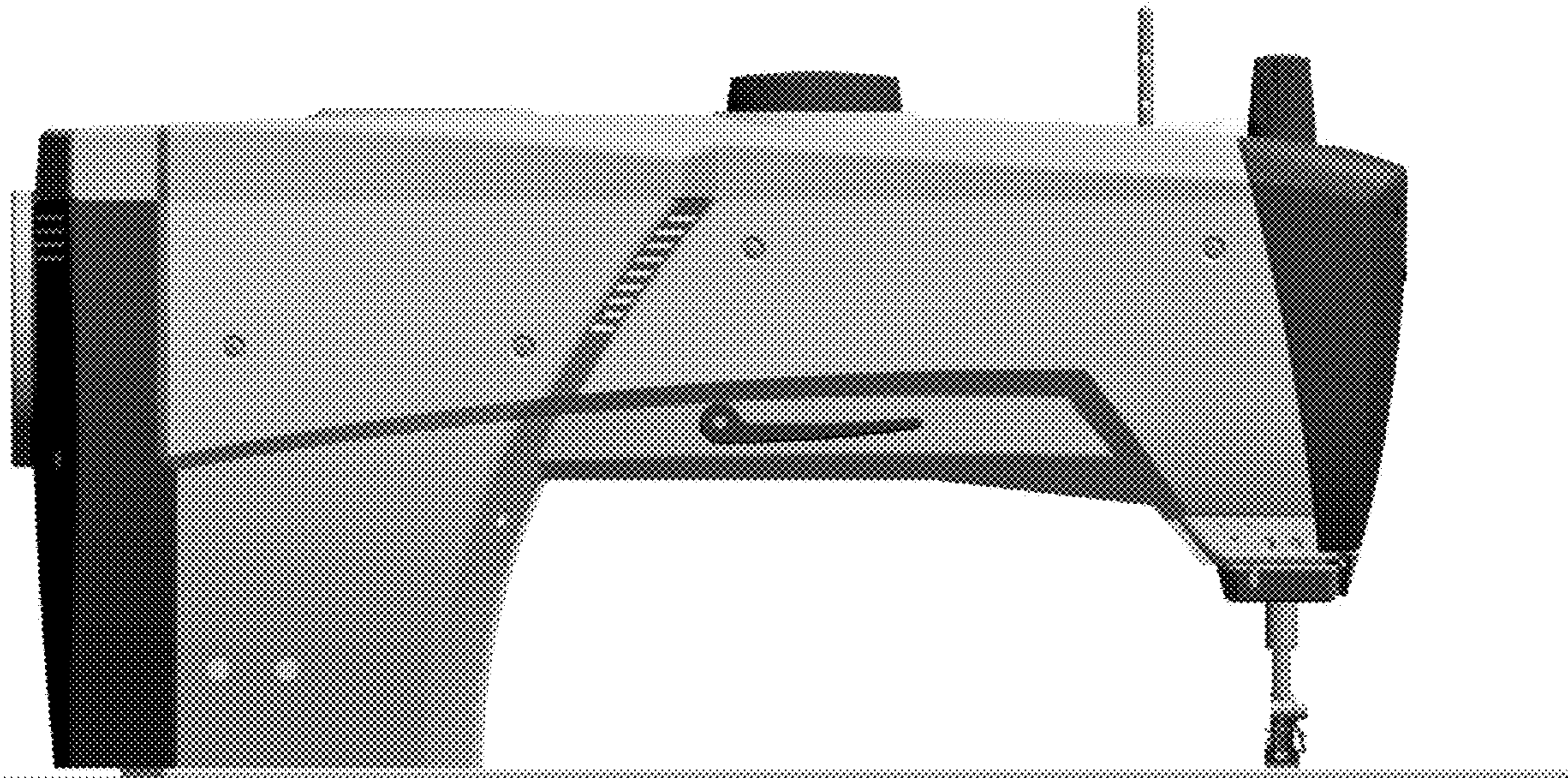




2.2

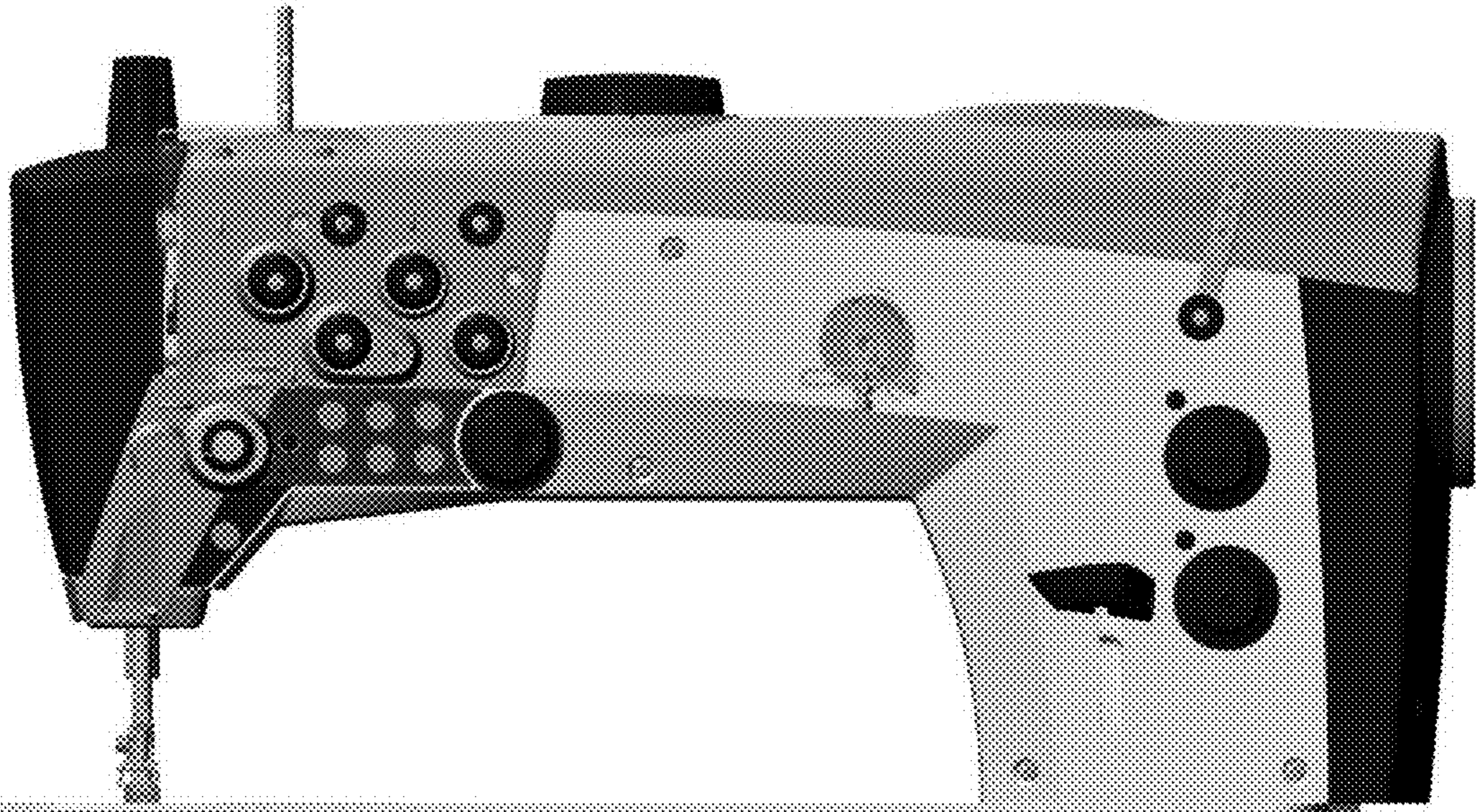


2.3

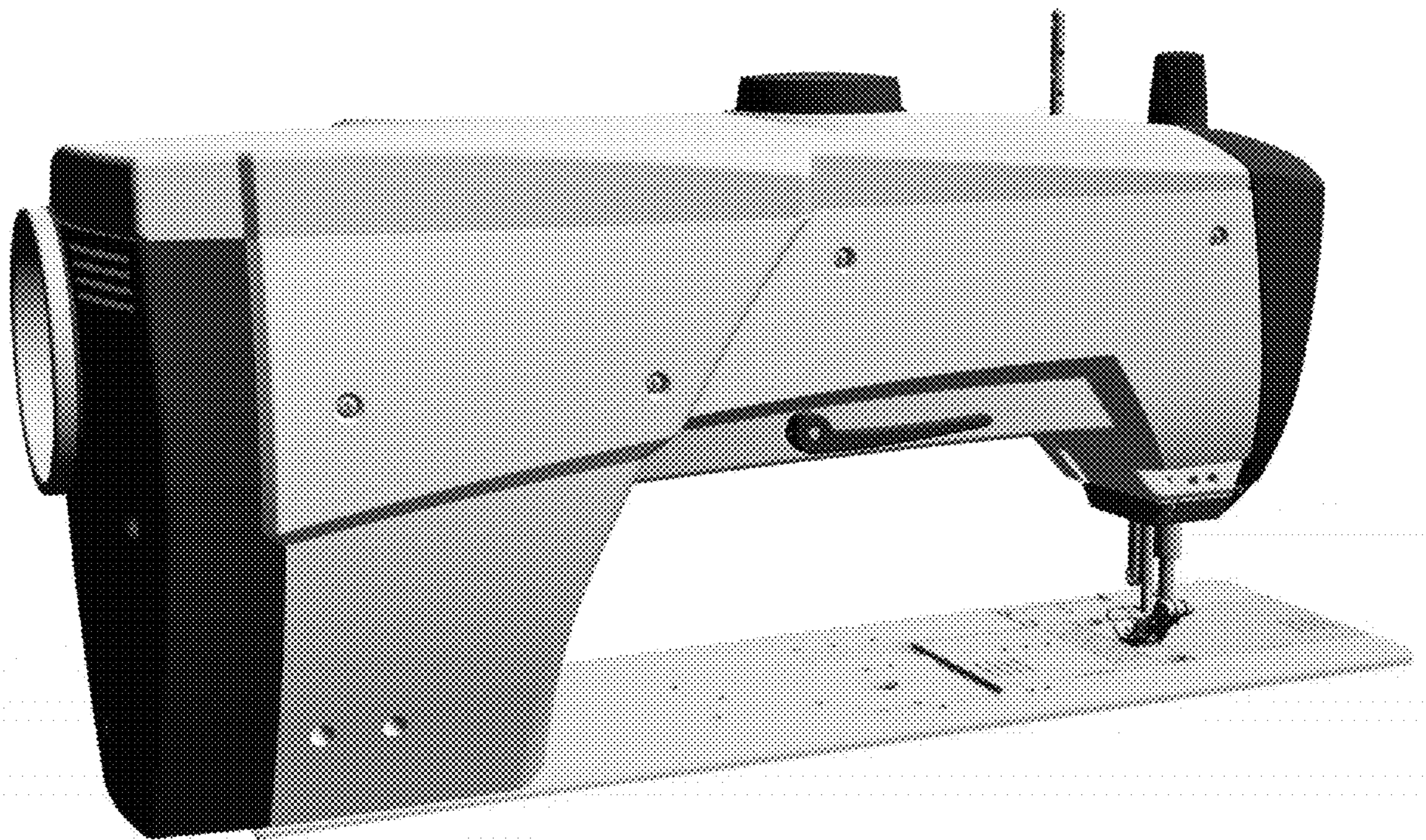




2.4



2.5





2.6

