



US00D828406S

(12) **United States Design Patent** (10) **Patent No.:** **US D828,406 S**  
**van der Zande** (45) **Date of Patent:** **\*\* Sep. 11, 2018**

(54) **LOADER**

(56) **References Cited**

(71) Applicant: **TOINE BROCK  
CONSTRUCTIE/MECHANISATIE  
B.V., Oisterwijk (NL)**

U.S. PATENT DOCUMENTS

(72) Inventor: **Edwin van der Zande, Oisterwijk (NL)**

D364,408	S	*	11/1995	Bryant	.....	D15/25
D405,807	S	*	2/1999	Amy	.....	D15/25
D604,748	S	*	11/2009	Schmidt	.....	D15/23
D609,723	S	*	2/2010	Schmidt	.....	D15/23
D610,168	S	*	2/2010	Schmidt	.....	D15/23
D610,171	S	*	2/2010	Schmidt	.....	D15/23
D682,888	S	*	5/2013	Iwata	.....	D15/25
D682,890	S	*	5/2013	Iwata	.....	D15/25
D705,273	S	*	5/2014	Furuki	.....	D15/25
D708,232	S	*	7/2014	Furuki	.....	D15/23
D756,420	S	*	5/2016	Okuyama	.....	D15/23
D758,457	S	*	6/2016	Okuyama	.....	D15/23
2010/0098522	A1	*	4/2010	Shioji	.....	E02F 3/3411 414/722
2015/0361636	A1	*	12/2015	Yoshizawa	.....	B60K 6/445 701/50

(\*\*) Term: **15 Years**

(21) Appl. No.: **35/501,969**

(22) Filed: **Feb. 5, 2016**

(80) **Hague Agreement Data**

Int. Filing Date: **Feb. 5, 2016**  
Int. Reg. No.: **DM/093479**  
Int. Reg. Date: **Feb. 5, 2016**  
Int. Reg. Pub. Date: **Nov. 25, 2016**

\* cited by examiner

*Primary Examiner* — Richard E Chilcot

(30) **Foreign Application Priority Data**

Aug. 5, 2015 (EM) ..... 002749648-0001  
Aug. 5, 2015 (EM) ..... 002749648-0002

(57) **CLAIM**

The ornamental design for a loader, as shown and described.

(51) **LOC (11) Cl.** ..... **12-05**

**DESCRIPTION**

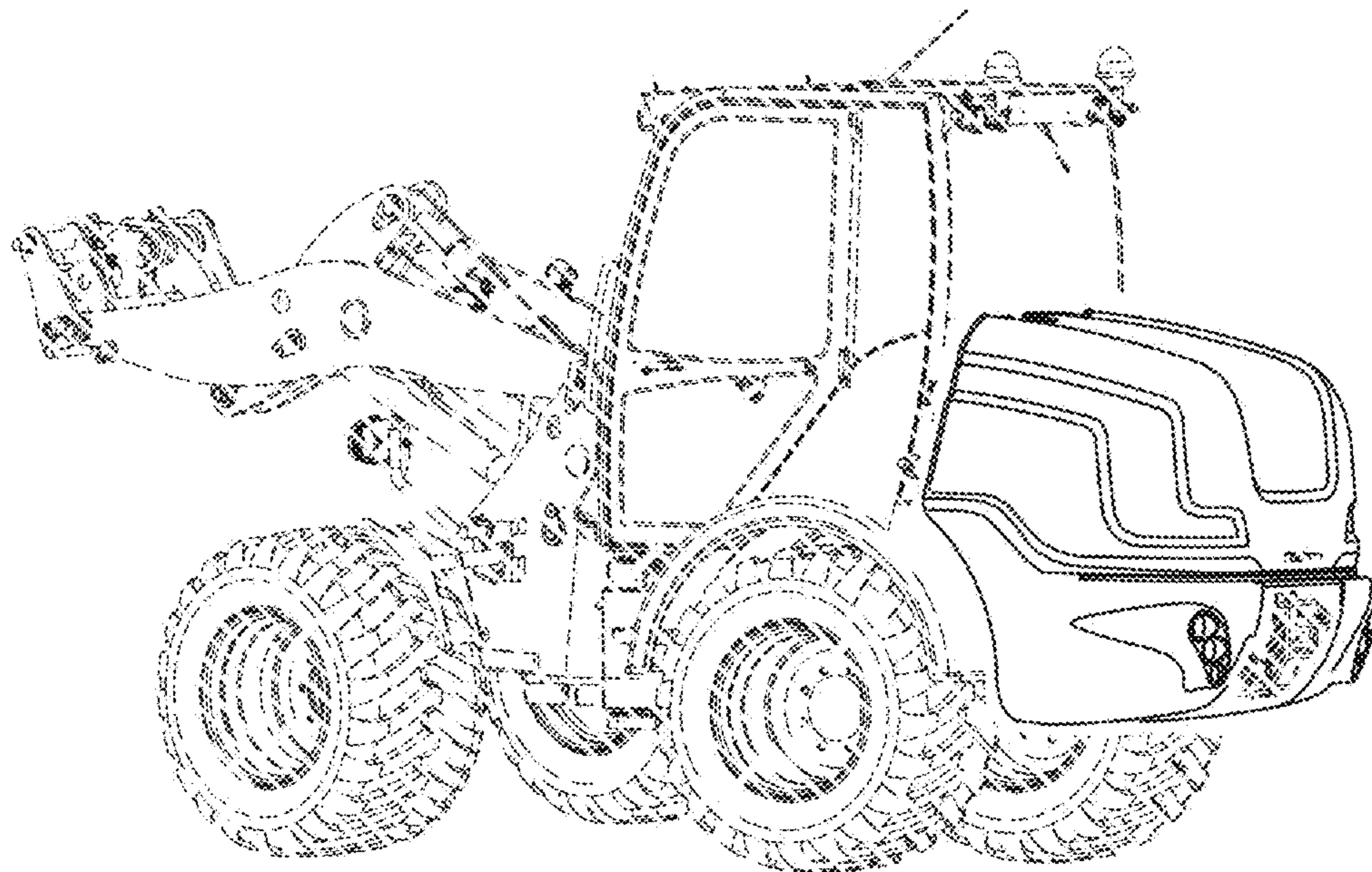
(52) **U.S. Cl.**  
USPC ..... **D15/23**  
CPC ..... **E02F 9/0841 (2013.01)**

(58) **Field of Classification Search**  
USPC ..... D15/10, 22-26, 33; D21/431; 37/409,  
37/442, 443; 180/89.1-89.13;  
296/190.03; 414/685, 694, 722, 724  
CPC ..... E02F 9/0841; E02F 3/3411; E02F 3/76;  
E02F 3/34; E02F 3/00; E02F 7/00; B62D  
21/186; B62D 53/028

1. Loader  
Figure 1.2 is a side view of a part of a loader showing our new design.  
Figure 1.3 is a rear view of a part thereof.  
Figure 1.4 is a rear perspective view thereof.  
The broken lines showing parts of the tractor are included for the purpose of illustrating portions of the tractor and form no part of the claimed design.

See application file for complete search history.

**1 Claim, 3 Drawing Sheets**



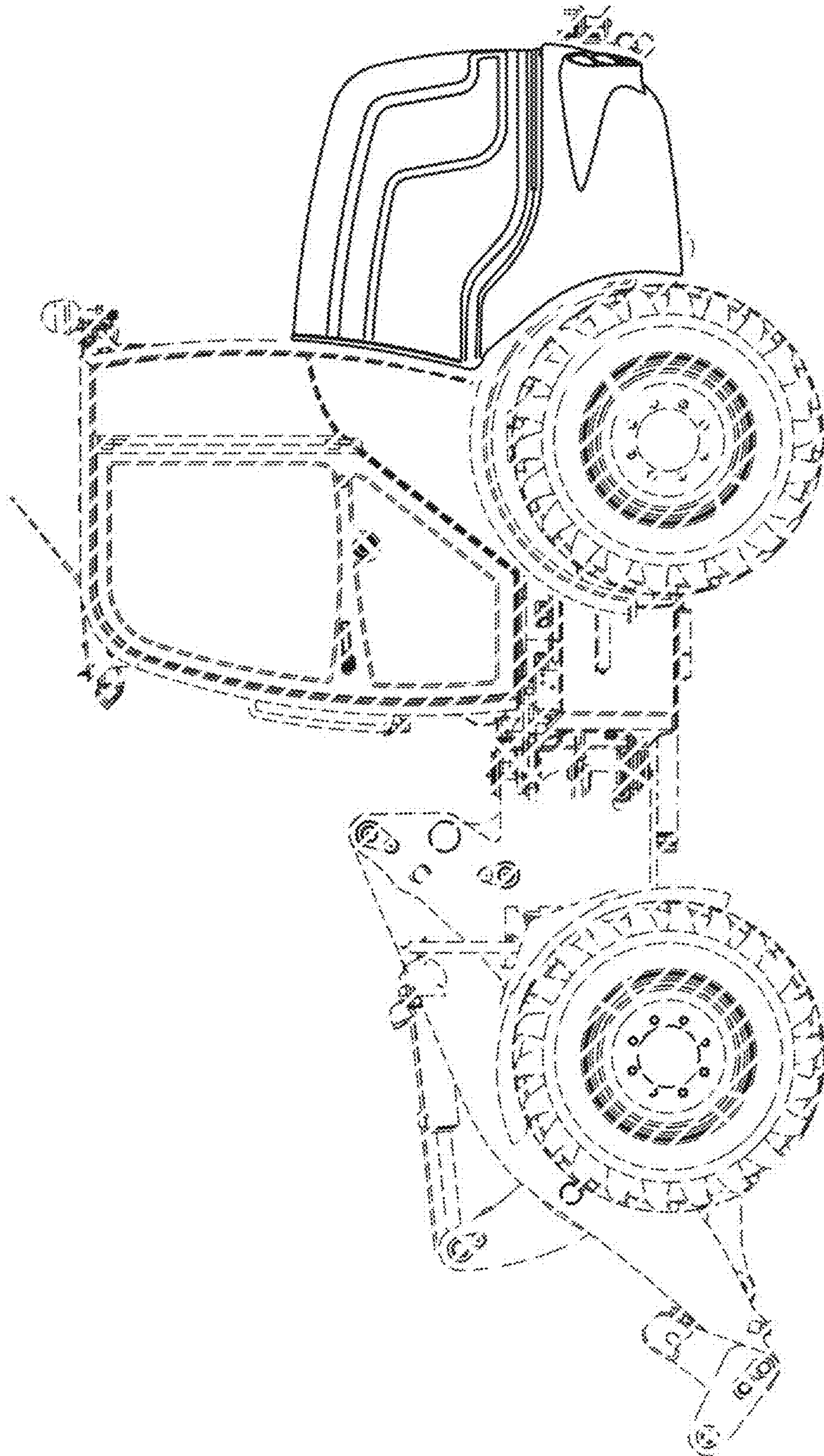


FIG. 1.2



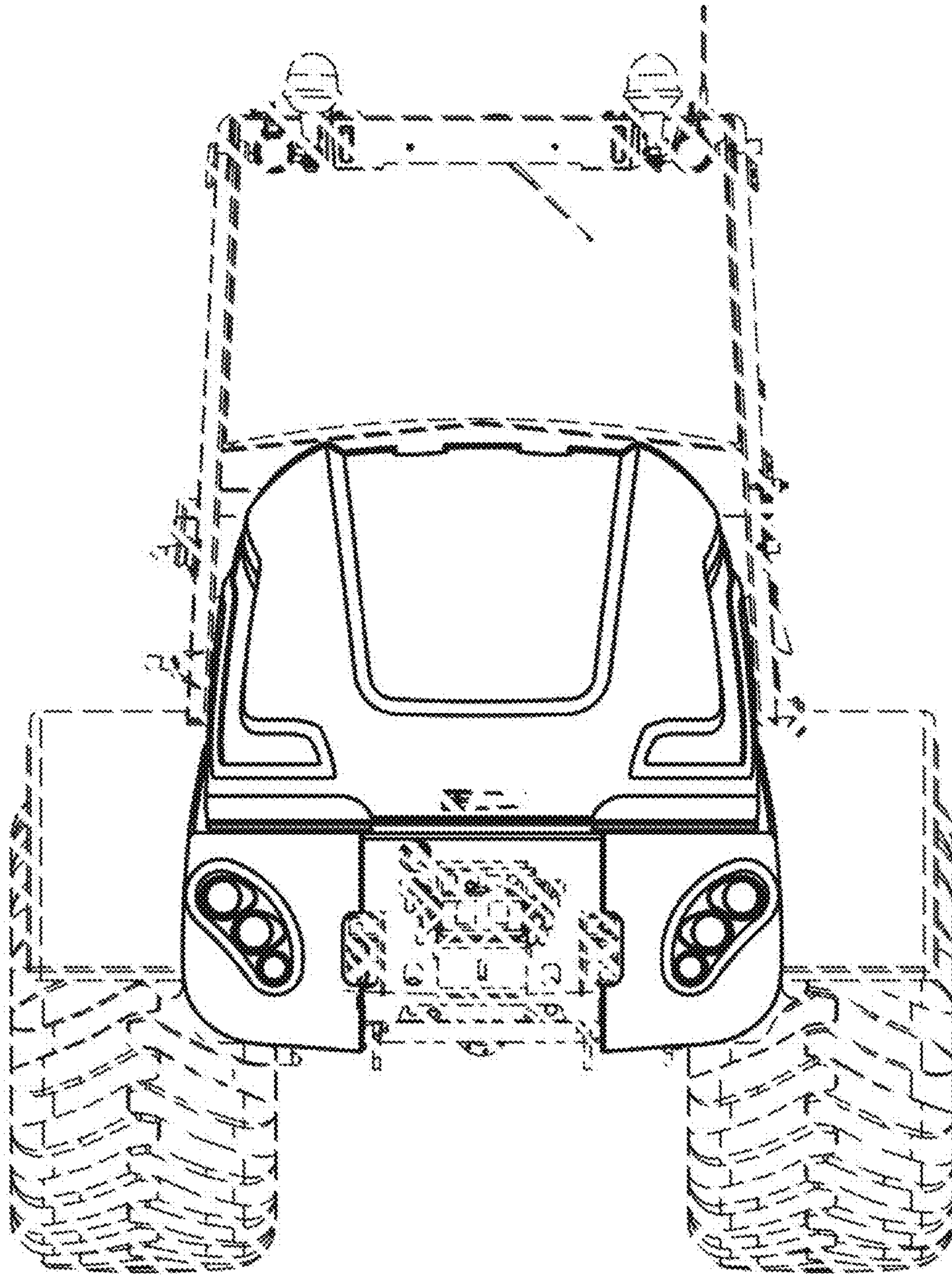


FIG. 1.3

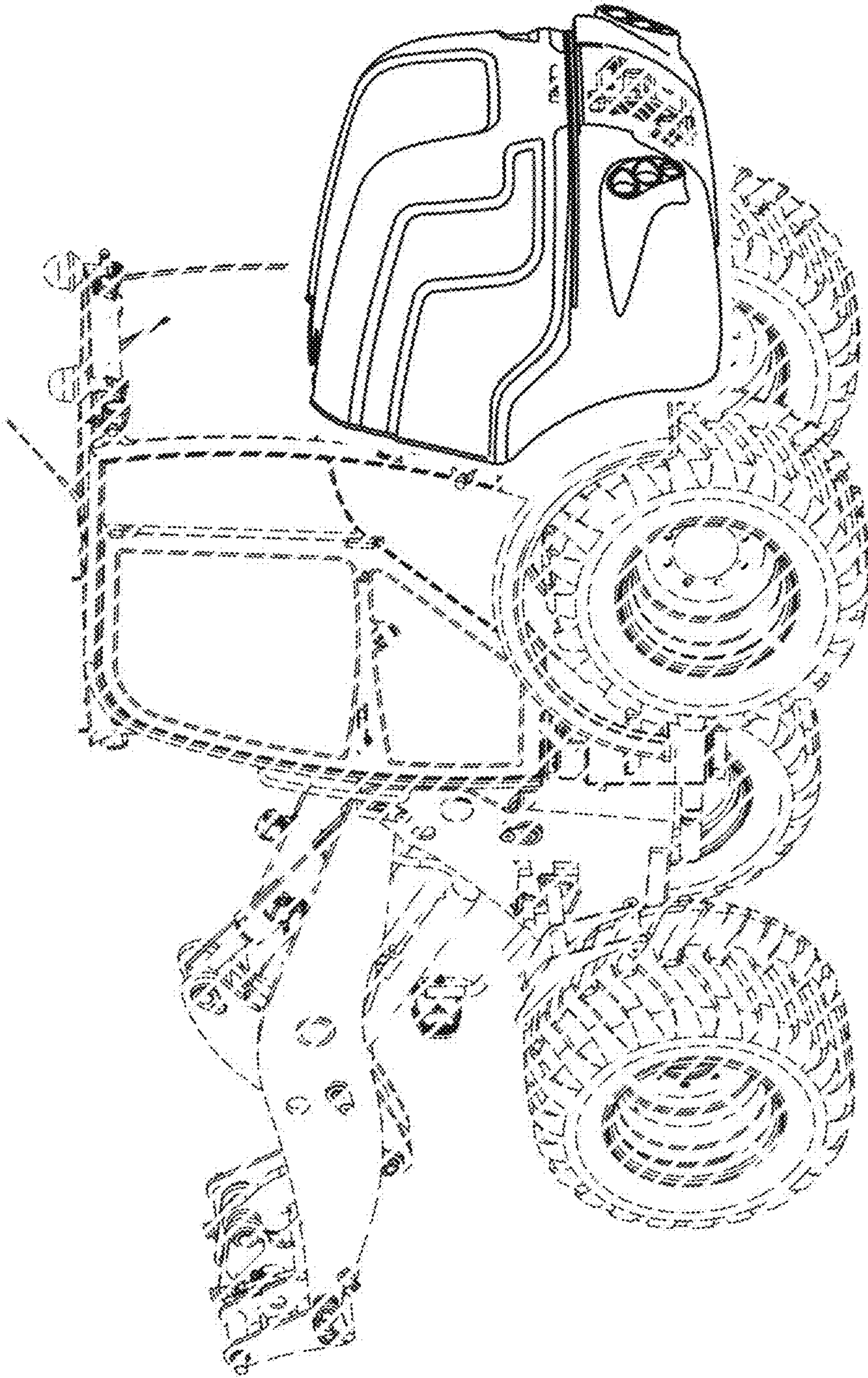


FIG. 1.4