



US00D828405S

(12) **United States Design Patent**
Lee et al.

(10) **Patent No.:** **US D828,405 S**
(45) **Date of Patent:** **** Sep. 11, 2018**

(54) **HYDROGEN DISPENSER**

(71) Applicant: **SHELL OIL COMPANY**, Houston, TX (US)

(72) Inventors: **Dongkyu Lee**, Munich (DE); **Per Tommy Forsgren**, Warngau (DE); **Tithima Supavanichyanont**, Munich (DE)

(73) Assignee: **SHELL OIL COMPANY**, Houston, TX (US)

(**) Term: **15 Years**

(21) Appl. No.: **29/614,552**

(22) Filed: **Aug. 21, 2017**

(30) **Foreign Application Priority Data**

Feb. 21, 2017 (GB) 6007722

(51) **LOC (11) Cl.** **15-02**

(52) **U.S. Cl.**
USPC **D15/9.1**

(58) **Field of Classification Search**
USPC D15/7-9.3; D23/231, 232, 225; 417/60, 417/235, 265, 321, 355, 358, 363, 359, 417/410.1, 415-416, 405, 900; 60/408, 60/412; 184/26-37; 415/140-147; 123/495, 509; 222/71, 74, 330
CPC ... B67D 5/22; B67D 5/12; B67D 5/08; D67D 5/06; G06F 7/08

See application file for complete search history.

(56) **References Cited**

U.S. PATENT DOCUMENTS

D237,101 S *	10/1975	Loy et al.	D15/9.1
D237,825 S *	11/1975	Gray	D15/9.2
D258,361 S *	2/1981	Gray	D15/9.1
D342,525 S *	12/1993	Bloemen	D15/9.1
D414,779 S *	10/1999	McSpadden	D15/9.2
D415,166 S *	10/1999	McSpadden	D15/9.2
D416,915 S *	11/1999	McSpadden	D15/9.2
D429,739 S *	8/2000	McSpadden	D15/9.2
D819,703 S *	6/2018	Lee	D15/9.1

* cited by examiner

Primary Examiner — Ralf Seifert

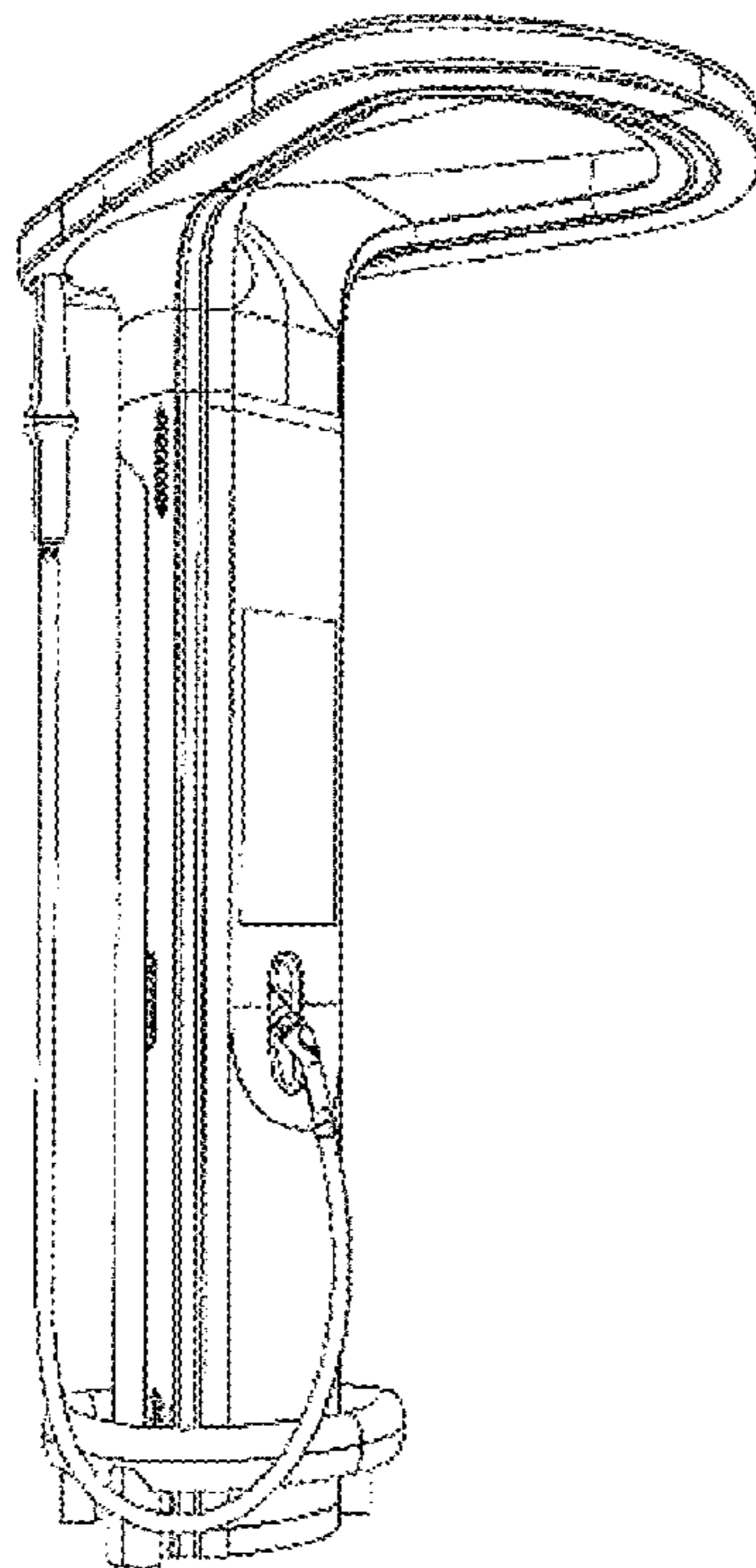
(57) **CLAIM**

The ornamental design for a hydrogen dispenser, as shown.

DESCRIPTION

FIG. 1 is a perspective view of a hydrogen dispenser showing our new design;
FIG. 2 is a front elevational view thereof;
FIG. 3 is a left side elevational view thereof;
FIG. 4 is a rear elevational view thereof;
FIG. 5 is a right side elevational view thereof;
FIG. 6 is a top view thereof; and,
FIG. 7 is a bottom view thereof.

1 Claim, 7 Drawing Sheets



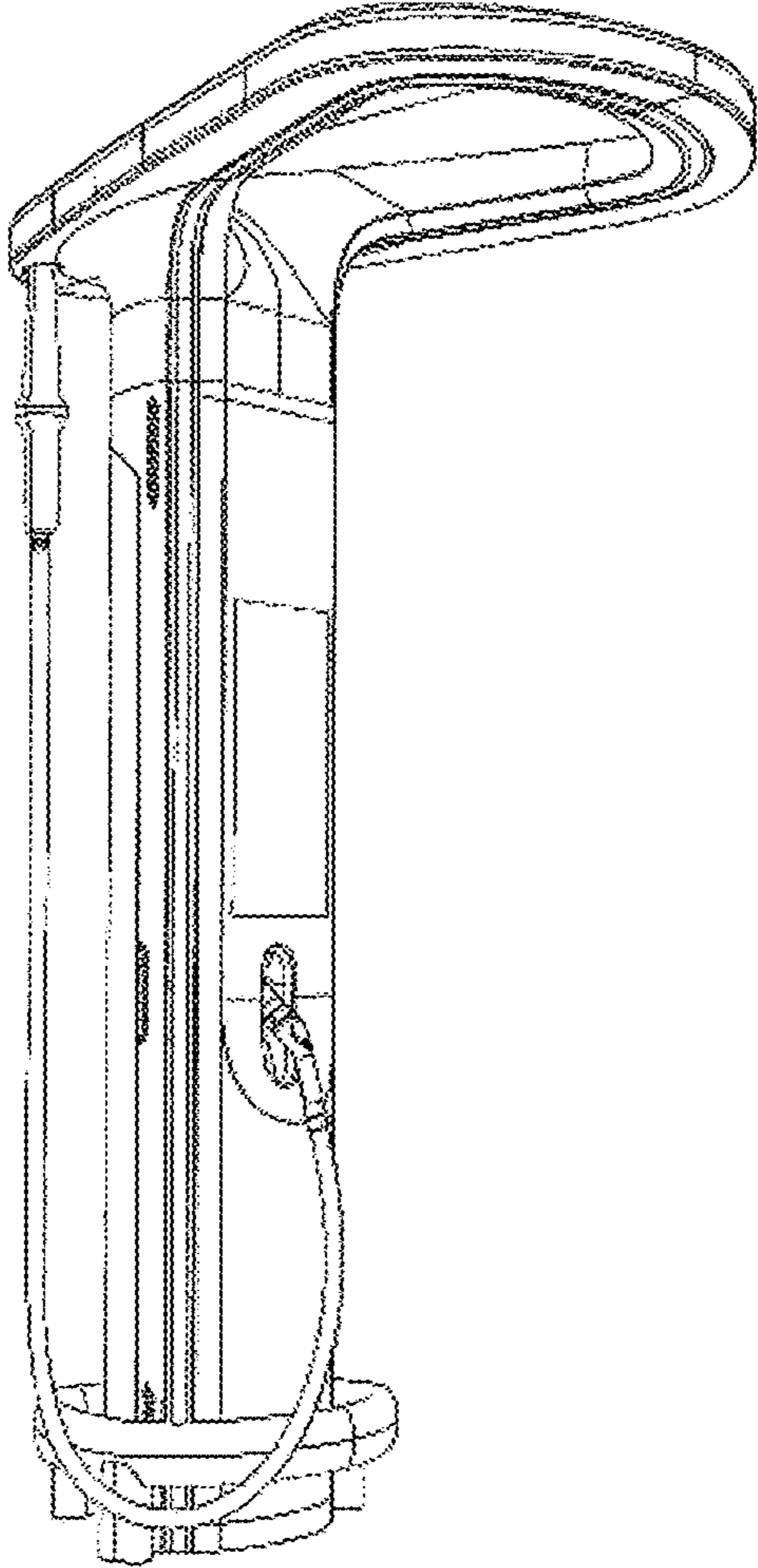


Fig 1

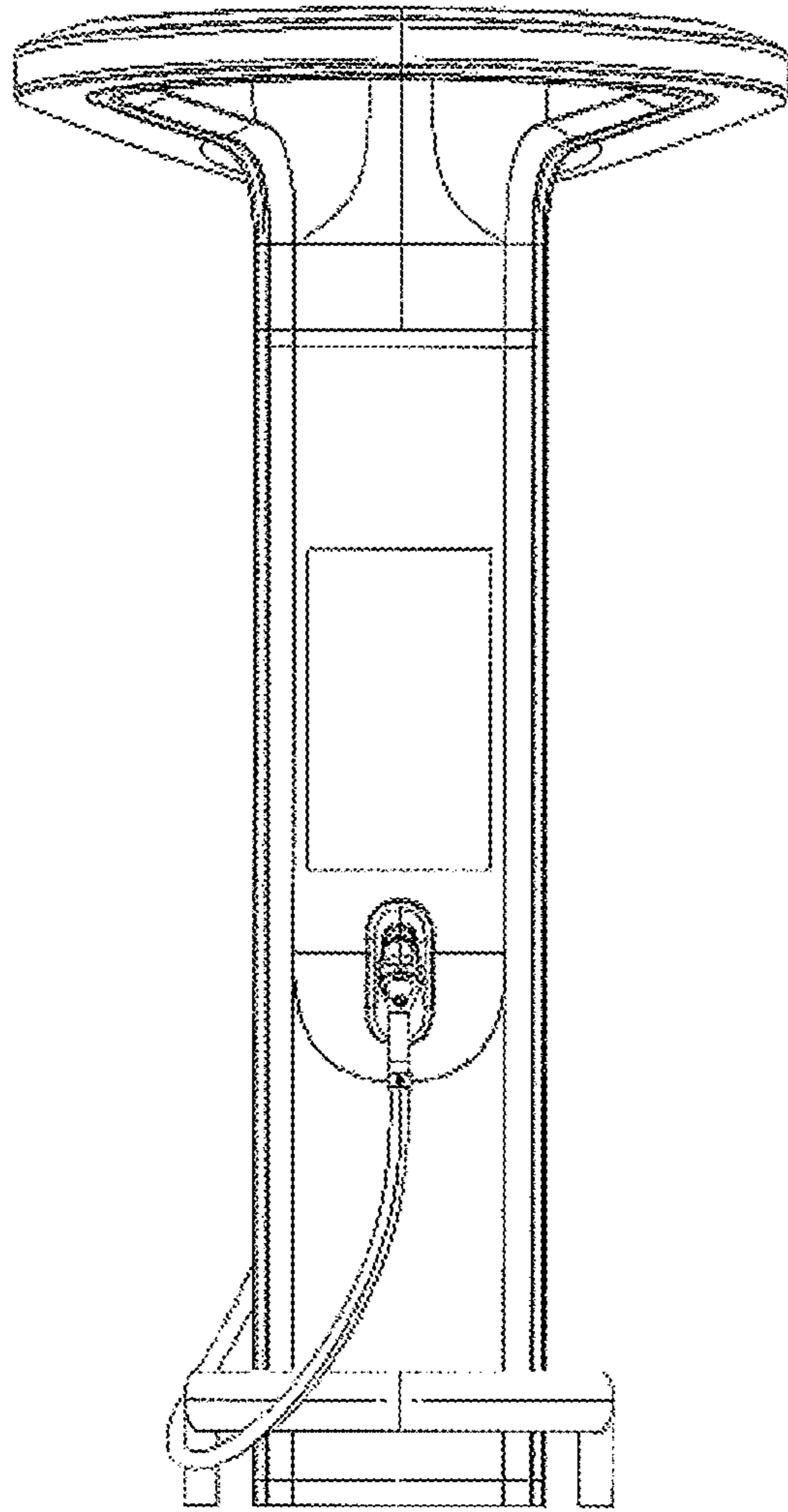


Fig 2

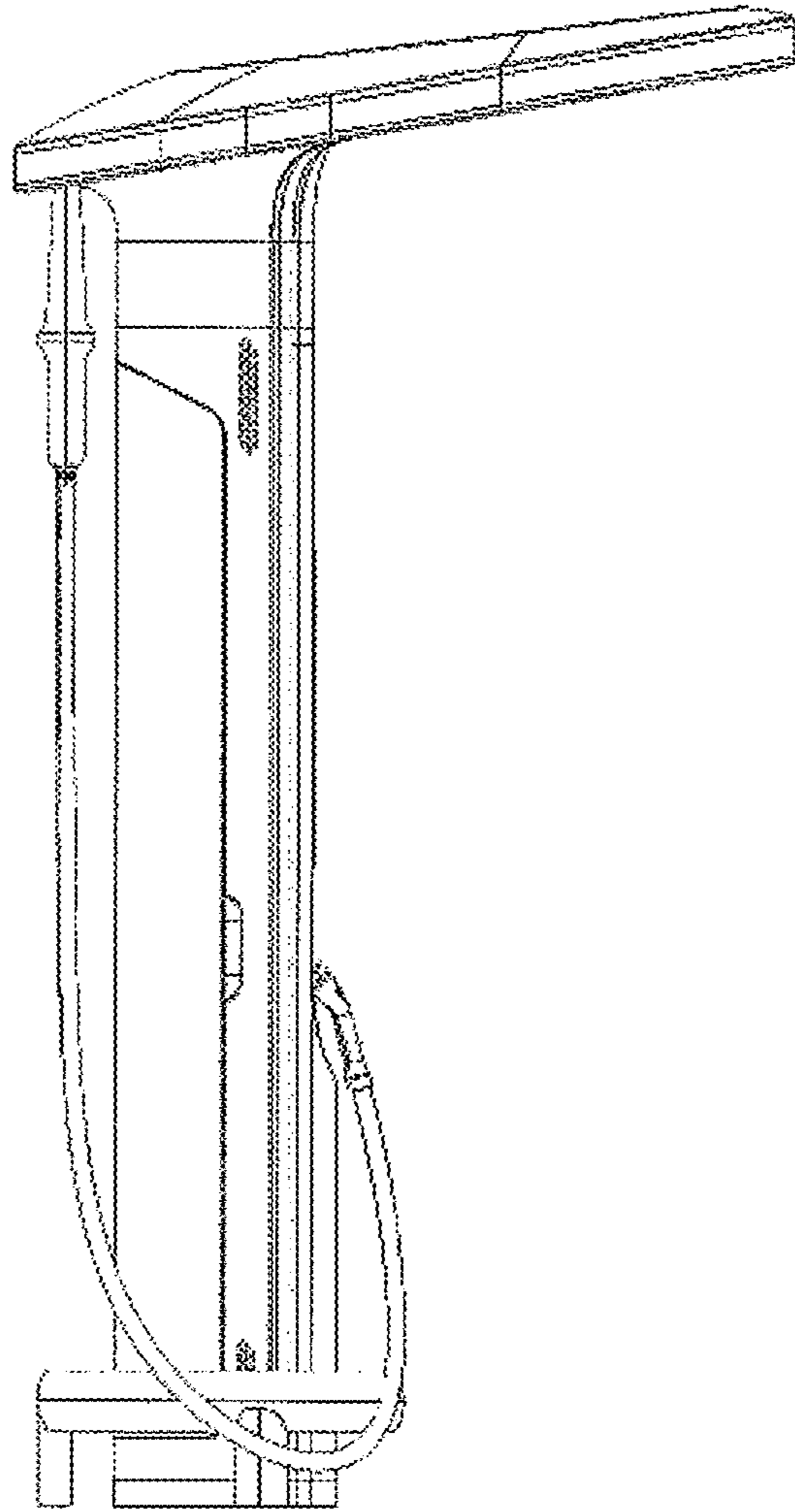


Fig 3

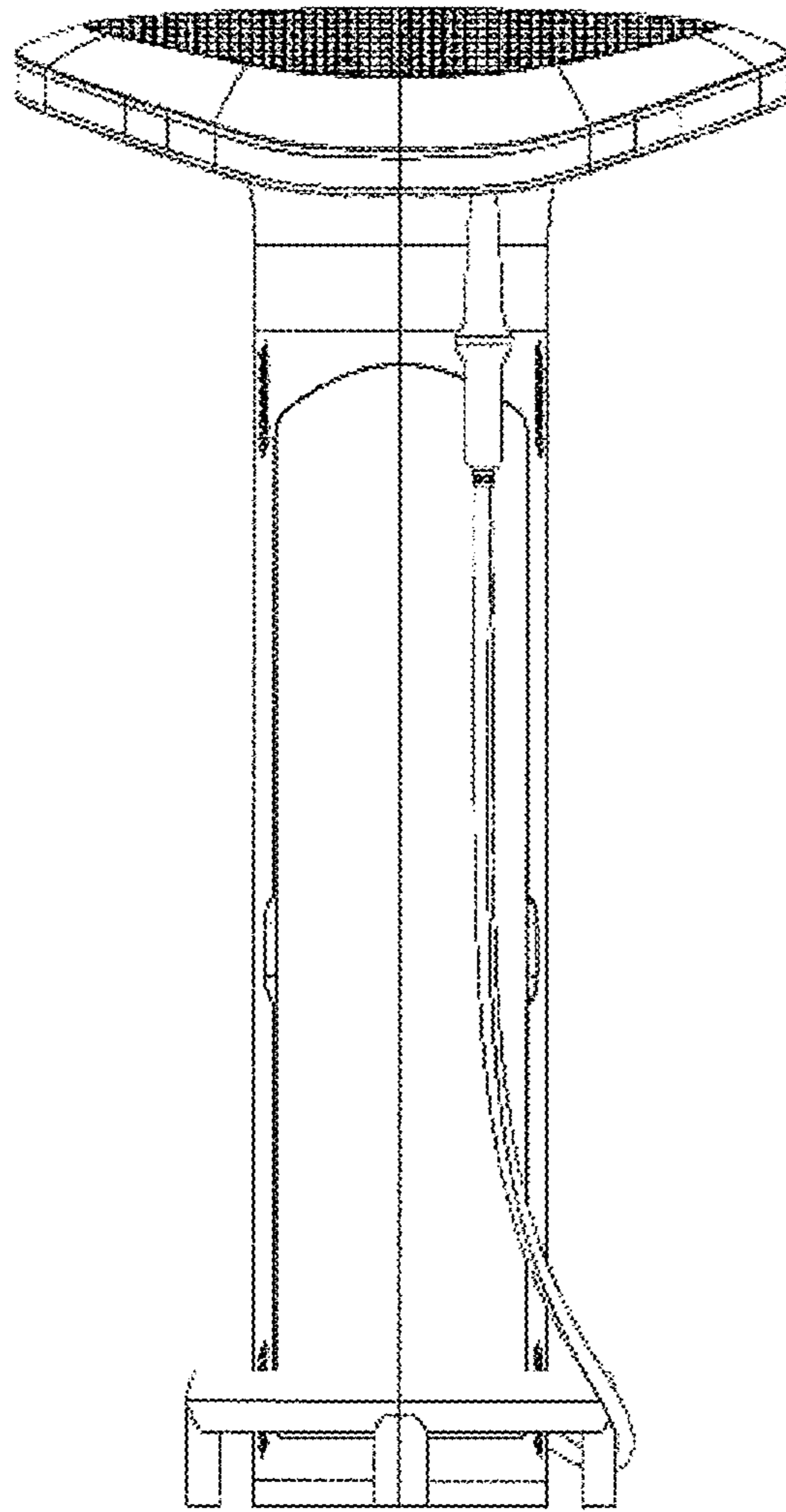


Fig 4

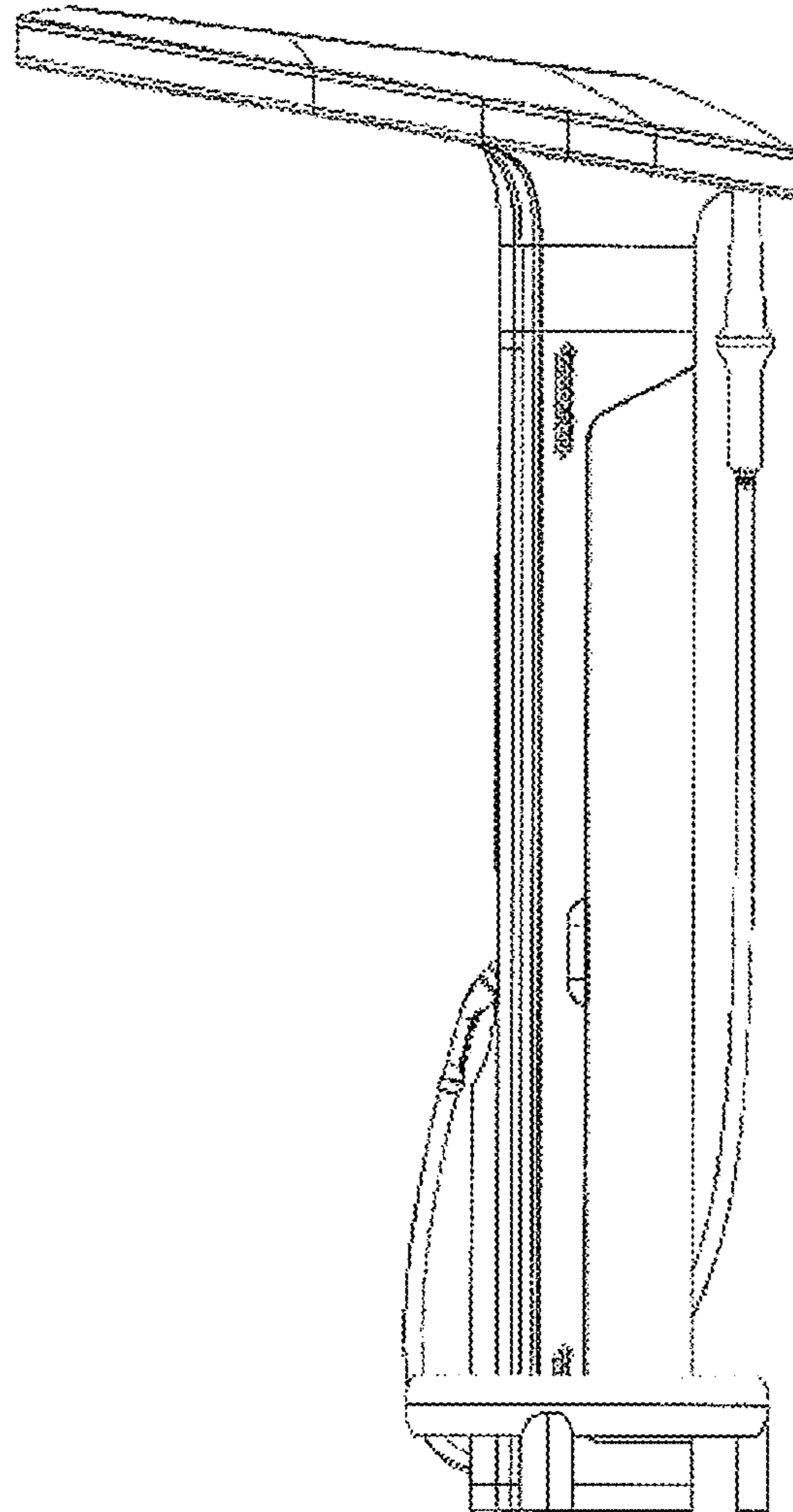


Fig 5

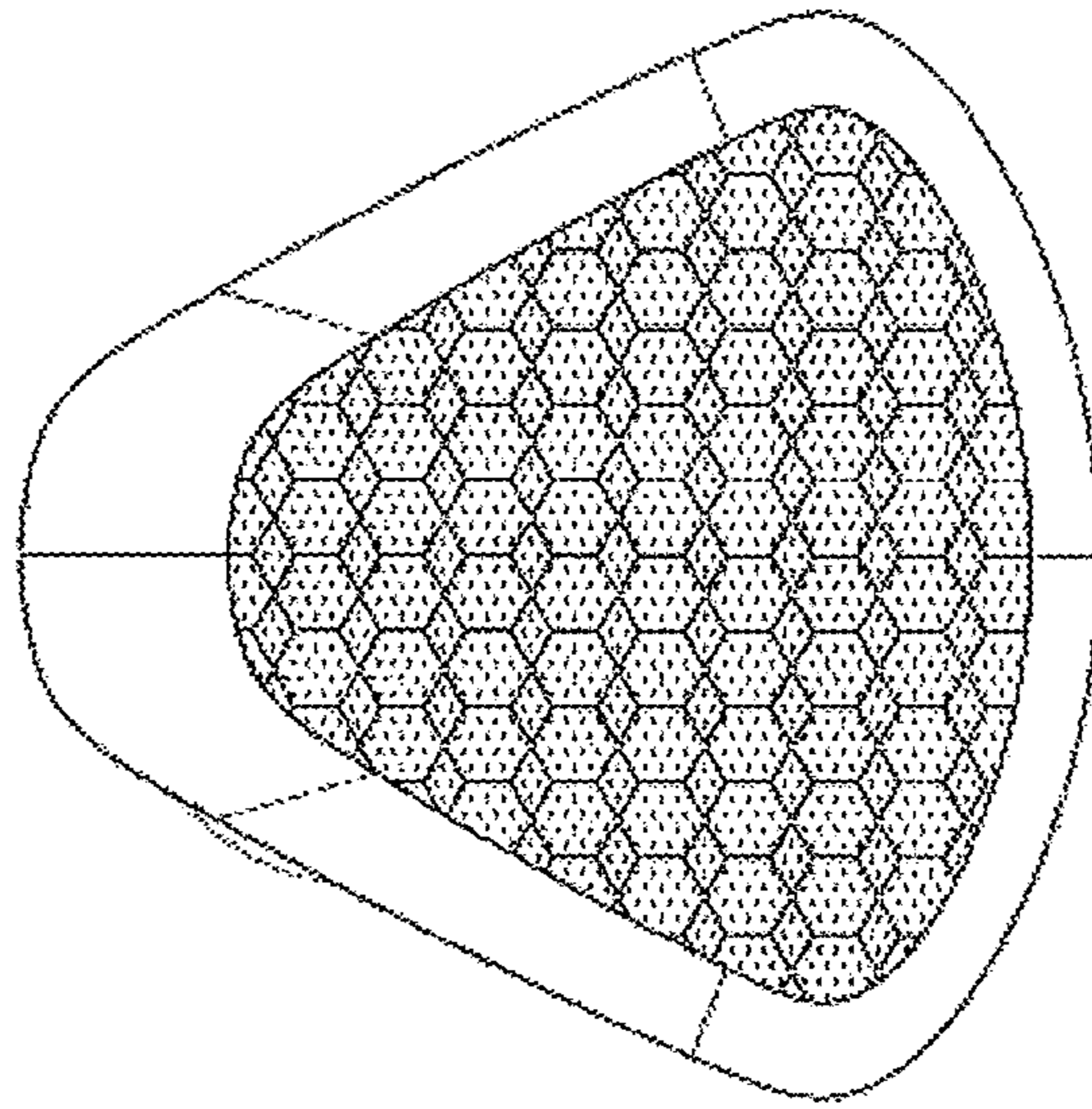


Fig 6

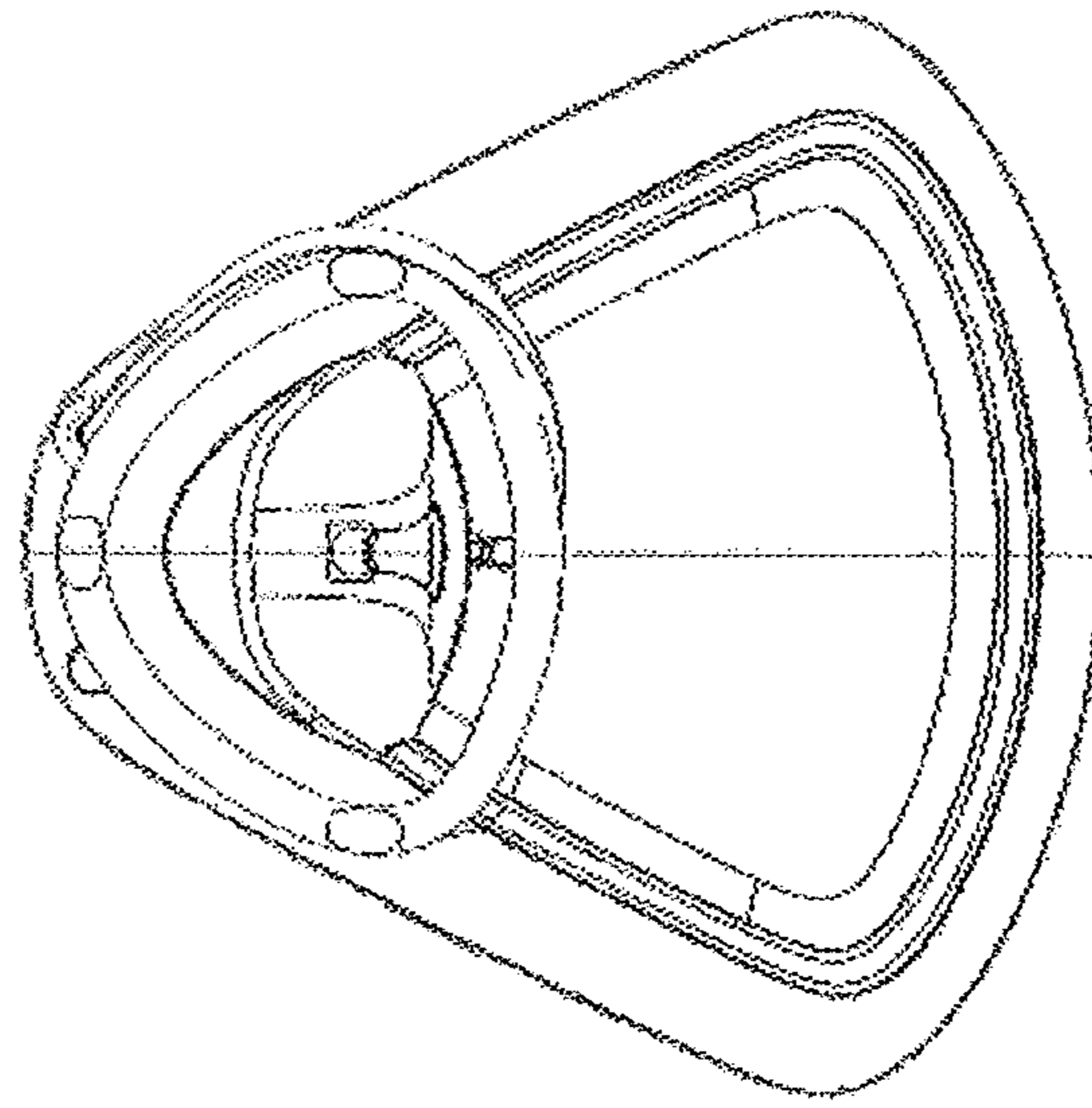


Fig 7