



US00D828404S

(12) **United States Design Patent**  
**Gan**

(10) **Patent No.:** **US D828,404 S**

(45) **Date of Patent:** **\*\* Sep. 11, 2018**

- (54) **INFLATOR**
- (71) Applicant: **SHENZHEN VALUELINK**  
**E-COMMERCE CO., LTD.**, shenzhen  
(CN)
- (72) Inventor: **Qingcao Gan**, Shenzhen (CN)
- (\*\*) Term: **15 Years**
- (21) Appl. No.: **29/618,029**
- (22) Filed: **Sep. 18, 2017**
- (51) **LOC (11) Cl.** ..... **15-02**
- (52) **U.S. Cl.**  
USPC ..... **D15/9**
- (58) **Field of Classification Search**  
USPC ..... D15/7-9; D23/231, 232, 225; 417/60,  
417/235, 265, 321, 355, 358, 363, 359,  
417/410.1, 415-416, 405, 900, 269, 539;  
60/408, 412; 184/26-37; 415/140-147;  
123/495, 509; 137/565.34  
CPC ..... F02M 37/04; F02M 37/14; F04B 53/92;  
F04B 1/005; F04D 13/06; F04D 29/22;  
F04D 29/046; F04D 29/2266  
See application file for complete search history.

D637,211 S *	5/2011	Parks	.....	D15/9
D644,252 S *	8/2011	Kojima	.....	D15/9
D657,801 S *	4/2012	Eckhardt	.....	D15/9
D683,768 S *	6/2013	McCaughey	.....	D15/9
D695,319 S *	12/2013	Ohm	.....	D15/9
D696,393 S *	12/2013	Lu	.....	D24/110
D696,394 S *	12/2013	Lu	.....	D24/110
D703,241 S *	4/2014	Eckhardt	.....	D15/9
D722,618 S *	2/2015	Wong	.....	D15/9
D723,588 S *	3/2015	Wang	.....	D15/9
D724,626 S *	3/2015	Mehta	.....	D15/9
D727,972 S *	4/2015	Jhou	.....	D15/9
D727,973 S *	4/2015	Jhou	.....	D15/9
D734,367 S *	7/2015	Jhou	.....	D15/9
D737,864 S *	9/2015	Jhou	.....	D15/9
D754,209 S *	4/2016	Chou	.....	D15/7
D778,959 S *	2/2017	Marini	.....	D15/7

\* cited by examiner

*Primary Examiner* — Ralf Seifert  
(74) *Attorney, Agent, or Firm* — Wayne & Ken, LLC;  
Tony Hom

(57) **CLAIM**

A new, original, ornamental design for an inflator, as shown and described.

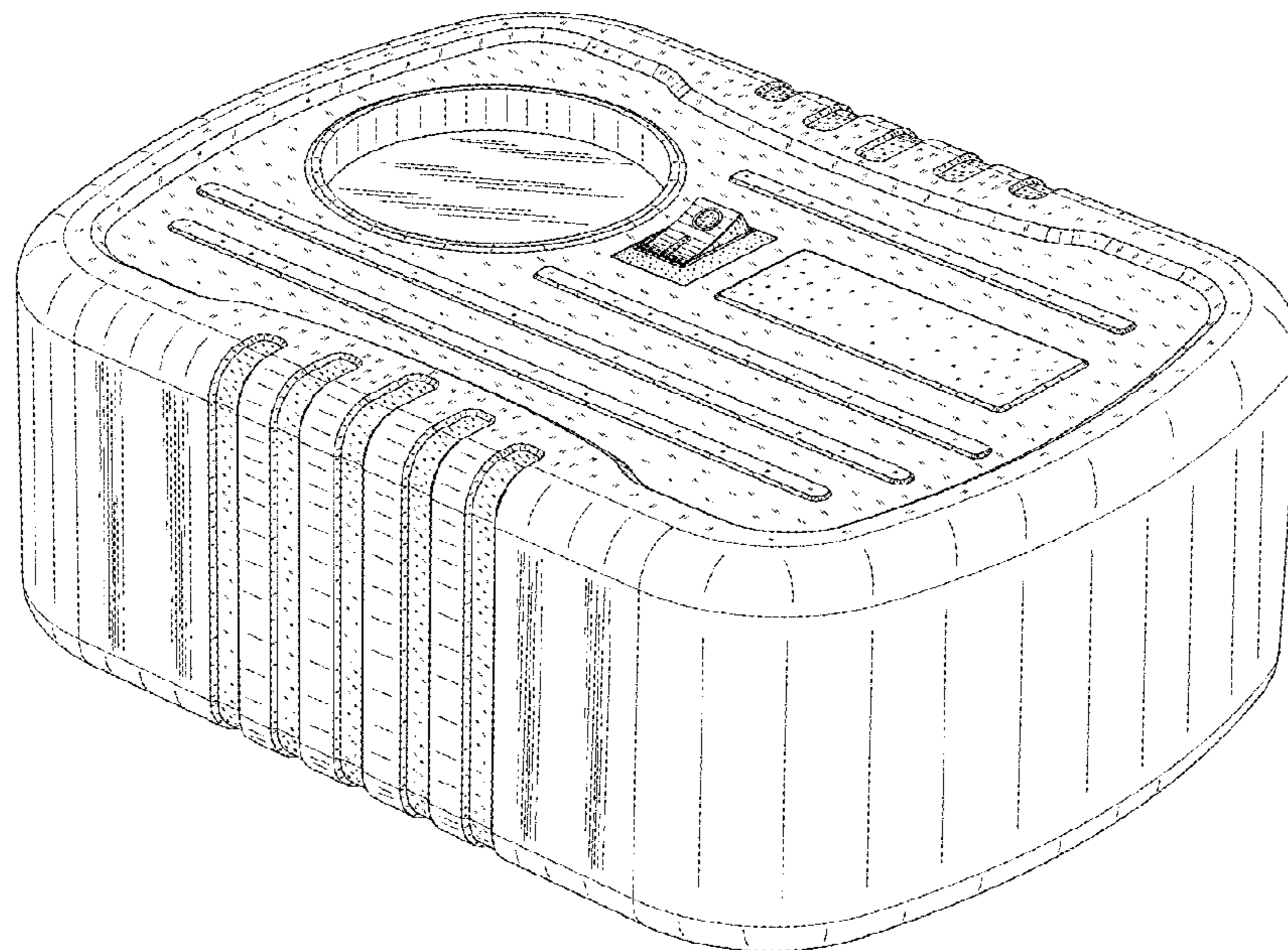
**DESCRIPTION**

FIG. 1 is a perspective view of an inflator, showing my new design;  
FIG. 2 is a front view thereof;  
FIG. 3 is a back view thereof;  
FIG. 4 is a left view thereof;  
FIG. 5 is a right view thereof;  
FIG. 6 is a top view thereof; and,  
FIG. 7 is a bottom view thereof.

**1 Claim, 7 Drawing Sheets**

(56) **References Cited**  
U.S. PATENT DOCUMENTS

D498,243 S *	11/2004	Chou	.....	D15/7
D498,767 S *	11/2004	Chou	.....	D15/7
D499,426 S *	12/2004	Chou	.....	D15/7
D566,131 S *	4/2008	Detering	.....	D15/9
D626,571 S *	11/2010	Eckhardt	.....	D15/9
D627,795 S *	11/2010	Eckhardt	.....	D15/9
D627,796 S *	11/2010	Eckhardt	.....	D15/9
D629,424 S *	12/2010	Eckhardt	.....	D15/9



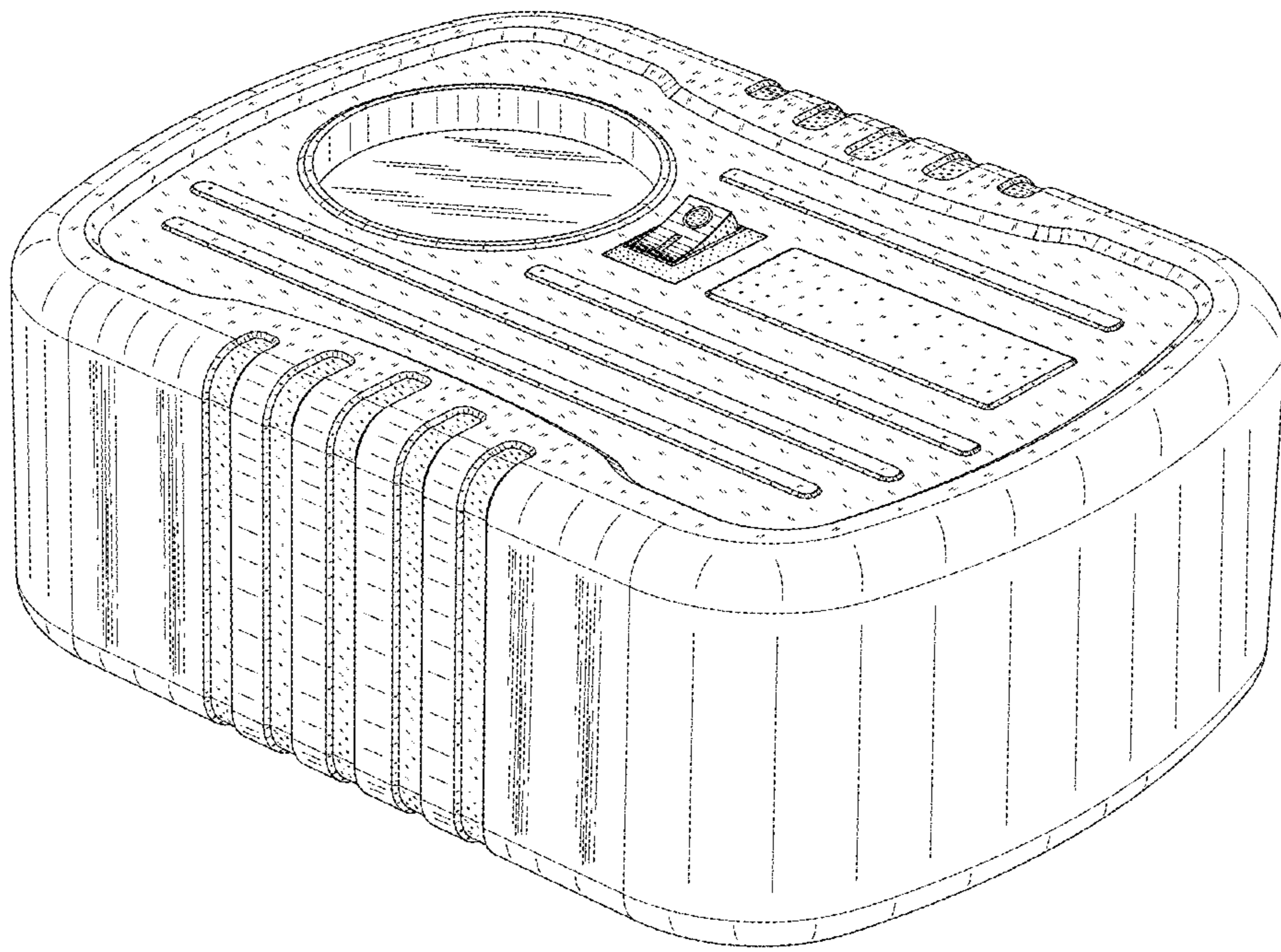


FIG .1

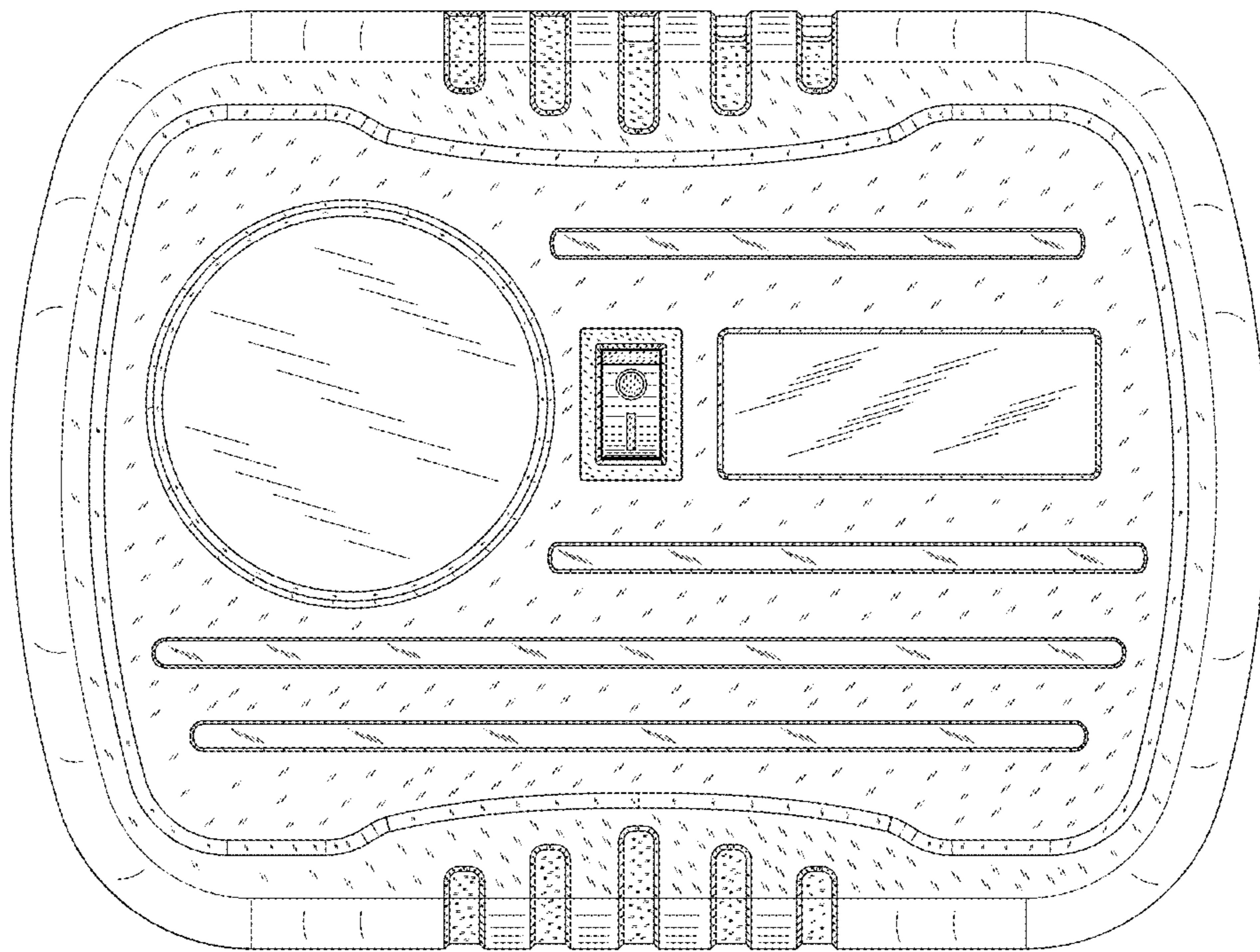


FIG .2



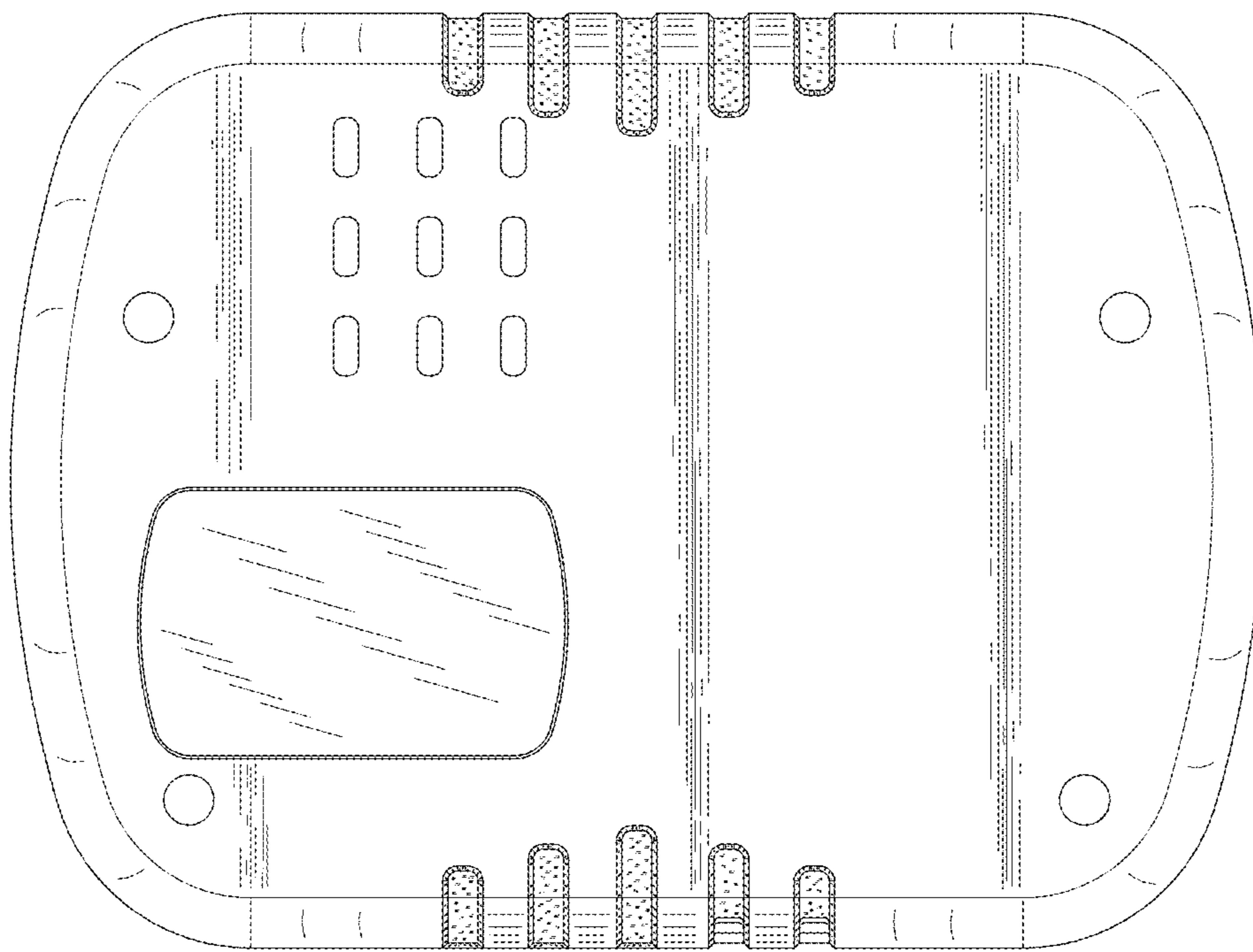


FIG .3

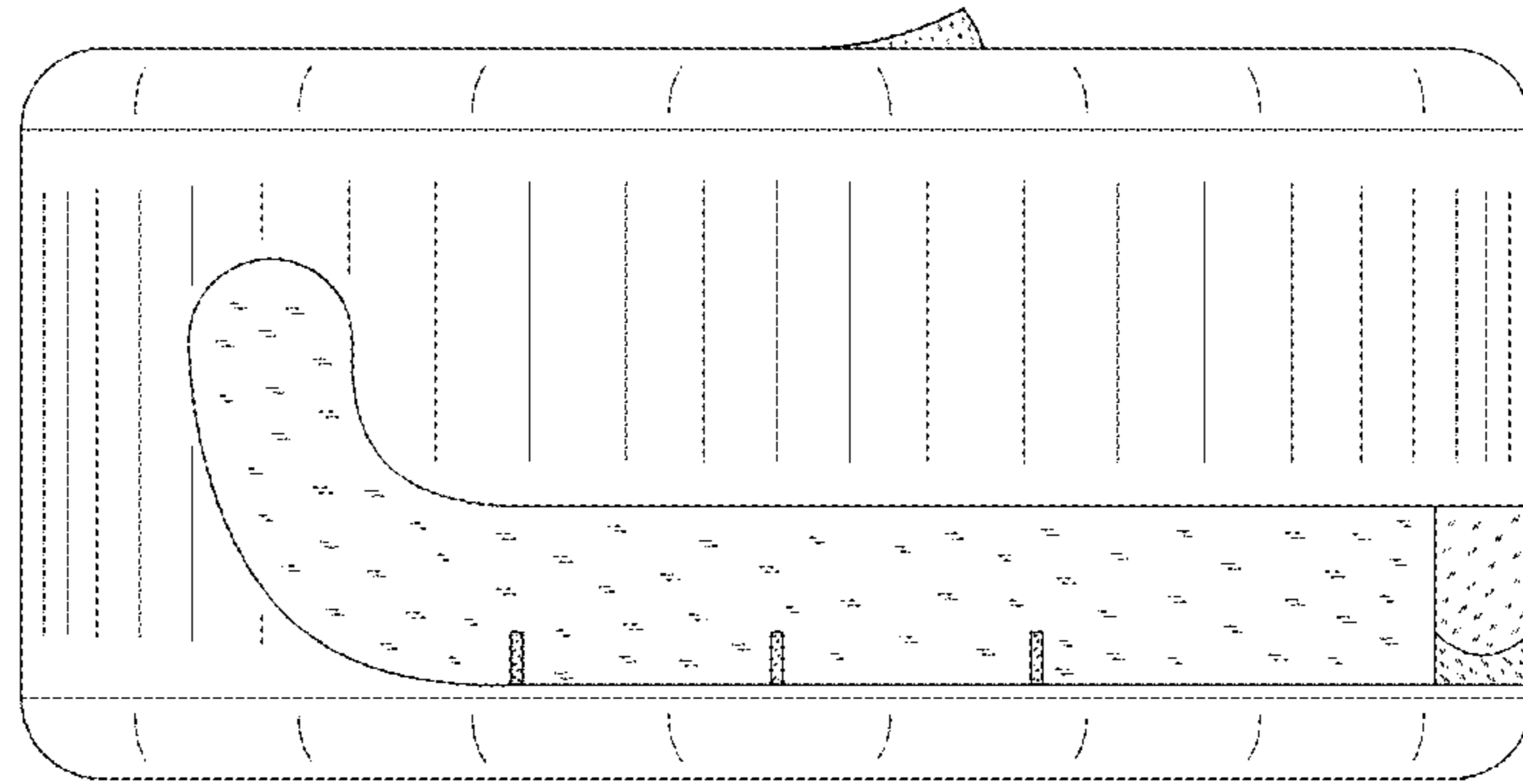


FIG .4

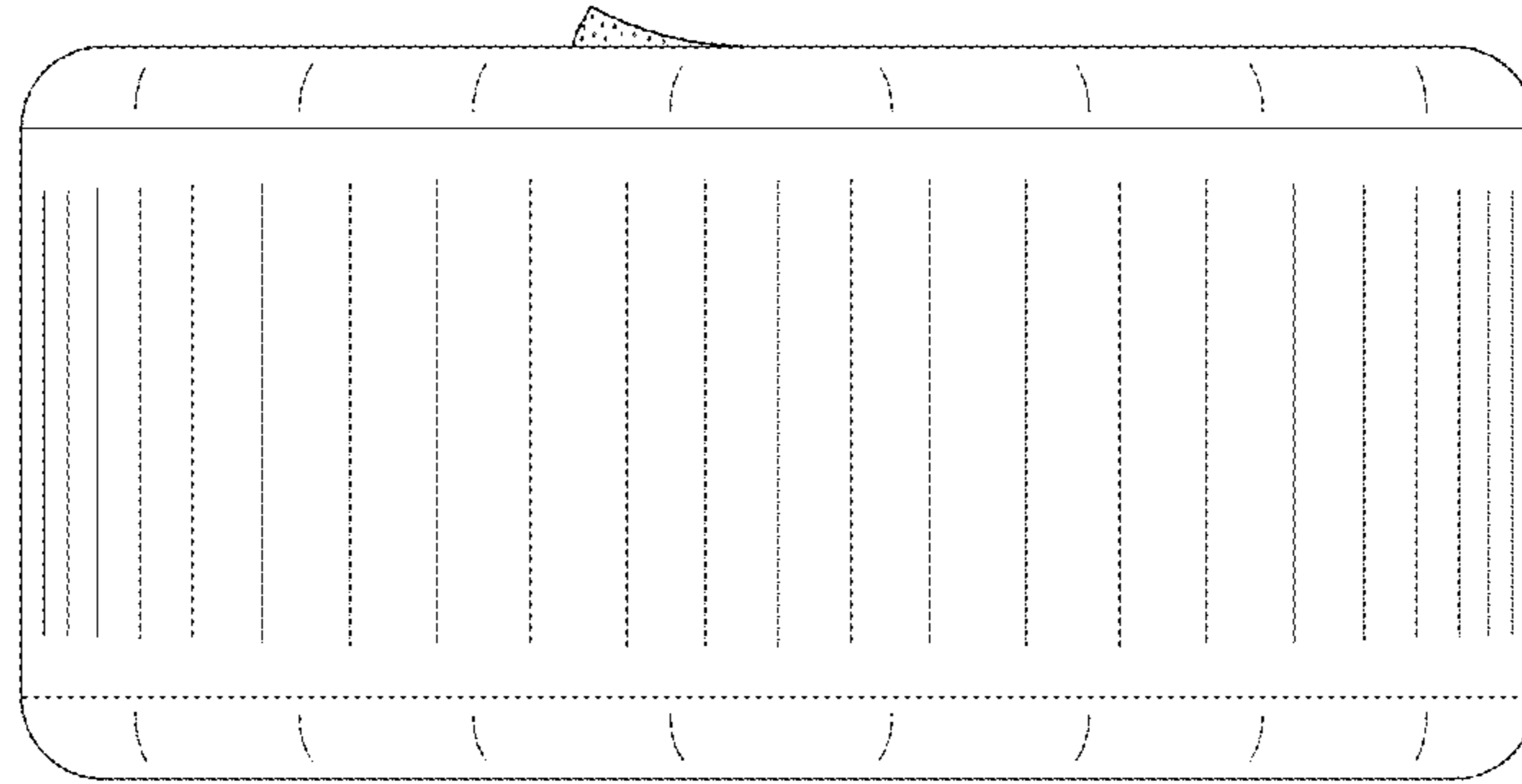


FIG .5

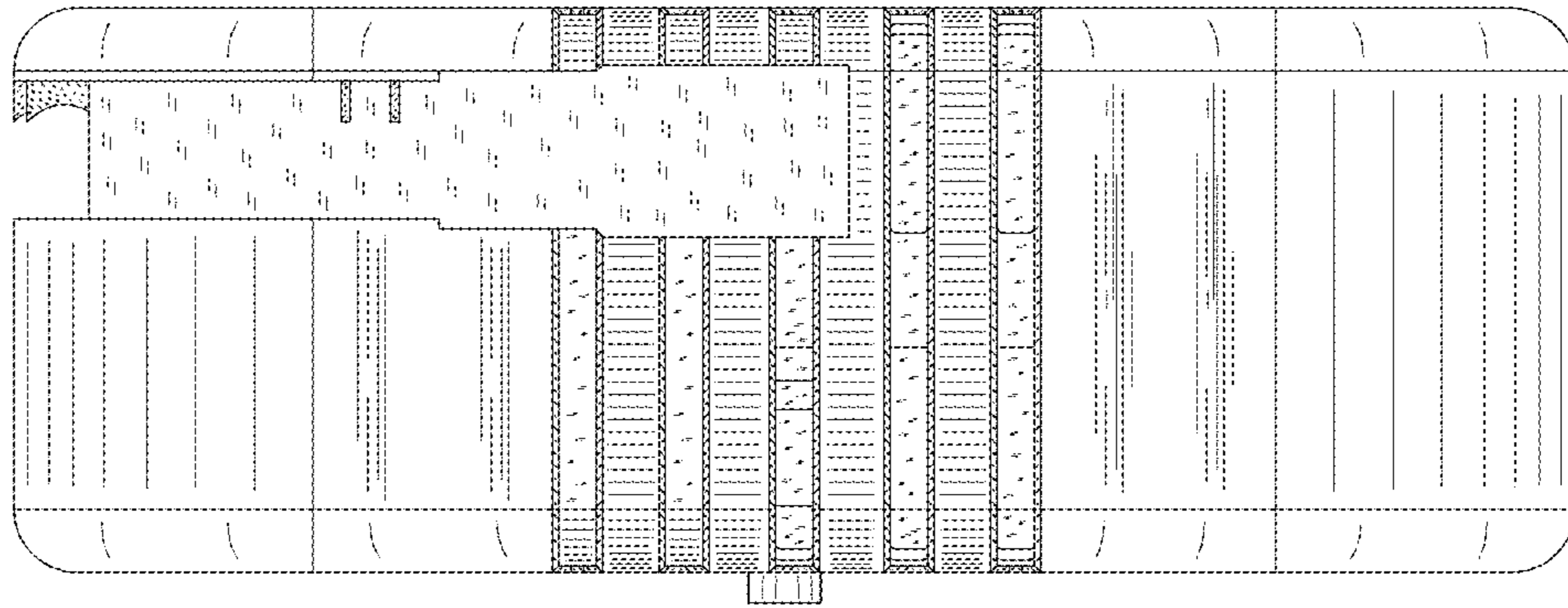


FIG .6

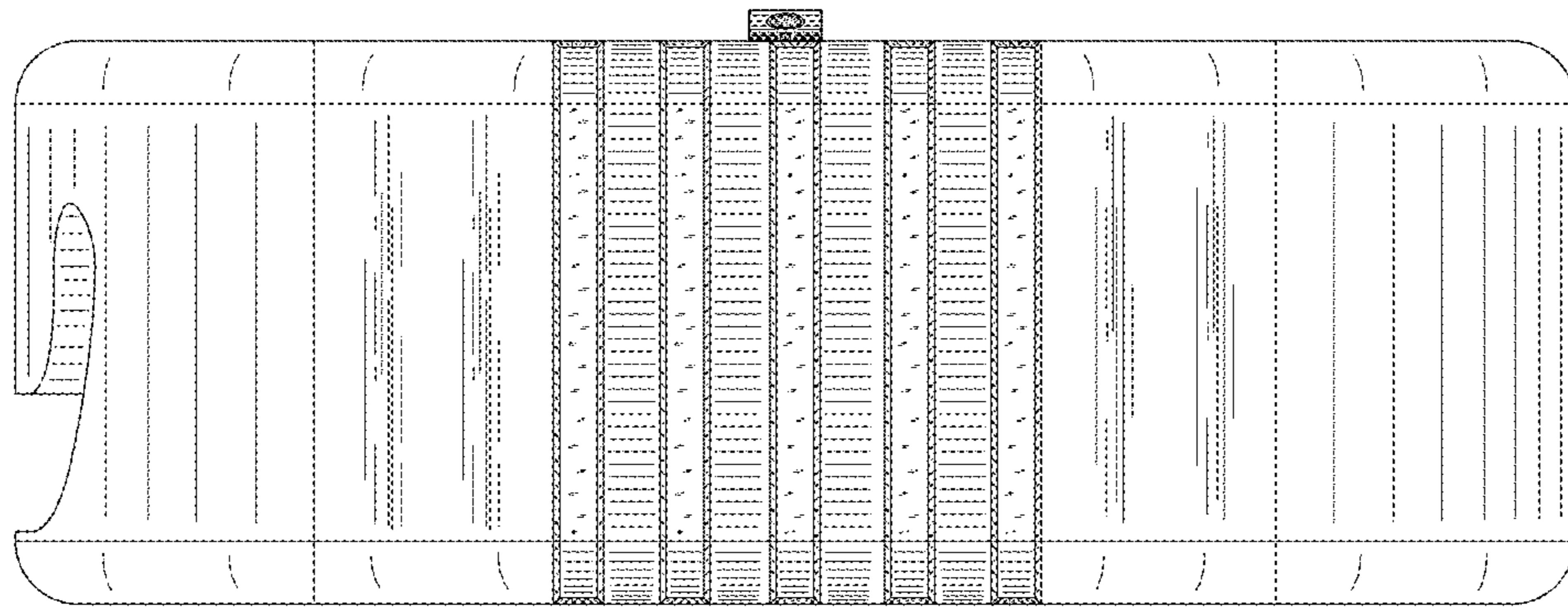


FIG .7