



US00D828403S

(12) **United States Design Patent** (10) **Patent No.:** **US D828,403 S**
Sandkotter et al. (45) **Date of Patent:** **** Sep. 11, 2018**

(54) **COMPRESSOR**

(71) Applicant: **GEA Refrigeration Germany GmbH**,
Berlin (DE)

(72) Inventors: **Monika Sandkotter**, Berlin (DE);
Stefan Heuel, Berlin (DE); **Stefan
Losch**, Berlin (DE)

(73) Assignee: **GEA REFRIGERATION GERMANY
GMBH** (DE)

(**) Term: **15 Years**

(21) Appl. No.: **29/593,226**

(22) Filed: **Feb. 7, 2017**

(30) **Foreign Application Priority Data**

Aug. 9, 2016 (EM) 003335751-0002

(51) **LOC (11) Cl.** **15-02**

(52) **U.S. Cl.**
USPC **D15/9**

(58) **Field of Classification Search**
USPC D15/7-9; D23/231, 232, 225; 417/60,
417/235, 265, 321, 355, 358, 363, 359,
417/410.1, 415-416, 405, 900, 269, 539;
60/408, 412; 184/26-37; 415/140-147;
123/495, 509; 137/565.34
CPC F02M 37/04; F02M 37/14; F04B 53/92;
F04B 1/005; F04B 27/0414; F04D 13/06;
F04D 29/22; F04D 29/046; F04D
29/2266

See application file for complete search history.

(56) **References Cited**

U.S. PATENT DOCUMENTS

6,401,472 B2 *	6/2002	Pollich	F04B 27/0414 417/213
D467,254 S *	12/2002	Ullrich	D15/9
D479,247 S *	9/2003	Ullrich	D15/9
D531,194 S *	10/2006	Hertenstein	D15/9
D538,826 S *	3/2007	Kienzle	D15/9
D690,324 S *	9/2013	Kienzle	D15/9
D717,344 S *	11/2014	Ohser	D15/9
D745,896 S *	12/2015	Ohser	D15/9
D770,538 S *	11/2016	Li	D15/9
D777,213 S *	1/2017	Ohser	D15/9

* cited by examiner

Primary Examiner — Ralf Seifert

(74) *Attorney, Agent, or Firm* — Ostrolenk Faber LLP

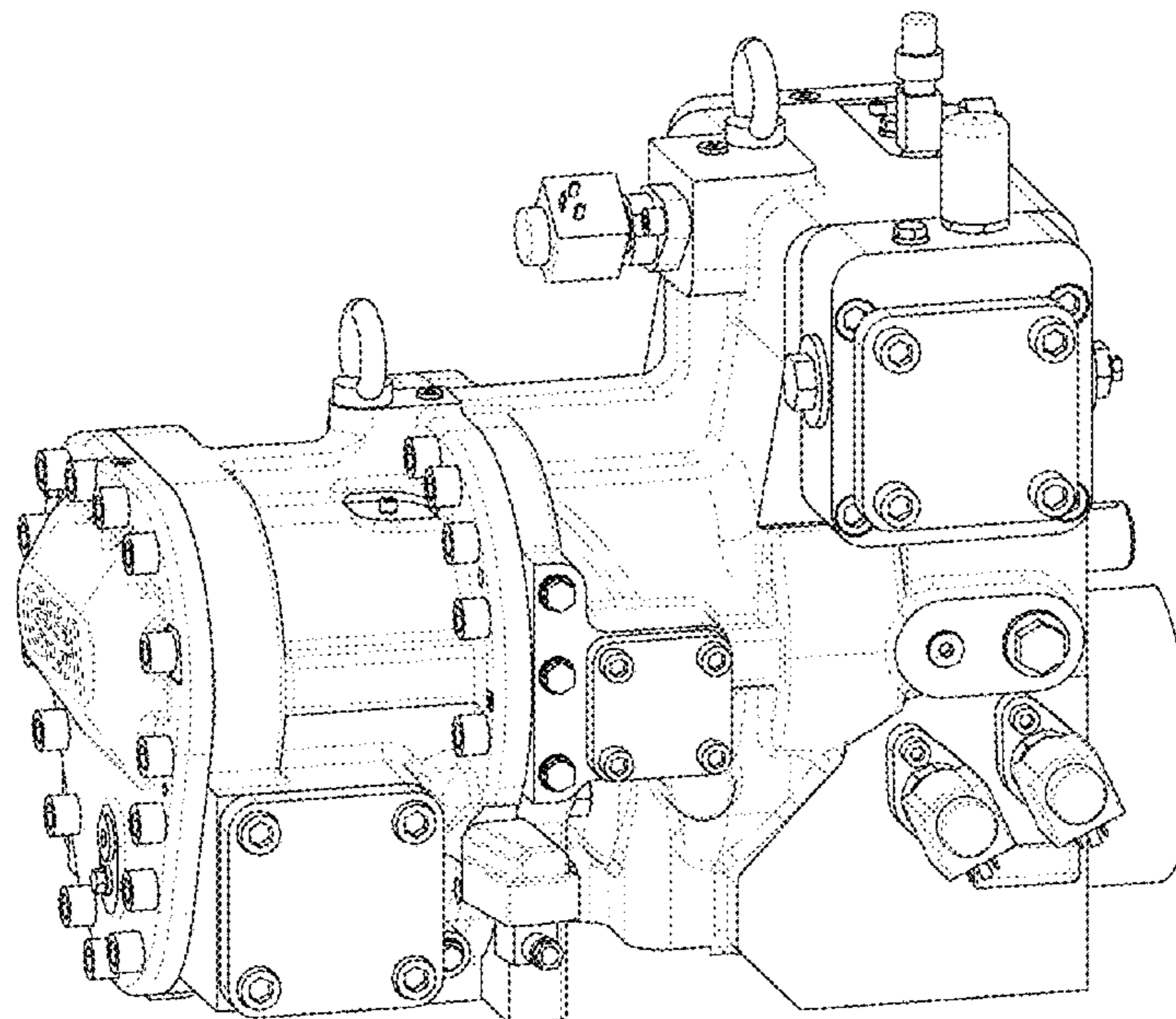
(57) **CLAIM**

The ornamental design for compressor, as shown and described.

DESCRIPTION

FIG. 1 is a right side view of a compressor showing our new design;
FIG. 2 is a left side view thereof;
FIG. 3 is a front view thereof;
FIG. 4 is a rear view thereof;
FIG. 5 is a top view thereof;
FIG. 6 is a bottom view thereof;
FIG. 7 is a right side perspective view thereof; and,
FIG. 8 is a left side perspective view thereof.
The broken line showing of the trademark "GEA" is included for the purpose of illustrating environmental matter and forms no part of the claimed design.

1 Claim, 8 Drawing Sheets



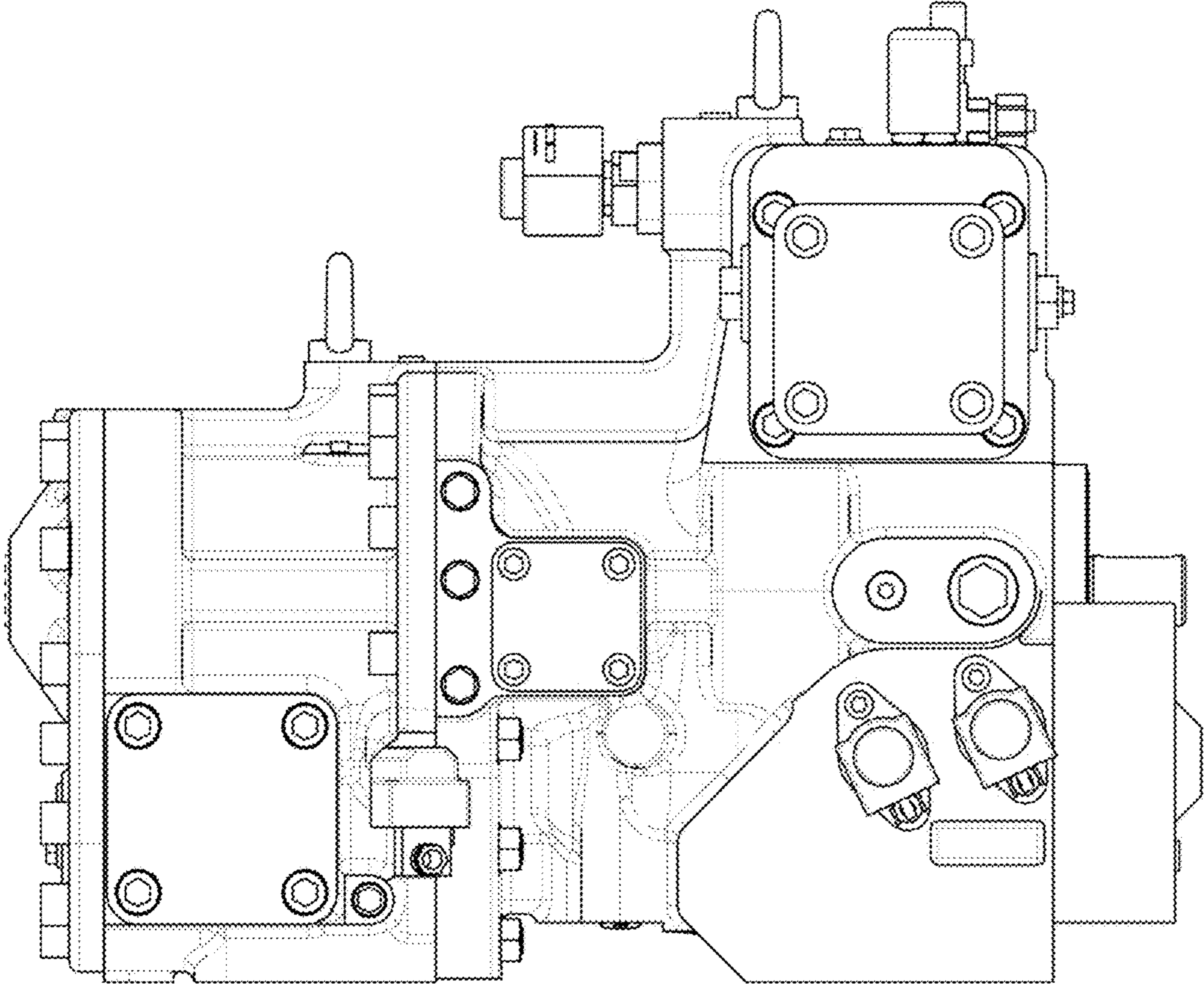


FIG. 1

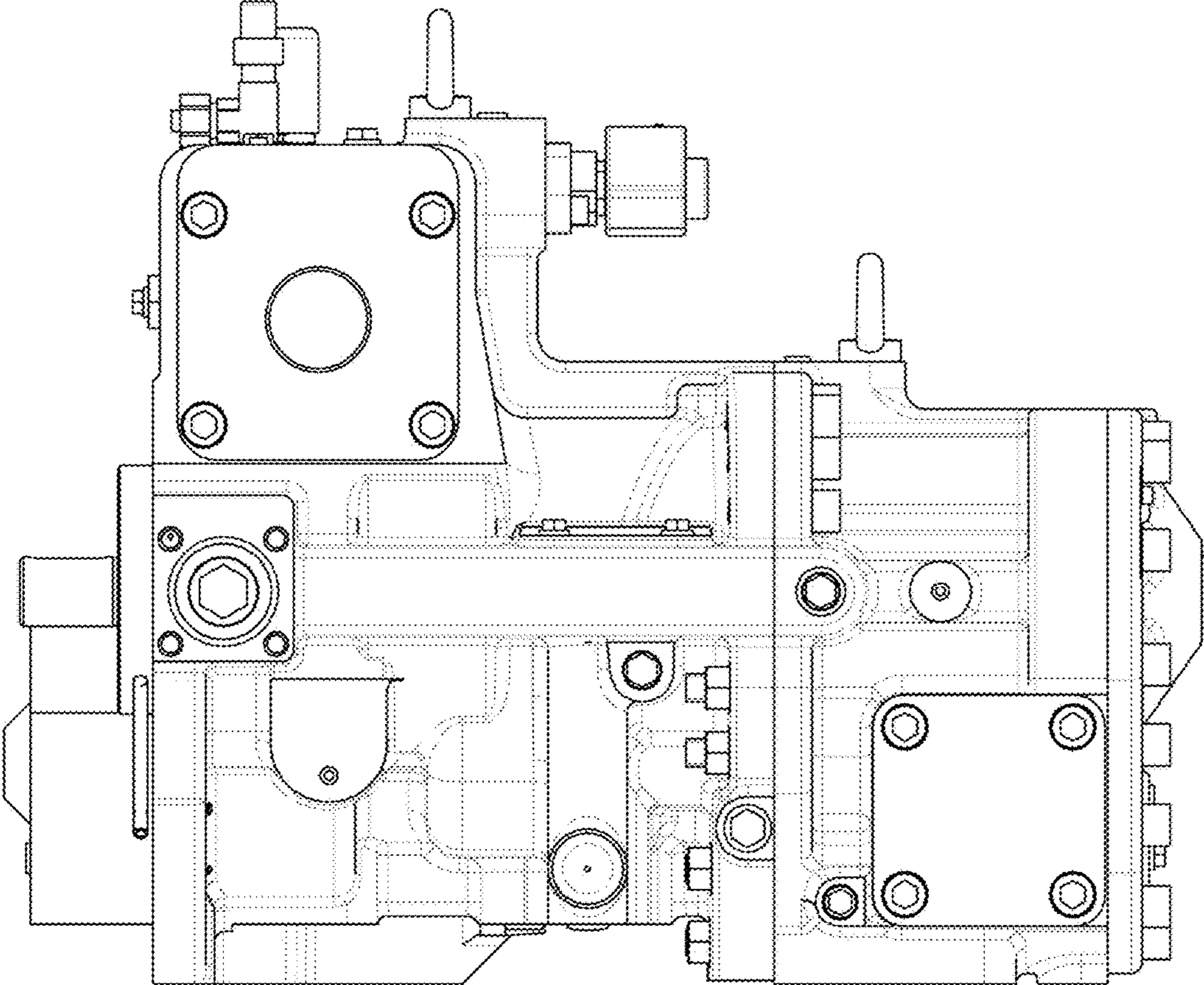


FIG. 2

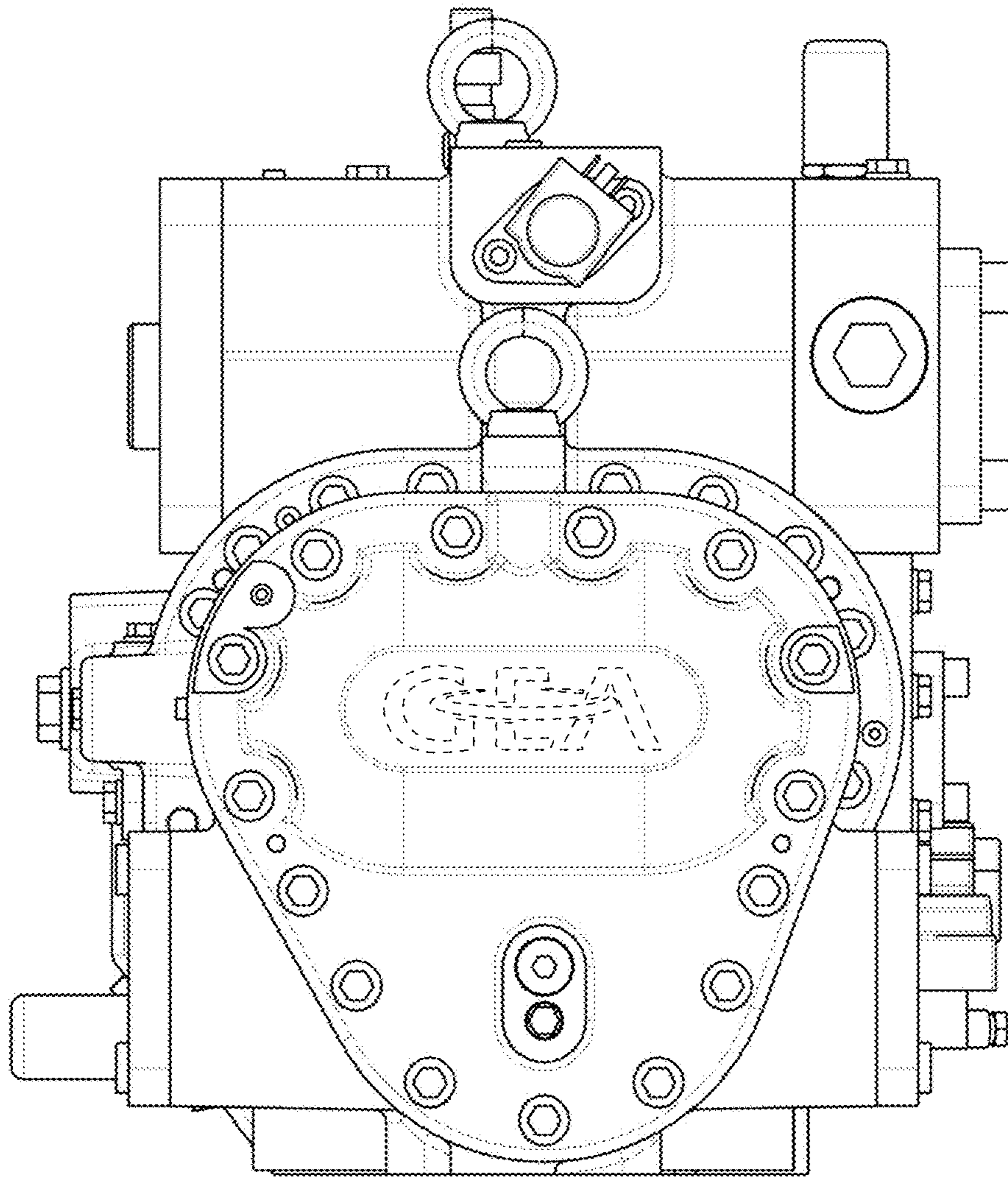


FIG. 3

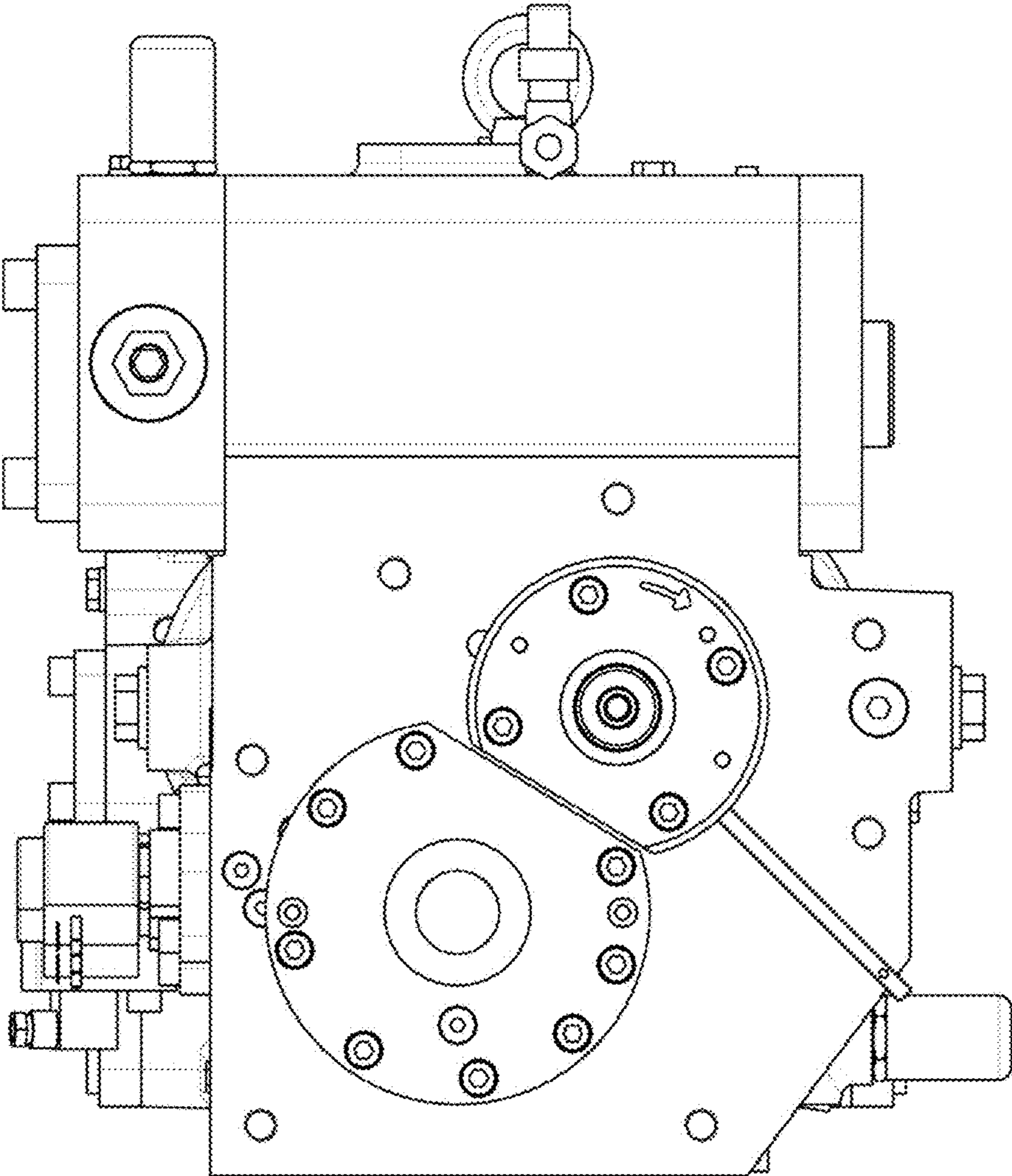


FIG. 4

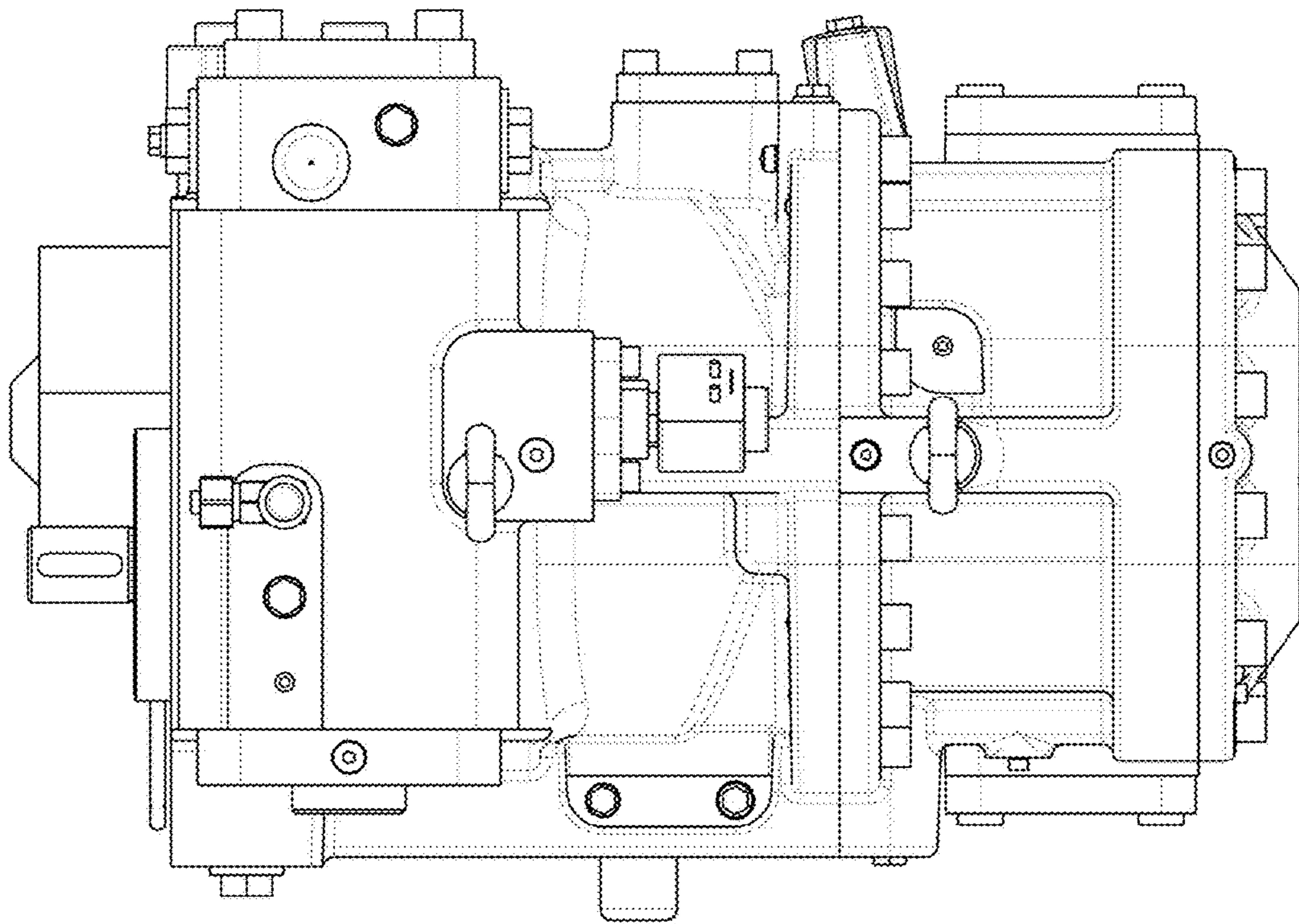


FIG. 5

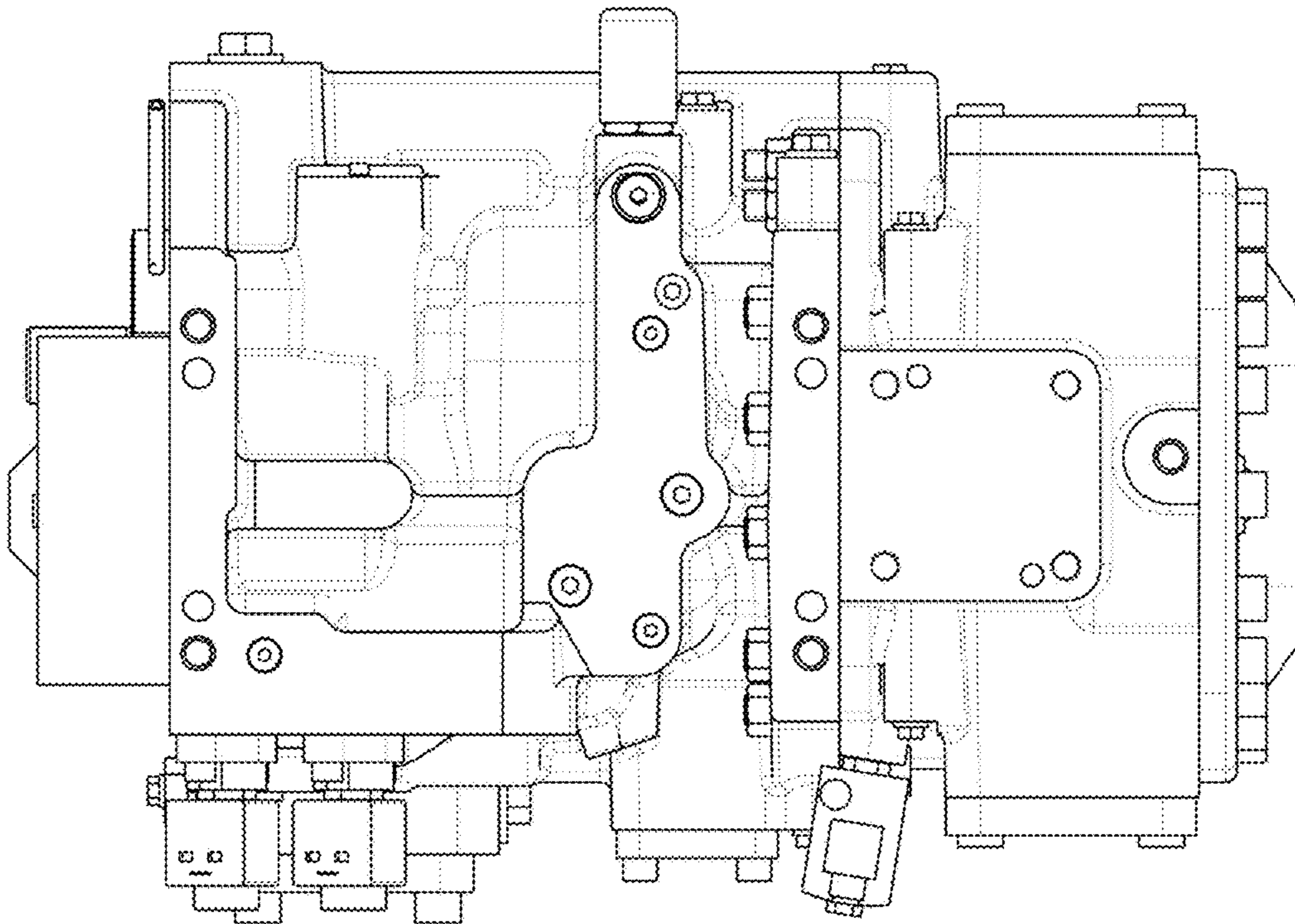


FIG. 6

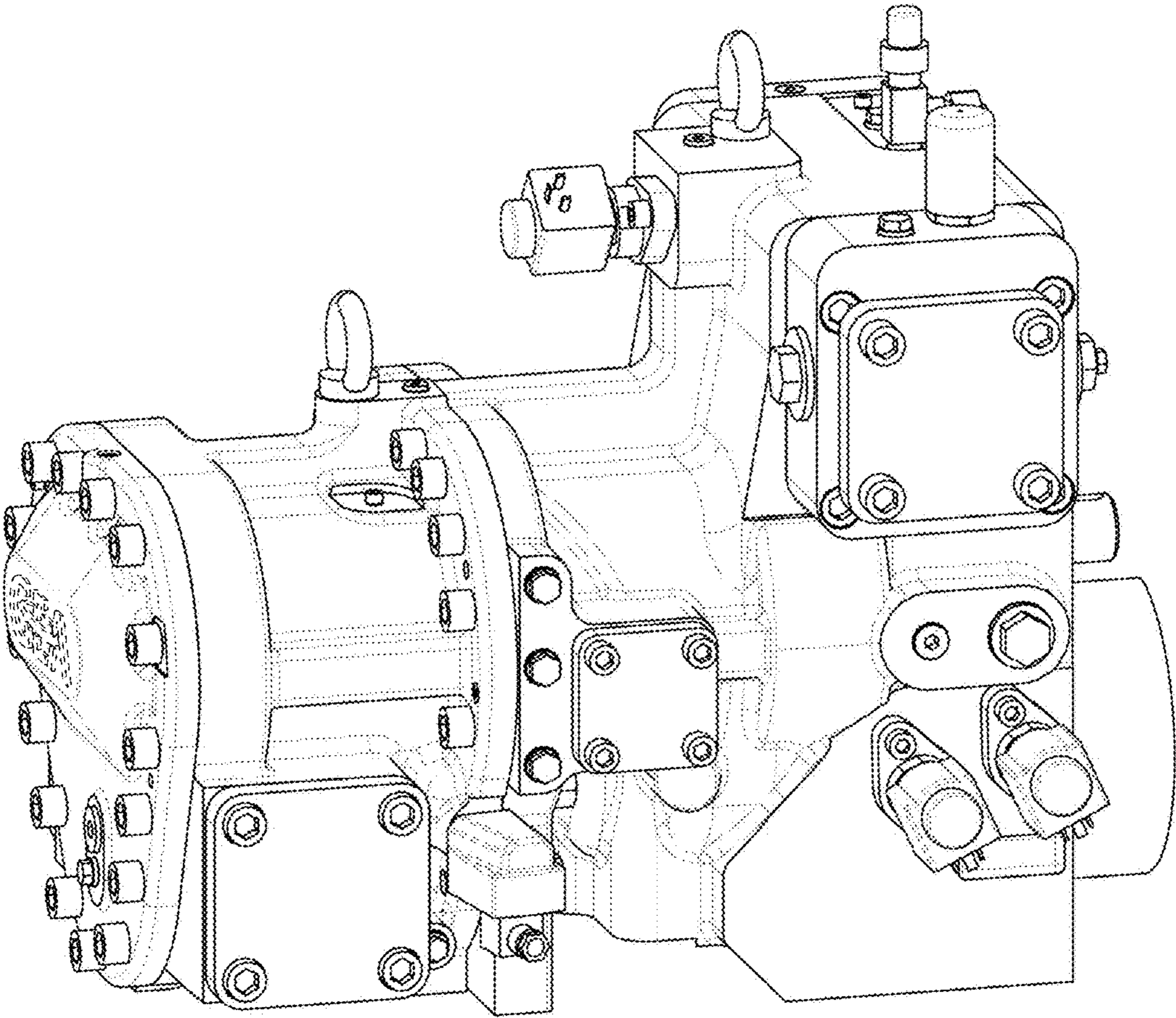


FIG. 7

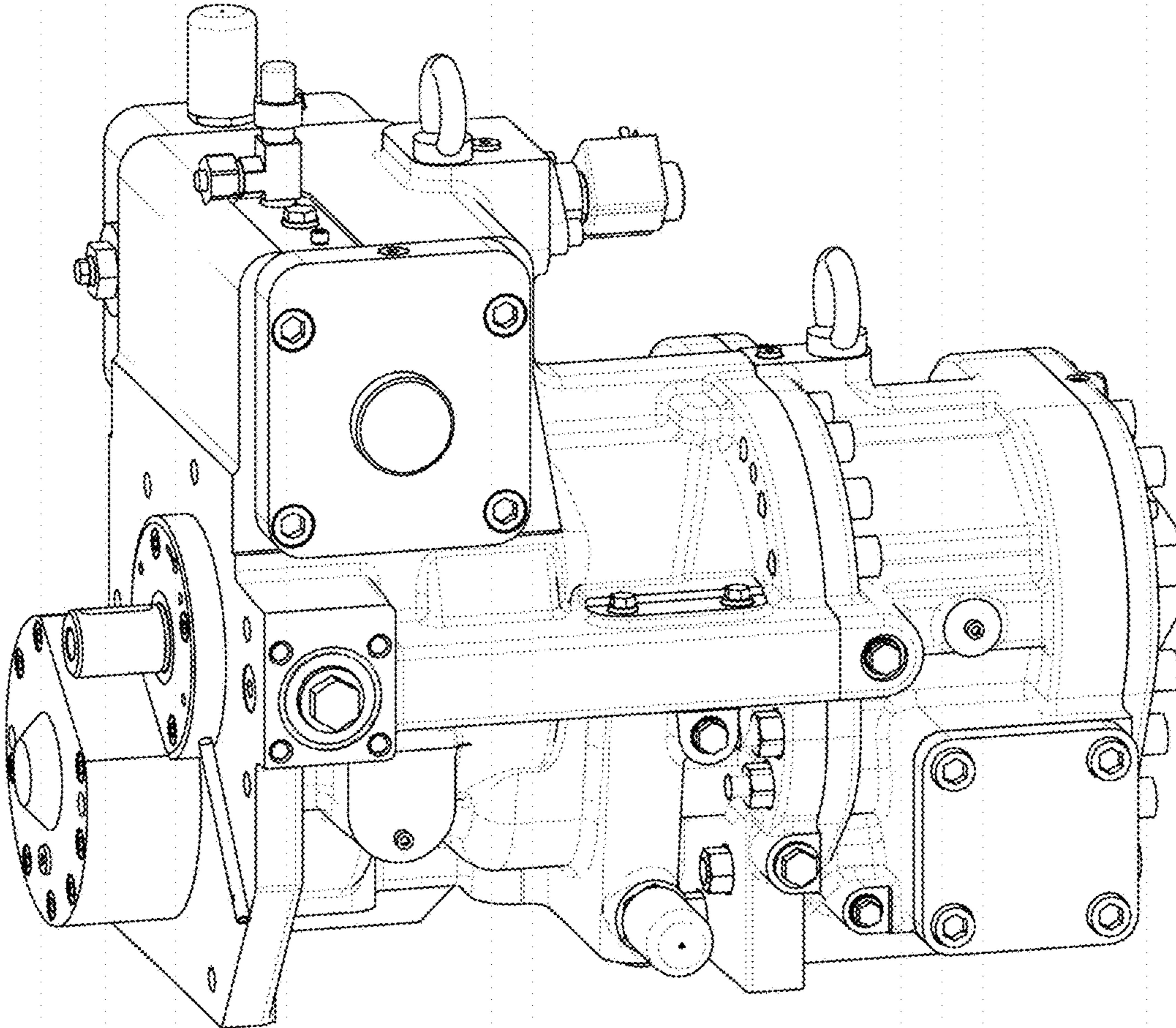


FIG. 8