



US00D828402S

(12) **United States Design Patent** (10) **Patent No.:** **US D828,402 S**  
**Sandkotter et al.** (45) **Date of Patent:** **\*\* Sep. 11, 2018**

(54) **COMPRESSOR**

(56) **References Cited**

(71) Applicant: **GEA Refrigeration Germany GmbH**,  
Berlin (DE)

U.S. PATENT DOCUMENTS

(72) Inventors: **Monika Sandkotter**, Berlin (DE);  
**Stefan Heuel**, Berlin (DE); **Stefan  
Losch**, Berlin (DE)

6,401,472 B2 *	6/2002	Poltrich .....	F04B 27/0414 417/213
D467,254 S *	12/2002	Ullrich .....	D15/9
D479,247 S *	9/2003	Ullrich .....	D15/9
D531,194 S *	10/2006	Hertenstein .....	D15/9
D538,826 S *	3/2007	Kienzle .....	D15/9
D690,324 S *	9/2013	Kienzle .....	D15/9
D717,344 S *	11/2014	Ohser .....	D15/9
D745,896 S *	12/2015	Ohser .....	D15/9
D770,538 S *	11/2016	Li .....	D15/9
D777,213 S *	1/2017	Ohser .....	D15/9

(73) Assignee: **GEA REFRIGERATION GERMANY  
GMBH** (DE)

(\*\*) Term: **15 Years**

\* cited by examiner

(21) Appl. No.: **29/593,221**

*Primary Examiner* — Ralf Seifert

(22) Filed: **Feb. 7, 2017**

(74) *Attorney, Agent, or Firm* — Ostrolenk Faber LLP

(30) **Foreign Application Priority Data**

(57) **CLAIM**

Aug. 9, 2016 (EM) ..... 003335751-0001

The ornamental design for compressor, as shown and described.

(51) **LOC (11) Cl.** ..... **15-02**

**DESCRIPTION**

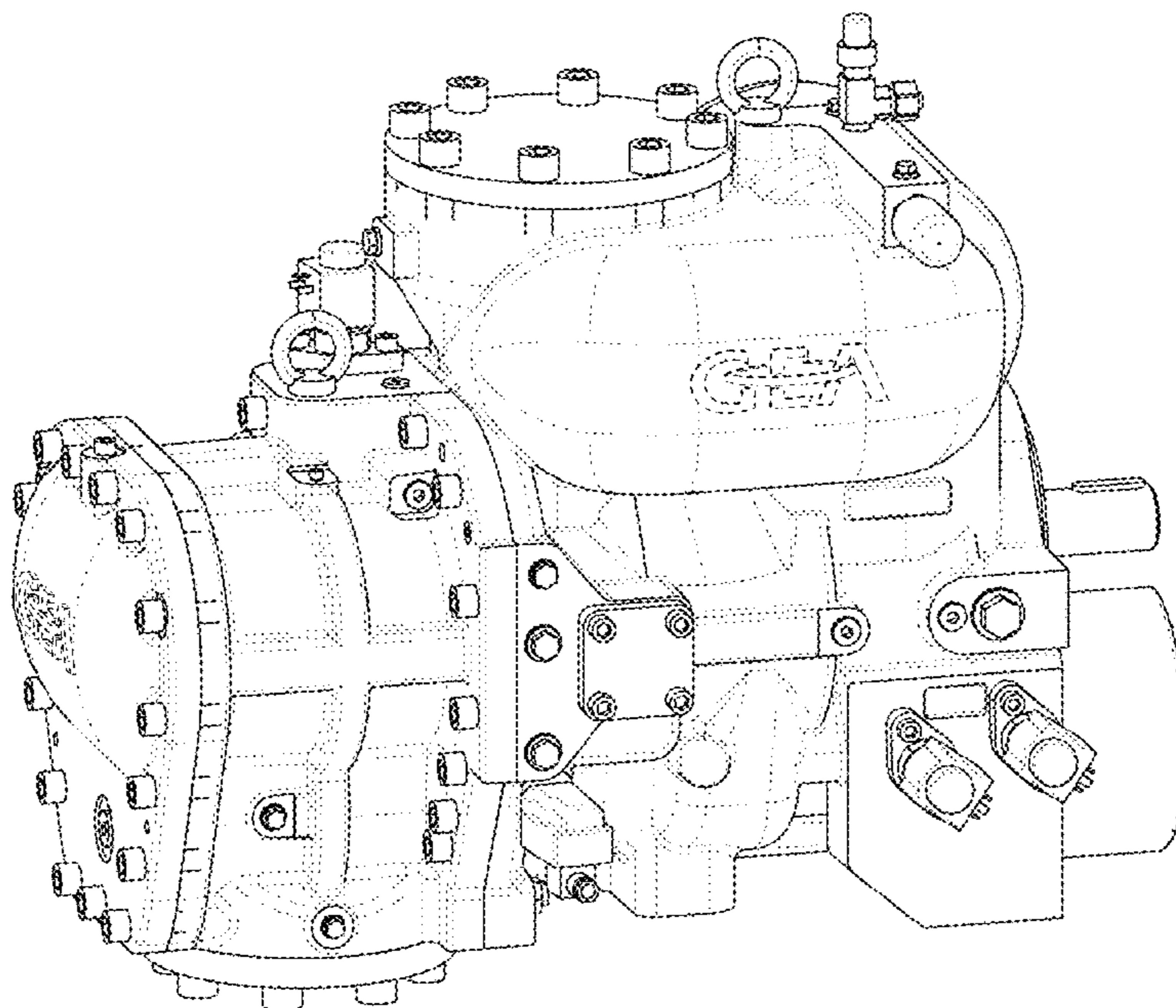
(52) **U.S. Cl.**  
USPC ..... **D15/9**

(58) **Field of Classification Search**  
USPC ..... D15/7-9; D23/231, 232, 225; 417/60,  
417/235, 265, 321, 355, 358, 363, 359,  
417/410.1, 415-416, 405, 900, 269, 539;  
60/408, 412; 184/26-37; 415/140-147;  
123/495, 509; 137/565.34  
CPC ..... F02M 37/04; F02M 37/14; F04B 53/92;  
F04B 1/005; F04B 27/0414; F04D 13/06;  
F04D 29/22; F04D 29/046; F04D  
29/2266

FIG. 1 is a left side view of a compressor showing our new design;  
FIG. 2 is a right side view thereof;  
FIG. 3 is a front view thereof;  
FIG. 4 is a rear view thereof;  
FIG. 5 is a top view thereof;  
FIG. 6 is a bottom view thereof;  
FIG. 7 is a right side perspective view thereof; and,  
FIG. 8 is a left side perspective view thereof.  
The broken line showing of the trademark "GEA" is included for the purpose of illustrating environmental matter and forms no part of the claimed design.

See application file for complete search history.

**1 Claim, 8 Drawing Sheets**



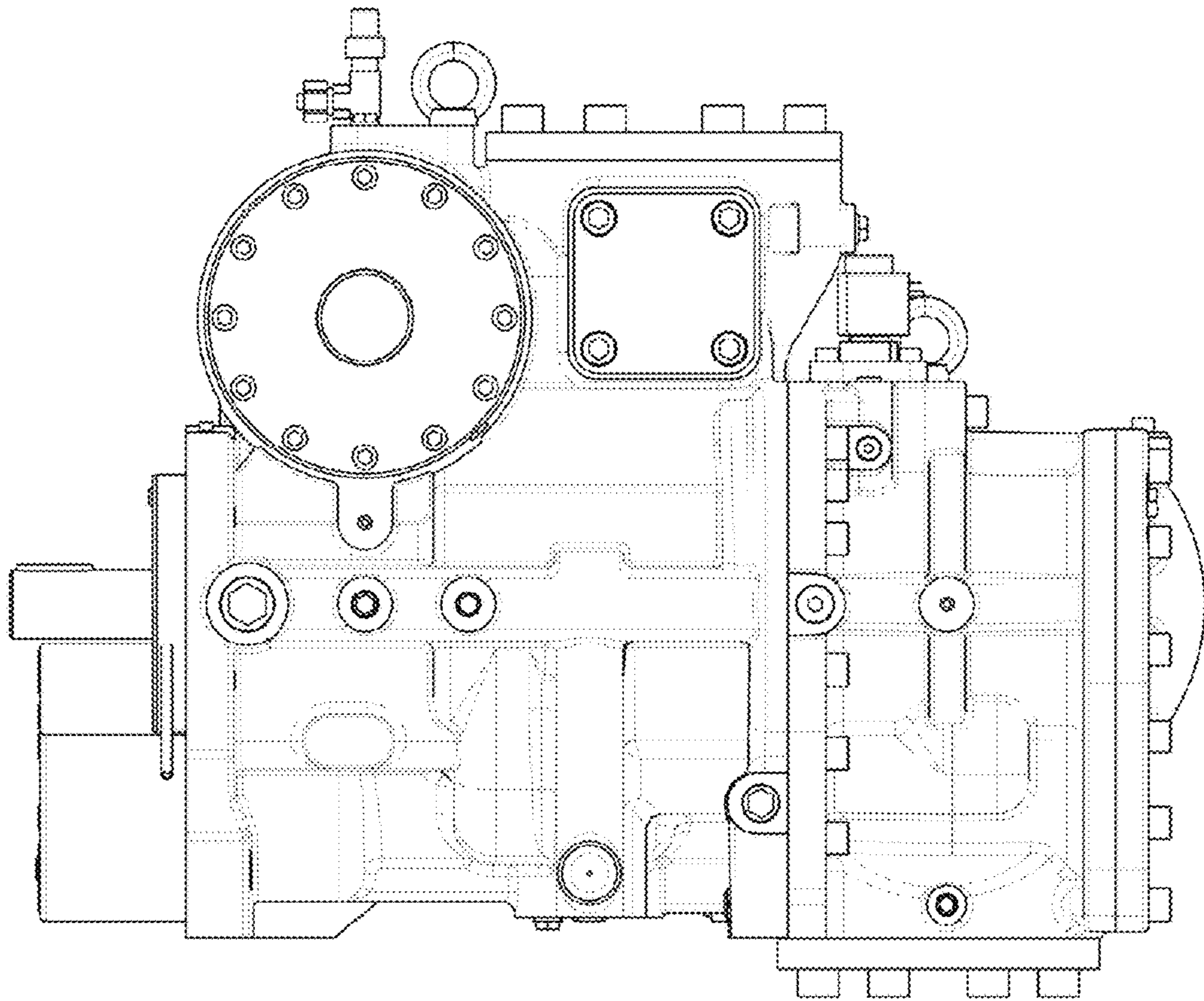


FIG. 1

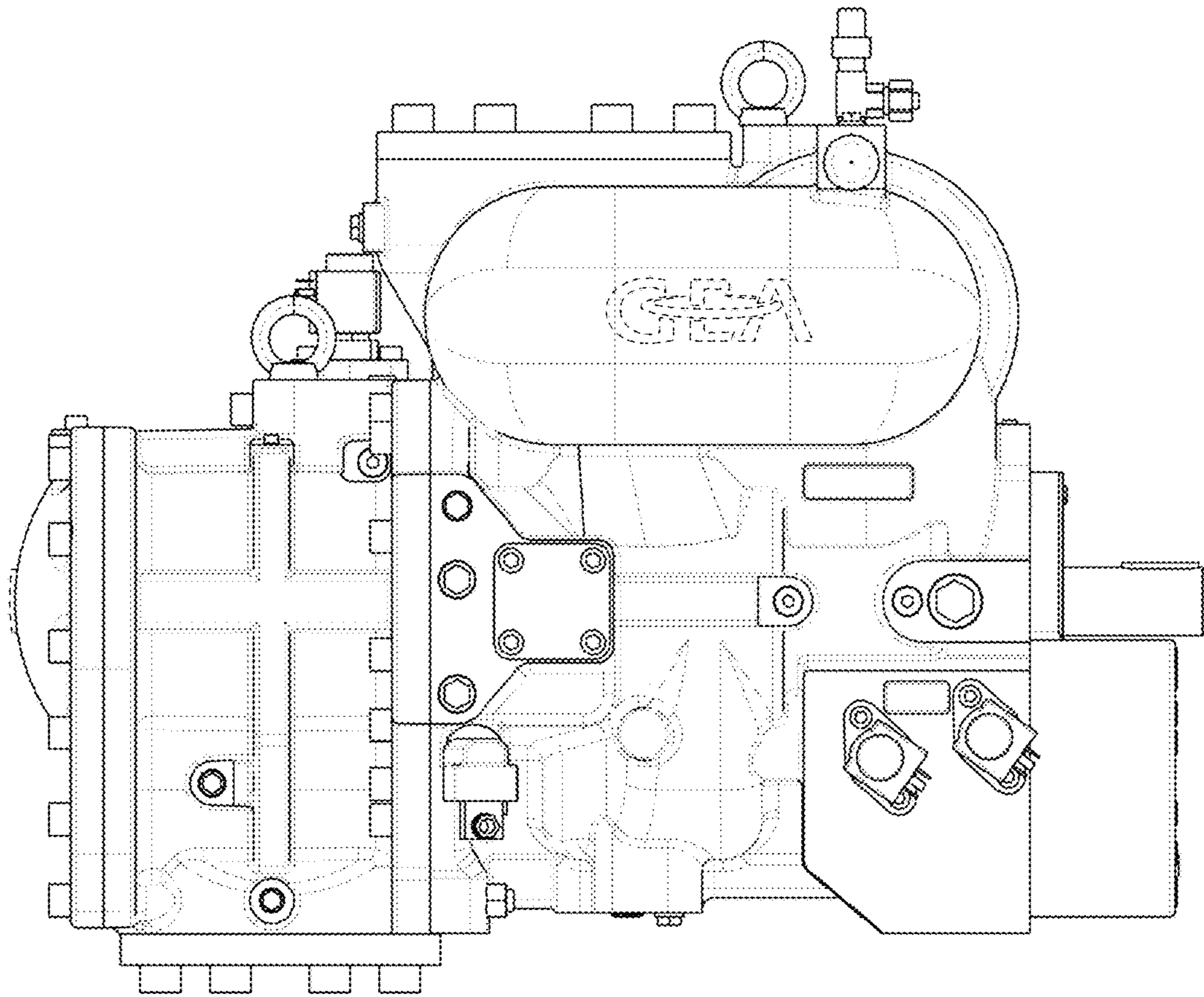


FIG. 2

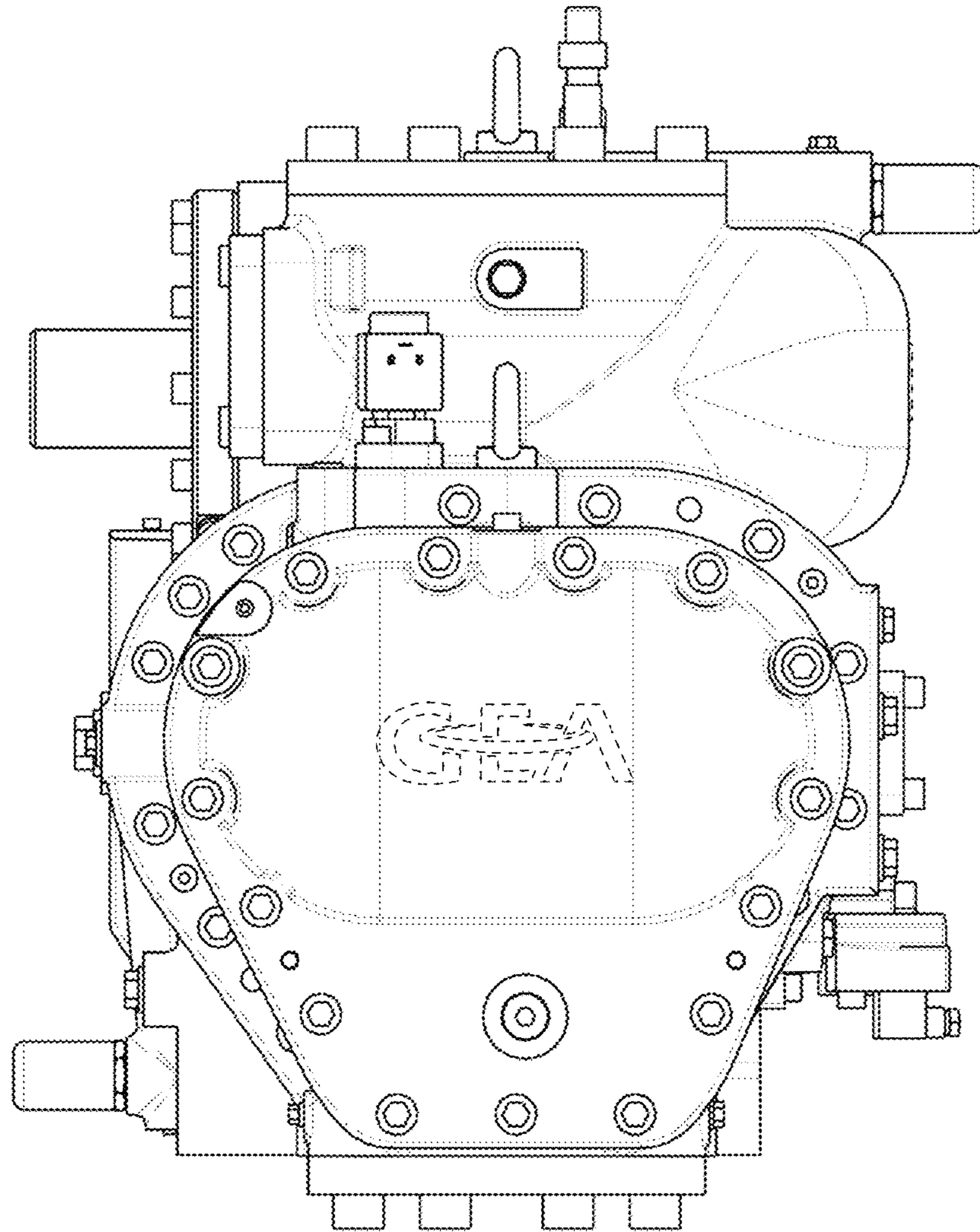


FIG. 3

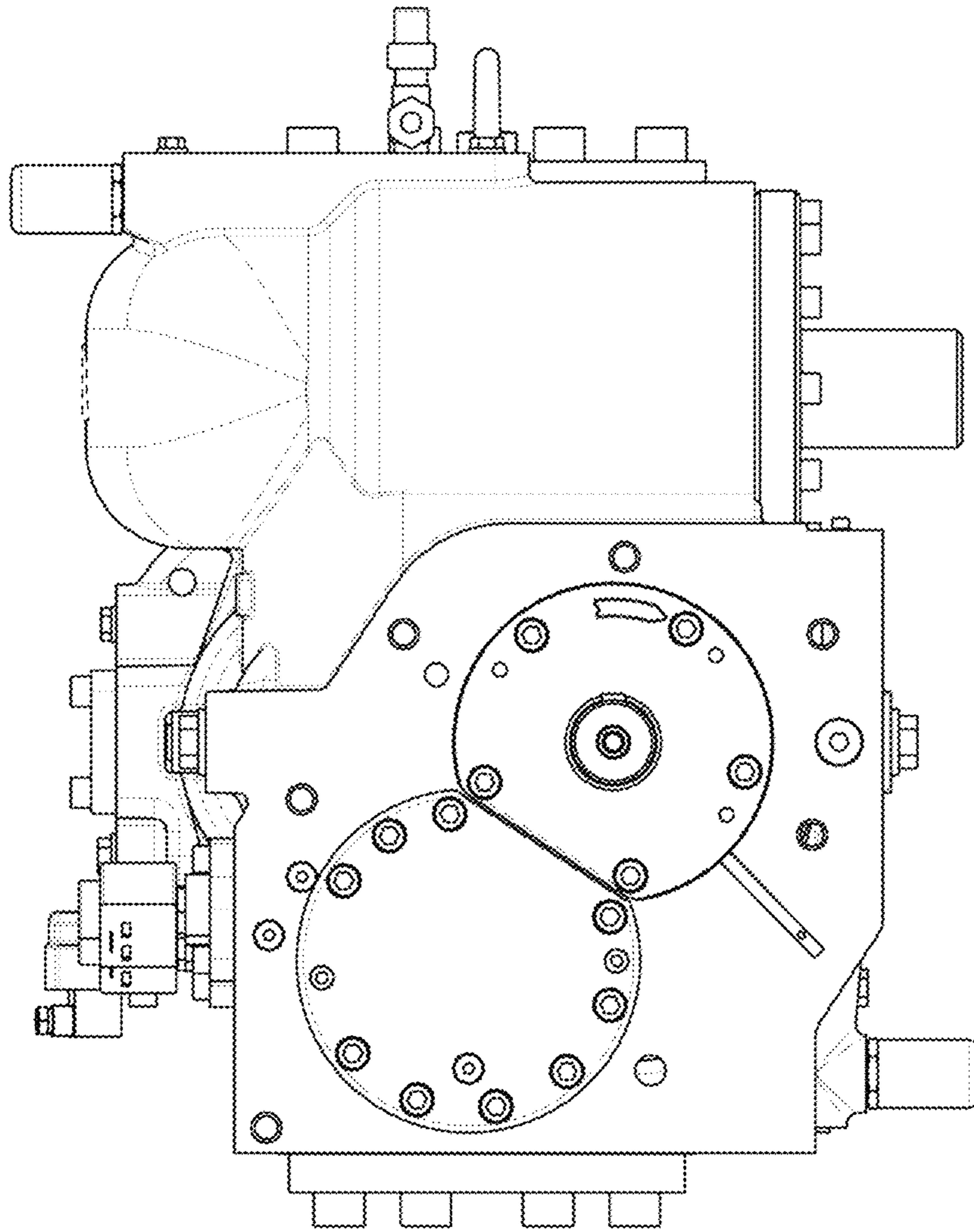


FIG. 4

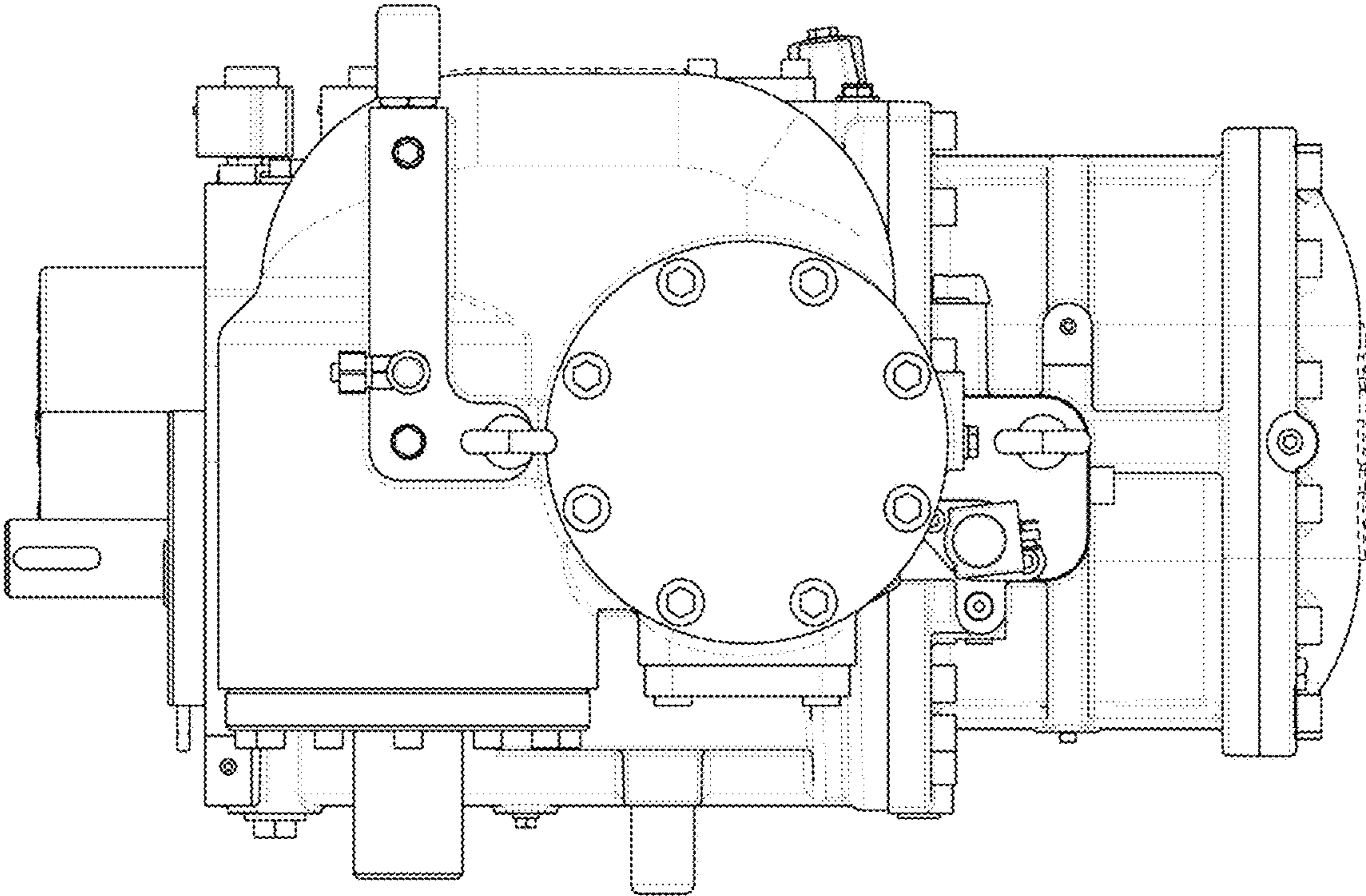


FIG. 5

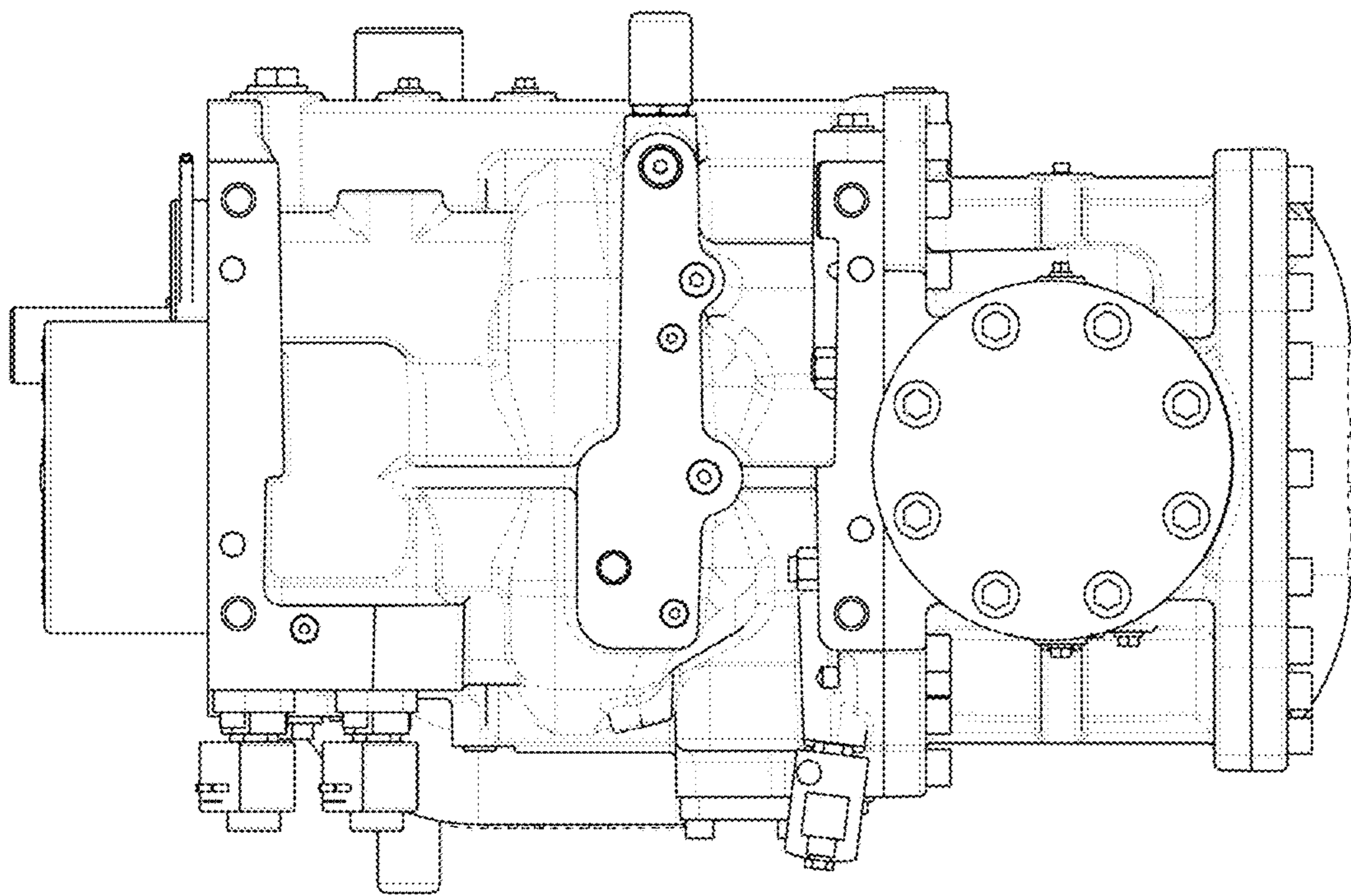


FIG. 6

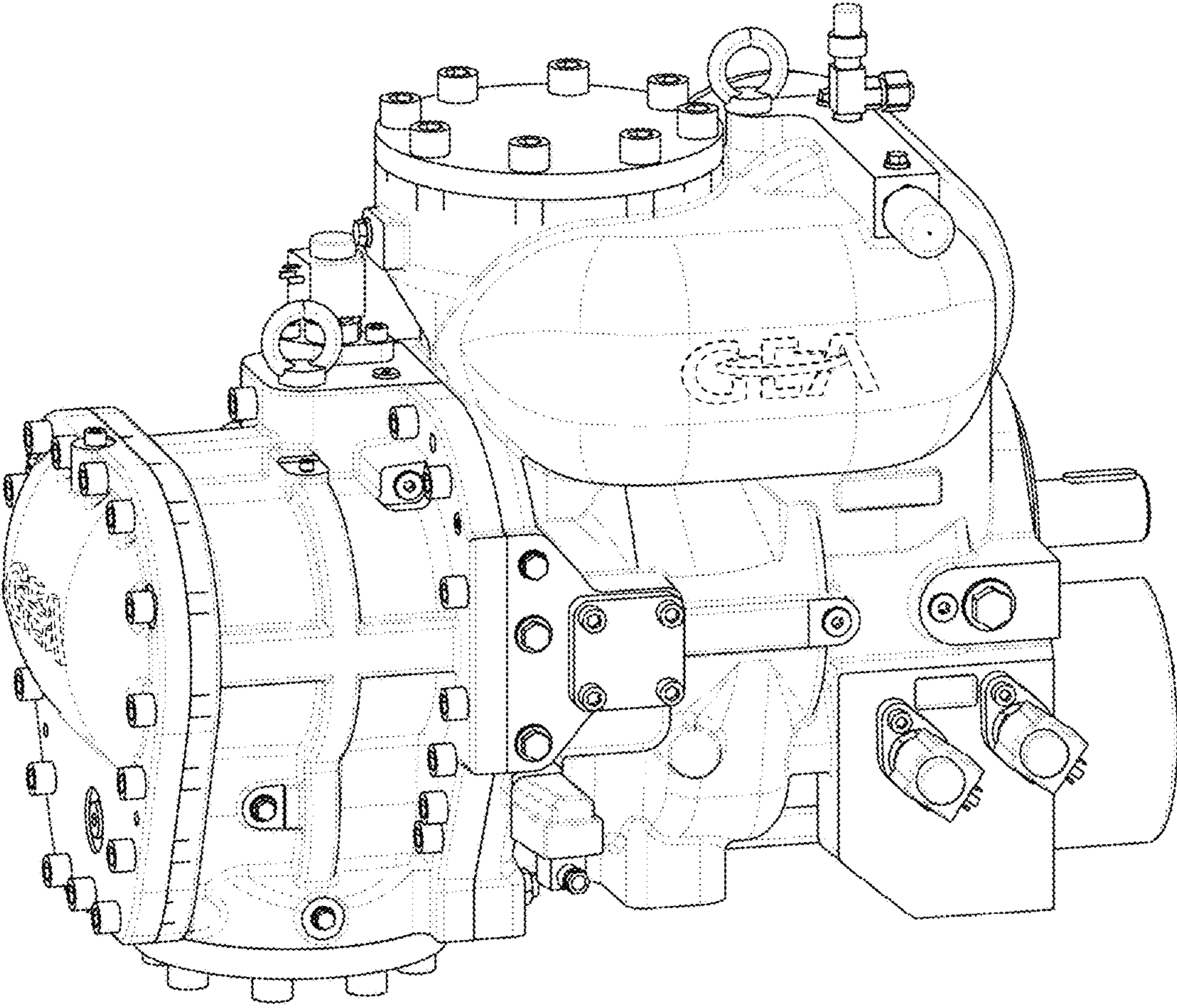


FIG. 7



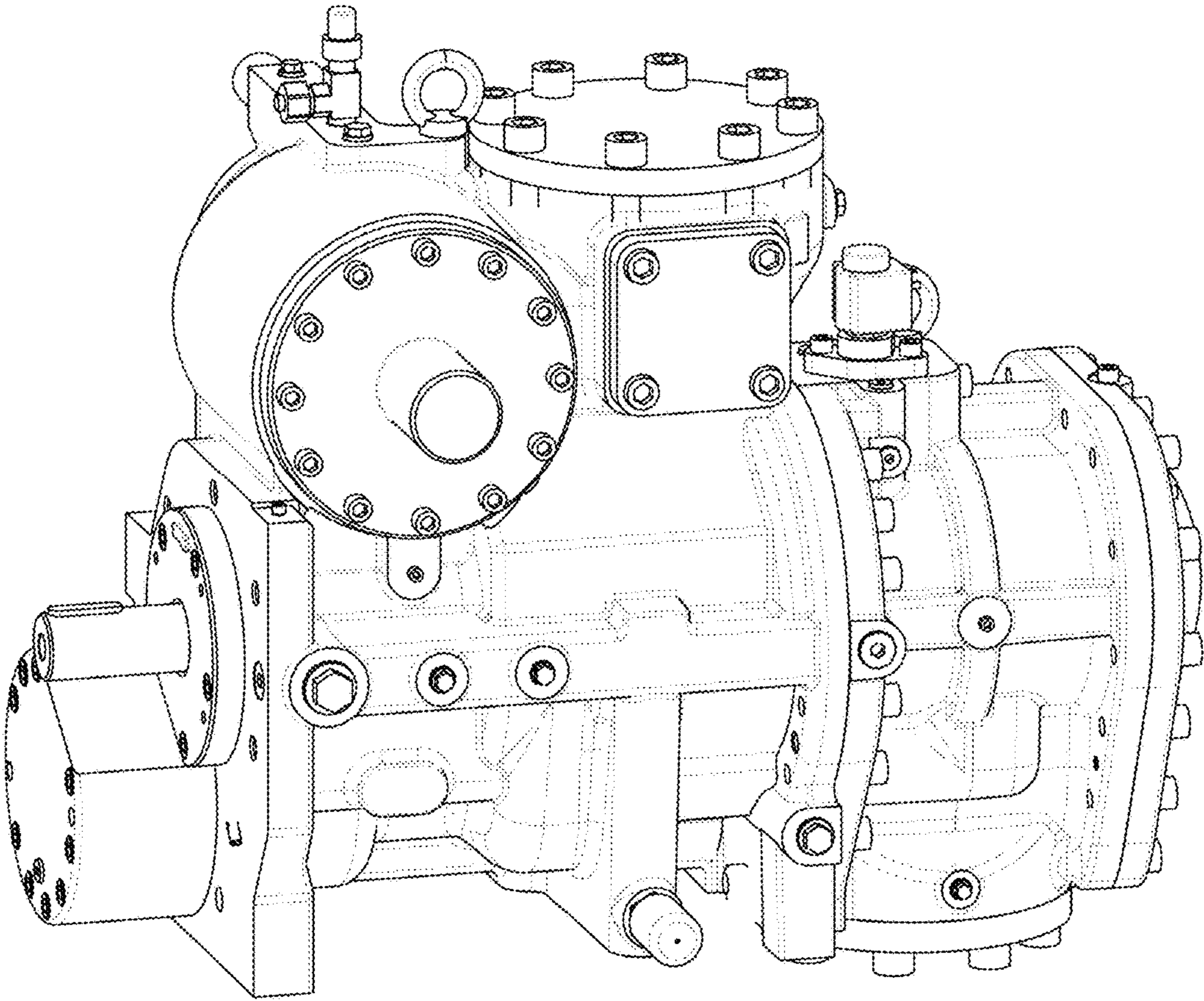


FIG. 8