



US00D828401S

(12) **United States Design Patent** (10) **Patent No.:** **US D828,401 S**  
**Leggett et al.** (45) **Date of Patent:** **\*\* Sep. 11, 2018**

(54) **WELL PUMP**

D215,885 S \* 11/1969 Svenson ..... D15/1  
D223,685 S \* 5/1972 McPherson ..... D15/138  
D226,482 S 3/1973 Uroshevich

(Continued)

(71) Applicants: **John Albert Leggett**, Burks Falls (CA);  
**Kyle William Jenkins**, Burks Falls  
(CA)

FOREIGN PATENT DOCUMENTS

(72) Inventors: **John Albert Leggett**, Burks Falls (CA);  
**Kyle William Jenkins**, Burks Falls  
(CA)

CA 2513961 2/2006  
CA ID130524 2/2010

(Continued)

(\*\*) Term: **15 Years**

OTHER PUBLICATIONS

(21) Appl. No.: **29/620,584**

Goggle—Freeflow underground hydrant, height-adjustable, <http://www.hawle.at/EN/PRODUCTS/WATER/DETAILS/GM200039-FREEFLOW-UNDERGROUND-HYDRANT-HEIGHT-ADJUSTABLE.HTML>; believed to have been publically available at least as early as Jan. 2012.

(22) Filed: **Mar. 3, 2017**

(30) **Foreign Application Priority Data**

Feb. 10, 2017 (CA) ..... 173058

(51) **LOC (11) Cl.** ..... **15-02**

(52) **U.S. Cl.**  
USPC ..... **D15/7**

(58) **Field of Classification Search**  
USPC ..... D15/7-9; D23/231, 232, 225; 417/60,  
417/235, 265, 321, 355, 358, 363, 359,  
417/410.1, 415-416, 405, 900, 269, 539;  
60/408, 412; 184/26-37; 415/140-147;  
123/495, 509; 137/565.34  
CPC ..... F02M 37/04; F02M 37/14; F04B 53/92;  
F04B 1/005; F04D 13/06; F04D 29/22;  
F04D 29/046; F04D 29/2266  
See application file for complete search history.

*Primary Examiner* — Ralf Seifert

(74) *Attorney, Agent, or Firm* — Douglas Eggins

(57) **CLAIM**

We claim the ornamental design for a well pump, as shown and described.

**DESCRIPTION**

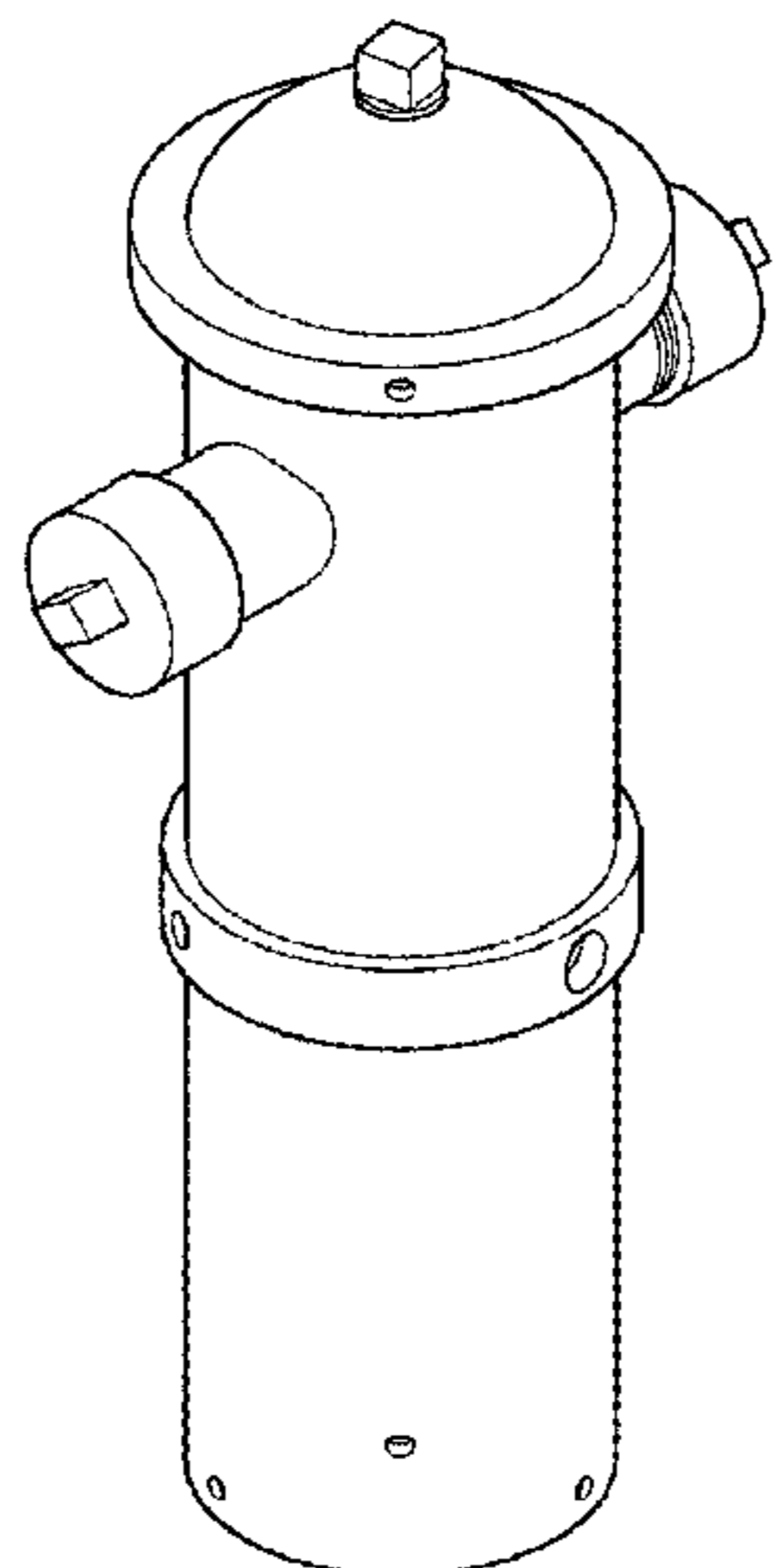
FIG. 1 is a perspective view of a well pump;  
FIG. 2 is a front elevational view of the well pump of FIG. 1;  
FIG. 3 is a rear elevational view of the well pump of FIG. 1;  
FIG. 4 is a top plan view of the well pump of FIG. 1;  
FIG. 5 is a bottom plan view of the well pump of FIG. 1;  
FIG. 6 is a right side elevational view of the well pump of FIG. 1; and,  
FIG. 7 is a left side elevational view of the well pump of FIG. 1.  
The broken lines are included for the purpose of illustrating portions of the well pump that form no part of the claimed design.

**1 Claim, 4 Drawing Sheets**

(56) **References Cited**

U.S. PATENT DOCUMENTS

753,349 A	3/1904	Bacon
1,172,959 A	2/1916	Dormon
1,200,691 A	10/1916	Mabe et al.
1,561,736 A	11/1925	Menige
2,099,928 A	11/1937	Doppelhammer
2,244,993 A	6/1941	Hollifield, Jr.
2,829,597 A	4/1958	Patterson
3,380,533 A	4/1968	Andrew



(56)

References Cited

U.S. PATENT DOCUMENTS

3,738,390 A 6/1973 Luckenbill  
 3,770,003 A 11/1973 Uroshevich  
 D229,783 S \* 1/1974 Campbell ..... D15/7  
 3,858,599 A 1/1975 Carlson  
 D236,756 S \* 9/1975 Franzen ..... D15/7  
 D237,011 S \* 9/1975 Stroberg et al. .... D15/7  
 3,914,966 A 10/1975 Bello  
 D258,210 S \* 2/1981 Shure ..... D15/7  
 4,280,525 A 7/1981 Byrnes  
 4,531,664 A 7/1985 Baski  
 4,552,515 A \* 11/1985 Endo ..... B67D 7/0205  
 137/147  
 D282,099 S 1/1986 Tropeano  
 D286,292 S \* 10/1986 Kingston ..... D15/9  
 4,653,522 A 3/1987 Fillman et al.  
 4,741,356 A 5/1988 Letzo et al.  
 4,757,641 A 7/1988 Penrod  
 5,099,565 A 3/1992 Campbell  
 5,697,393 A 12/1997 Mirlisena, Sr.  
 D401,944 S \* 12/1998 Campbell ..... D15/7  
 5,979,490 A 11/1999 Mirlisena, Sr.  
 6,047,723 A 4/2000 Hoepfner  
 D464,362 S \* 10/2002 Tsai ..... D15/7  
 6,684,900 B1 2/2004 McKeage

D491,577 S \* 6/2004 Akimoto ..... D15/7  
 D491,957 S \* 6/2004 Fang ..... D15/7  
 D492,324 S \* 6/2004 Stevens ..... D15/7  
 6,899,120 B1 5/2005 Motley  
 D644,666 S \* 9/2011 Fukano ..... D15/7  
 D678,338 S \* 3/2013 O'Shea ..... D15/7  
 8,413,675 B2 4/2013 Cantrell  
 D689,907 S \* 9/2013 Rogers ..... D15/7  
 8,844,558 B2 9/2014 Ball et al.  
 8,851,104 B2 10/2014 One  
 D769,943 S \* 10/2016 Charriere ..... D15/7  
 D775,236 S \* 12/2016 Bruning ..... D15/7  
 D787,325 S \* 5/2017 Young ..... D15/7  
 D787,560 S \* 5/2017 Peterman ..... D15/7  
 D800,176 S \* 10/2017 Soto ..... D15/7  
 2007/0163653 A1 7/2007 Gomo  
 2011/0186145 A1 8/2011 Cantrell  
 2015/0001429 A1 1/2015 Ball et al.

FOREIGN PATENT DOCUMENTS

EP 545840 9/1993  
 EP 717156 6/1996  
 EP 791695 8/1997  
 WO WO2016/114735 7/2016

\* cited by examiner

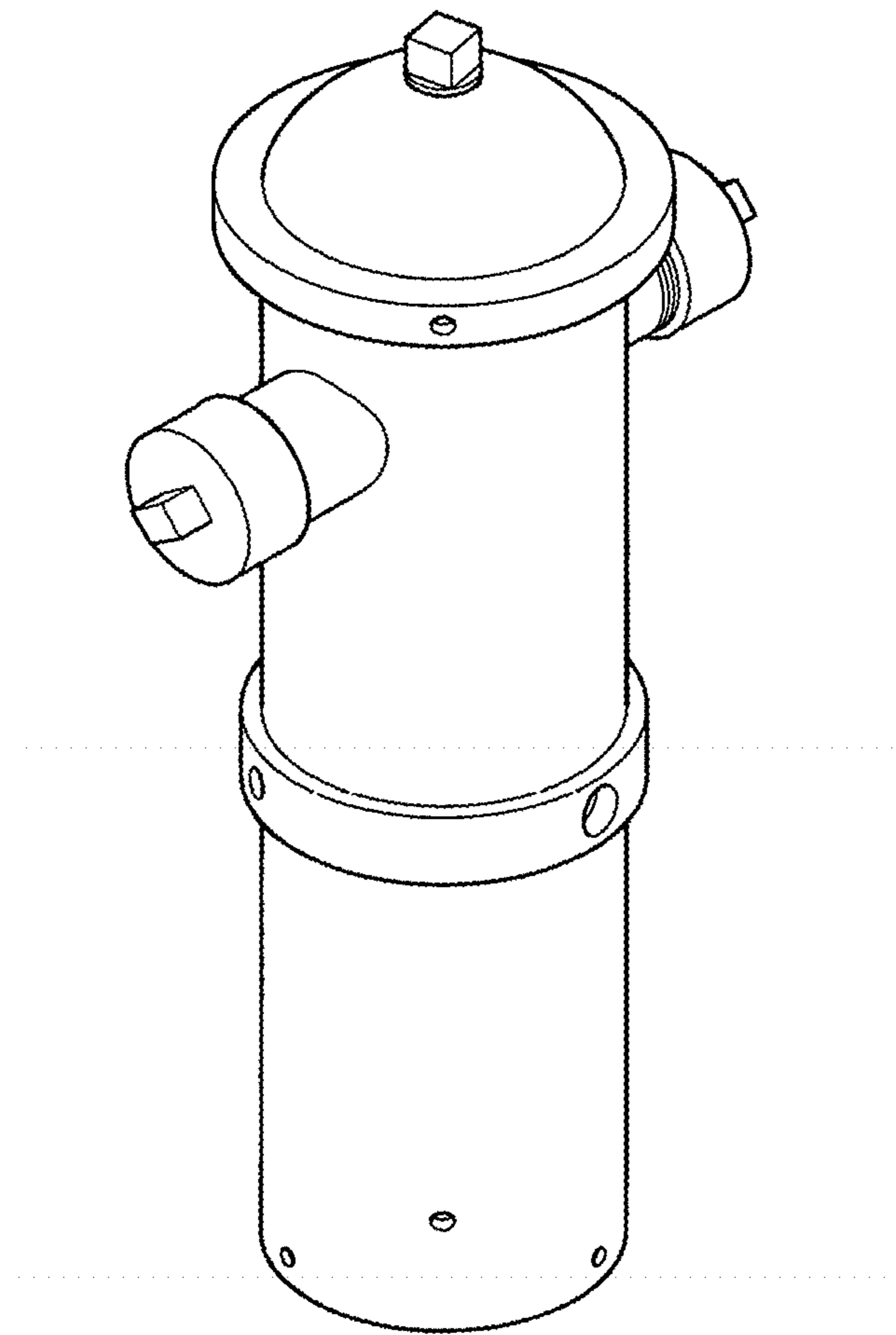


Figure 1

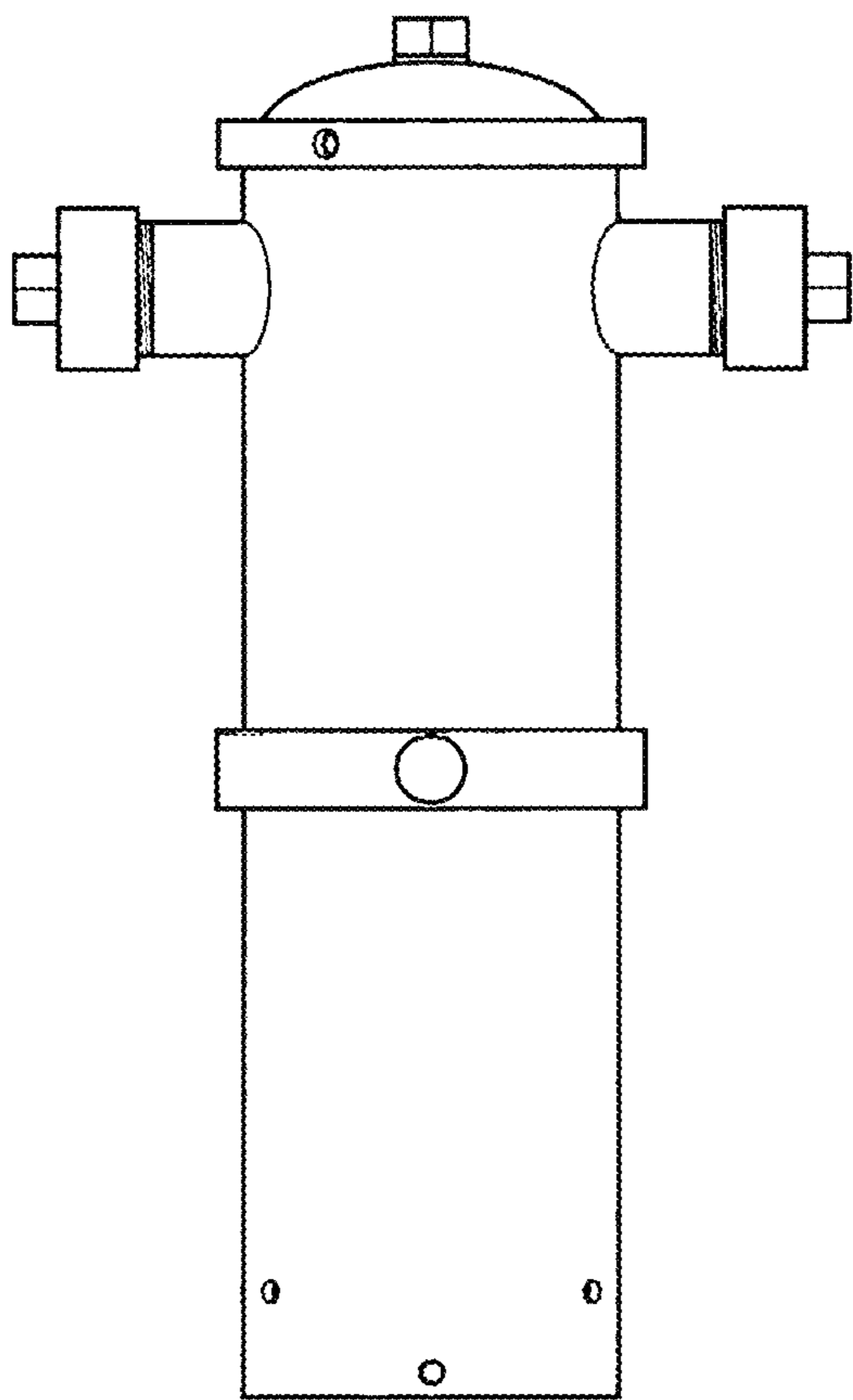


Figure 2

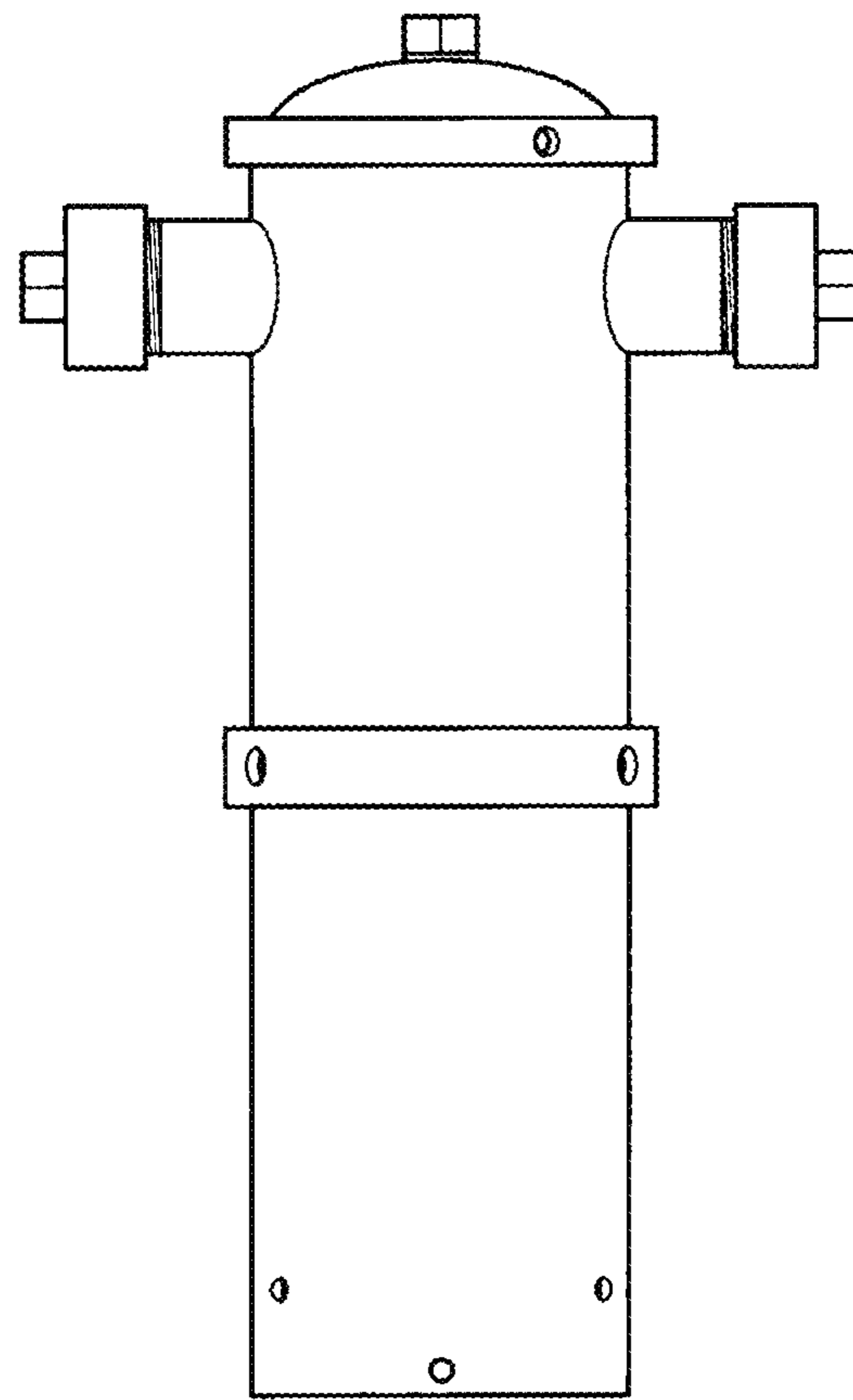


Figure 3

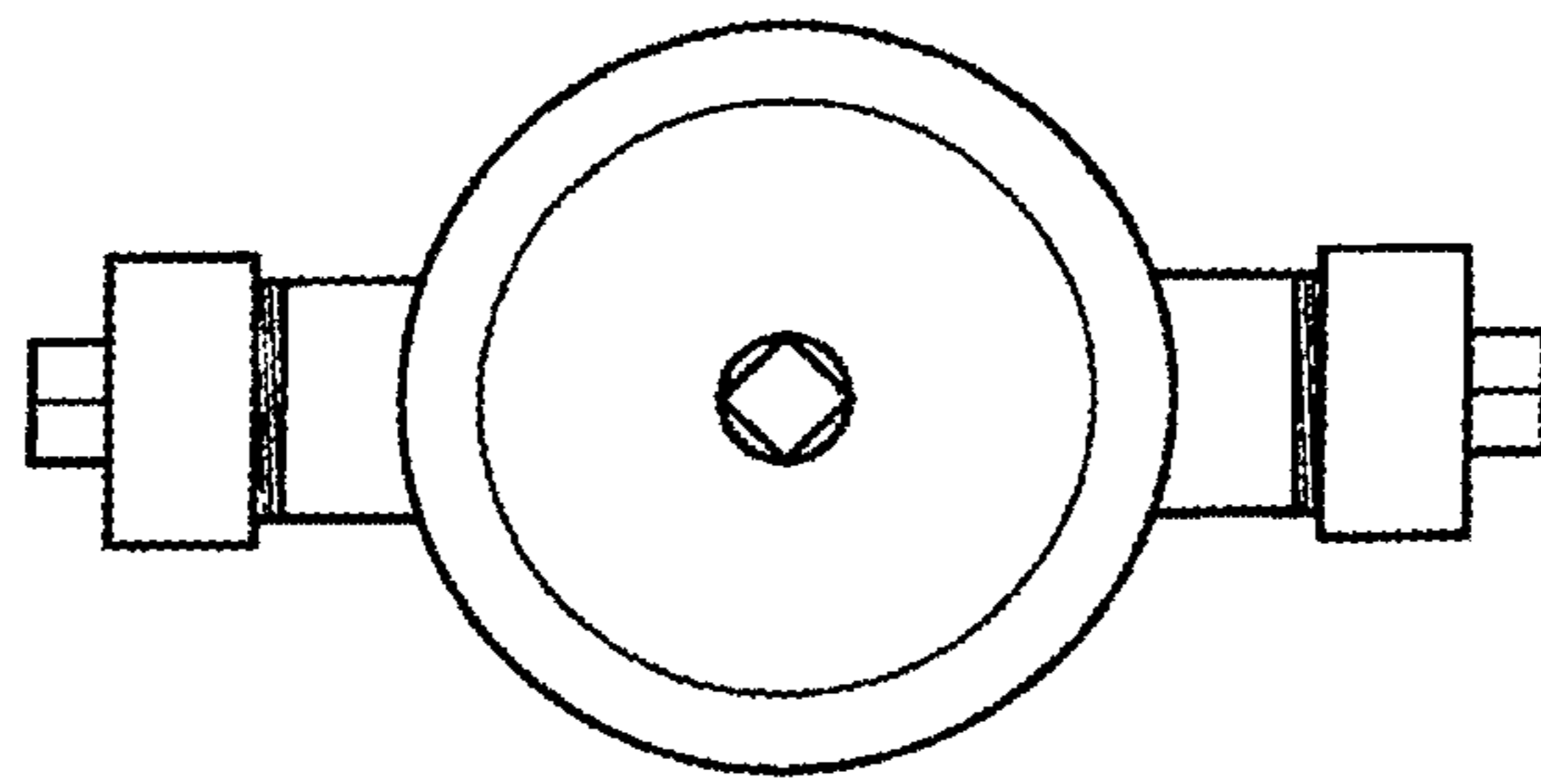


Figure 4

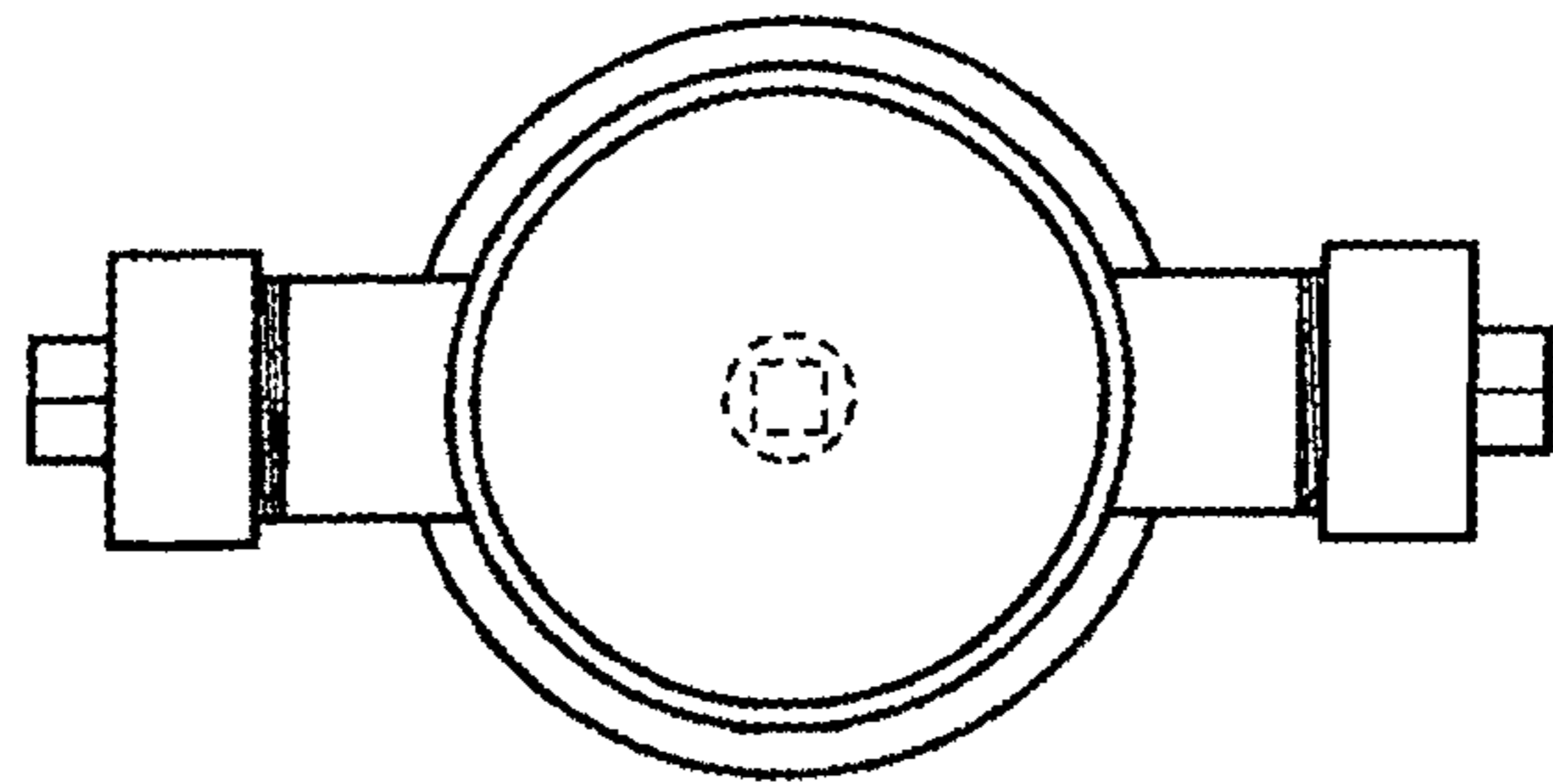


Figure 5

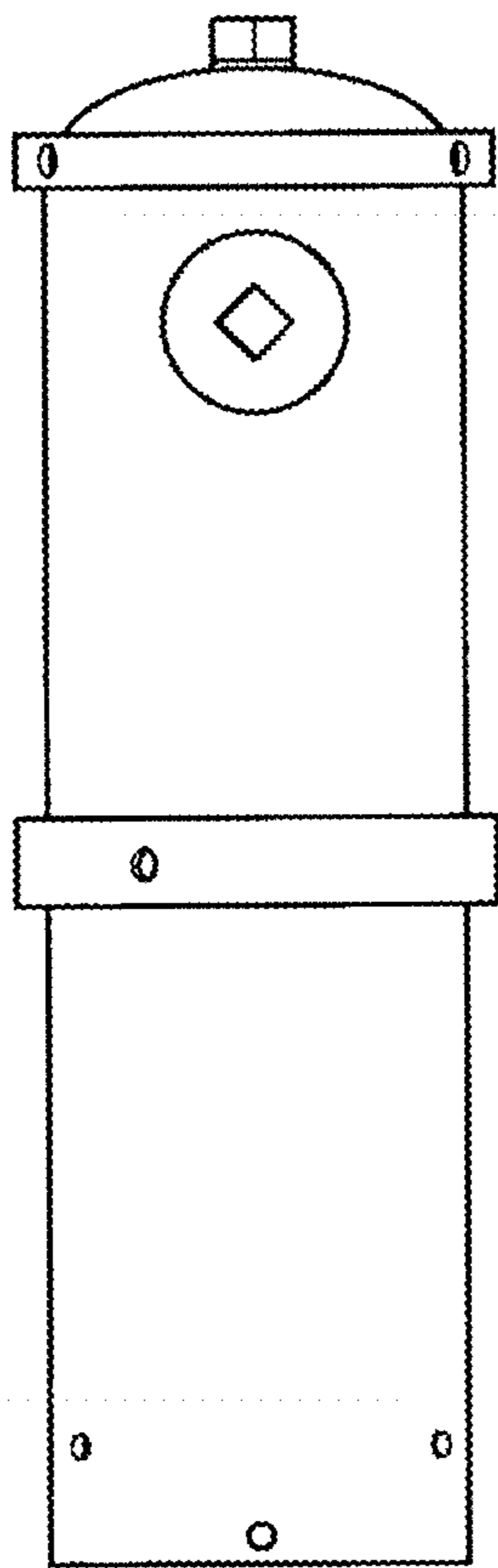


Figure 7

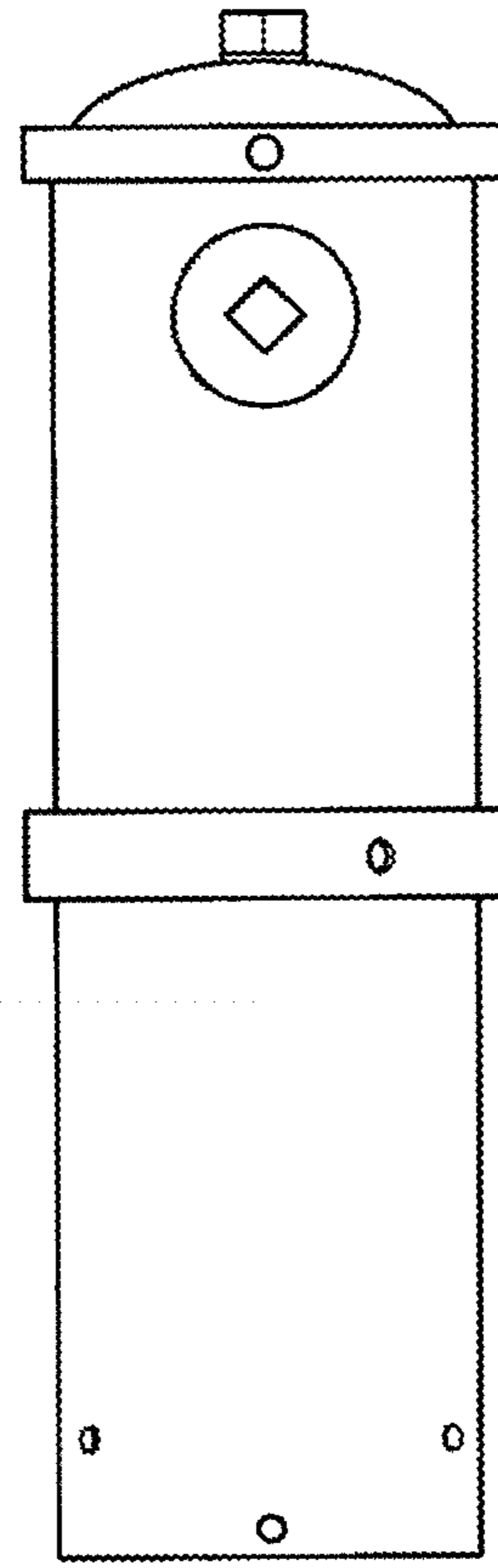


Figure 6