



US00D828400S

(12) **United States Design Patent**
Cinotti et al.

(10) **Patent No.:** **US D828,400 S**
(45) **Date of Patent:** **** Sep. 11, 2018**

(54) **PUMP IMPELLER**

(71) Applicant: **Weir Minerals Australia Ltd.**,
Artarmon NSW (AU)

(72) Inventors: **Nestor Cinotti**, Elanora Heights (AU);
David Hamilton, Forestville (AU)

(73) Assignee: **Weir Minerals Australia Ltd.** (AU)

(**) Term: **15 Years**

(21) Appl. No.: **29/594,808**

(22) Filed: **Feb. 22, 2017**

(30) **Foreign Application Priority Data**

Aug. 25, 2016 (AU) 201614664

(51) **LOC (11) Cl.** **15-02**

(52) **U.S. Cl.**
USPC **D15/7**

(58) **Field of Classification Search**
USPC D15/7-9, 28; D23/231, 232, 225, 379,
D23/411; 417/60, 235, 265, 321, 355,
417/358, 363, 359, 410.1, 415-416, 405,
417/900; 60/408, 412; 184/26-37;
415/131, 140-147; 416/175, 180, 183;
29/889.23
CPC F02M 37/04; F02M 37/14; F04D 7/04;
F04D 29/2288; F04D 1/006; F04D
29/284; F01D 17/143; B21K 25/00; B23P
15/04; B01F 3/12
See application file for complete search history.

(56) **References Cited**

U.S. PATENT DOCUMENTS

3,953,150 A * 4/1976 Onal F04D 1/006
416/175
4,208,169 A 6/1980 Becker et al.
D258,588 S * 3/1981 Sugiura D15/7
D258,589 S * 3/1981 Sugiura D15/7

D268,112 S * 3/1983 Sugiura D15/7
4,904,159 A 2/1990 Wickoren
6,074,167 A * 6/2000 Olifirov F01D 17/143
415/131
D443,281 S * 6/2001 Sodergard D15/7
(Continued)

FOREIGN PATENT DOCUMENTS

AU 2013202462 B2 5/2013

Primary Examiner — Ralf Seifert

(74) *Attorney, Agent, or Firm* — Morriss O’Bryant
Compagni

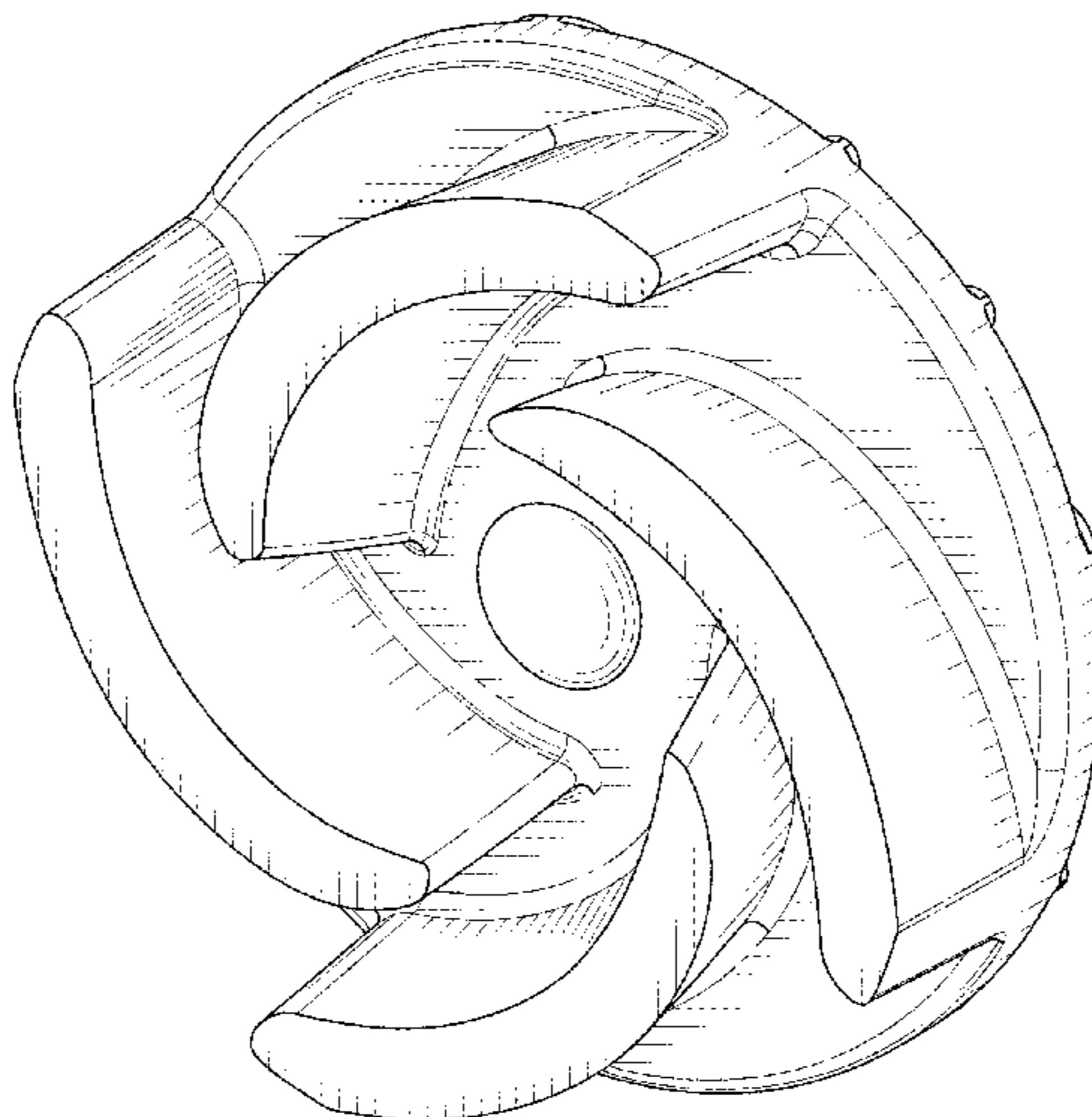
(57) **CLAIM**

The ornamental design for a pump impeller, as shown and described herein.

DESCRIPTION

FIG. 1 is a perspective view of the front of the impeller showing our new design;
FIG. 2 is a perspective view of the back of the impeller showing our new design;
FIG. 3 is a plan view of the front of the impeller;
FIG. 4 is a plan view of the back of the impeller;
FIG. 5 is a side elevation view of the impeller, with the back of the impeller facing to the left of the page;
FIG. 6 is a side elevation view of the impeller shown in FIG. 5, with the back of the impeller facing to the right of the page;
FIG. 7 is a side elevation view of the impeller shown in FIG. 5, having been rotated ninety degrees both vertically and horizontally, the back of the impeller facing to top of the page; and,
FIG. 8 is a side elevation view of the impeller shown in FIG. 7, with the back of the impeller facing toward the bottom of the page.
The broken lines shown in FIGS. 2 and 4 are included for the purpose of illustrating portions of the pump impeller that form no part of the claimed design.

1 Claim, 6 Drawing Sheets



(56)

References Cited

U.S. PATENT DOCUMENTS

7,114,925 B2 * 10/2006 Shaw F04D 29/2288
 415/121.1
 7,210,226 B2 * 5/2007 Makinson B29C 45/14065
 29/407.01
 D554,150 S * 10/2007 Fausett D15/5
 D583,391 S * 12/2008 Metcalfe D15/7
 D586,826 S * 2/2009 Cantrill D15/7
 D603,878 S * 11/2009 Chu D15/9
 D630,721 S * 1/2011 Kenyon D23/379
 8,025,479 B2 9/2011 Scrott
 8,439,642 B2 5/2013 Scott et al.
 8,511,998 B2 * 8/2013 Burgess F04D 29/2288
 29/402.08
 8,545,091 B1 * 10/2013 Arribau B01F 3/12
 366/167.2
 D694,266 S * 11/2013 Haddad D15/7
 D712,434 S * 9/2014 Hastings D15/7
 D732,581 S * 6/2015 Swiatek F04D 29/30
 D15/7
 9,086,075 B2 * 7/2015 Miller F01D 5/048
 D762,840 S * 8/2016 Wilkins D15/7
 D762,841 S * 8/2016 Wilkins D15/7
 D791,841 S * 7/2017 Obuchi D15/7
 2009/0092478 A1 4/2009 Eslinger
 2010/0284812 A1 11/2010 Zandeh
 2016/0040682 A1 2/2016 Walker

* cited by examiner

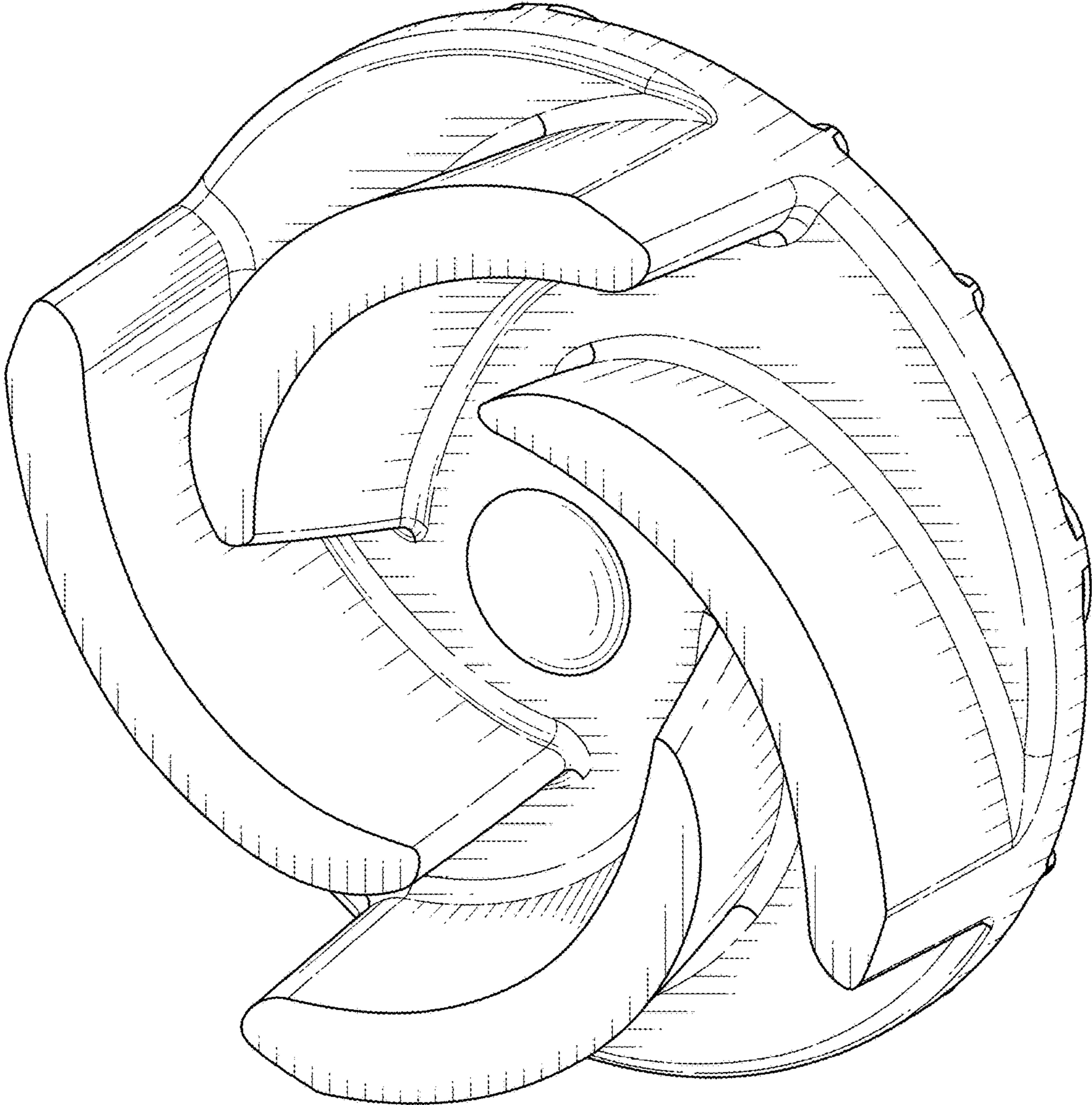


FIG. 1

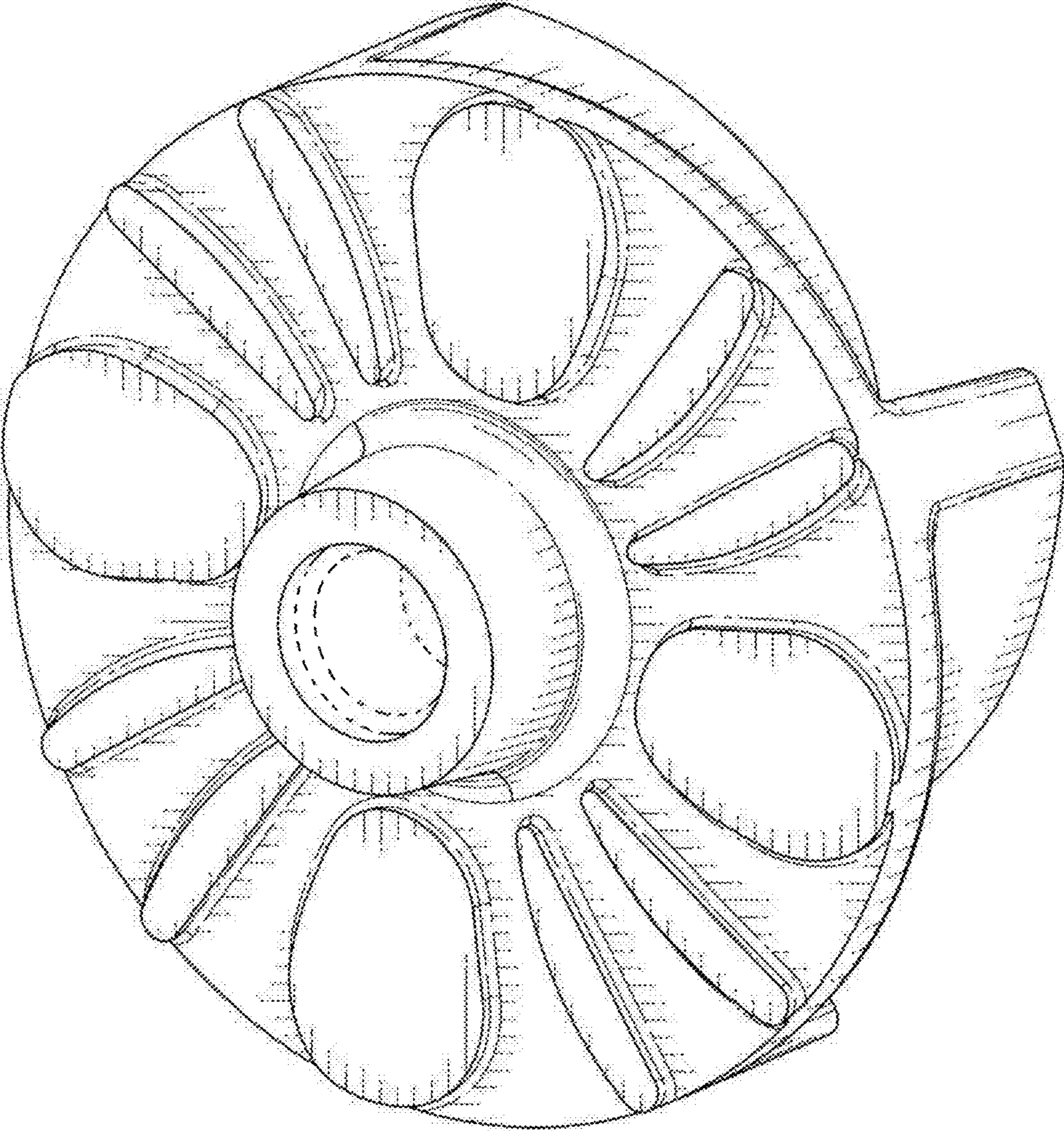


FIG. 2

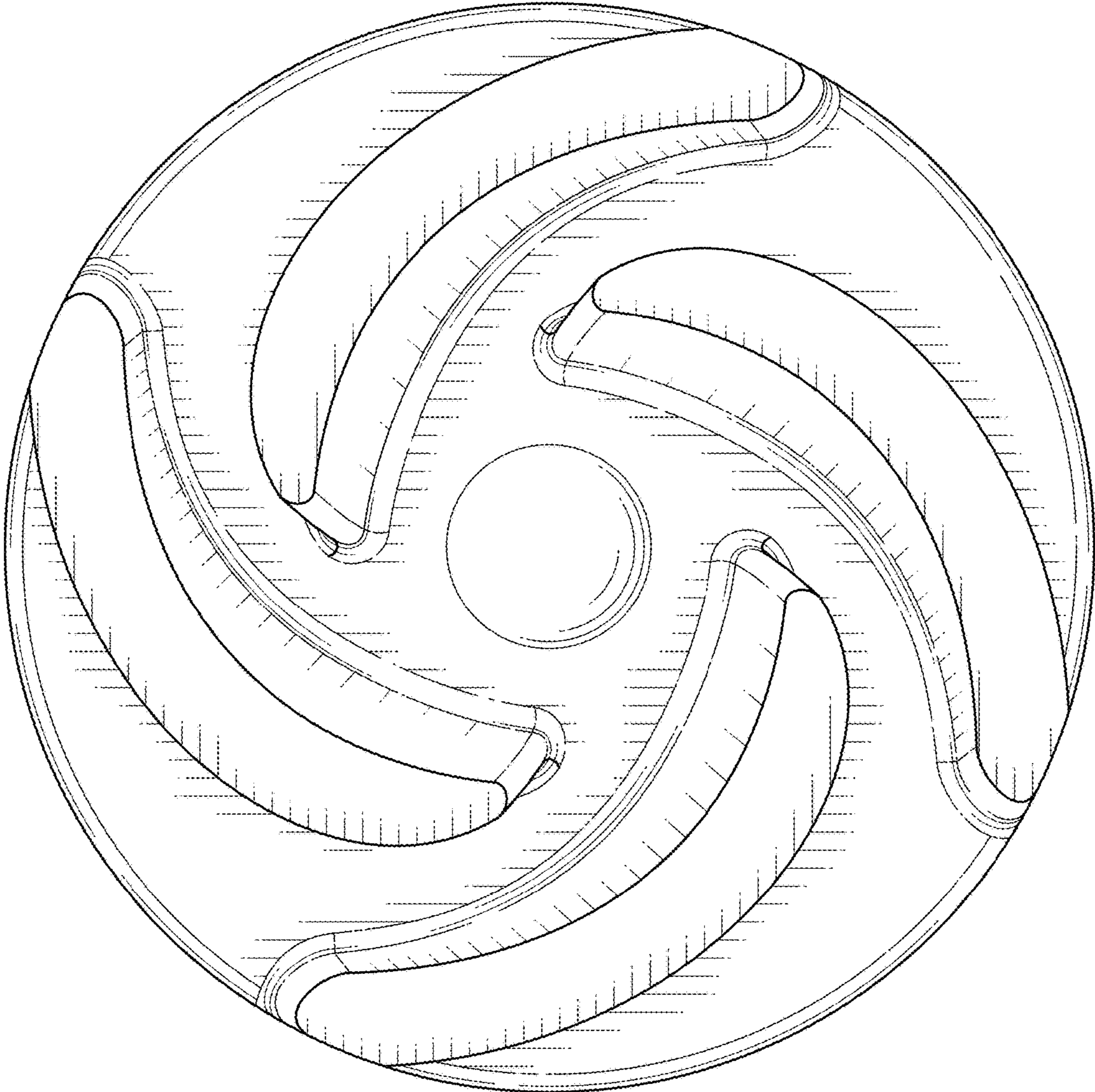


FIG. 3

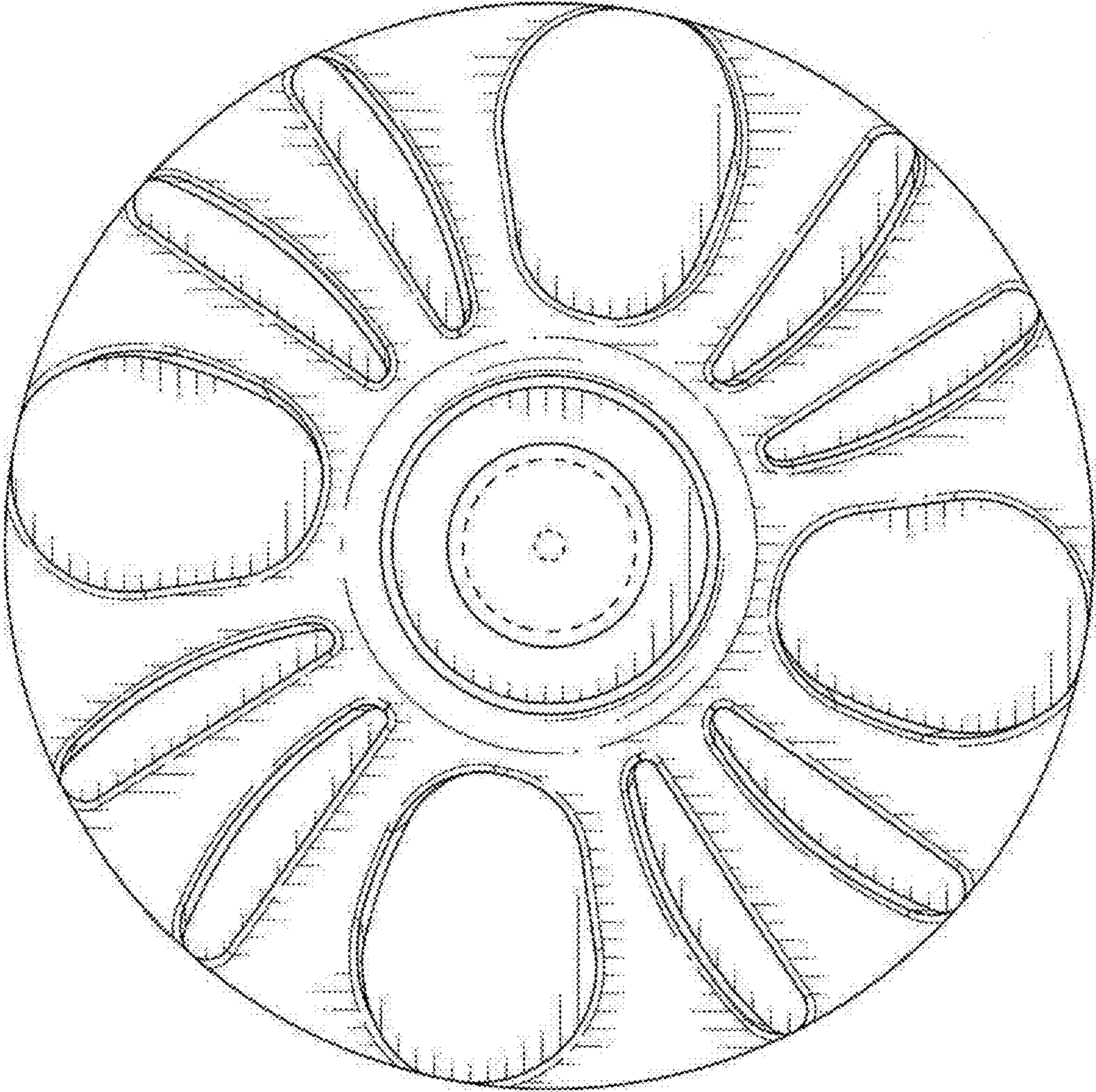


FIG. 4

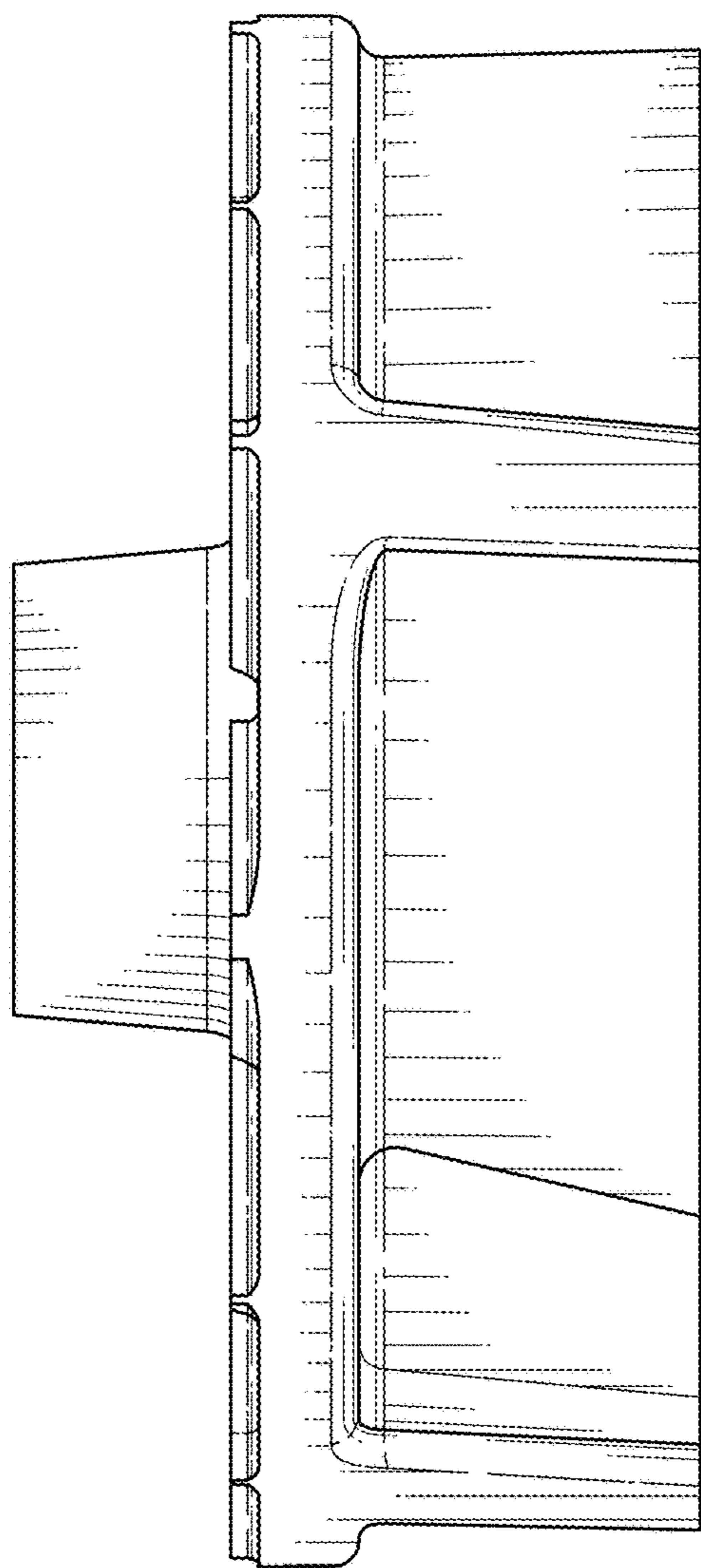


FIG. 5

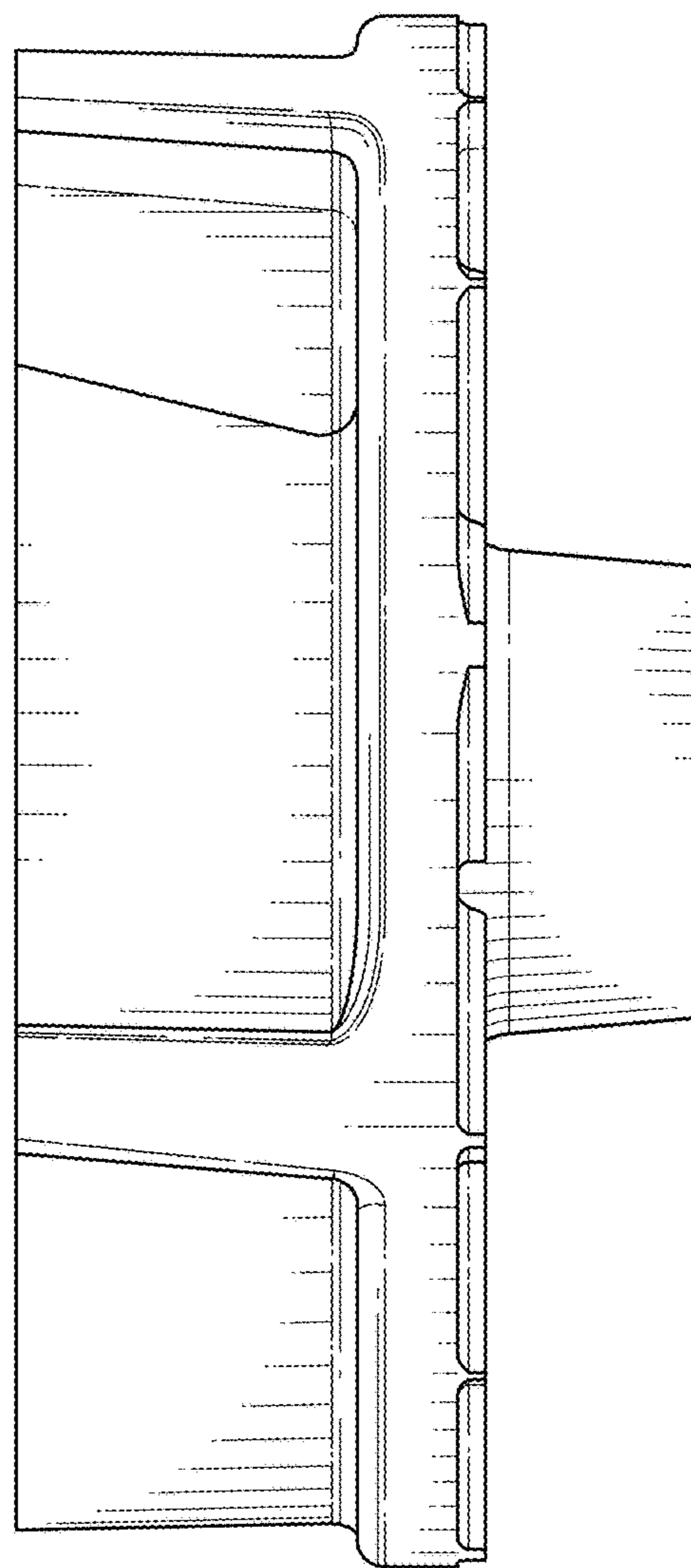


FIG. 6

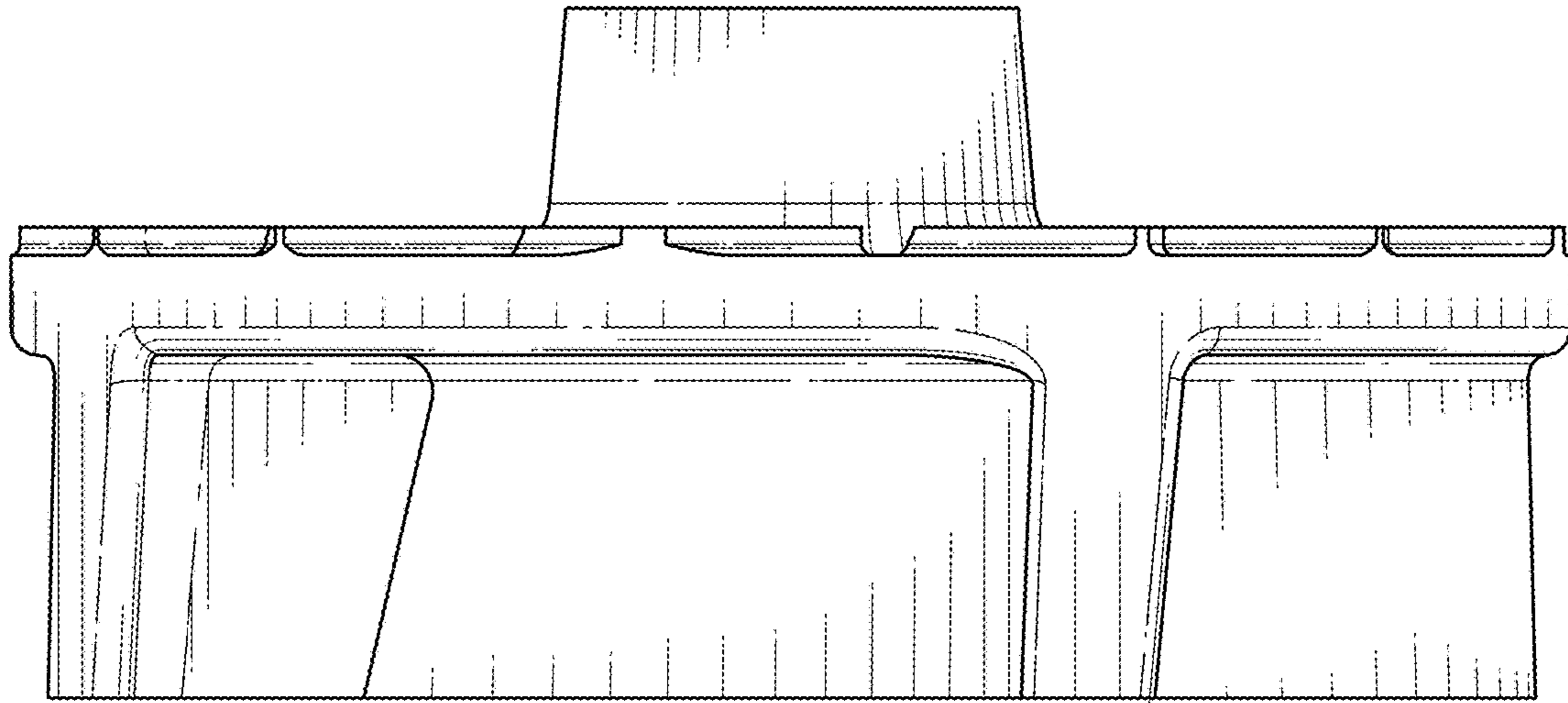


FIG. 7

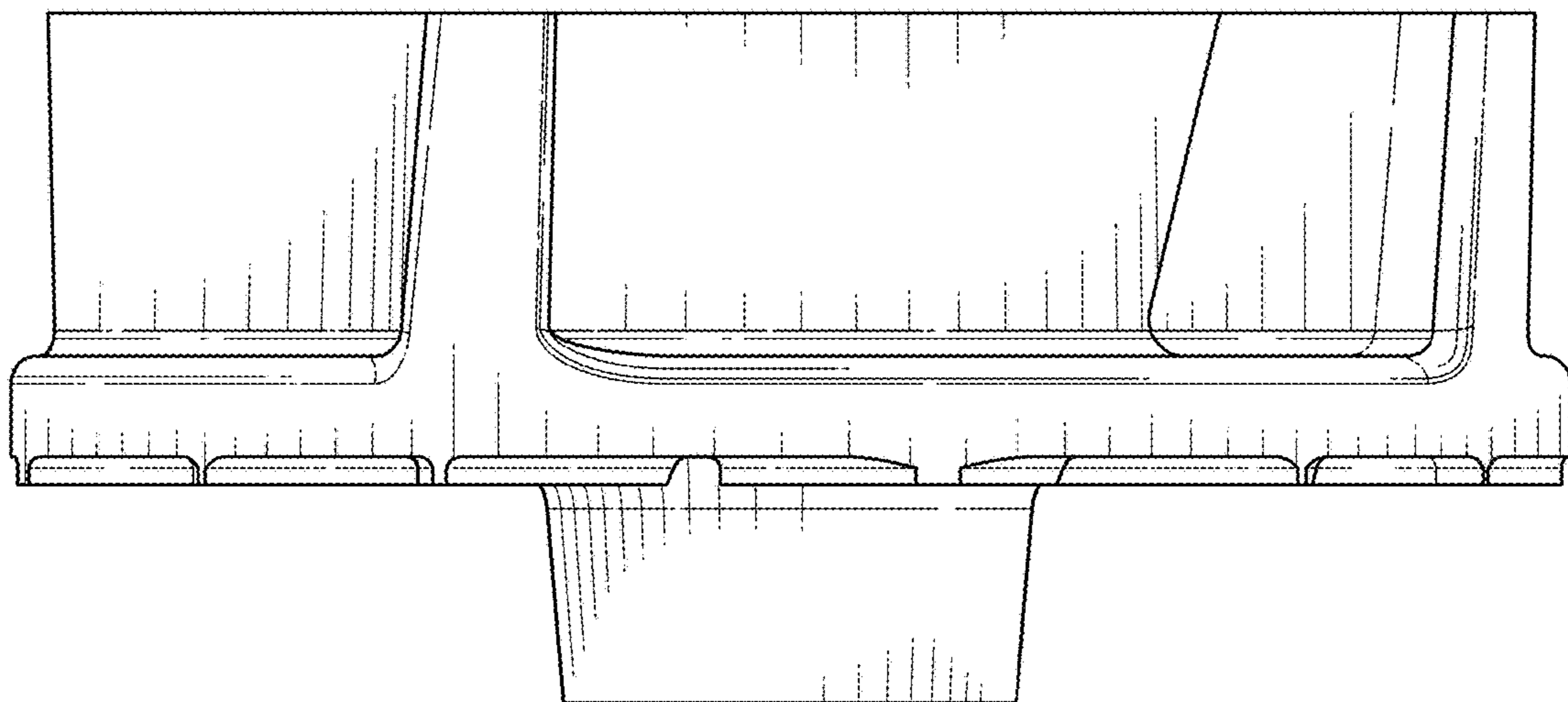


FIG. 8