



US00D828399S

(12) **United States Design Patent** (10) **Patent No.:** **US D828,399 S**
Fitzgerald et al. (45) **Date of Patent:** **** Sep. 11, 2018**

(54) **THROTTLE BODY COUPLER**
(71) Applicants: **Chandler Fitzgerald**, St. George, UT
(US); **Zane Koch**, Washington, UT
(US)
(72) Inventors: **Chandler Fitzgerald**, St. George, UT
(US); **Zane Koch**, Washington, UT
(US)
(**) Term: **15 Years**
(21) Appl. No.: **29/595,199**
(22) Filed: **Feb. 27, 2017**
(51) **LOC (11) Cl.** **15-01**
(52) **U.S. Cl.**
USPC **D15/5**
(58) **Field of Classification Search**
USPC D15/5, 6; D23/259-269
CPC F02D 9/1035; F02D 11/10; F02D 9/107;
F04D 29/403; F04D 29/668; F04D 25/08
See application file for complete search history.

(56) **References Cited**
U.S. PATENT DOCUMENTS
D229,496 S * 12/1973 Hand D23/262
D234,847 S * 4/1975 Hoffman D23/262
D347,467 S * 5/1994 Medvick D23/262
D517,667 S * 3/2006 Sener D23/262
D753,726 S * 4/2016 Fitzgerald D15/5
9,346,663 B1 * 5/2016 Schultz, Jr. B67D 7/54
D788,886 S * 6/2017 Salzer D23/259

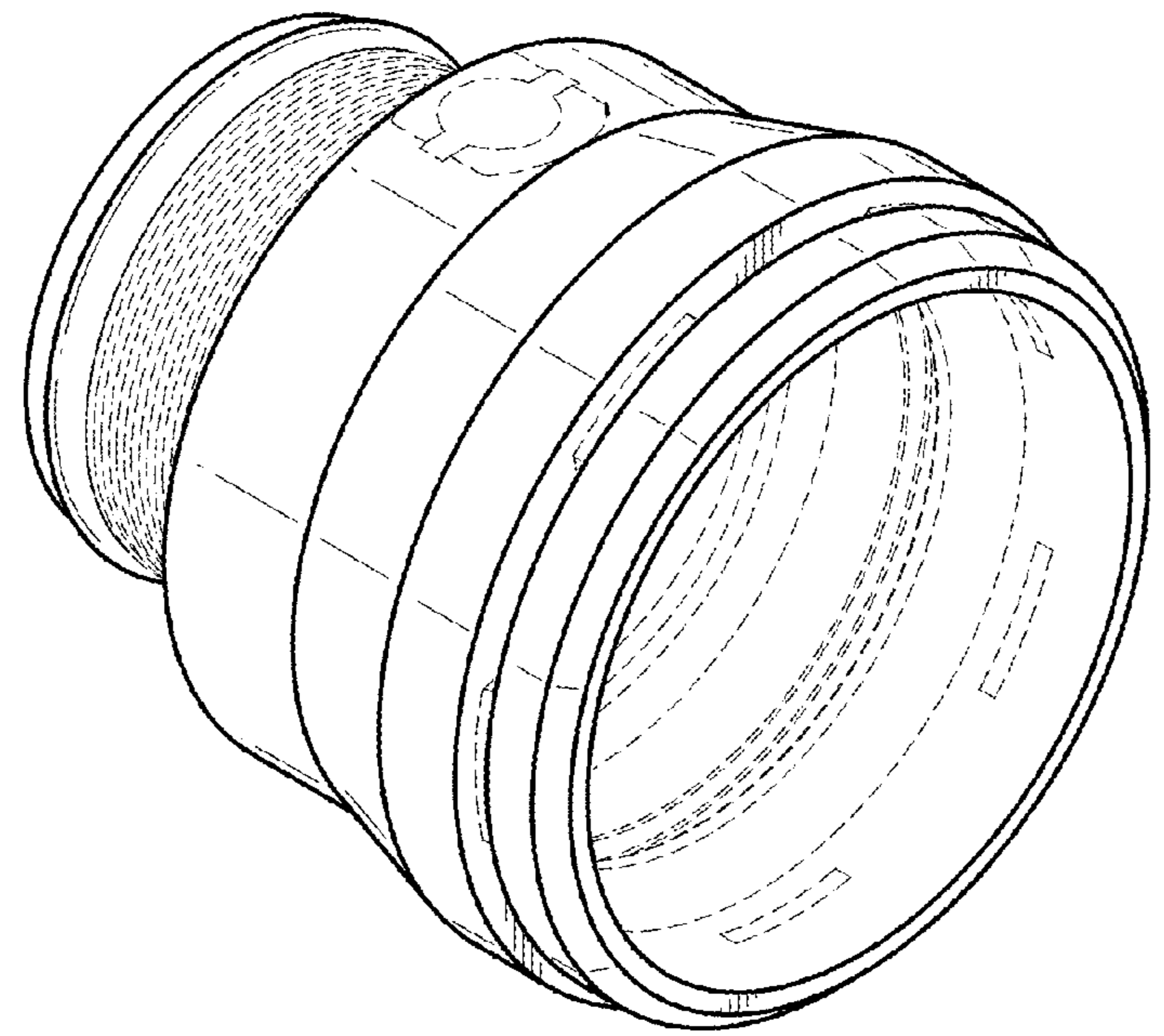
9,802,809 B1 * 10/2017 Schultz, Jr. B65D 25/48
2002/0100892 A1 * 8/2002 Kawai F02D 9/104
251/305
2008/0054211 A1 * 3/2008 Pervaiz F16K 5/0485
251/214
2013/0263970 A1 * 10/2013 Schultz, Jr. F16L 29/04
141/301
2016/0238167 A1 * 8/2016 Hartmann B65G 39/125
2016/0377001 A1 * 12/2016 Taylor F02D 9/1035
123/337

* cited by examiner
Primary Examiner — T Chase Nelson
Assistant Examiner — Ania Aman
(74) *Attorney, Agent, or Firm* — Gurr & Brande, PLLC;
Robert A. Gurr

(57) **CLAIM**
The ornamental design for a throttle body coupler, as shown
and described.

DESCRIPTION
FIG. 1 is a perspective view of the throttle body coupler;
FIG. 2 is a left-side elevation view of the throttle body
coupler;
FIG. 3 is a right-side elevation view of the throttle body
coupler;
FIG. 4 is a top view of the throttle body coupler; and,
FIG. 5 is a bottom view of the throttle body coupler.
The broken lines shown in the drawings are for the purpose
of illustrating portions of the article that form no part of the
claimed design.

1 Claim, 3 Drawing Sheets



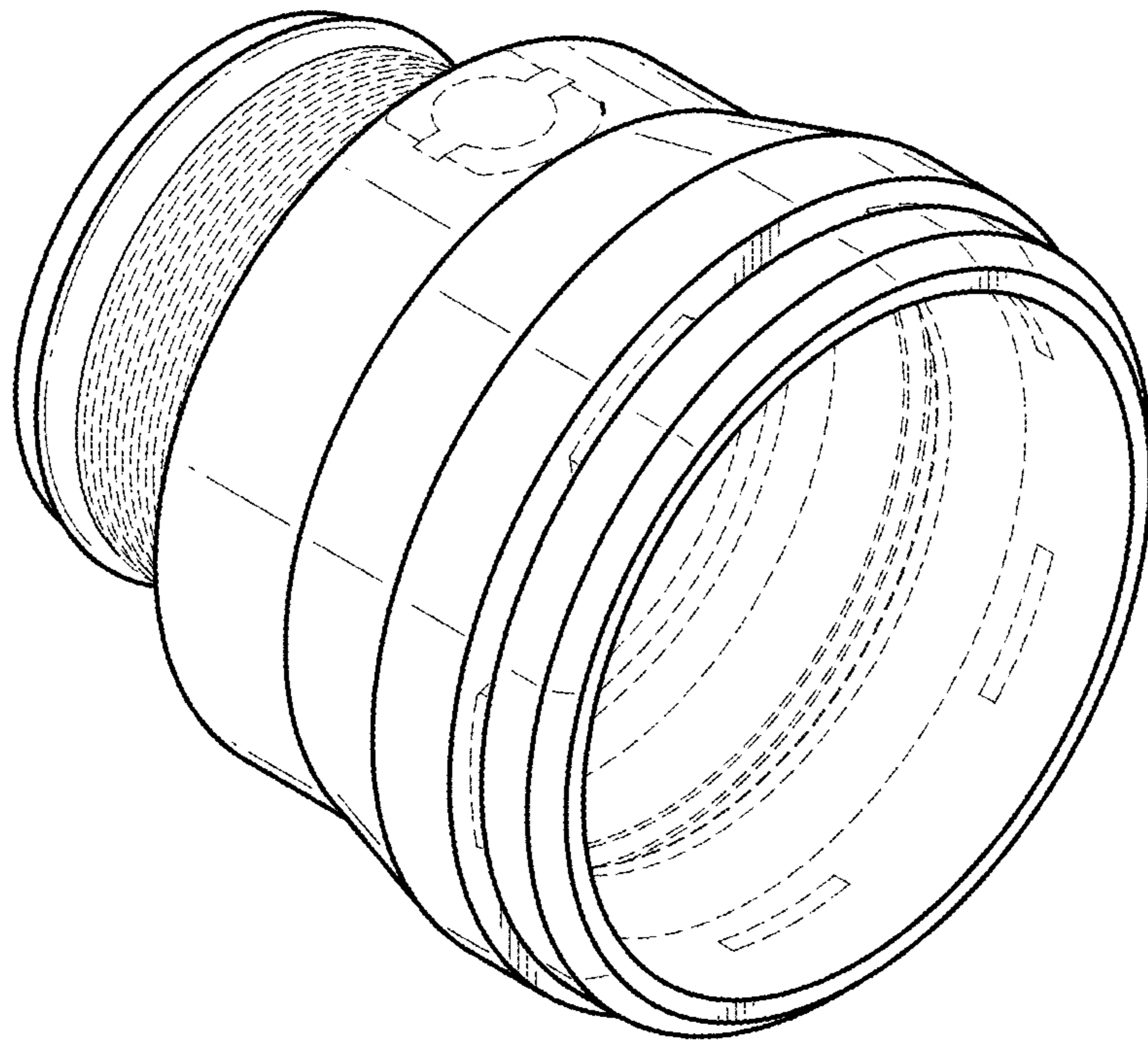


FIG. 1

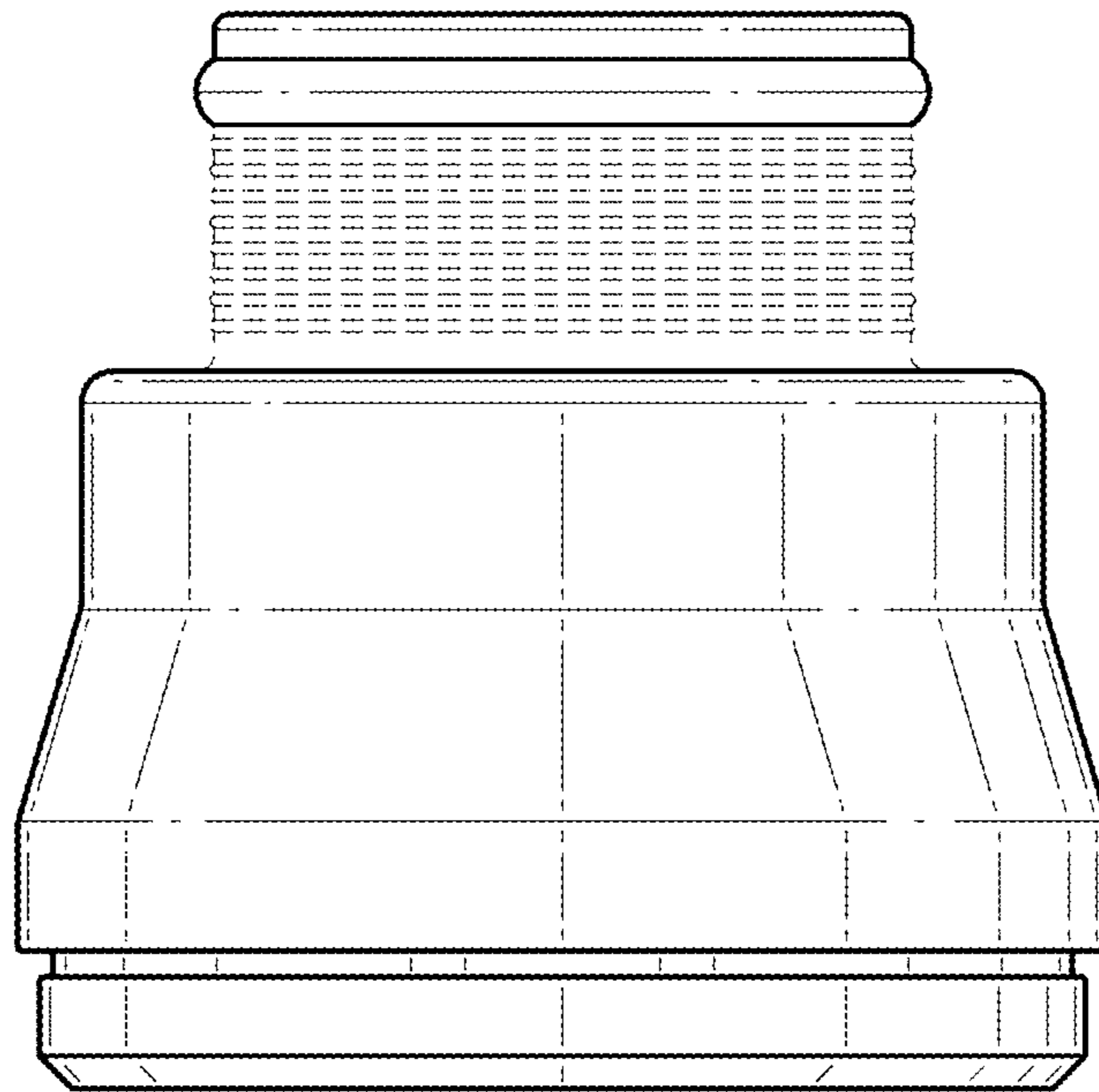


FIG. 2

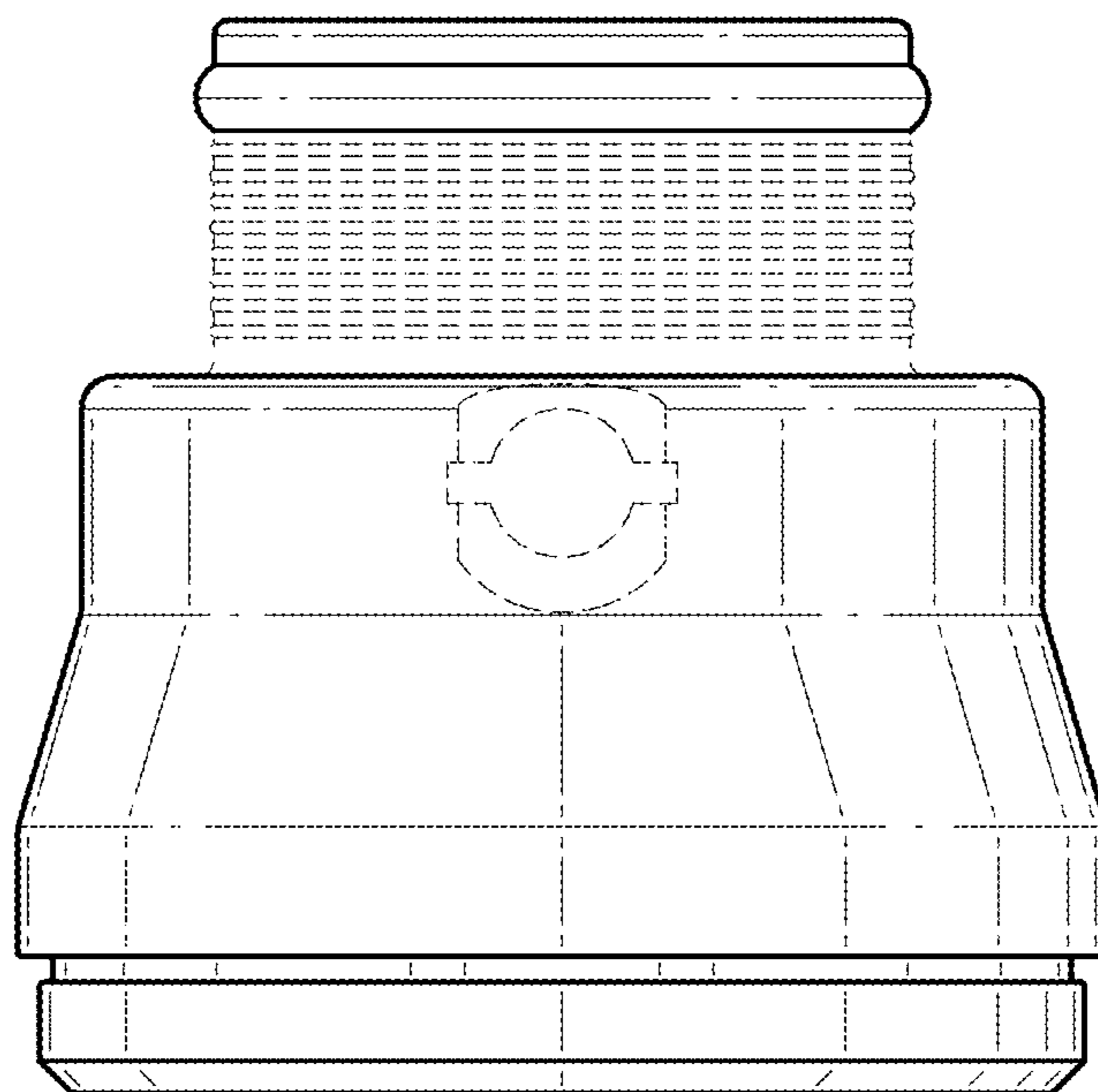


FIG. 3

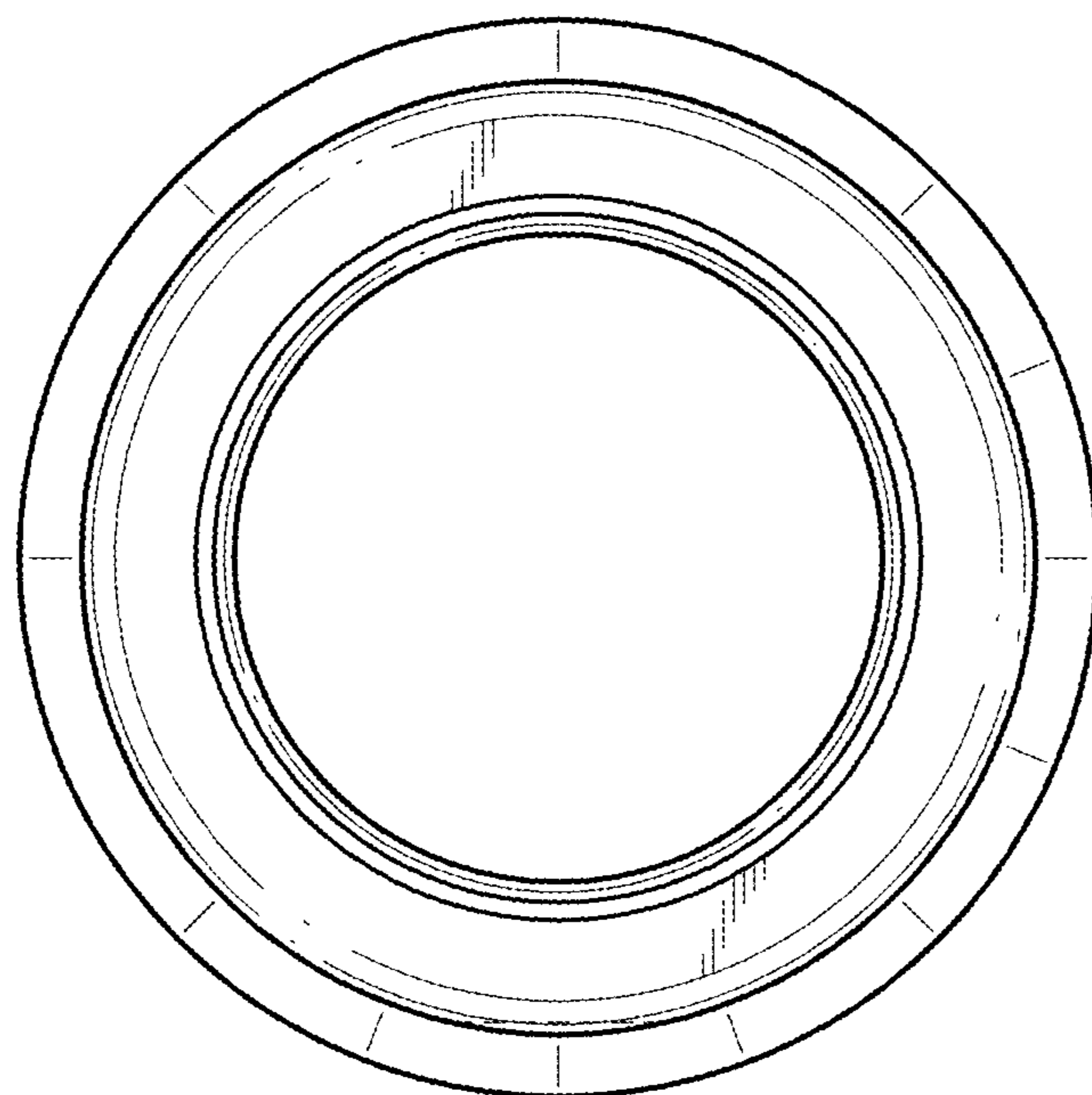


FIG. 4

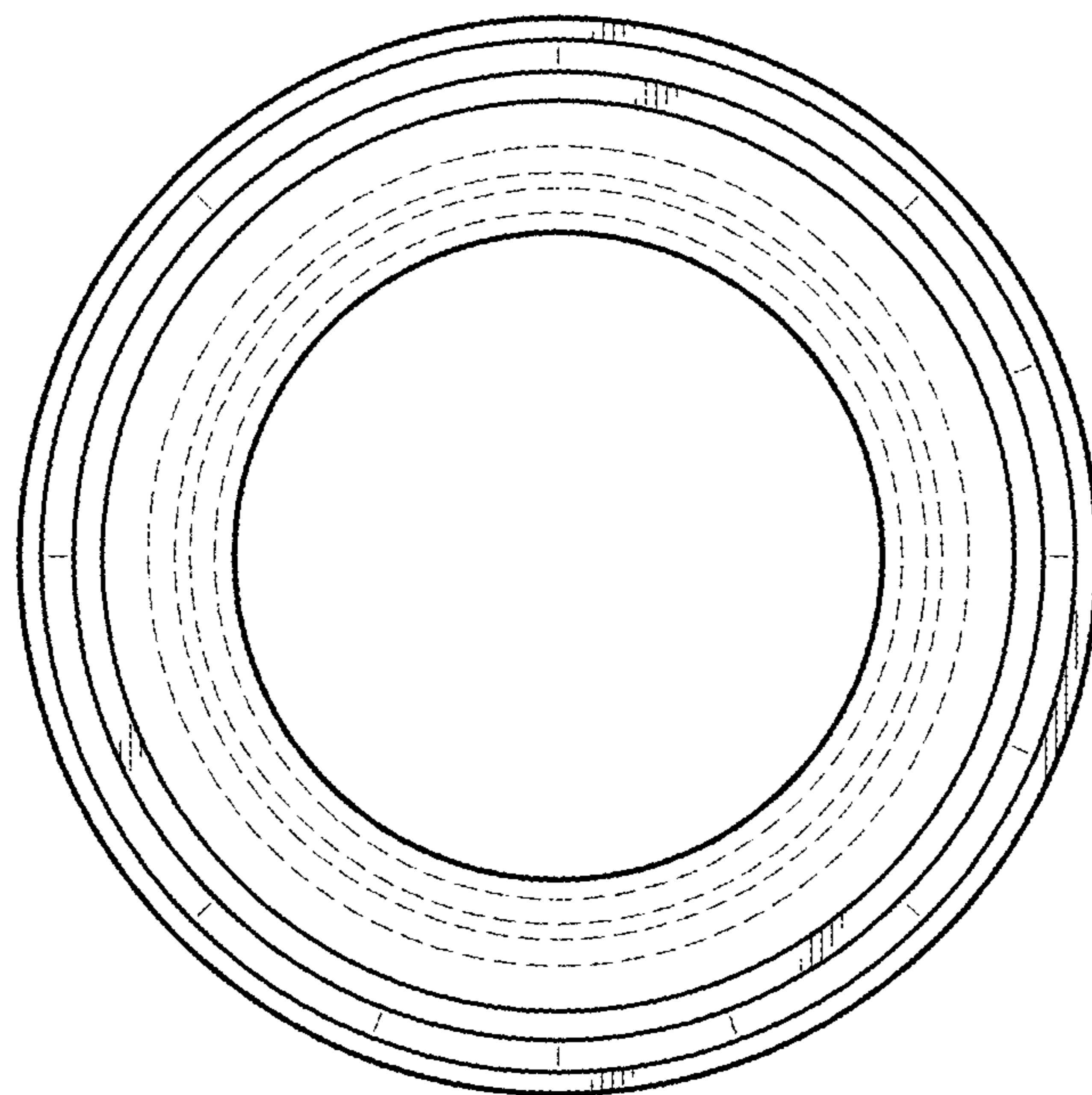


FIG. 5