



US00D828398S

(12) **United States Design Patent** (10) **Patent No.:** **US D828,398 S**
Shea et al. (45) **Date of Patent:** **** Sep. 11, 2018**

(54) **FUEL CELL METERING VALVE**
(71) Applicant: **Illinois Tool Works Inc.**, Glenview, IL (US)
(72) Inventors: **Maureen L. Shea**, Chicago, IL (US); **Anna Ky**, Harwood Heights, IL (US); **DeShaunne LeAnne Owens**, Chicago, IL (US)
(73) Assignee: **Illinois Tool Works Inc.**, Glenview, IL (US)

D529,578 S * 10/2006 Yamamoto D23/233
7,392,922 B2 * 7/2008 Vanstaan B25C 1/08
222/402.1
7,478,740 B2 1/2009 Shea et al.
D590,840 S 4/2009 Shea et al.
(Continued)

(**) Term: **15 Years**
(21) Appl. No.: **29/586,985**
(22) Filed: **Dec. 8, 2016**

FOREIGN PATENT DOCUMENTS
EP 1254745 11/2002
EP 2815851 12/2014

(51) **LOC (11) Cl.** **15-01**
(52) **U.S. Cl.**
USPC **D15/5**
(58) **Field of Classification Search**
USPC D15/5, 148; 137/224, 226, 12; 152/450,
152/415; 227/9, 142, 10; D23/233, 249;
123/46 SC; 222/402.1
CPC B60C 29/06; B60C 29/005; B60C 29/04;
B60C 29/066; B60C 23/00; B60C
23/0494; B60C 29/068; F16K 15/20
See application file for complete search history.

OTHER PUBLICATIONS
European Patent Office as International Searching Authority, International Search Report and Written Opinion in pending Application No. PCT/US2016/062529, dated Mar. 21, 2017 (11 pages).
(Continued)

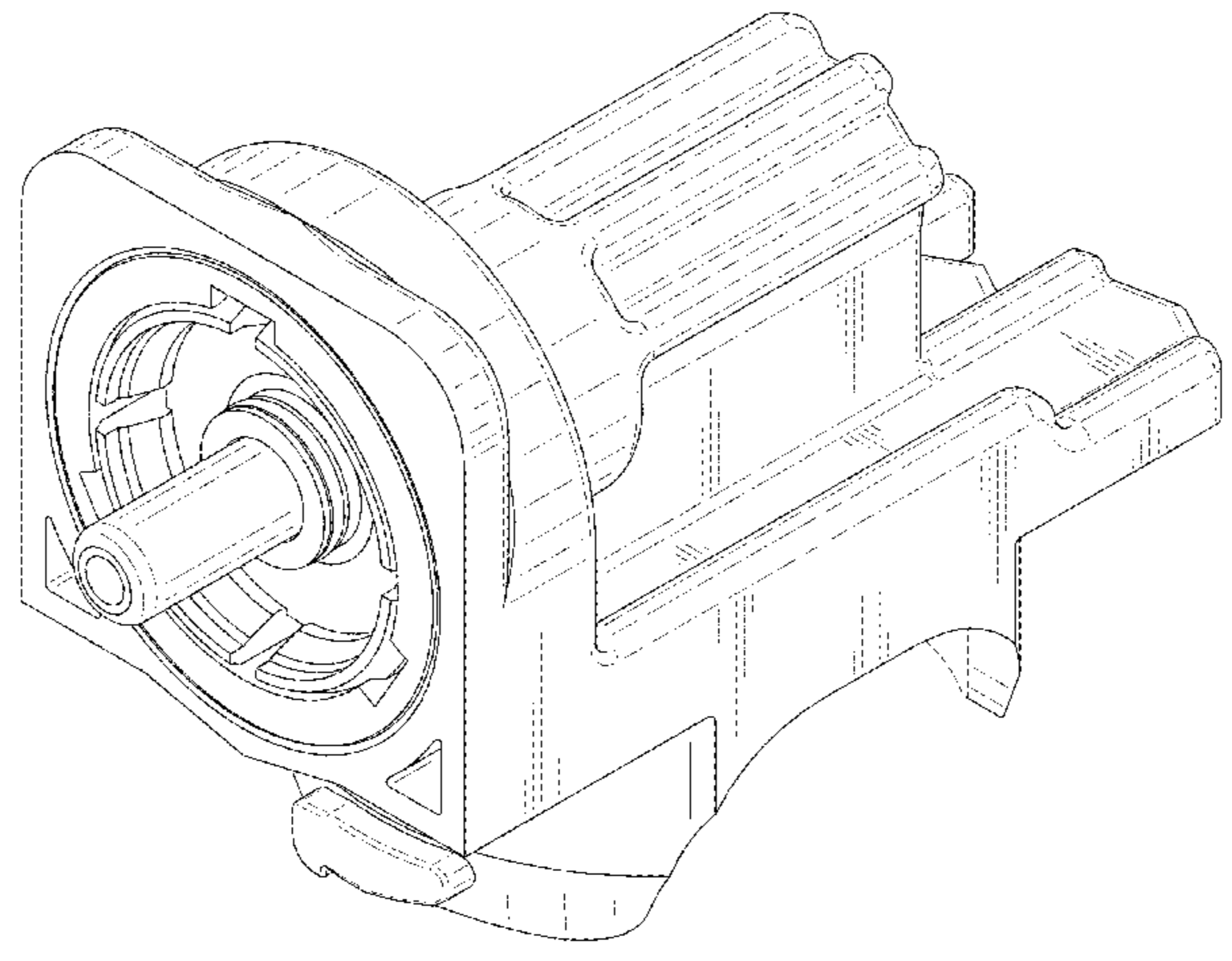
Primary Examiner — Cynthia Ramirez
Assistant Examiner — Gino Colan
(74) *Attorney, Agent, or Firm* — Neal, Gerber & Eisenberg LLP

(56) **References Cited**
U.S. PATENT DOCUMENTS
4,403,722 A 9/1983 Nikolich
4,483,474 A 11/1984 Nikolich
4,522,162 A 6/1985 Nikolich
5,115,944 A 5/1992 Nikolich
D410,659 S * 6/1999 Lannoch D15/148
6,176,412 B1 1/2001 Weinger et al.
6,302,297 B1 10/2001 Richardson et al.
D452,554 S * 12/2001 McKee D23/233
D457,811 S * 5/2002 Vanstaan D23/233
6,796,478 B2 9/2004 Shkolnikov et al.

(57) **CLAIM**
The ornamental design for a fuel cell metering valve, as shown and described.

DESCRIPTION
FIG. 1 is a top front perspective view of a fuel cell metering valve showing our new design.
FIG. 2 is a front elevation view thereof;
FIG. 3 is a rear elevation view thereof;
FIG. 4 is a left elevation view thereof;
FIG. 5 is a right elevation view thereof;
FIG. 6 is a top plan view thereof; and,
FIG. 7 is a bottom plan view thereof.
The broken lines shown in the Figures are included for the purpose of illustrating portions of the fuel cell metering valve and form no part of the claimed design.

1 Claim, 7 Drawing Sheets



(56)

References Cited

U.S. PATENT DOCUMENTS

7,571,841 B2 8/2009 Gibson et al.
7,591,249 B2 9/2009 Wagdy et al.
7,654,429 B2 2/2010 Shea et al.
7,661,568 B2 2/2010 Vanstaan et al.
7,757,920 B2 7/2010 Shea et al.
D633,922 S * 3/2011 Shea D15/5
D645,053 S 9/2011 Shea et al.
8,302,831 B2 11/2012 Taylor et al.
D681,677 S * 5/2013 Shea D15/5
8,939,339 B2 1/2015 Vanstaan et al.
2008/0000451 A1* 1/2008 Shea B25C 1/08
123/46 SC
2014/0175143 A1 6/2014 Vanstaan et al.

OTHER PUBLICATIONS

Paslode Quicklode Fuel Cartridge Image, http://static.grainger.com/rp/s/is/image/Grainger/31EE19_AS01?hei=800&wid=935, Jan. 19, 2016, (1 page).

Yagid, Rob, "Cordless finish nailer", HowItWorks, The Taunton Press, Inc. Jun./Jul. 2011, (2 pages).

ECKO MultiCell, ECKO Fastening Systems, Available prior to May 27, 2016, (4 pages).

ECKO FuelCell Cordless Fastening System Images, Available prior to May 27, 2016 (3 pages).

* cited by examiner

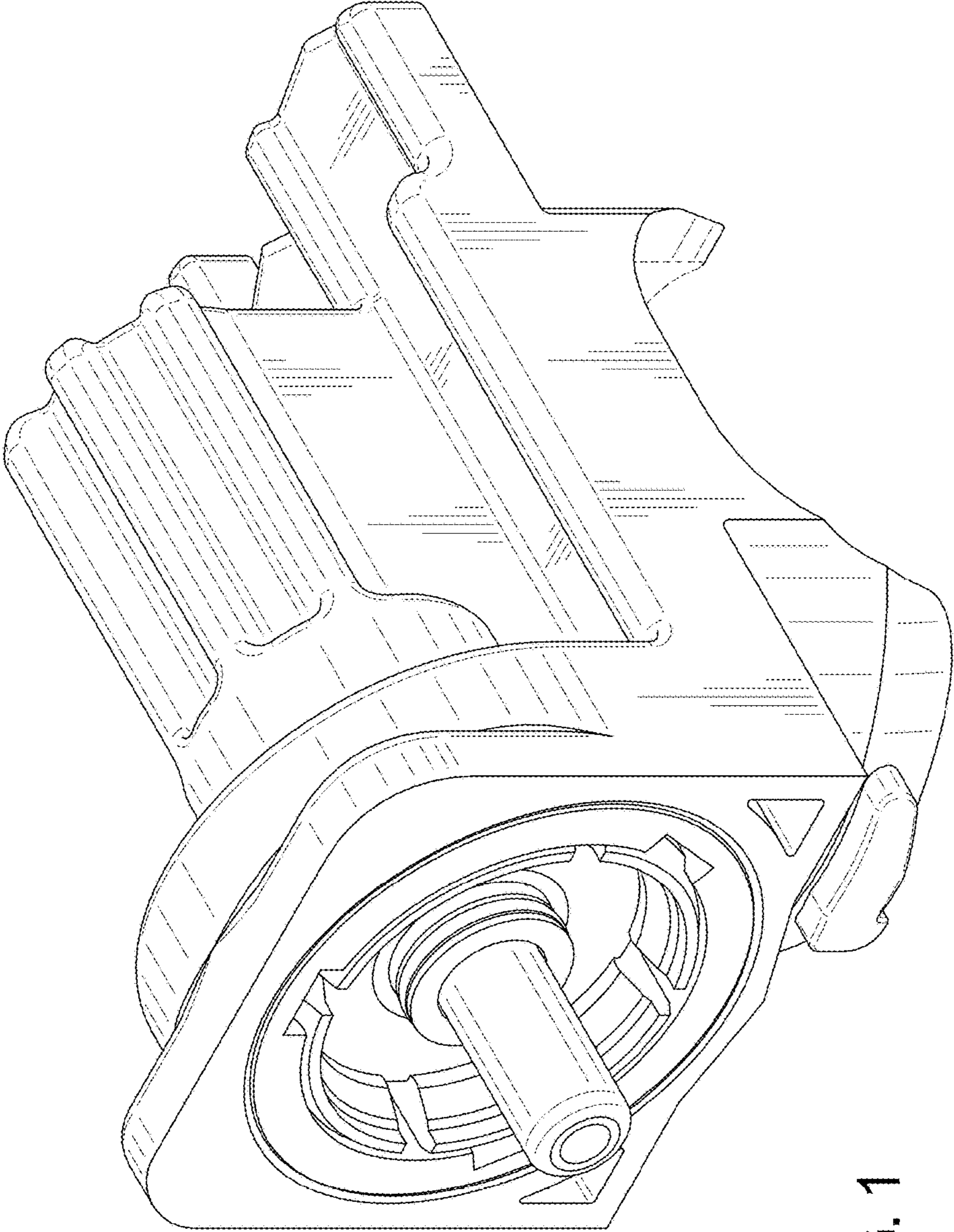


FIG. 1

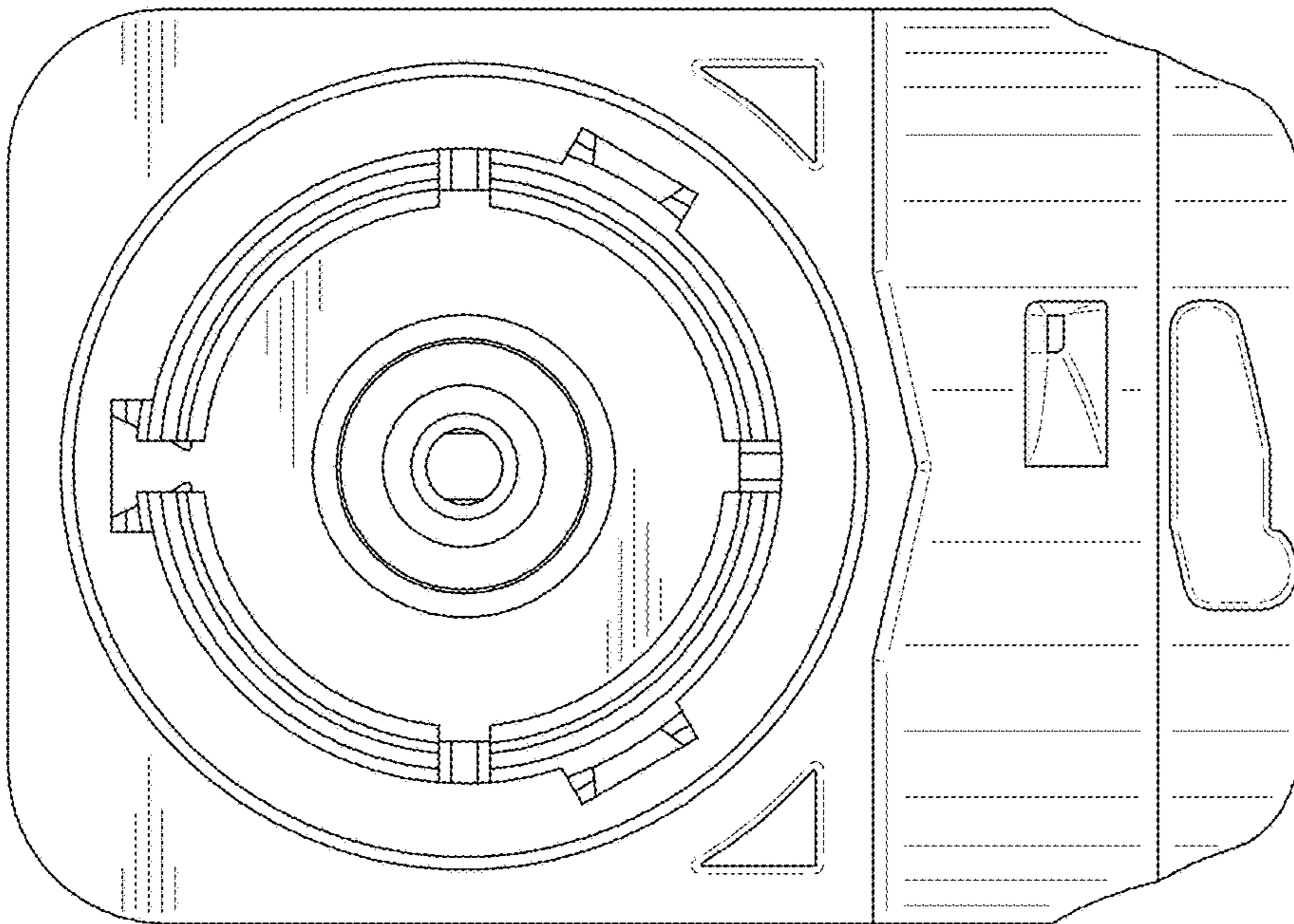


FIG. 2

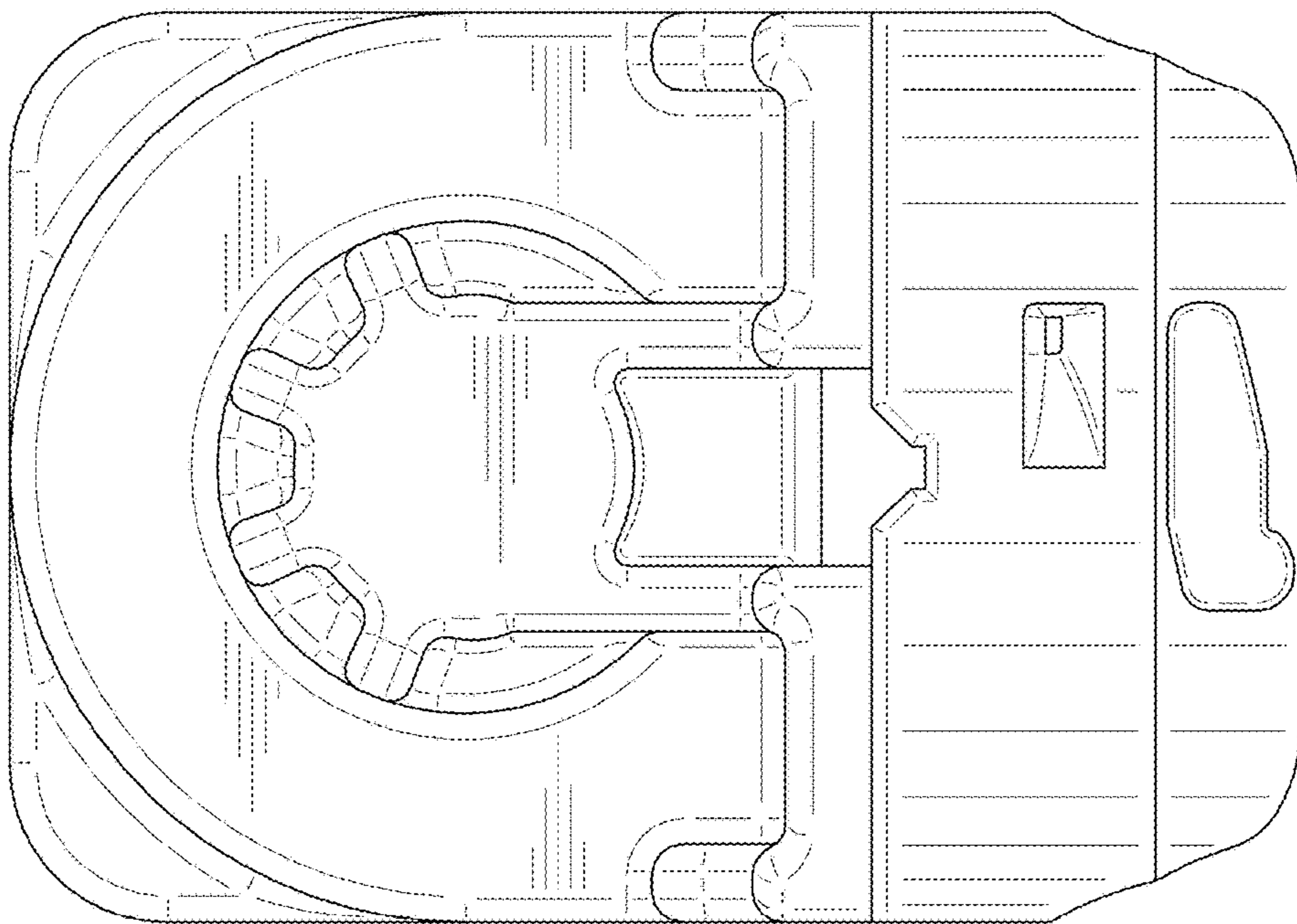


FIG. 3

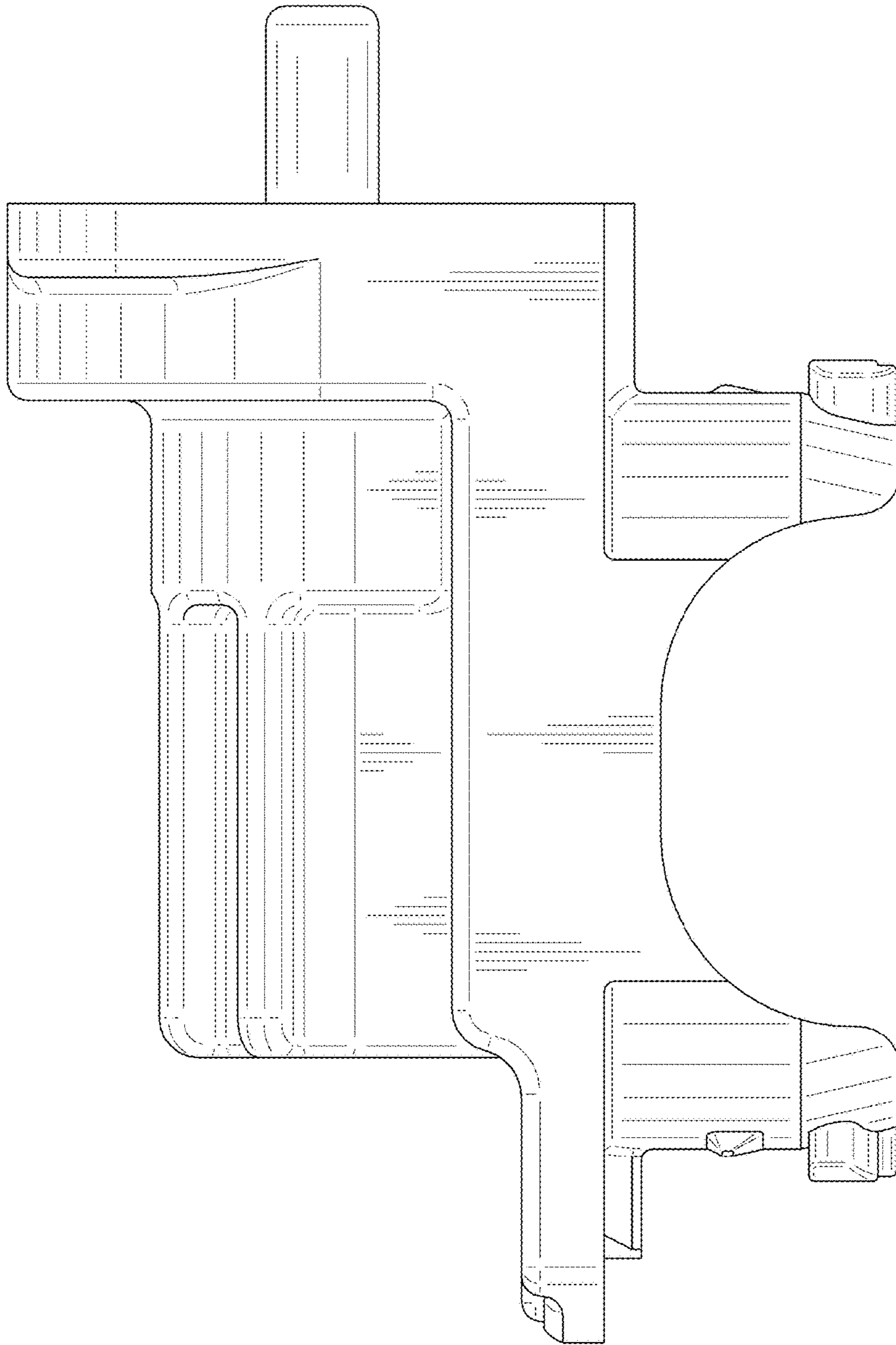


FIG. 4

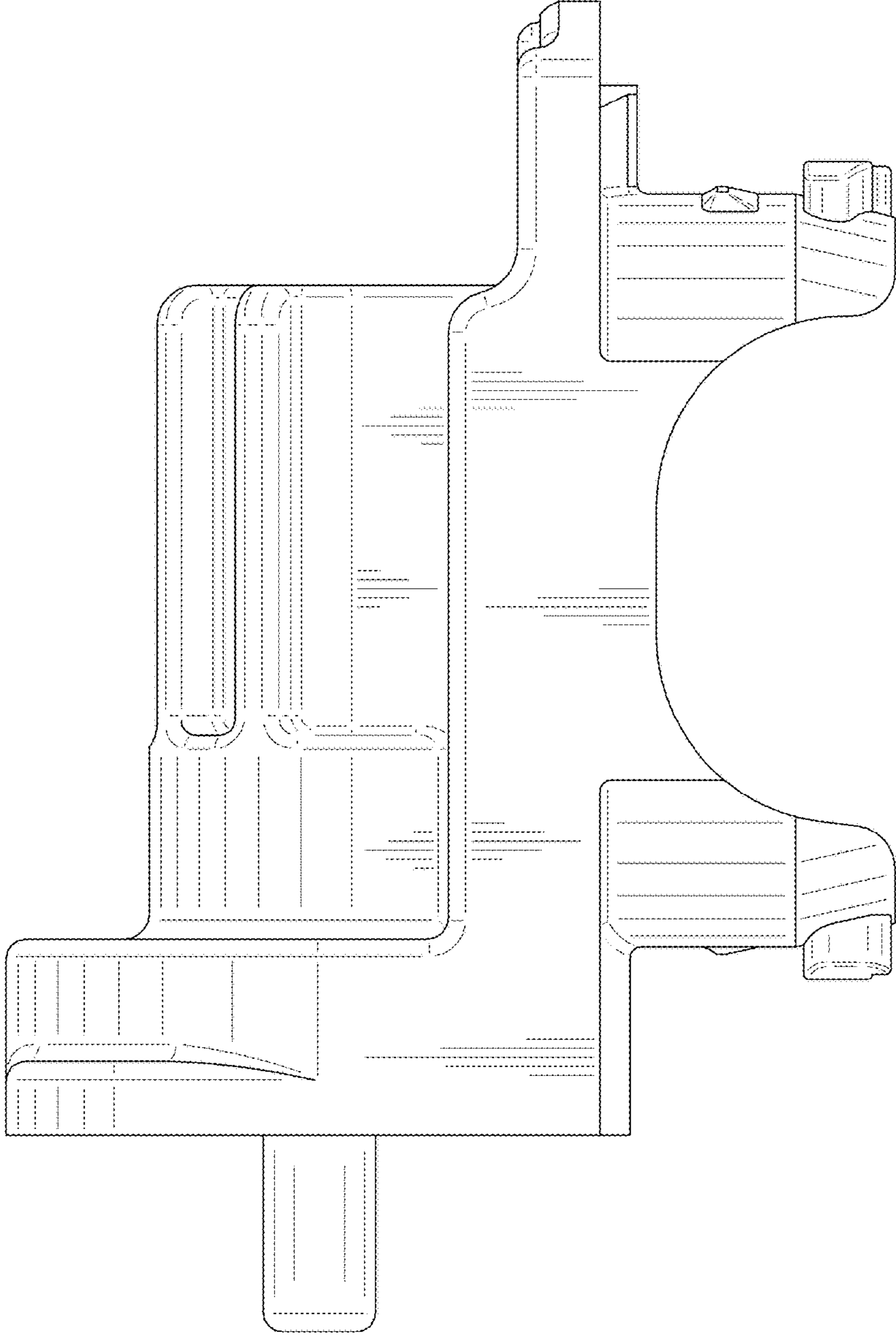


FIG. 5

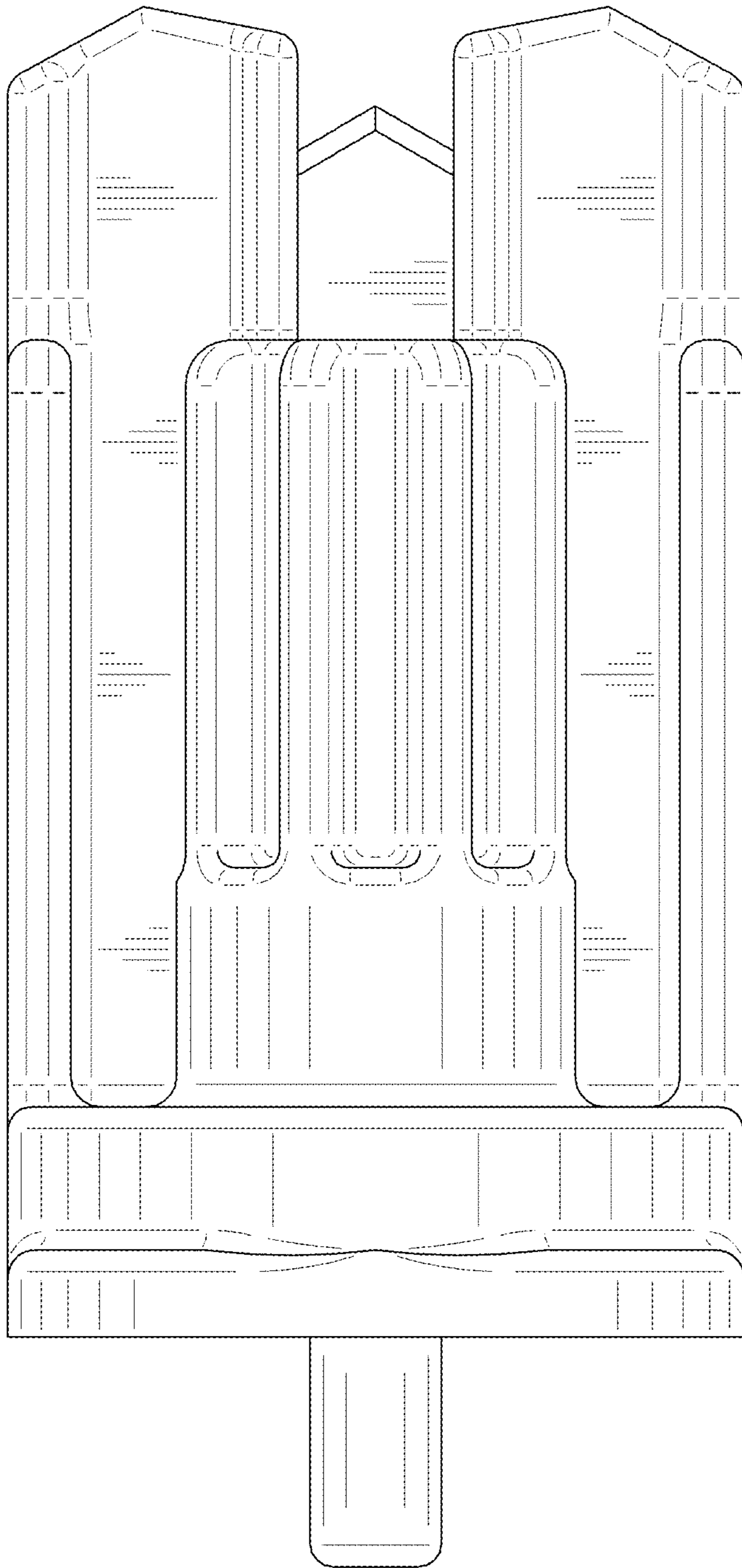


FIG. 6

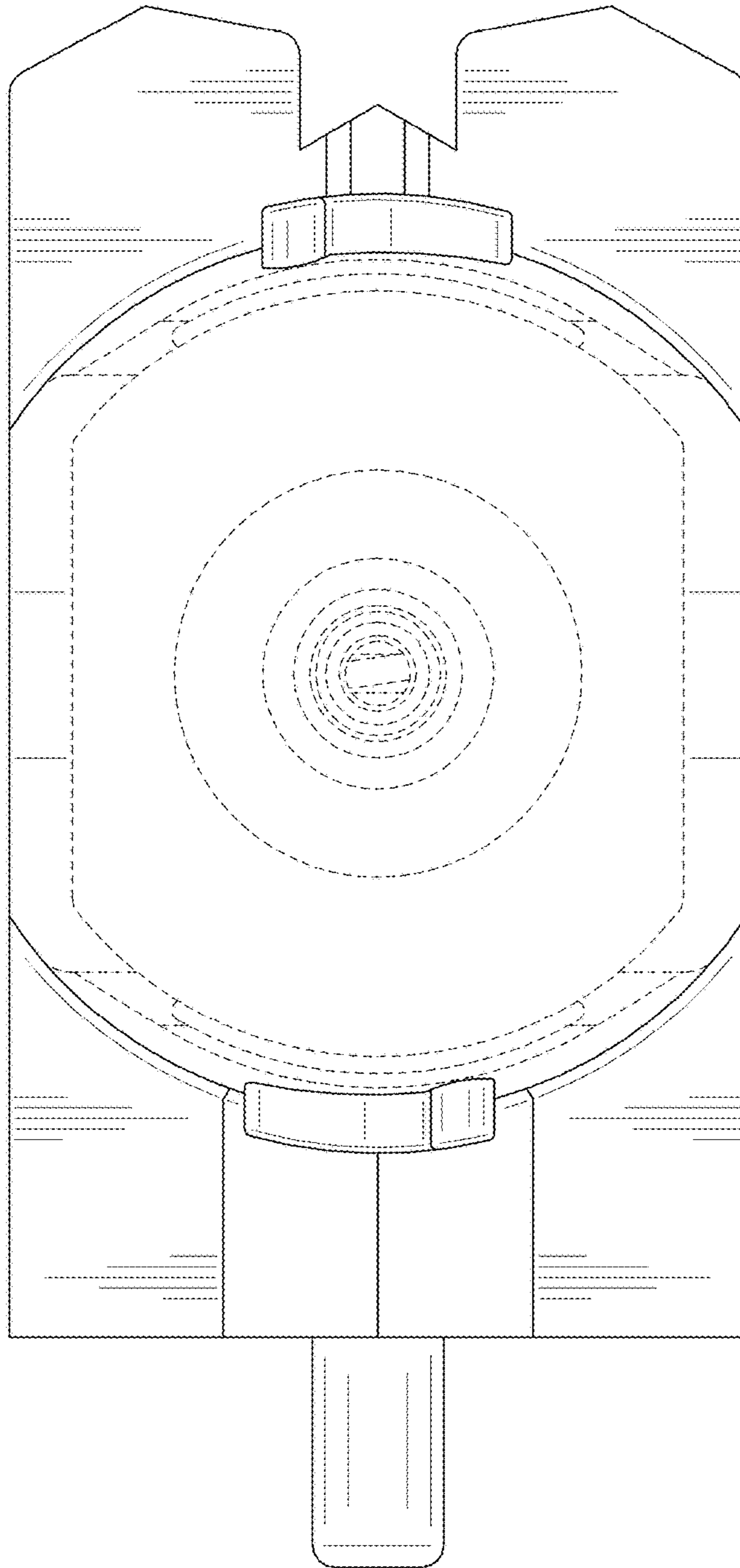


FIG. 7