



US00D828397S

(12) **United States Design Patent** (10) **Patent No.:** **US D828,397 S**
Alsop et al. (45) **Date of Patent:** **** Sep. 11, 2018**

(54) **DIRECT FIXATION FASTENER**

(56) **References Cited**

(71) Applicants: **Robert L. Alsop**, Rossville, GA (US);
Arka Prabha Roy, Pittsburgh, PA
(US); **Michael Patrick O'Connell**,
Atlanta, GA (US)

U.S. PATENT DOCUMENTS

9,657,445	B2 *	5/2017	Awil Abalo	E01B 9/02
2011/0068185	A1 *	3/2011	Bosterling	E01B 9/38 238/283
2016/0002864	A1 *	1/2016	Awil Abalo	E01B 9/46 238/297

(72) Inventors: **Robert L. Alsop**, Rossville, GA (US);
Arka Prabha Roy, Pittsburgh, PA
(US); **Michael Patrick O'Connell**,
Atlanta, GA (US)

* cited by examiner

Primary Examiner — T Chase Nelson

Assistant Examiner — Ania Aman

(73) Assignee: **L.B. Foster Company**, Pittsburgh, PA
(US)

(74) *Attorney, Agent, or Firm* — Paul D. Bangor, Jr.,
Esq.; Clark Hill PLC

(**) Term: **15 Years**

(57) **CLAIM**

The ornamental design for a direct fixation fastener, as shown and described.

(21) Appl. No.: **29/570,862**

DESCRIPTION

(22) Filed: **Jul. 12, 2016**

(51) **LOC (11) Cl.** **15-01**

(52) **U.S. Cl.**
USPC **D15/5**

(58) **Field of Classification Search**
USPC D12/36-52; D8/382, 383, 384;
D11/200, 220

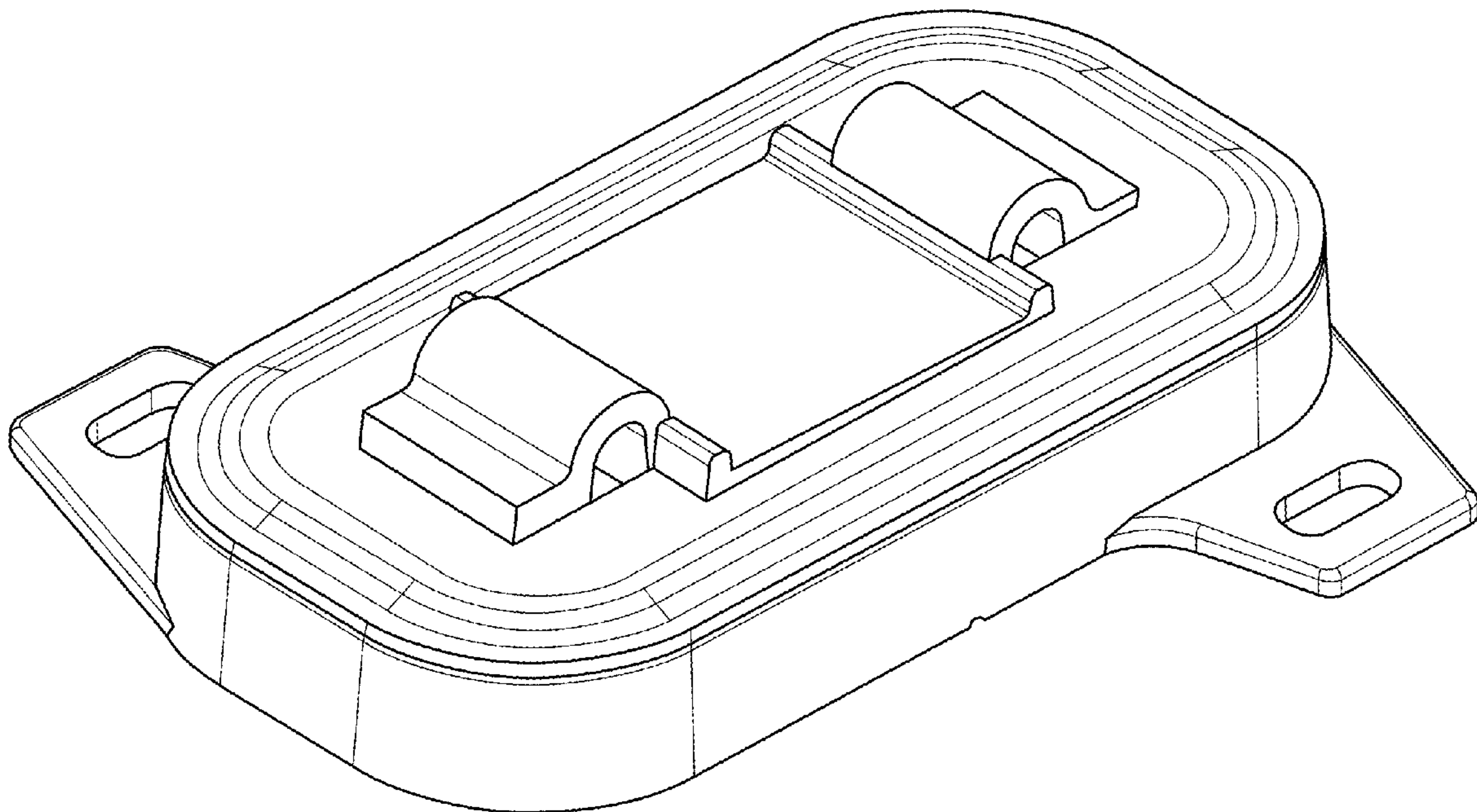
CPC E01B 9/44; E01B 9/40; E01B 9/42; E01B
3/16; E01B 9/486; E01B 9/483; E01B
9/34; E01B 9/02; E01B 9/46; B21J 5/02

See application file for complete search history.

FIG. 1 is a top front perspective view of the direct fixation fastener of the present design;
FIG. 2 is a top plan view thereof;
FIG. 3 is a bottom plan view thereof;
FIG. 4 is a front elevational view thereof;
FIG. 5 is a right elevational view thereof;
FIG. 6 is a rear elevational view thereof; and,
FIG. 7 is a left elevational view thereof.

The broken lines shown in the drawings are included for the purpose of illustrating portions of the article that form no part of the claimed design.

1 Claim, 7 Drawing Sheets



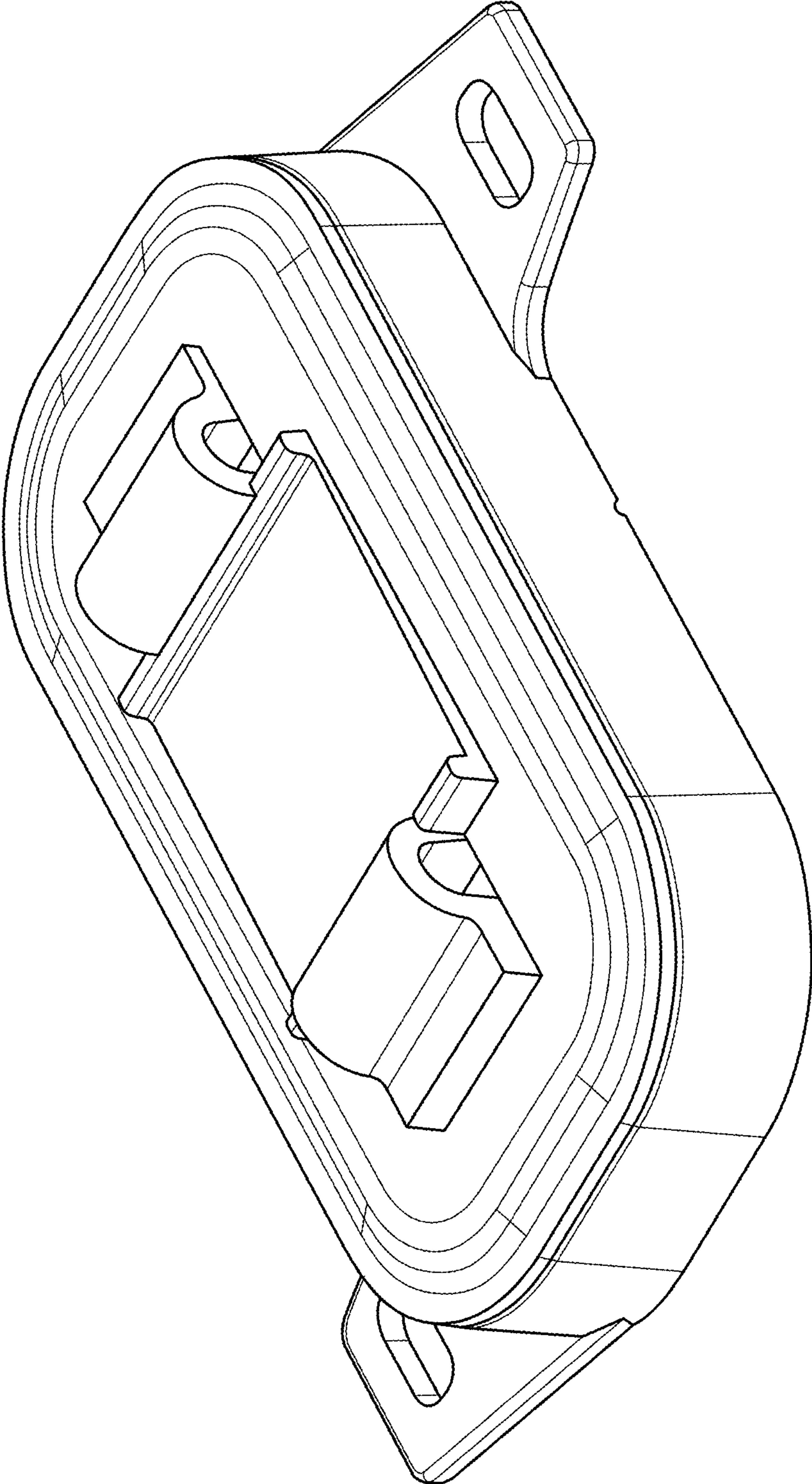


FIG. 1

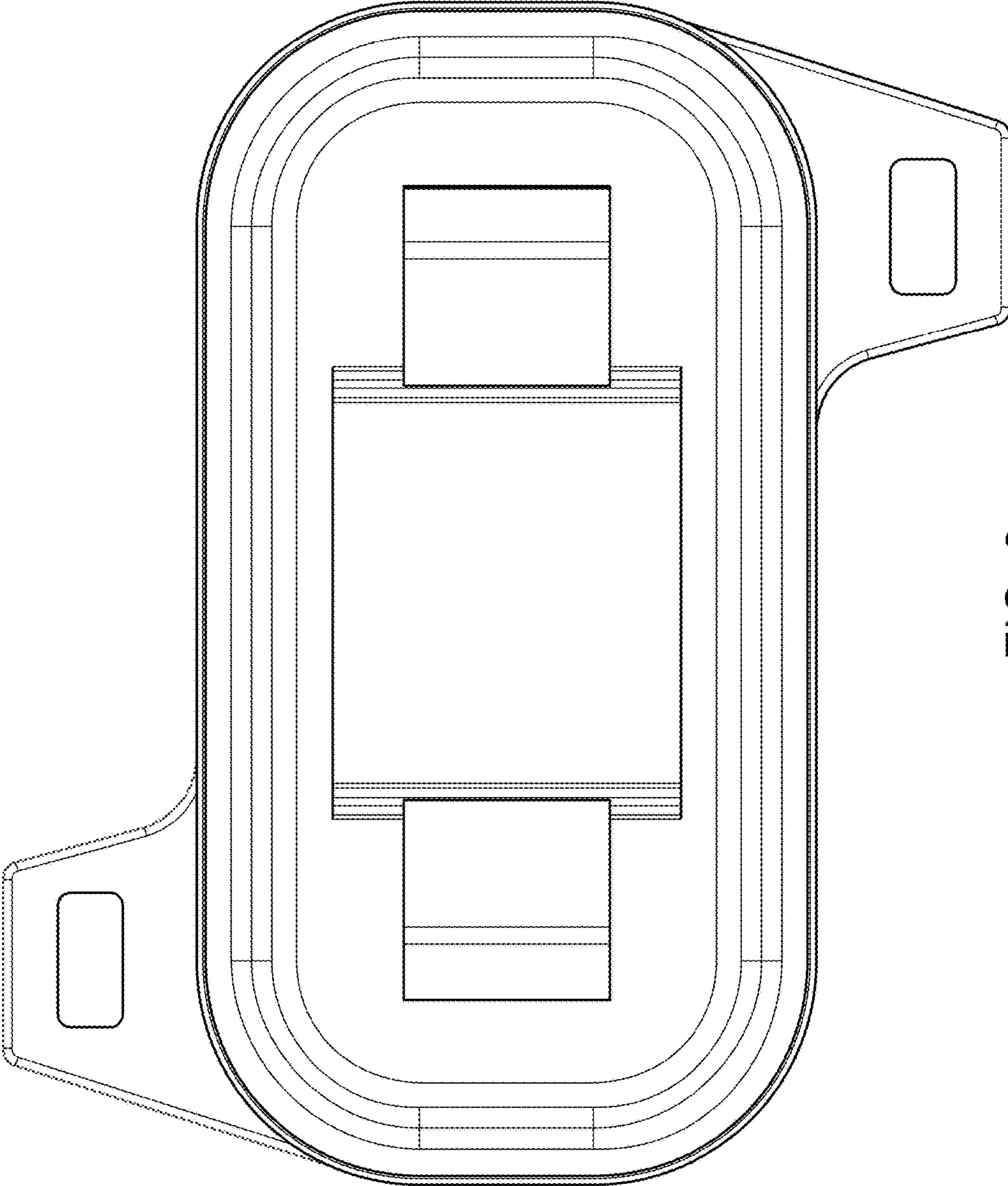


FIG. 2

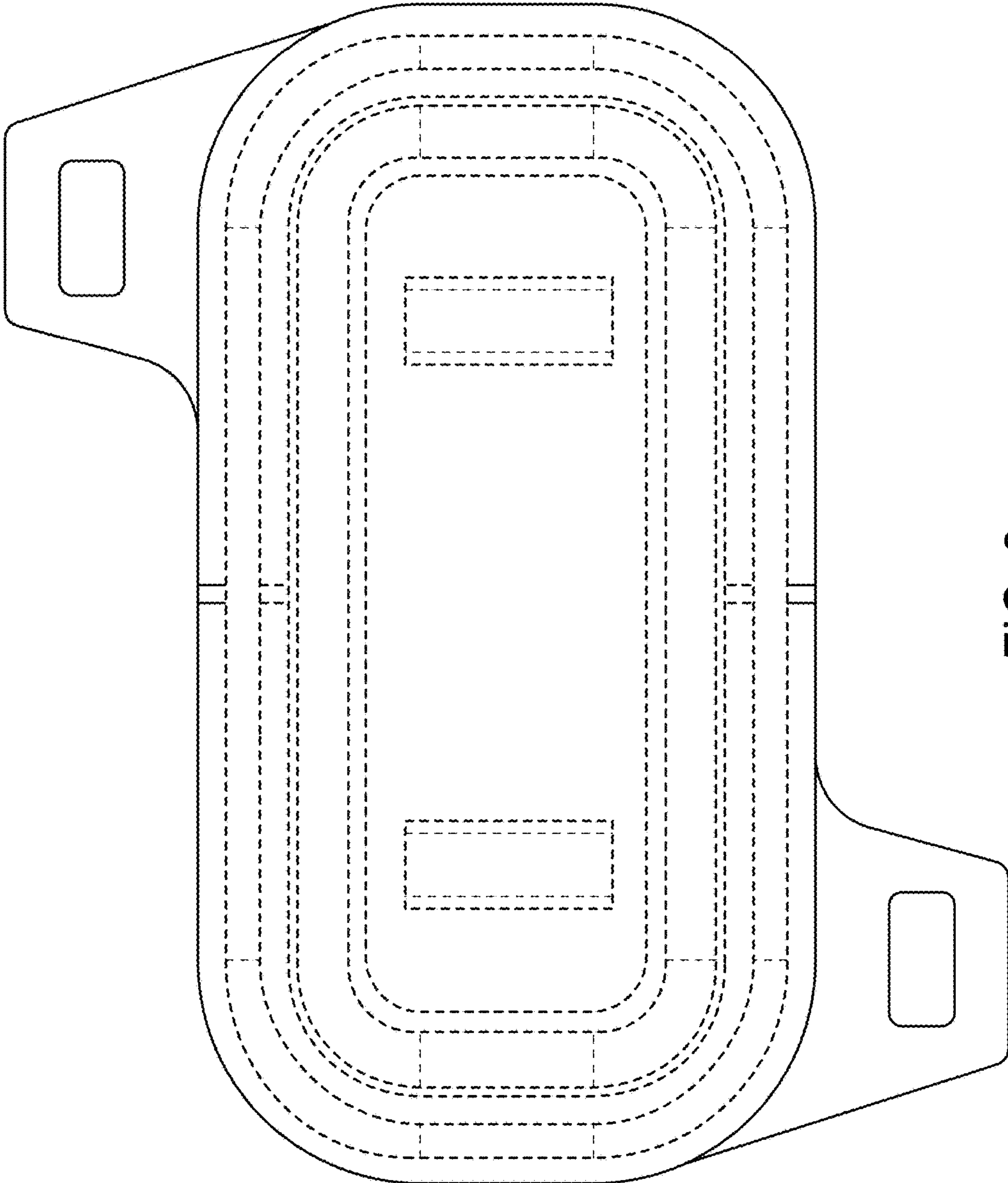


FIG. 3

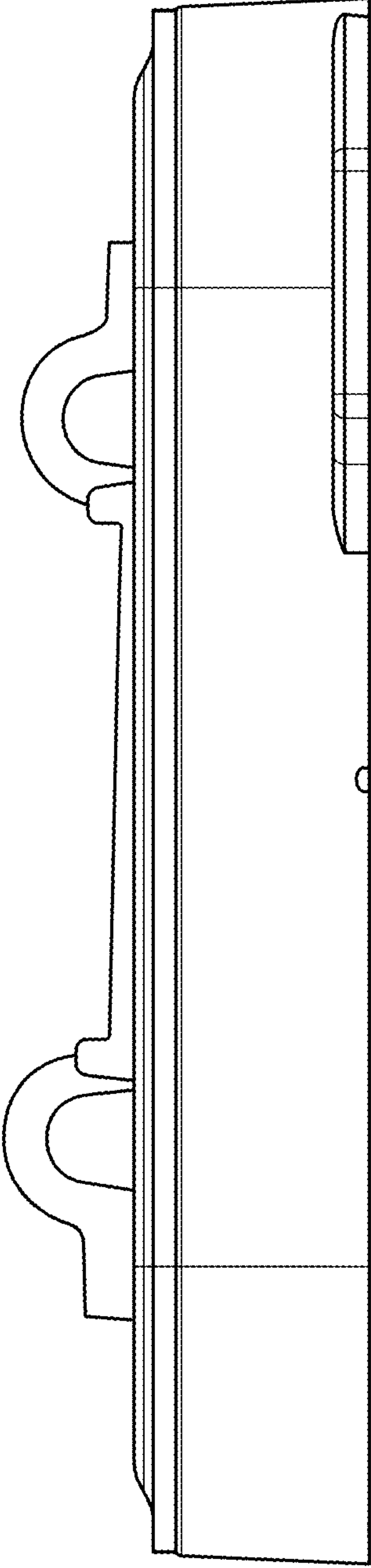


FIG. 4

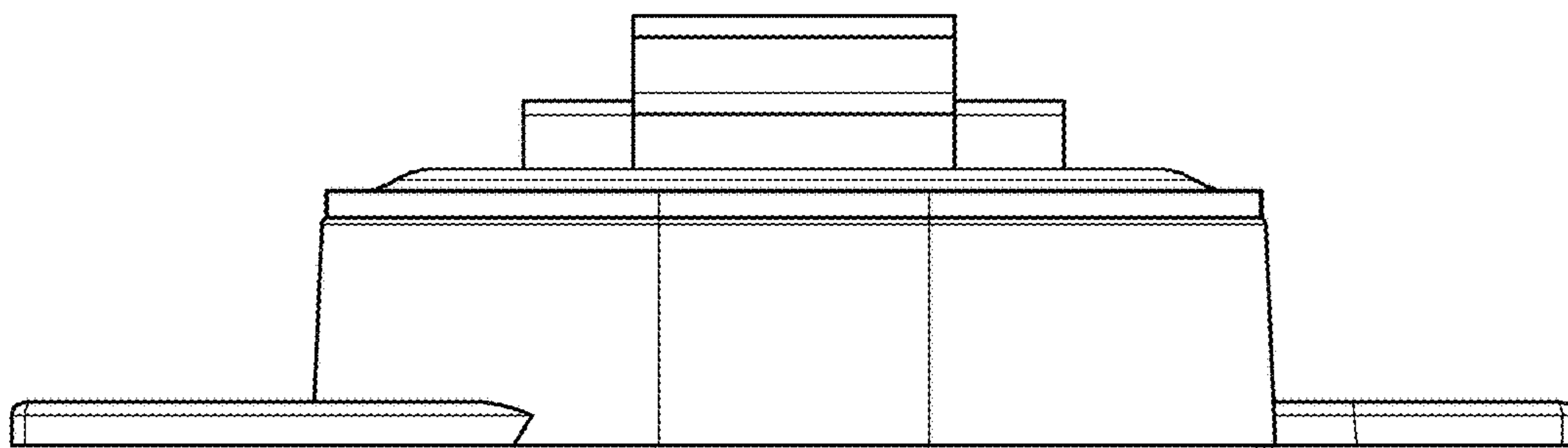


FIG. 5

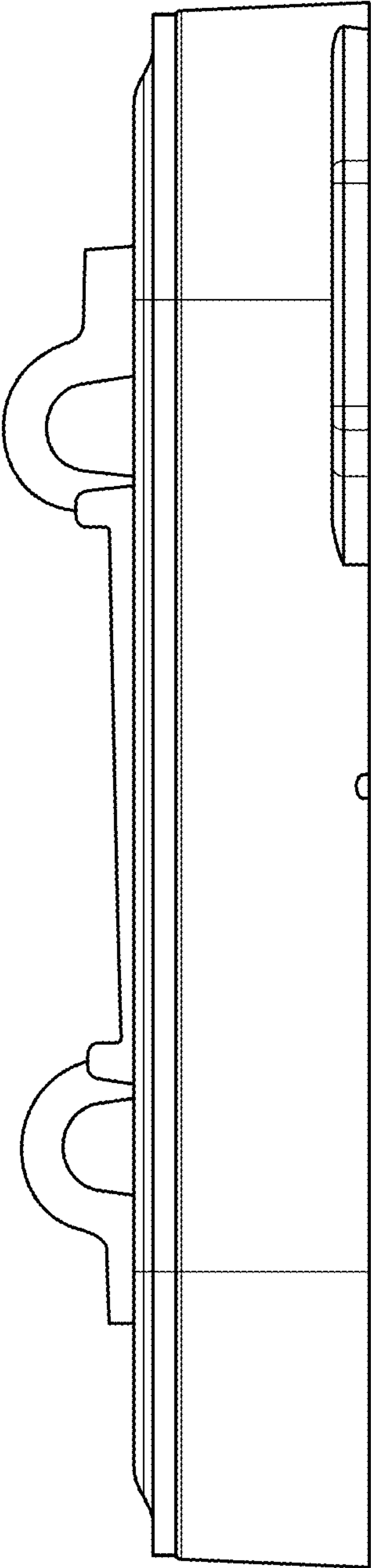


FIG. 6

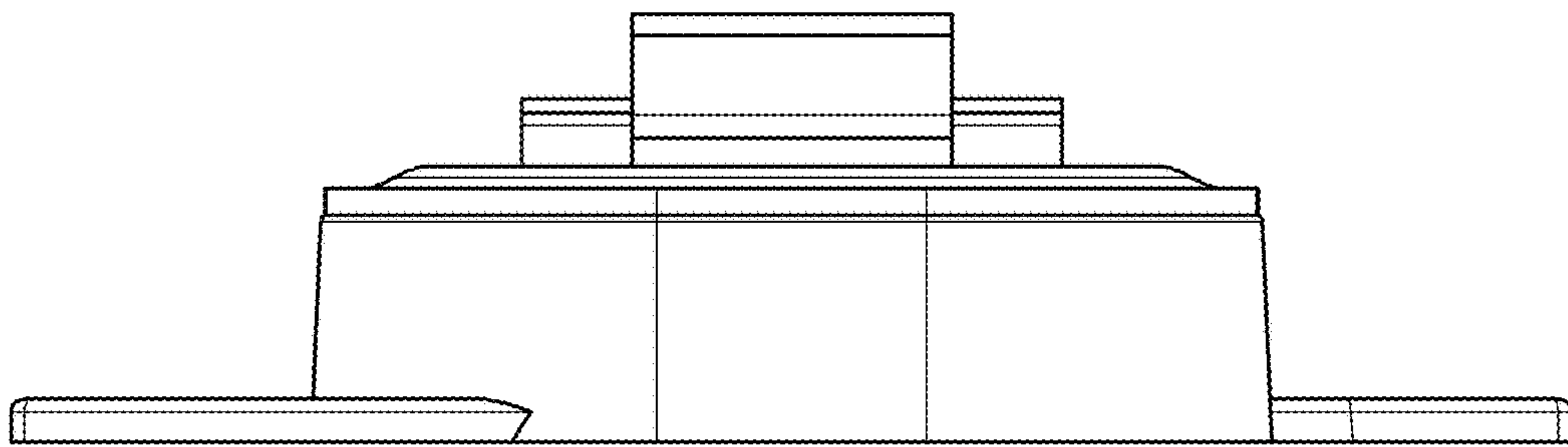


FIG. 7