



US00D828396S

(12) **United States Design Patent**  
**Choi et al.**

(10) **Patent No.:** **US D828,396 S**

(45) **Date of Patent:** **\*\* Sep. 11, 2018**

(54) **AV PLAYER**

(71) Applicant: **Samsung Electronics Co., Ltd.**,  
Suwon-si (KR)

(72) Inventors: **Gyoo-sang Choi**, Suwon-si (KR);  
**Junpyo Kim**, Seoul (KR)

(73) Assignee: **Samsung Electronics Co., Ltd.**,  
Suwon-si (KR)

(\*\*) Term: **15 Years**

(21) Appl. No.: **29/607,508**

(22) Filed: **Jun. 14, 2017**

(30) **Foreign Application Priority Data**

Dec. 15, 2016 (KR) ..... 30-2016-0061202

(51) **LOC (11) Cl.** ..... **14-01**

(52) **U.S. Cl.**  
USPC ..... **D14/502**; D14/500

(58) **Field of Classification Search**  
USPC ..... D14/363–368, 125, 496, 498–511,  
D14/168–171, 188–198, 257, 260–260.1,  
455/90.1–90.3, 344–355; 720/600–601,  
720/612, 619, 655; 174/50  
CPC ..... H05K 5/04  
See application file for complete search history.

(56) **References Cited**

**U.S. PATENT DOCUMENTS**

D534,182 S \* 12/2006 Leija ..... D14/496  
D563,921 S \* 3/2008 Suzuki ..... D14/502  
D578,975 S \* 10/2008 Mochizuki ..... D14/502  
D595,735 S \* 7/2009 Green ..... D14/496

D648,349 S \* 11/2011 Son ..... D14/502  
D656,957 S \* 4/2012 Chung ..... D14/500  
D687,069 S \* 7/2013 Takahashi ..... D14/500  
D703,697 S \* 4/2014 Onoue ..... D14/498  
D705,267 S \* 5/2014 Li ..... D14/502  
D727,968 S \* 4/2015 Onoue ..... D14/500  
D752,108 S \* 3/2016 Won ..... D14/500

**FOREIGN PATENT DOCUMENTS**

CN 201130324327 4/2012  
JP D1256794 11/2005  
JP D1277605 7/2006

\* cited by examiner

*Primary Examiner* — Sandra L Morris

(74) *Attorney, Agent, or Firm* — NSIP Law

(57) **CLAIM**

We claim the ornamental design for an AV player, as shown and described.

**DESCRIPTION**

FIG. 1 is a front perspective view of an AV player showing our new design;

FIG. 2 is a front elevational view thereof;

FIG. 3 is a rear elevational view thereof;

FIG. 4 is a left-side elevational view thereof;

FIG. 5 is a right-side elevational view thereof;

FIG. 6 is a top plan view thereof;

FIG. 7 is a bottom plan view thereof; and,

FIG. 8 is a rear perspective view thereof.

The broken lines in the figures depict environmental subject matter and form no part of the claimed design.

The dot-dash broken lines in the figures illustrate a boundary of the claimed design and form no part of the claimed design.

**1 Claim, 6 Drawing Sheets**

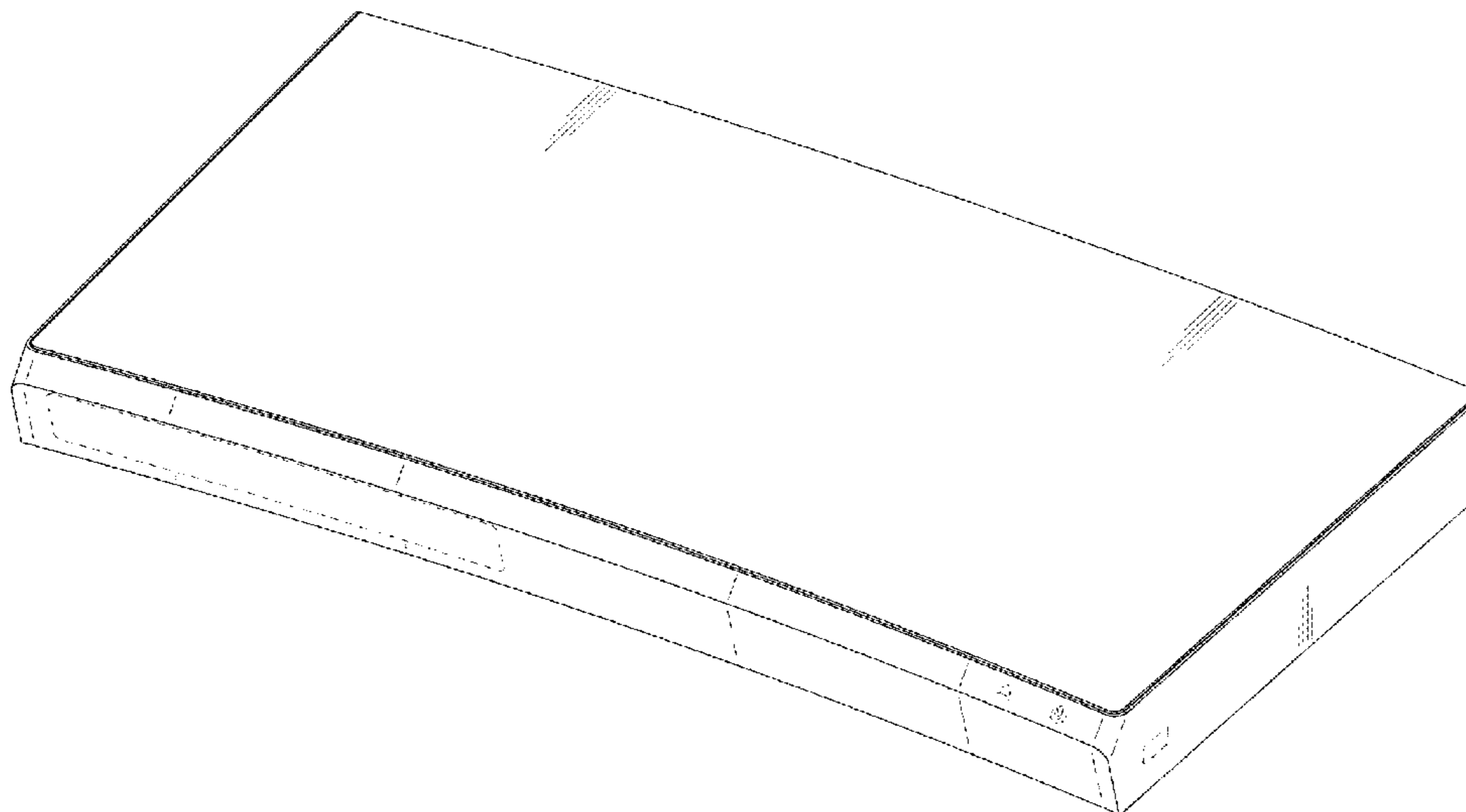


FIG. 1

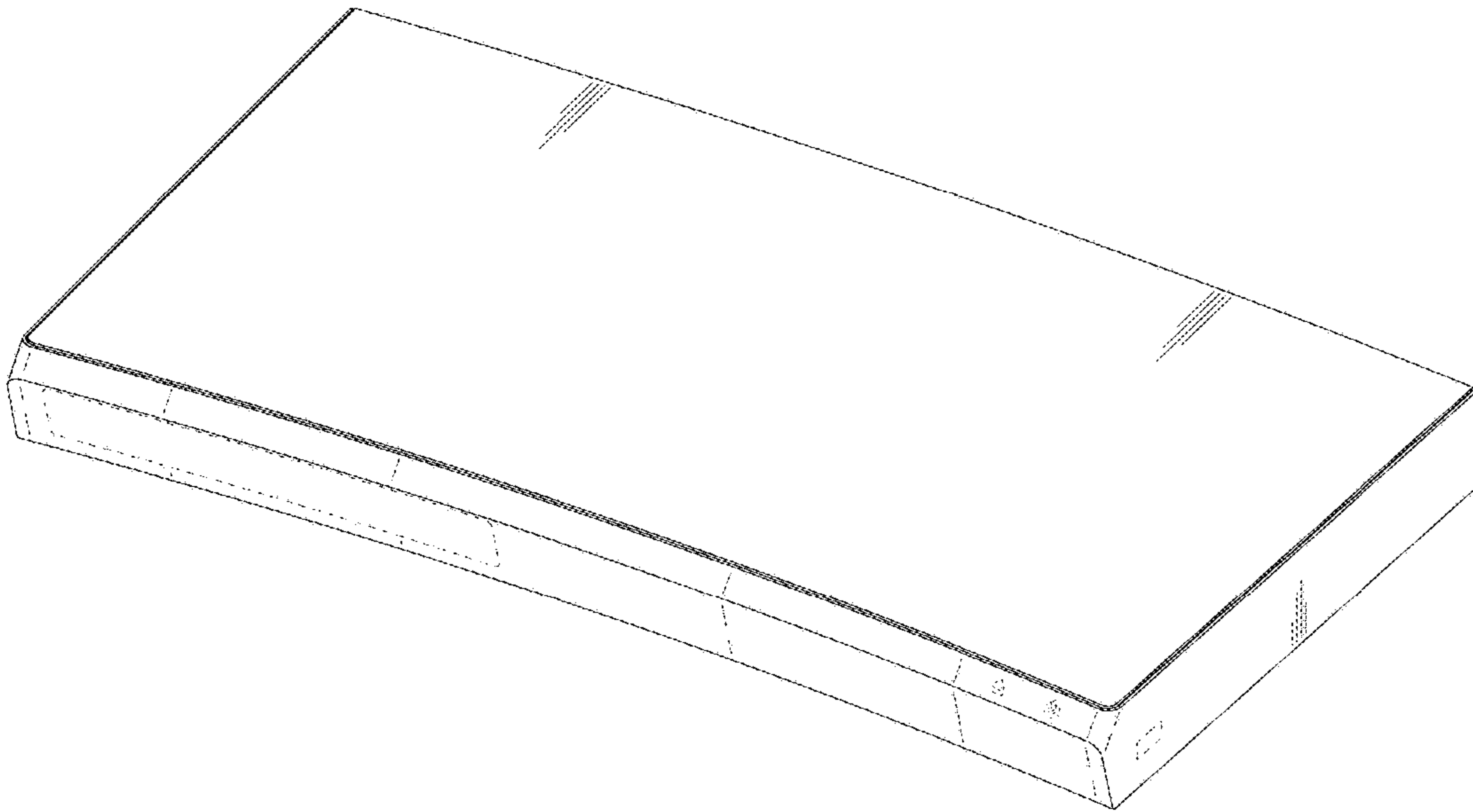


FIG. 2

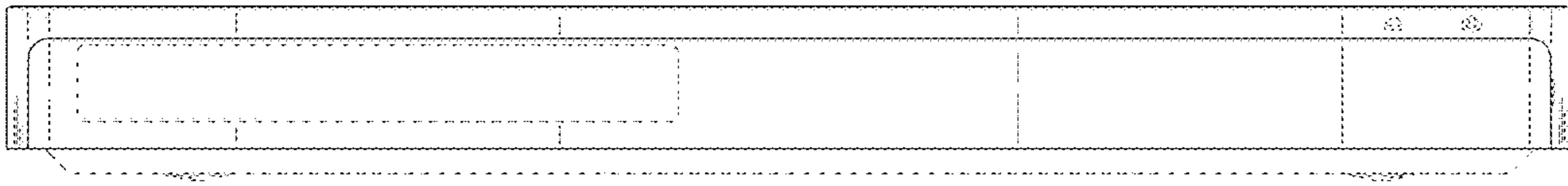


FIG. 3

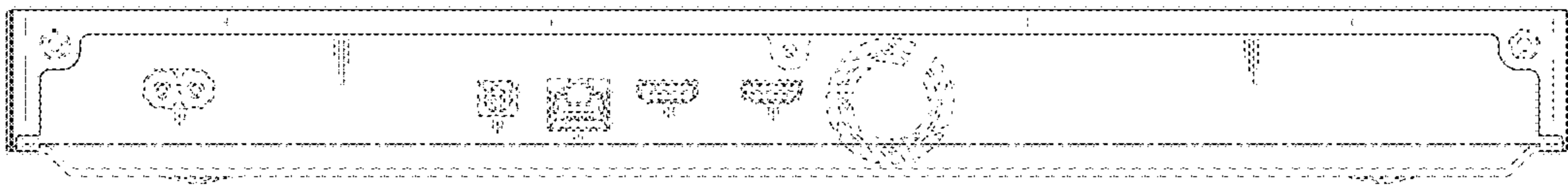


FIG. 4

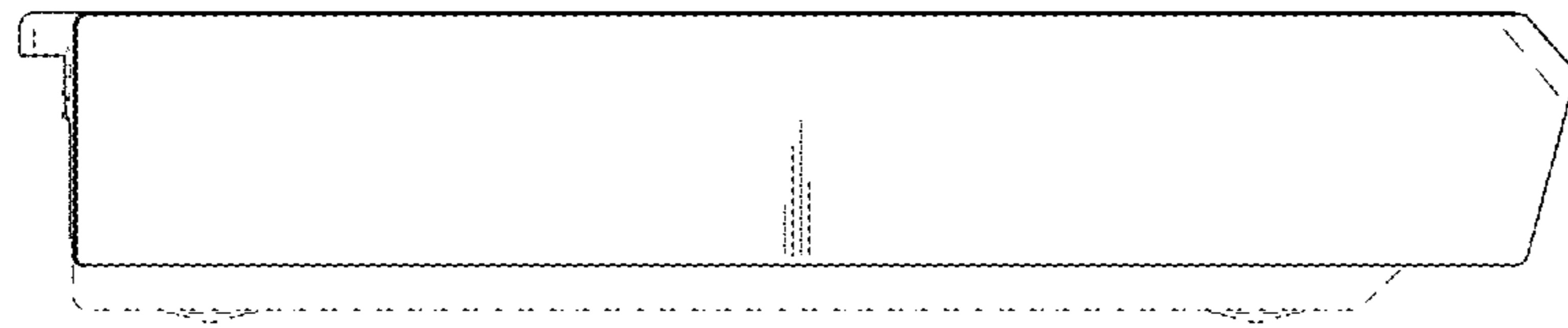


FIG. 5

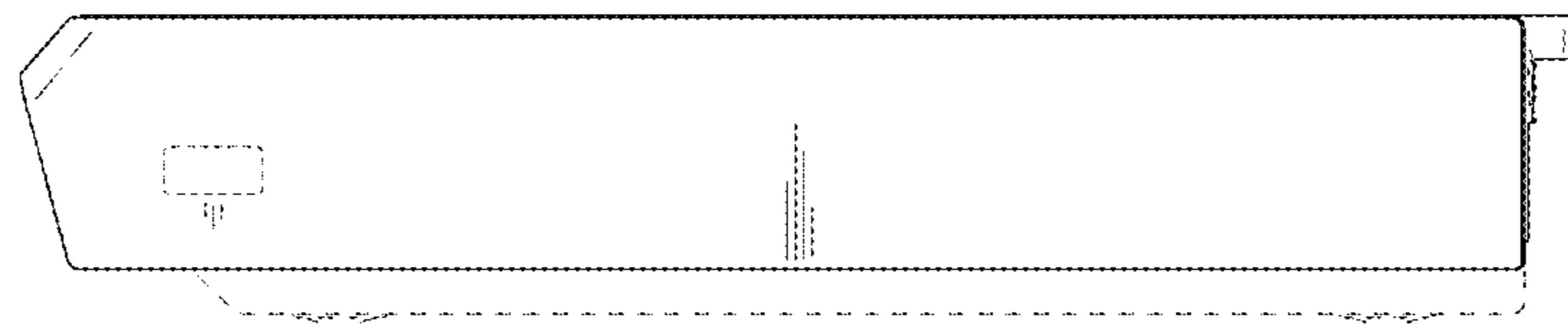


FIG. 6

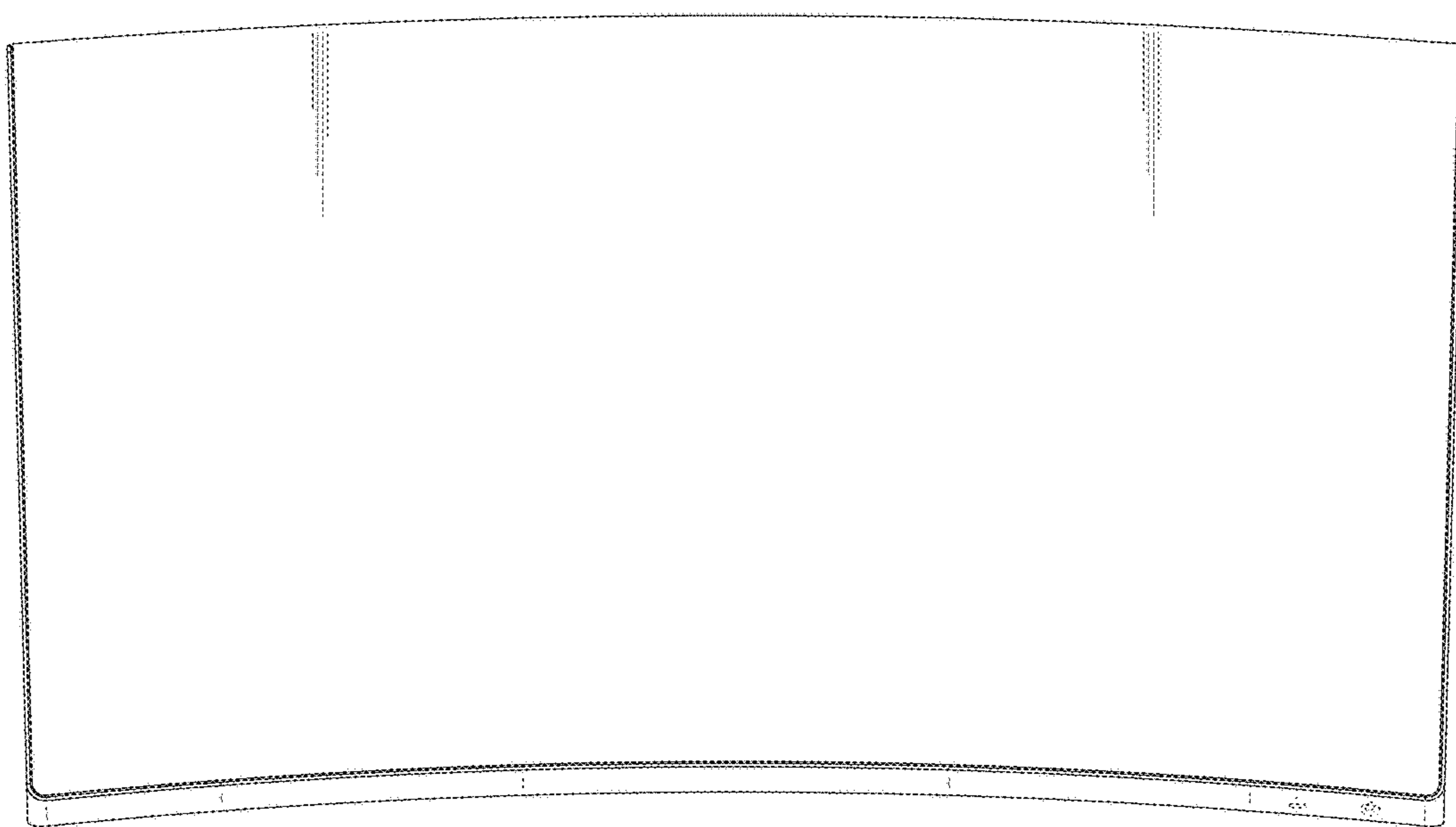


FIG. 7

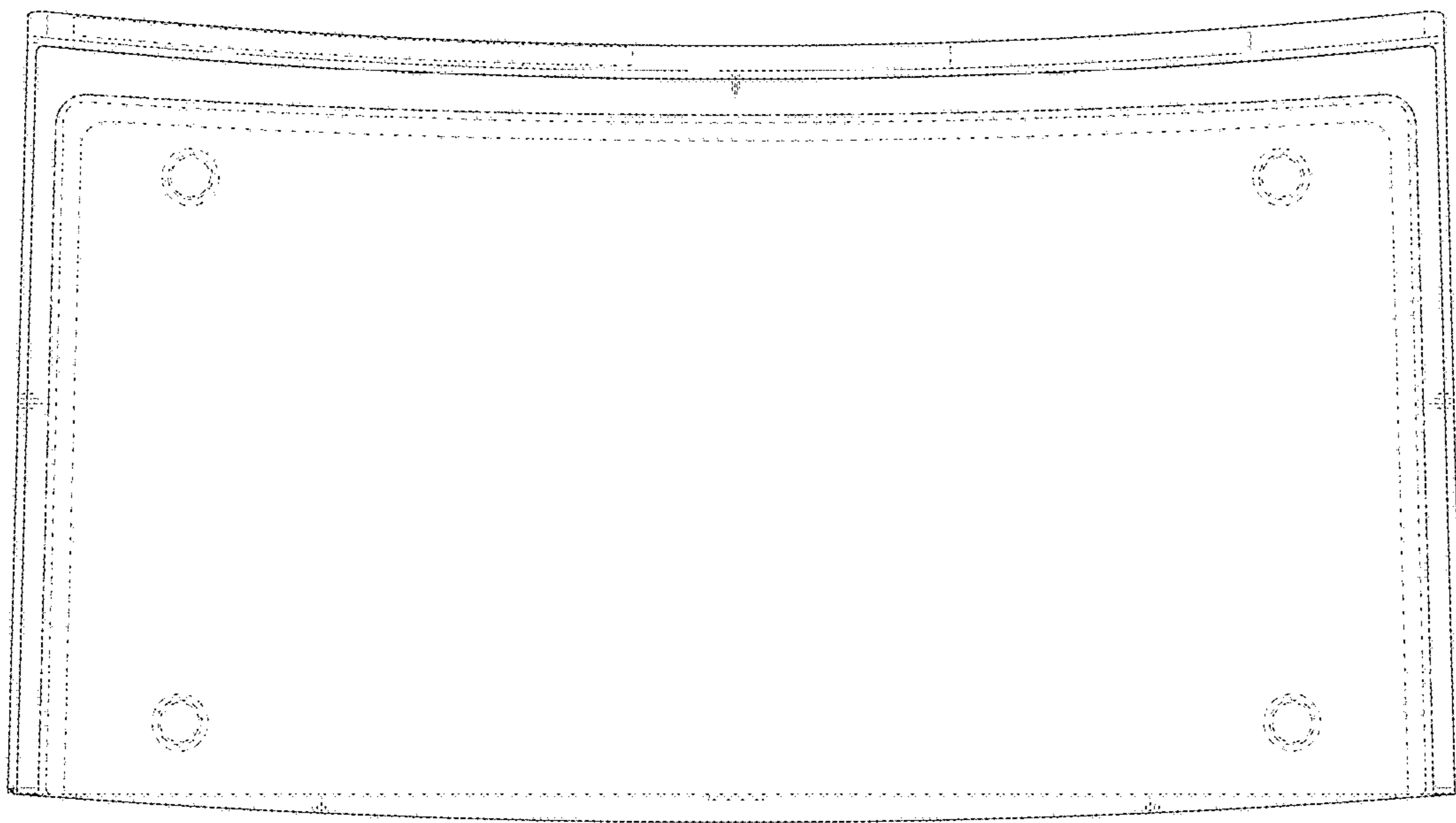


FIG. 8

