



US00D828364S

(12) **United States Design Patent** (10) **Patent No.:** **US D828,364 S**
Felt (45) **Date of Patent:** **** Sep. 11, 2018**

(54) **DISPLAY PANEL FOR A GRAPHICAL USER INTERFACE WITH FLIP NOTIFICATION**

(71) Applicant: **Verizon Patent and Licensing Inc.**,
Basking Ridge, NJ (US)

(72) Inventor: **Michelle Felt**, Randolph, NJ (US)

(73) Assignee: **Verizon Patent and Licensing Inc.**,
Basking Ridge, NJ (US)

(**) Term: **15 Years**

(21) Appl. No.: **29/539,974**

(22) Filed: **Sep. 18, 2015**

Related U.S. Application Data

(63) Continuation-in-part of application No. 29/495,791,
filed on Jul. 3, 2014.

(51) **LOC (11) Cl.** **14-04**

(52) **U.S. Cl.**
USPC **D14/485**

(58) **Field of Classification Search**
USPC D14/485-495
CPC G06F 3/048
See application file for complete search history.

(56) **References Cited**

U.S. PATENT DOCUMENTS

D385,545 S	10/1997	Levin
D396,455 S	7/1998	Bier
D397,101 S	8/1998	Bier
5,790,820 A	8/1998	Vayda et al.
5,914,717 A	6/1999	Kleewein et al.
D423,484 S	4/2000	Dangelmaier et al.
D436,599 S	1/2001	Greene
D439,584 S	3/2001	Wang et al.
D440,575 S	4/2001	Wang et al.
D453,167 S	1/2002	Hasegawa et al.
6,549,219 B2	4/2003	Selker

D474,195 S	5/2003	Kates et al.	
D478,912 S *	8/2003	Johnson	D14/485
D494,186 S *	8/2004	Johnson	D14/485
D500,766 S *	1/2005	Hanisch	D14/489
D521,019 S *	5/2006	Ording	D14/489
D523,871 S *	6/2006	Hally	D14/487
D524,321 S *	7/2006	Hally	D14/487
D525,984 S *	8/2006	Hally	D14/487
D528,559 S *	9/2006	Hally	D14/487
D538,296 S *	3/2007	Sadler	D14/485
D540,811 S	4/2007	Sadler et al.	
D544,495 S	6/2007	Evans et al.	
D550,691 S	9/2007	Hally et al.	
D550,696 S *	9/2007	Kortum	D14/491
D564,531 S *	3/2008	Sadler	D14/487
D570,861 S *	6/2008	Sadler	D14/486

(Continued)

OTHER PUBLICATIONS

My Kingdom for Some Structure, Napkin #2—All Things Considered image, <http://transom.org/2013/my-kingdom-for-some-structure/>, by Rob Rosenthal, posted Mar. 27, 2013.*

Primary Examiner — Kevin K Rudzinski

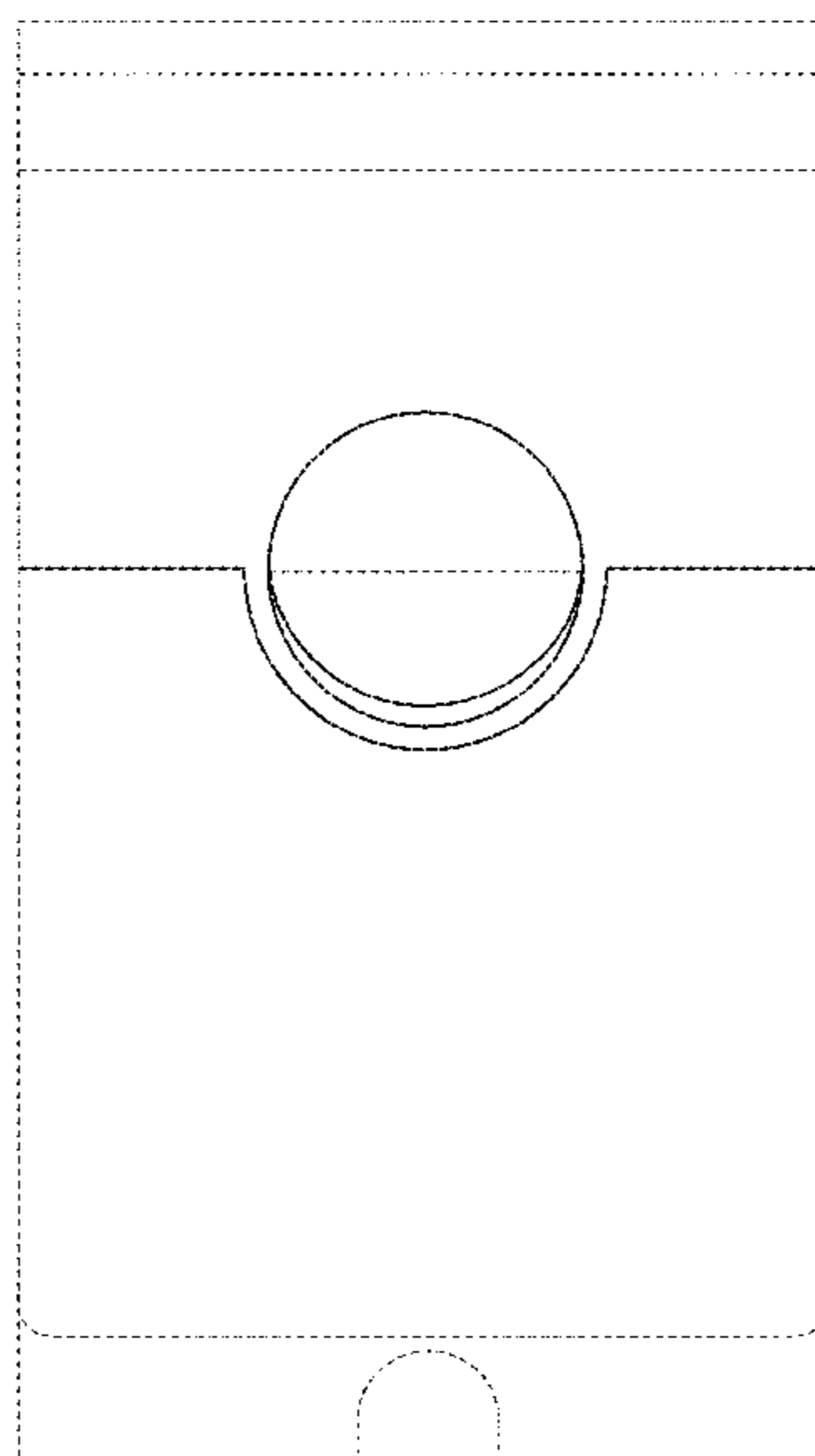
(57) **CLAIM**

The ornamental design for a display panel for a graphical user interface with flip notification, as shown and described.

DESCRIPTION

FIG. 1 is a front view of an exemplary embodiment of our new design;
FIG. 2 is a front view of another exemplary embodiment thereof; and,
FIG. 3 is a front view of another exemplary embodiment thereof.
The broken lines in the drawings illustrate the display screen and portions of the graphical user interface and form no part of the claimed design.

1 Claim, 3 Drawing Sheets



(56)

References Cited

U.S. PATENT DOCUMENTS

- D573,153 S 7/2008 Roever et al.
D576,170 S * 9/2008 Sadler D14/485
D586,359 S 2/2009 Makoski et al.
D588,154 S 3/2009 Bouchard et al.
D595,309 S * 6/2009 Sasaki D14/488
D602,033 S * 10/2009 Vu D14/485
7,665,036 B1 2/2010 Lin et al.
D619,614 S 7/2010 O'Mullan et al.
D626,133 S * 10/2010 Murphy D14/485
D629,814 S * 12/2010 Lew D14/492
D630,649 S * 1/2011 Tokunaga D14/487
D644,243 S 8/2011 Matas
D648,341 S 11/2011 Chen
D650,800 S 12/2011 Impas et al.
D652,051 S 1/2012 Judy et al.
D655,300 S 3/2012 Jones et al.
D665,407 S 8/2012 Bitran et al.
D667,019 S 9/2012 Chaudhri
D670,726 S 11/2012 Bitran et al.
D677,180 S 3/2013 Plitkins et al.
D681,649 S 5/2013 Fletcher et al.
D681,653 S 5/2013 Bitran et al.
D687,045 S 7/2013 Plitkins et al.
D687,063 S 7/2013 Myung et al.
D689,085 S 9/2013 Pasceri et al.
D689,509 S 9/2013 Convay et al.
D689,511 S 9/2013 Convay et al.
D689,874 S * 9/2013 Brinda D14/485
D690,318 S * 9/2013 Kluttz D14/487
D691,171 S 10/2013 Brinda et al.
D691,629 S 10/2013 Matas et al.
D693,837 S * 11/2013 Bouchier D14/486
8,605,094 B1 12/2013 Alfaro et al.
D697,526 S 1/2014 Bruck et al.
D697,937 S * 1/2014 Lee D14/486
D697,940 S 1/2014 Bitran et al.
D699,747 S * 2/2014 Pearson D14/488
D701,231 S 3/2014 Lee
D702,251 S * 4/2014 Kotler D14/487
D704,207 S * 5/2014 Lee D14/486
D705,251 S 5/2014 Pearson et al.
D706,803 S 6/2014 Rogowski et al.
D706,814 S 6/2014 Phelan
D708,199 S * 7/2014 Molaro D14/486
D711,394 S * 8/2014 Hanson D14/485
D714,340 S 9/2014 Mason
D714,810 S 10/2014 Lee et al.
D715,313 S * 10/2014 Hontz, Jr. D14/485
D715,824 S 10/2014 Molaro et al.
D716,316 S 10/2014 Behzadi et al.
D718,320 S * 11/2014 Charles D14/486
D718,321 S * 11/2014 Charles D14/486
D719,180 S 12/2014 Liang
D720,361 S * 12/2014 Mitchell D14/486
D720,366 S * 12/2014 Hiltunen D14/487
8,907,952 B2 * 12/2014 Hautvast A61B 5/055
345/424
D721,089 S 1/2015 Brinda et al.
D722,079 S * 2/2015 Charles D14/488
D722,606 S * 2/2015 Stroupe D14/485
D724,100 S 3/2015 Williams et al.
D724,603 S 3/2015 Williams et al.
D724,618 S * 3/2015 Shin D14/487
D724,619 S * 3/2015 Nguyen D14/488
D726,197 S 4/2015 Kim et al.
D726,216 S 4/2015 Tabata et al.
D726,218 S 4/2015 Marianek et al.
D729,834 S * 5/2015 Rezende D14/486
D730,367 S * 5/2015 Ryan D14/485
D730,377 S * 5/2015 Clare D14/486
D730,378 S * 5/2015 Xiong D14/487
D730,379 S * 5/2015 Xiong D14/487
9,024,954 B2 * 5/2015 Nations G06T 13/20
345/473
D730,917 S 6/2015 Lee et al.
D732,566 S * 6/2015 Mitchell D14/487
D735,733 S 8/2015 Hontz
D736,231 S * 8/2015 Gottschlag D14/486
D736,780 S * 8/2015 Wang D14/485
D736,792 S * 8/2015 Brinda D14/485
D736,810 S * 8/2015 Hisada D14/486
D737,279 S * 8/2015 Taniuchi D14/485
D738,901 S * 9/2015 Amin D14/487
D740,308 S * 10/2015 Kim D14/486
D740,846 S * 10/2015 Mitchell D14/486
D741,341 S 10/2015 Lee et al.
D741,356 S * 10/2015 Park D14/487
D741,890 S 10/2015 Chaudhri et al.
D741,896 S * 10/2015 Park D14/487
D742,408 S 11/2015 Park
D743,416 S * 11/2015 Lim D14/485
D743,440 S * 11/2015 Bachman D14/492
D743,986 S * 11/2015 Pan D14/486
D744,505 S 12/2015 Wilberding et al.
D745,533 S 12/2015 Luo
D747,732 S 1/2016 Scalisi
9,237,318 B2 1/2016 Kasmir et al.
D749,107 S 2/2016 Amiya
D750,102 S 2/2016 Bates et al.
D750,125 S 2/2016 Yang et al.
D752,060 S 3/2016 Kim et al.
D753,131 S * 4/2016 Cuthbert D14/485
D753,132 S 4/2016 Cuthbert et al.
D753,152 S * 4/2016 Moon D14/485
D753,702 S * 4/2016 Zhou D14/488
D753,708 S 4/2016 Yang et al.
D753,712 S * 4/2016 Lee G06F 3/04817
D14/489
D754,175 S * 4/2016 Kim D14/486
D754,184 S 4/2016 Ng et al.
D754,685 S 4/2016 Carlton et al.
D754,699 S 4/2016 Lee et al.
D754,711 S * 4/2016 Herold D14/487
D755,215 S * 5/2016 Lee D14/486
D755,216 S * 5/2016 Lee D14/486
D755,819 S * 5/2016 Gao D14/486
D755,821 S 5/2016 Lee et al.
D756,398 S * 5/2016 Ng D14/487
D757,750 S 5/2016 Tedesco et al.
D757,753 S * 5/2016 Jung D14/485
D757,774 S * 5/2016 Iwamoto D14/486
D757,775 S * 5/2016 Iwamoto D14/486
D758,402 S 6/2016 Jeon et al.
D759,079 S * 6/2016 Carlton D14/486
D759,080 S * 6/2016 Luo D14/486
D759,679 S 6/2016 Behar
D759,680 S 6/2016 Behar
D759,681 S 6/2016 Behar
D759,684 S * 6/2016 Bijlani D14/486
D759,702 S 6/2016 Scalisi et al.
D759,714 S 6/2016 Behar
D760,250 S 6/2016 Myung et al.
D760,251 S 6/2016 Myung et al.
D760,263 S 6/2016 Ta
D760,266 S 6/2016 Beaty et al.
D760,739 S 7/2016 Jung et al.
D760,769 S 7/2016 Ishii et al.
D760,785 S 7/2016 Kim et al.
D760,795 S 7/2016 Barajas et al.
D762,664 S 8/2016 Lee et al.
D763,294 S * 8/2016 Amin D14/486
D764,512 S 8/2016 McNeil et al.
D765,102 S * 8/2016 Lee D14/485
D765,109 S * 8/2016 Kim D14/486
D765,115 S 8/2016 Pierson et al.
D765,669 S * 9/2016 Shaw D14/485
D766,270 S * 9/2016 Gandhi D14/485
D766,282 S 9/2016 Kaplan et al.
D766,959 S * 9/2016 Valade D14/486
D768,143 S 10/2016 Drozd et al.
D768,148 S * 10/2016 Jung D14/485
D768,189 S * 10/2016 Valade D14/488
D768,191 S * 10/2016 Do D14/489
D768,702 S 10/2016 Ford

(56)

References Cited

U.S. PATENT DOCUMENTS

D769,885 S	10/2016	Zhu et al.	2006/0012572 A1	1/2006	Sakurai et al.
D770,470 S	11/2016	Jin	2008/0052640 A1	2/2008	Kraft et al.
D771,136 S *	11/2016	Lee D14/492	2009/0019397 A1 *	1/2009	Buffet G06F 3/0482 715/837
D772,297 S *	11/2016	Vulk D14/485	2009/0037813 A1	2/2009	Newman et al.
D773,487 S	12/2016	Colley et al.	2009/0083662 A1 *	3/2009	Fitzmaurice G06F 3/04815 715/810
D774,064 S	12/2016	Liu et al.	2009/0183100 A1	7/2009	Eom et al.
D775,165 S	12/2016	Sun	2010/0174987 A1 *	7/2010	Shin G06F 3/0482 715/702
D775,196 S *	12/2016	Huang D14/489	2010/0229130 A1	9/2010	Edge et al.
D777,179 S	1/2017	Burns	2010/0259375 A1	10/2010	Ferren et al.
D777,180 S *	1/2017	Kim D14/485	2011/0004835 A1	1/2011	Yanchar et al.
D777,182 S	1/2017	Holm et al.	2011/0055760 A1	3/2011	Drayton et al.
D777,183 S	1/2017	Chevrier et al.	2011/0167392 A1	7/2011	Dicke et al.
D777,186 S *	1/2017	Armstrong D14/486	2011/0202879 A1	8/2011	Stovicek et al.
D778,308 S	2/2017	Wang et al.	2012/0113147 A1 *	5/2012	Virtanen G06F 3/0482 345/650
D778,941 S	2/2017	Coffman et al.	2012/0124520 A1 *	5/2012	Samp G06F 3/04886 715/834
D778,942 S	2/2017	Coffman et al.	2012/0179965 A1	7/2012	Taylor
D781,299 S *	3/2017	Yun D14/485	2012/0203379 A1	8/2012	Sloo et al.
D783,030 S *	4/2017	Lee D14/485	2013/0132887 A1 *	5/2013	Amin G06F 3/048 715/781
D784,383 S	4/2017	Hong et al.	2013/0144674 A1	6/2013	Kim et al.
D785,012 S *	4/2017	Jou D14/485	2013/0227433 A1	8/2013	Doray et al.
9,619,118 B2	4/2017	Vakharia et al.	2014/0137020 A1	5/2014	Sharma et al.
D786,274 S *	5/2017	Lee D14/485	2014/0214640 A1	7/2014	Mallikarjunan et al.
D787,553 S *	5/2017	Maccubbin D14/485	2014/0250410 A1	9/2014	Eaves
D788,157 S	5/2017	Kim et al.	2014/0279584 A1	9/2014	Lee et al.
D789,404 S	6/2017	Modestine et al.	2014/0282075 A1 *	9/2014	Alfaro H04L 67/22 715/751
D789,962 S *	6/2017	Lee D14/486	2015/0155917 A1	6/2015	Won
D791,165 S	7/2017	Modestine et al.	2015/0188720 A1	7/2015	Winter
D792,431 S *	7/2017	Grassle D14/486	2015/0212719 A1 *	7/2015	Gottschlag G08B 13/19682 715/720
2002/0105534 A1 *	8/2002	Balassanian G06F 3/0485 715/716			
2004/0008224 A1 *	1/2004	Molander G06F 3/0481 715/764			
2005/0010955 A1 *	1/2005	Elia G06F 3/0482 725/88			

* cited by examiner

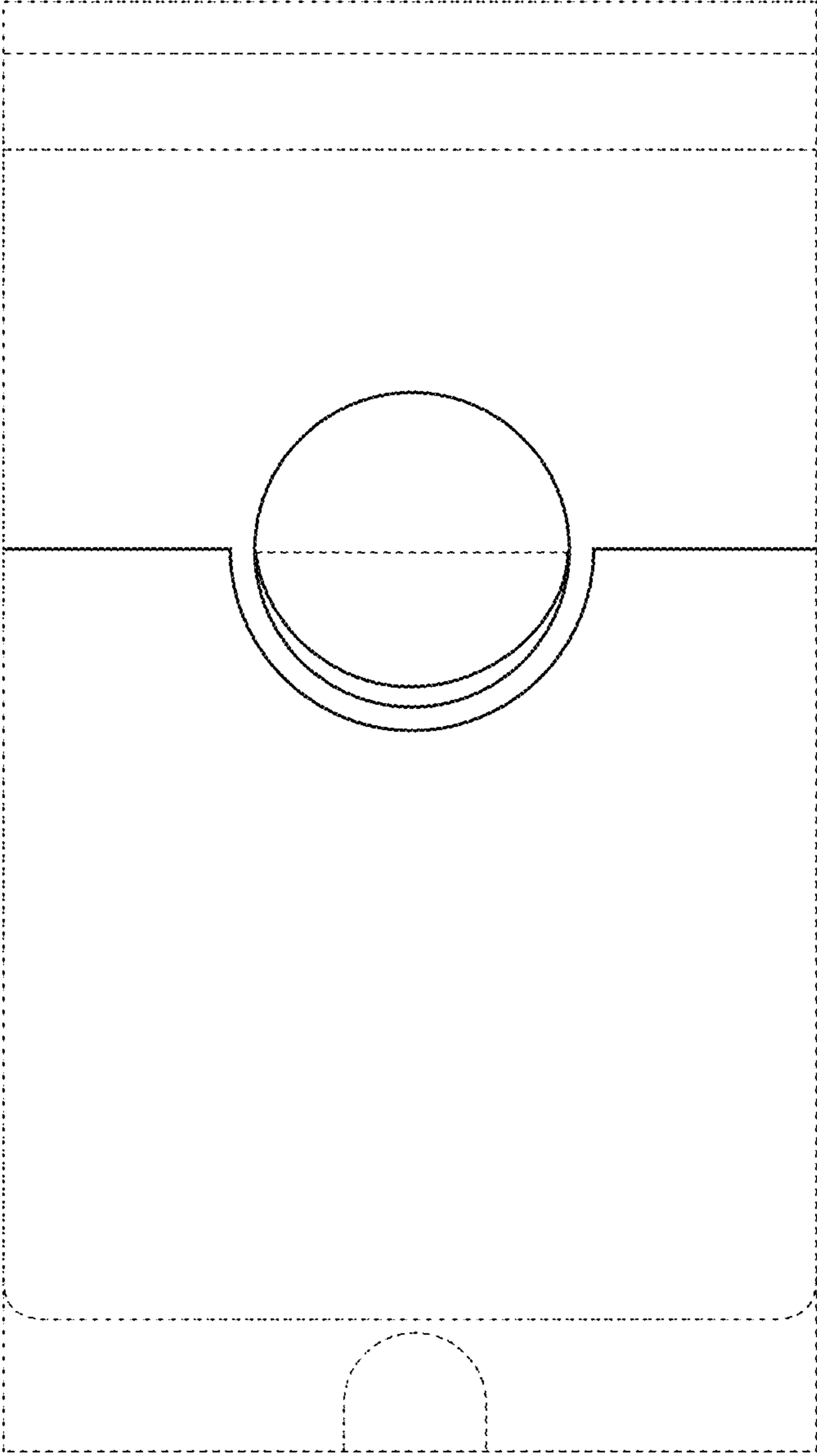


FIG. 1

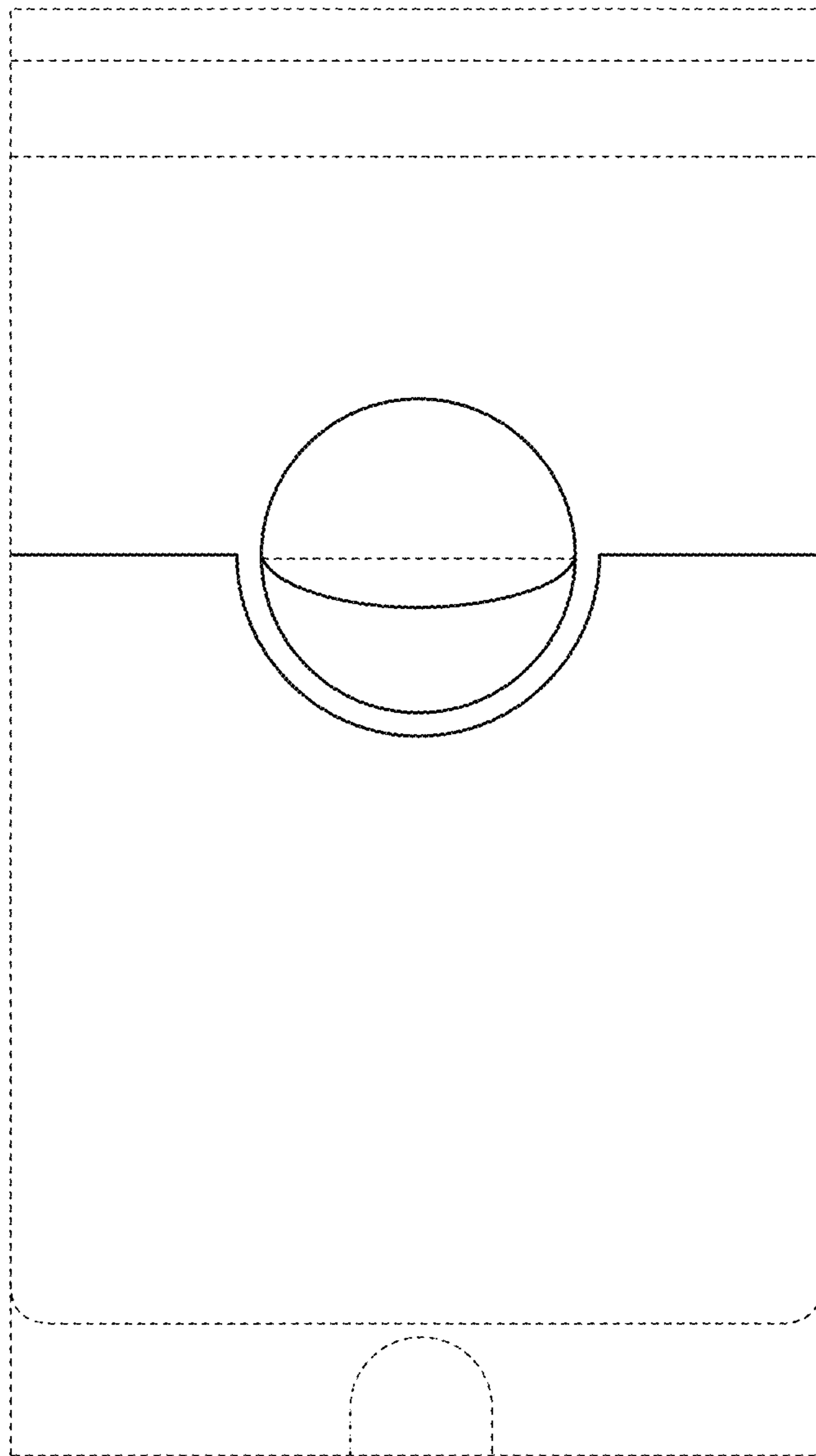


FIG. 2

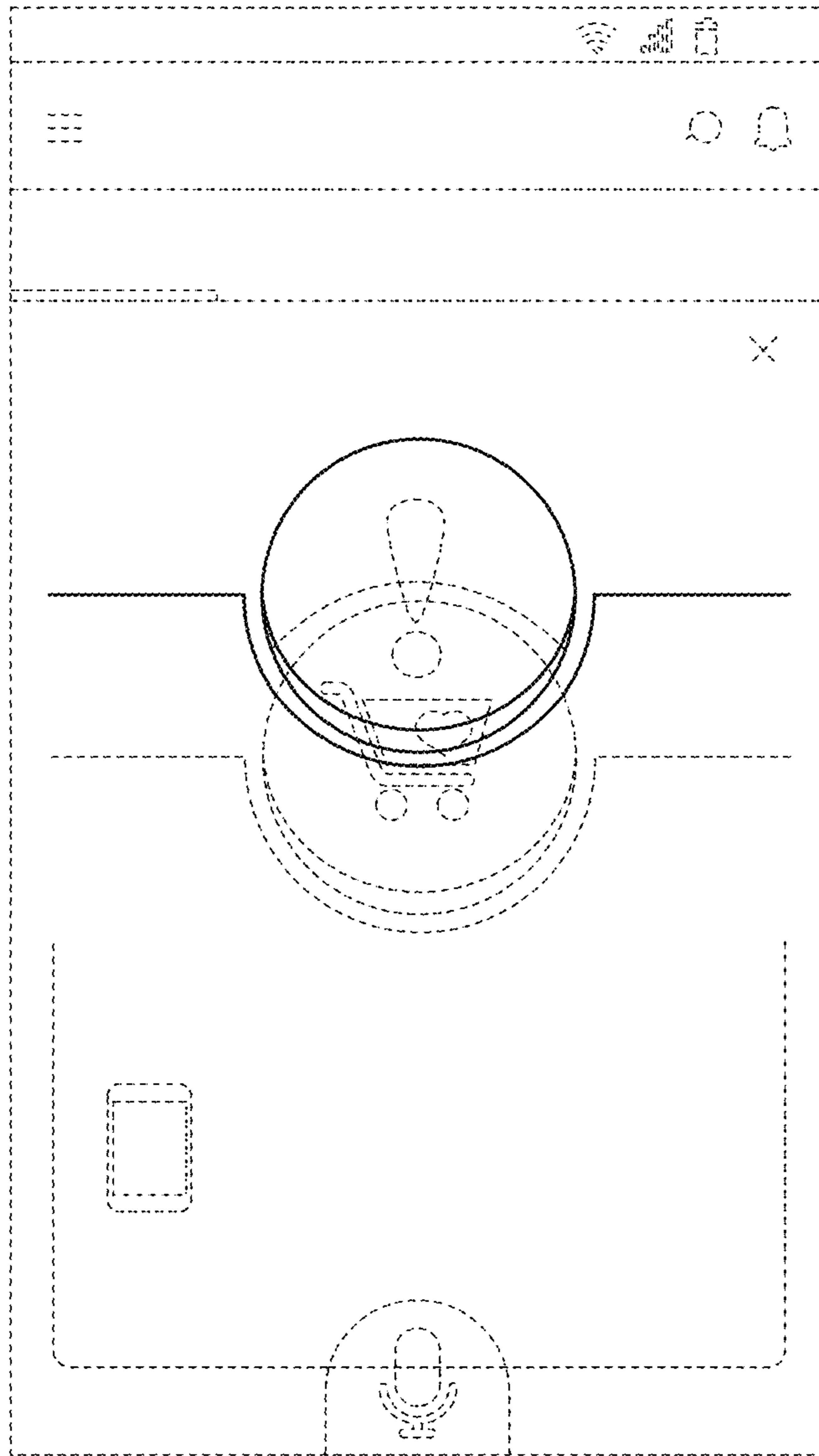


FIG. 3