



US00D828363S

(12) **United States Design Patent**  
**Turksu et al.**

(10) **Patent No.:** **US D828,363 S**

(45) **Date of Patent:** **\*\* Sep. 11, 2018**

(54) **CARD READER WITH USB AND TYPE-C PORTS**

(71) Applicant: **SARIANA, LLC**, San Diego, CA (US)

(72) Inventors: **Alan Turksu**, San Diego, CA (US);  
**Mustafa Burak Guclu**, San Diego, CA (US)

(73) Assignee: **SARIANA, LLC**, San Diego, CA (US)

(\*\*) Term: **15 Years**

(21) Appl. No.: **29/604,893**

(22) Filed: **May 22, 2017**

(51) **LOC (11) Cl.** ..... **14-03**

(52) **U.S. Cl.**  
USPC ..... **D14/480.5**

(58) **Field of Classification Search**  
USPC ..... D14/435.1, 480.1-480.7, 411, 433, 436,  
D14/484.1, 137, 155, 203.1-203.8, 240,  
D14/242; D13/133, 154  
See application file for complete search history.

(56) **References Cited**

**U.S. PATENT DOCUMENTS**

D572,248 S	*	7/2008	Jen	.....	D14/480.5
D583,816 S	*	12/2008	Guccione	.....	D14/480.5
D587,266 S	*	2/2009	Deguchi	.....	D14/480.7
D642,585 S	*	8/2011	Lan	.....	D14/480.5

D688,255 S	*	8/2013	Daniel	.....	D14/480.4
D702,246 S	*	4/2014	Hoffart	.....	D14/480.1
D706,787 S	*	6/2014	Emami	.....	D14/480.7
D735,178 S	*	7/2015	Yoon	.....	D14/240
D757,734 S	*	5/2016	Emami	.....	D14/480.7
D774,514 S	*	12/2016	Turksu	.....	D14/480.5
D784,357 S	*	4/2017	Mombauer	.....	D14/480.5
D800,139 S	*	10/2017	Brown	.....	D14/480.5
D804,491 S	*	12/2017	Lin	.....	D14/480.3

\* cited by examiner

*Primary Examiner* — Angela J Lee

(74) *Attorney, Agent, or Firm* — Wagenknecht IP Law Group, PC

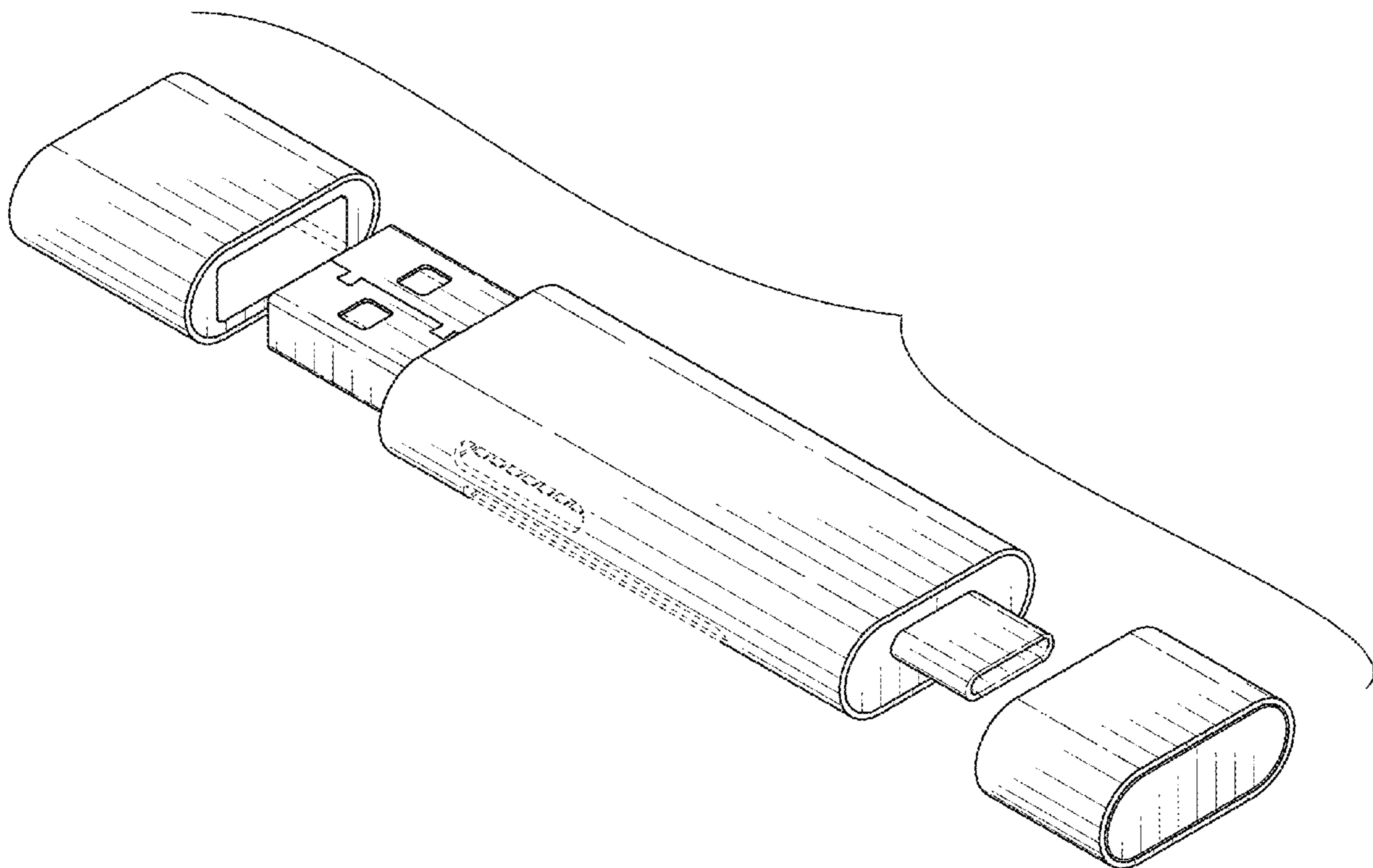
(57) **CLAIM**

The ornamental design for a card reader with USB and type-C ports, as shown and described.

**DESCRIPTION**

FIG. 1 is a front, top, left perspective view of a card reader with USB and type-C ports showing our new design; FIG. 2 is front elevational view thereof; FIG. 3 is a rear elevational view thereof; FIG. 4 is a right side elevational view thereof; FIG. 5 is a left side elevational view thereof; FIG. 6 is a top plan view thereof; and, FIG. 7 is a bottom plan view thereof. wherein the broken lines are for illustrative purposes only and form no part of the claimed design.

**1 Claim, 3 Drawing Sheets**



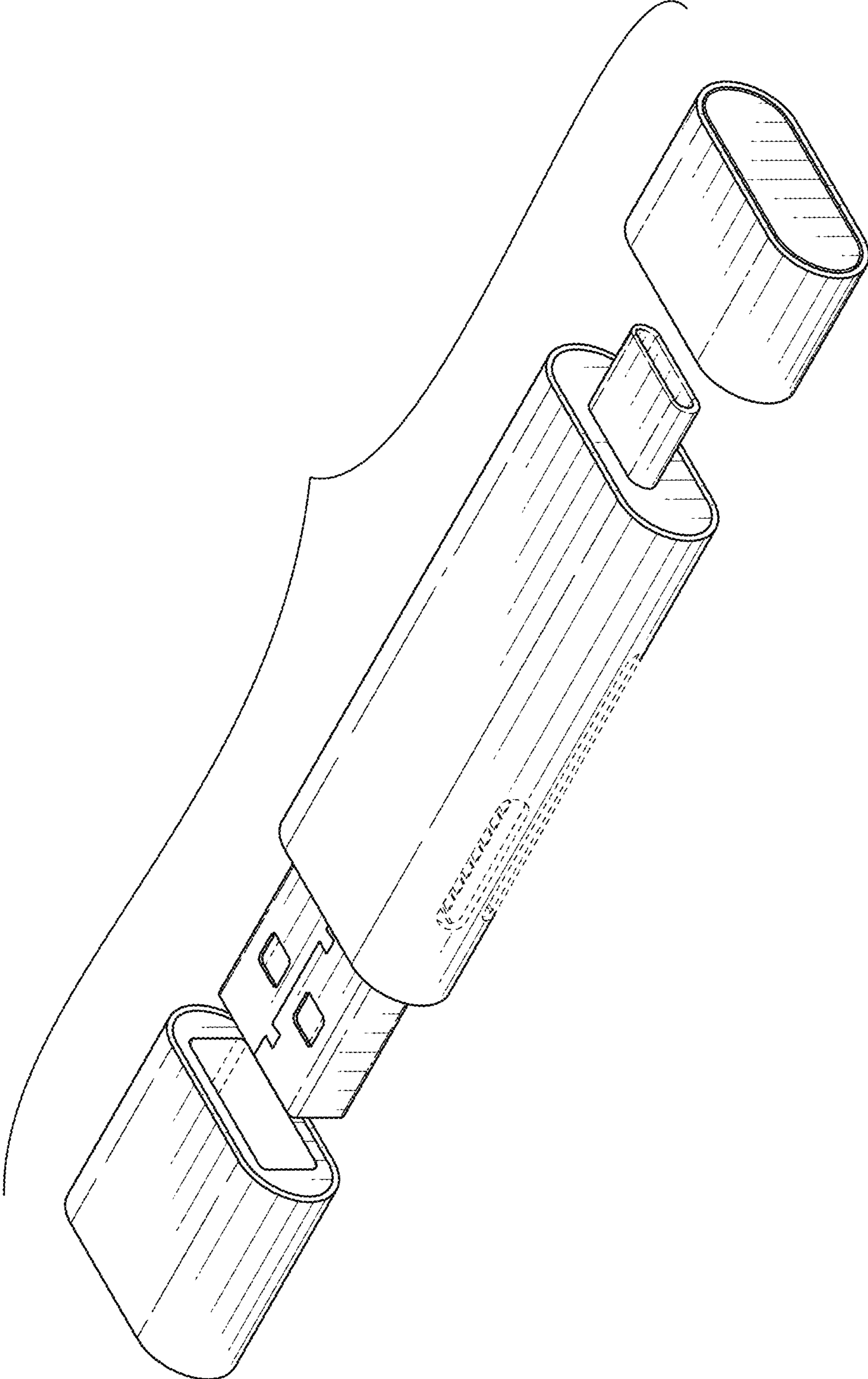


FIG. 1

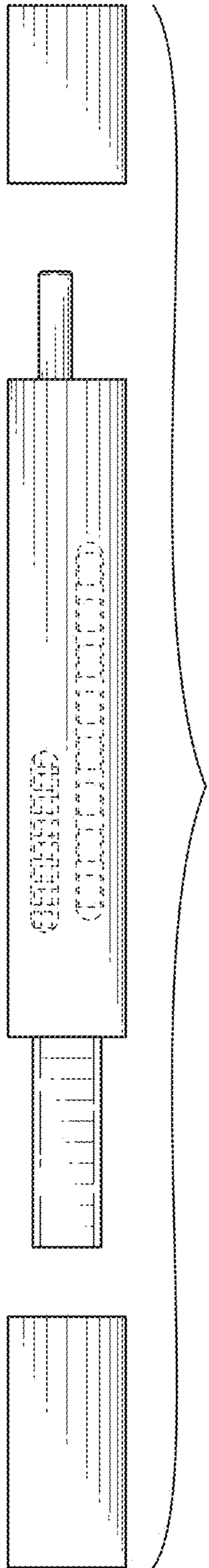


FIG. 2

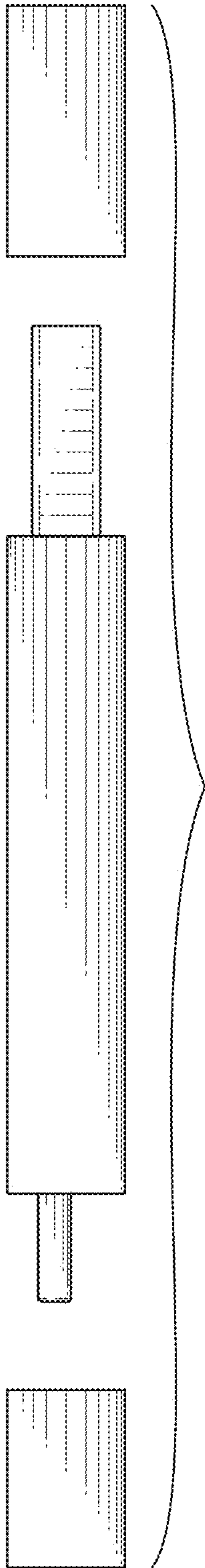


FIG. 3

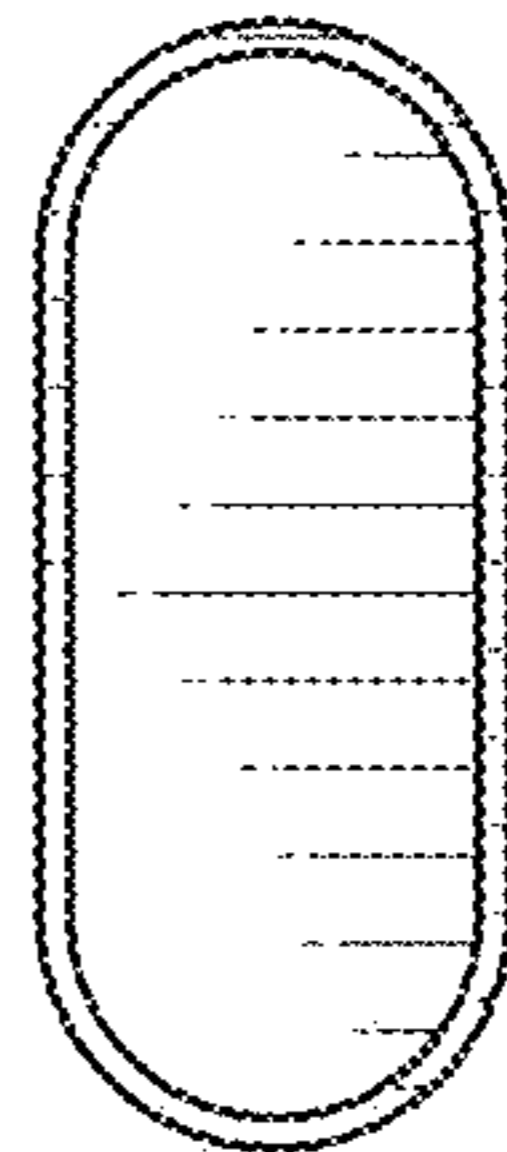


FIG. 4

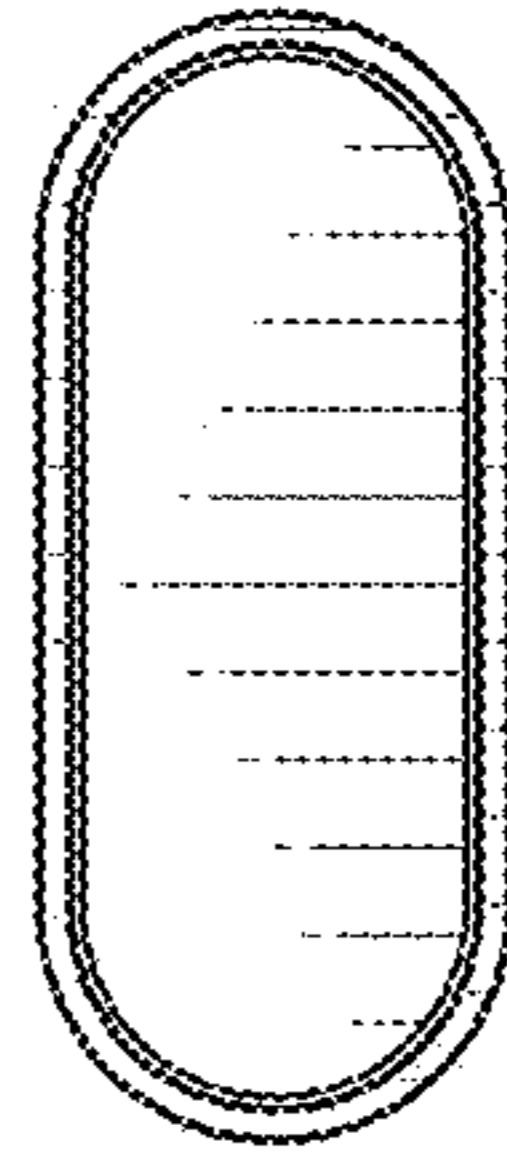


FIG. 5

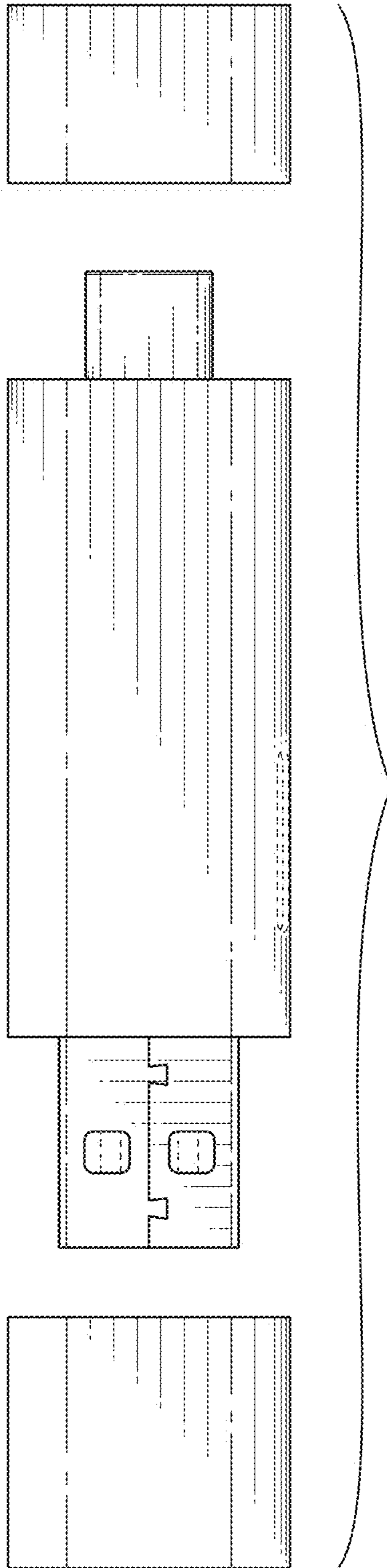


FIG. 6

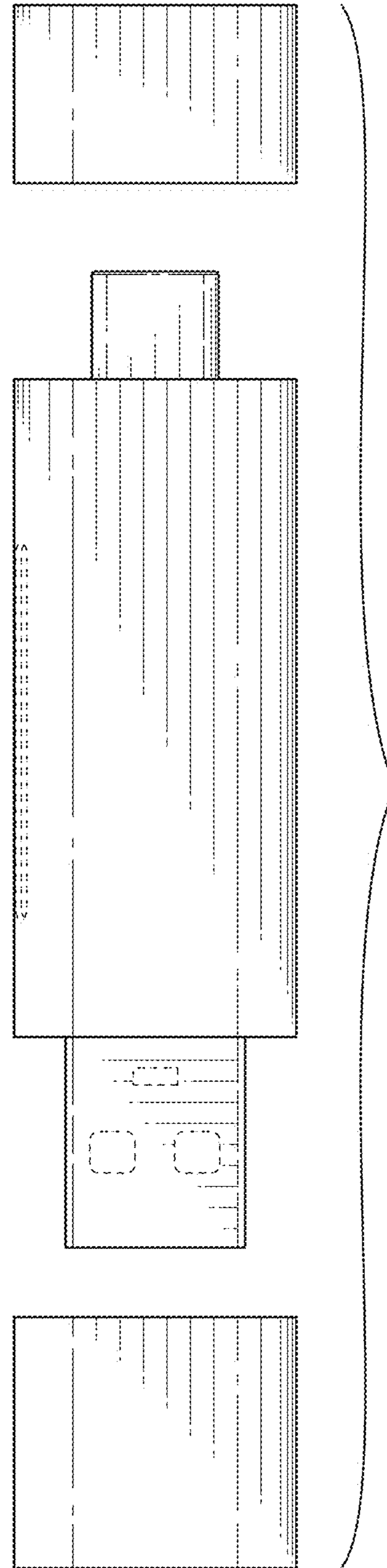


FIG. 7