



US00D828359S

(12) **United States Design Patent** (10) **Patent No.:** **US D828,359 S**
Burmester (45) **Date of Patent:** **** Sep. 11, 2018**

(54) **PROTECTIVE COVER FOR A TABLET COMPUTER**

(71) Applicant: **Ergonomic Solutions International Limited**, Epsom, Surrey (GB)

(72) Inventor: **Benny Burmester**, Norresundby (DK)

(73) Assignee: **ERGONOMIC SOLUTIONS INTERNATIONAL LIMITED**, Epsom (GB)

(**) Term: **15 Years**

(21) Appl. No.: **29/588,931**

(22) Filed: **Dec. 24, 2016**

(51) **LOC (11) Cl.** **14-02**

(52) **U.S. Cl.**
USPC **D14/440**

(58) **Field of Classification Search**
USPC D14/440, 250, 447, 426, 330; 206/45.23, 206/320, 45.2; 361/679.55; 294/25
CPC G06F 1/1628; G06F 1/1626; G06F 1/669; A47B 23/044; H04B 1/3888
See application file for complete search history.

(56) **References Cited**

U.S. PATENT DOCUMENTS

D492,306 S *	6/2004	Martin	D14/346
D551,847 S *	10/2007	Yeap	D3/201
D564,220 S *	3/2008	Dixon	A45F 5/02
				D3/218
D640,707 S *	6/2011	Yeh	D14/447
D641,610 S *	7/2011	Sedalo	D8/354
D658,651 S *	5/2012	Lee	D14/452
D674,803 S *	1/2013	Westrup	A45C 3/02
				D14/440
D674,804 S *	1/2013	Cote	D14/447
D686,629 S *	7/2013	Trinh	D14/447
D687,440 S *	8/2013	Shieh	D14/447

D704,194 S *	5/2014	Young	D14/440
D719,144 S *	12/2014	Eulette	D14/250
D723,042 S *	2/2015	Lee	D14/447
D745,524 S *	12/2015	Hung	D14/440
9,229,494 B2 *	1/2016	Rayner	G06F 1/163
D768,137 S *	10/2016	Ju	D14/440
9,610,888 B2 *	4/2017	Eboli	B60Q 1/0483
D795,263 S *	8/2017	Fujioka	D14/440
D800,106 S *	10/2017	Godycki	D14/250
D800,107 S *	10/2017	Godycki	D14/250
2003/0222149 A1 *	12/2003	Solomon	G06F 1/1669
				235/472.01
2004/0112776 A1 *	6/2004	Lord	G06F 1/1616
				206/320
2011/0174645 A1 *	7/2011	Lord	G06F 1/1616
				206/320
2012/0043247 A1 *	2/2012	Westrup	A45C 3/02
				206/472

(Continued)

Primary Examiner — Cynthia R Underwood

(74) *Attorney, Agent, or Firm* — Berg Hill Greenleaf & Ruscitti LLP

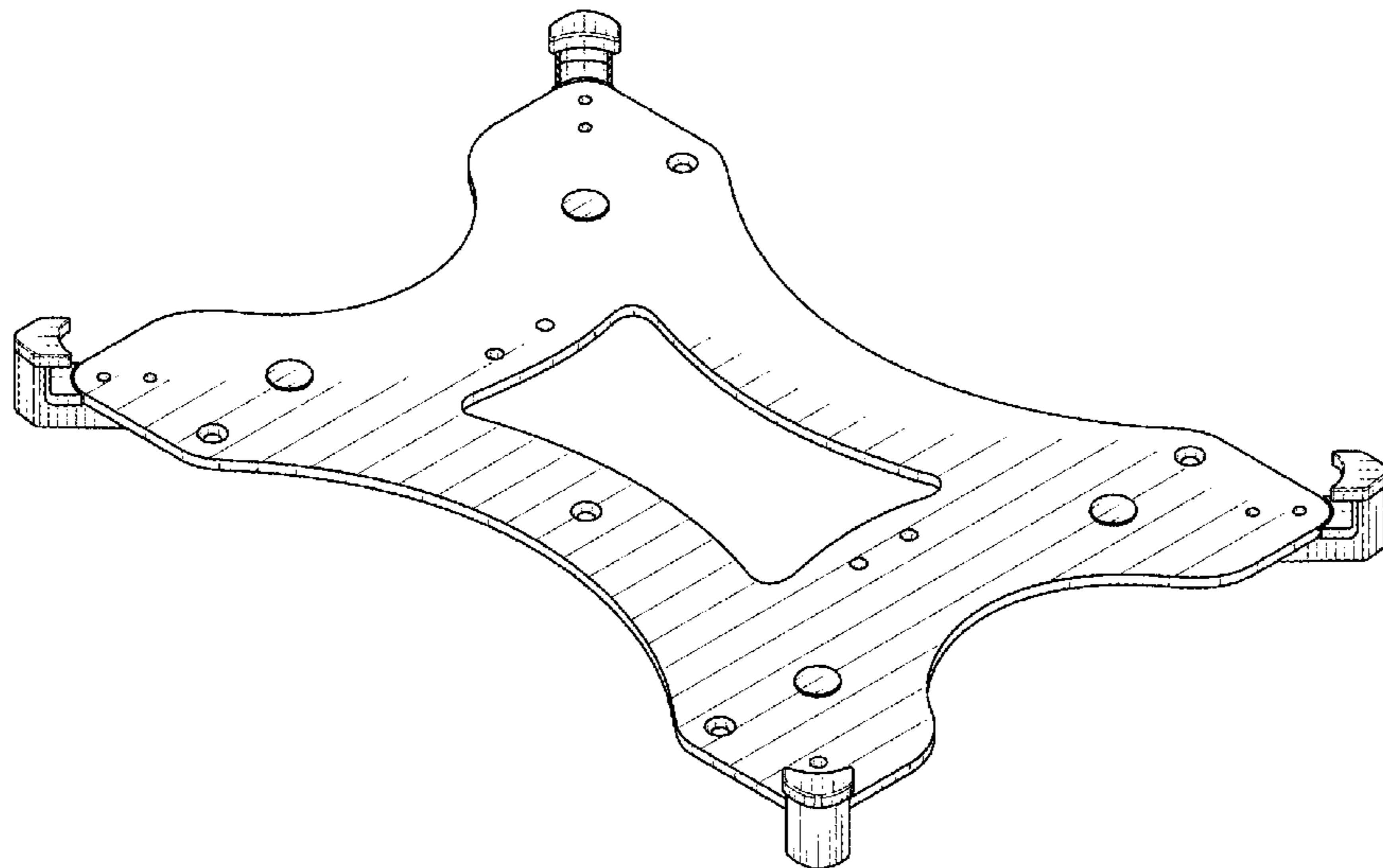
(57) **CLAIM**

I claim the ornamental design for a protective cover for a tablet computer, as shown and described.

DESCRIPTION

FIG. 1 is a perspective view of a protective cover and showing my new design;
FIG. 2 is a front view thereof;
FIG. 3 is a rear view thereof;
FIG. 4 is a left side view thereof with the right side view being a mirror image thereof; and,
FIG. 5 is a bottom view thereof with the top view being a mirror image thereof.
The broken lines shown in FIG. 3 is for the purpose of illustrating environment and forms no part of the claimed design.

1 Claim, 3 Drawing Sheets



(56)

References Cited

U.S. PATENT DOCUMENTS

2012/0074272	A1 *	3/2012	Hull	F16M 11/041 248/122.1
2012/0097831	A1 *	4/2012	Olukotun	F16M 11/041 248/688
2013/0105662	A1 *	5/2013	Cote	F16M 11/041 248/689
2014/0141846	A1 *	5/2014	Weaver, III	H04M 1/04 455/575.1
2014/0217862	A1 *	8/2014	Rayner	H05K 5/0221 312/223.1
2015/0156900	A1 *	6/2015	Yeh	H04B 1/3888 312/223.1
2016/0135560	A1 *	5/2016	Yeh	H04M 1/185 224/581

* cited by examiner

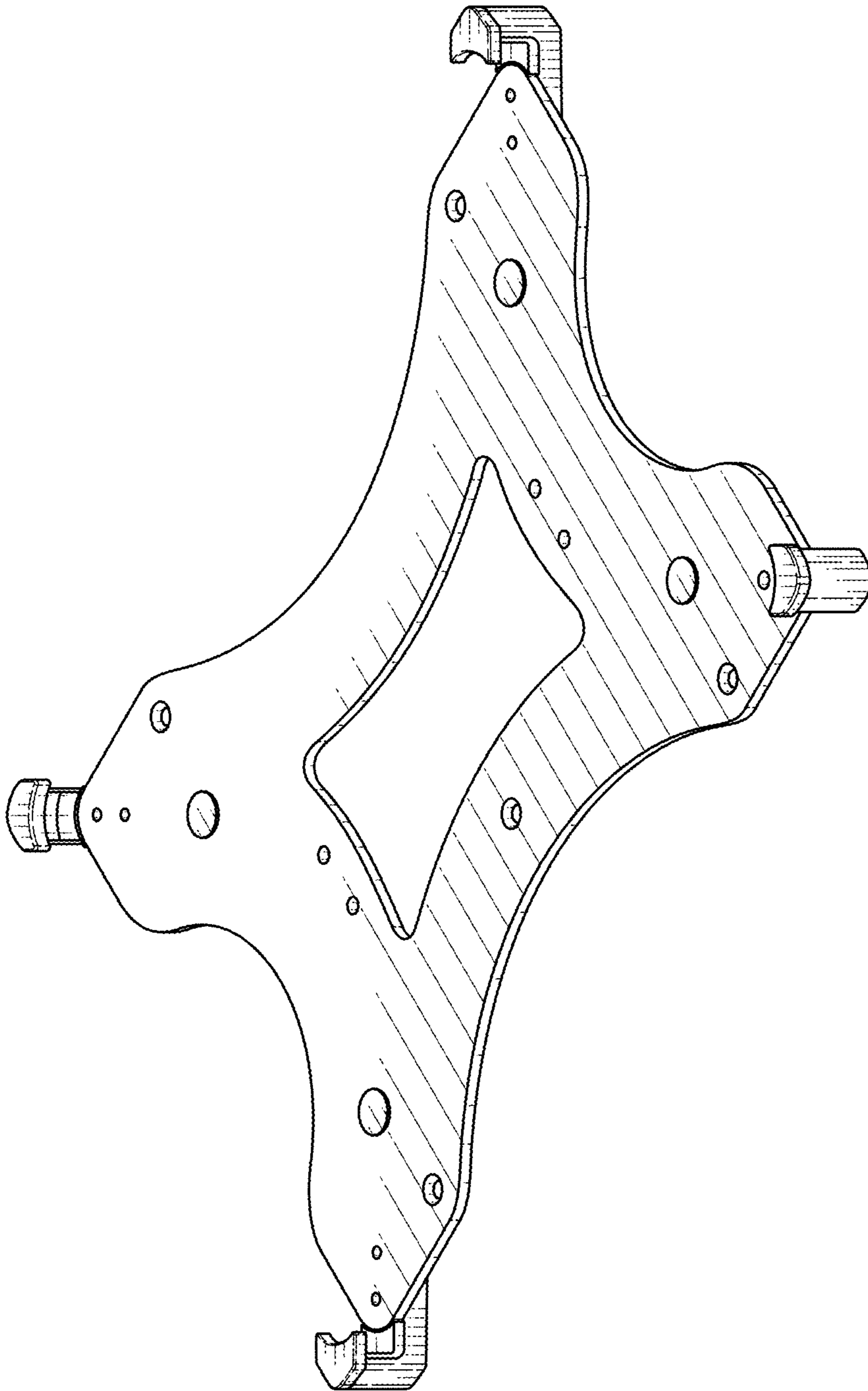


FIG. 1

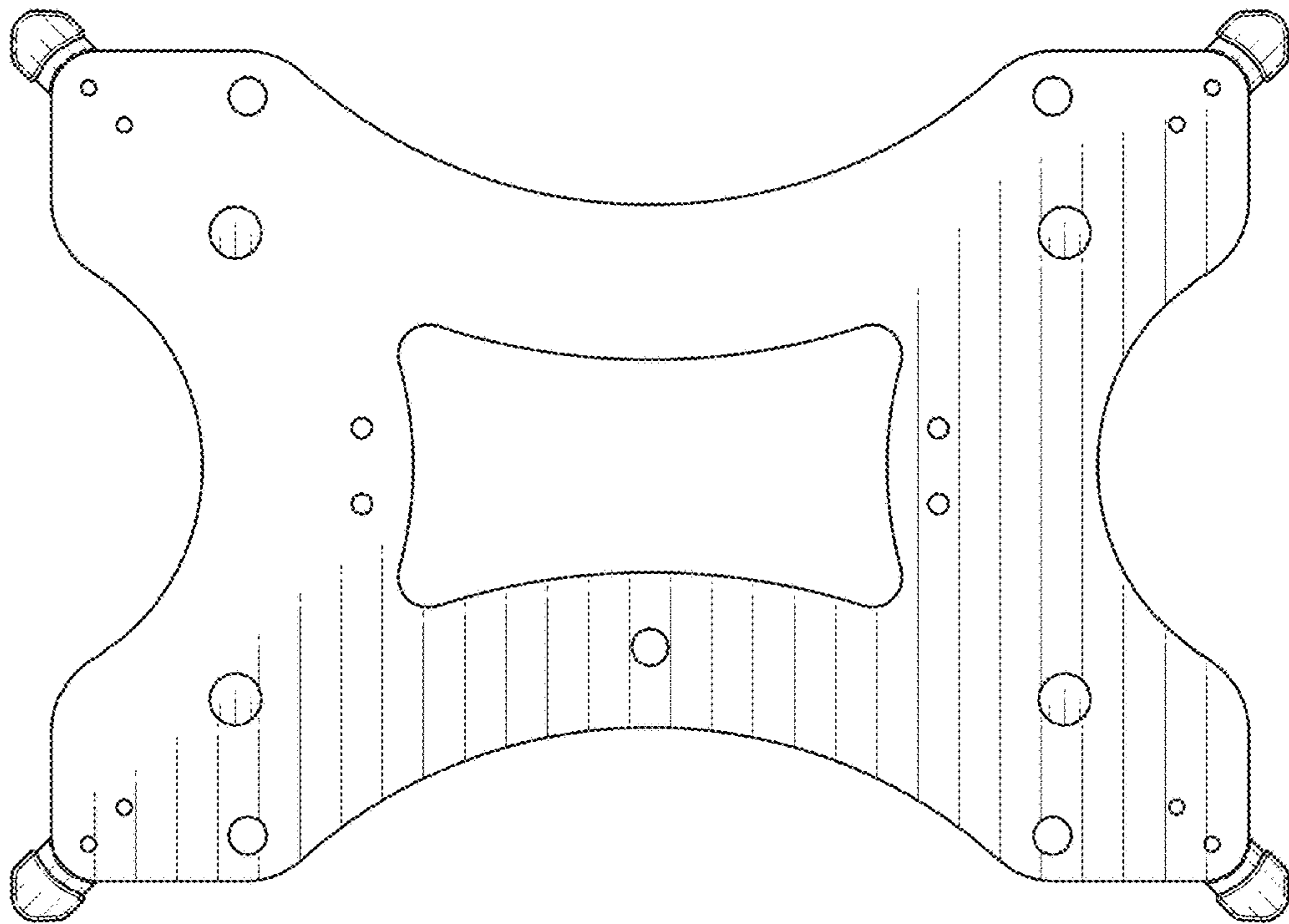


FIG. 2

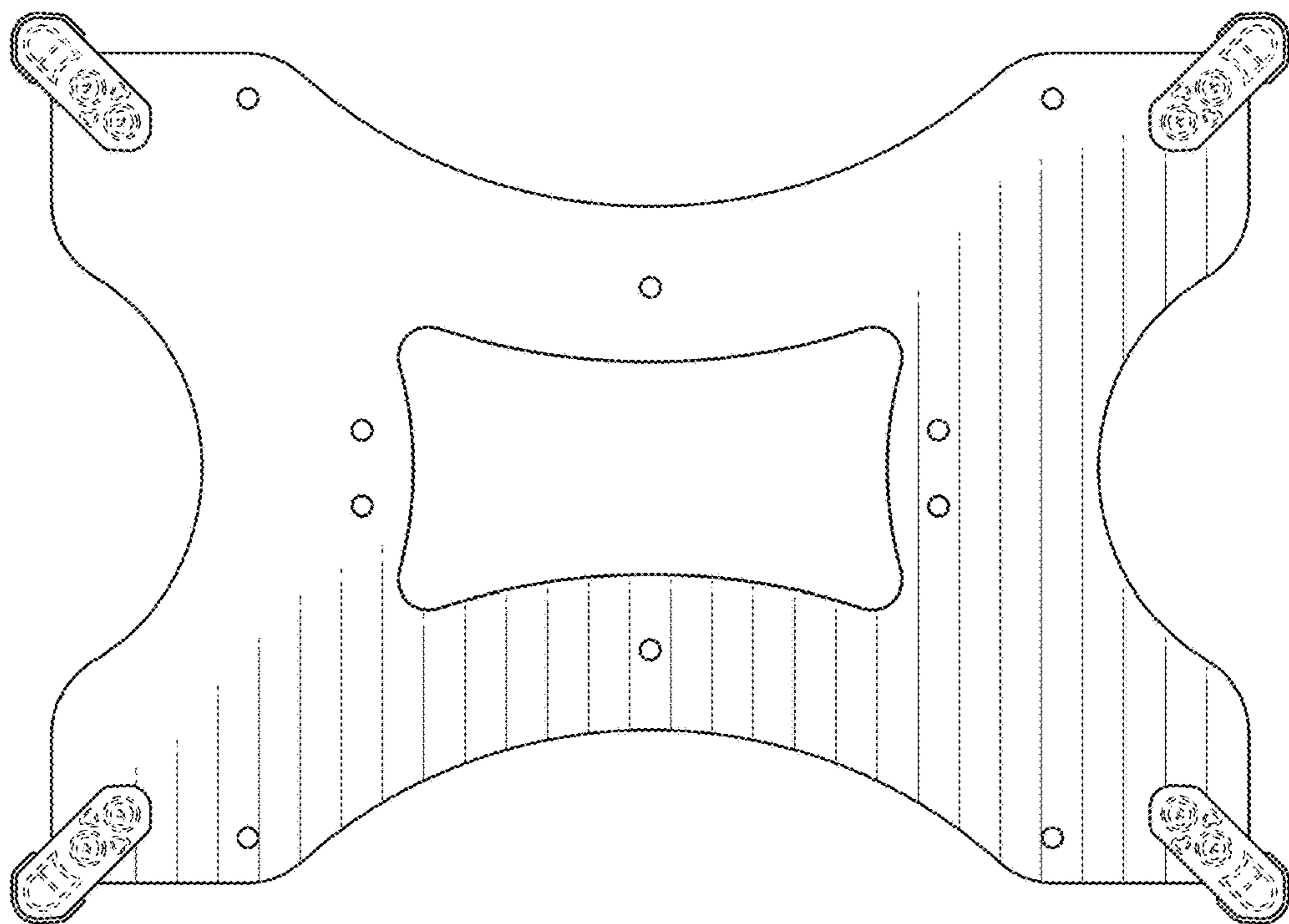


FIG. 3

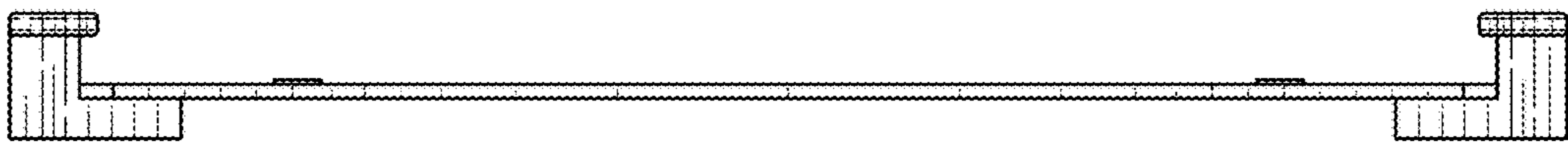


FIG. 4

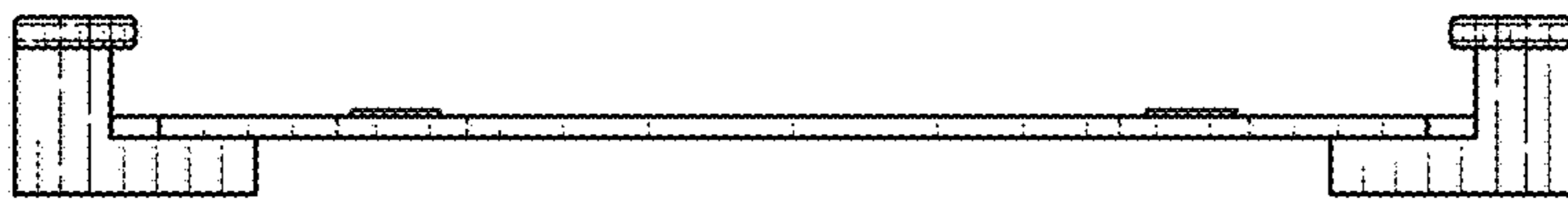


FIG. 5