



US00D828358S

(12) **United States Design Patent**
Lim et al.

(10) **Patent No.:** **US D828,358 S**
(45) **Date of Patent:** **** Sep. 11, 2018**

(54) **SSD STORAGE DEVICE**

(71) Applicant: **SAMSUNG ELECTRONICS CO., LTD.**, Suwon-si (KR)

(72) Inventors: **G. M Lim**, Seoul (KR); **Eun-jin Yun**, Seoul (KR)

(73) Assignee: **SAMSUNG ELECTRONICS CO., LTD.**, Suwon-si (KR)

(**) Term: **15 Years**

(21) Appl. No.: **29/614,250**

(22) Filed: **Aug. 17, 2017**

(30) **Foreign Application Priority Data**

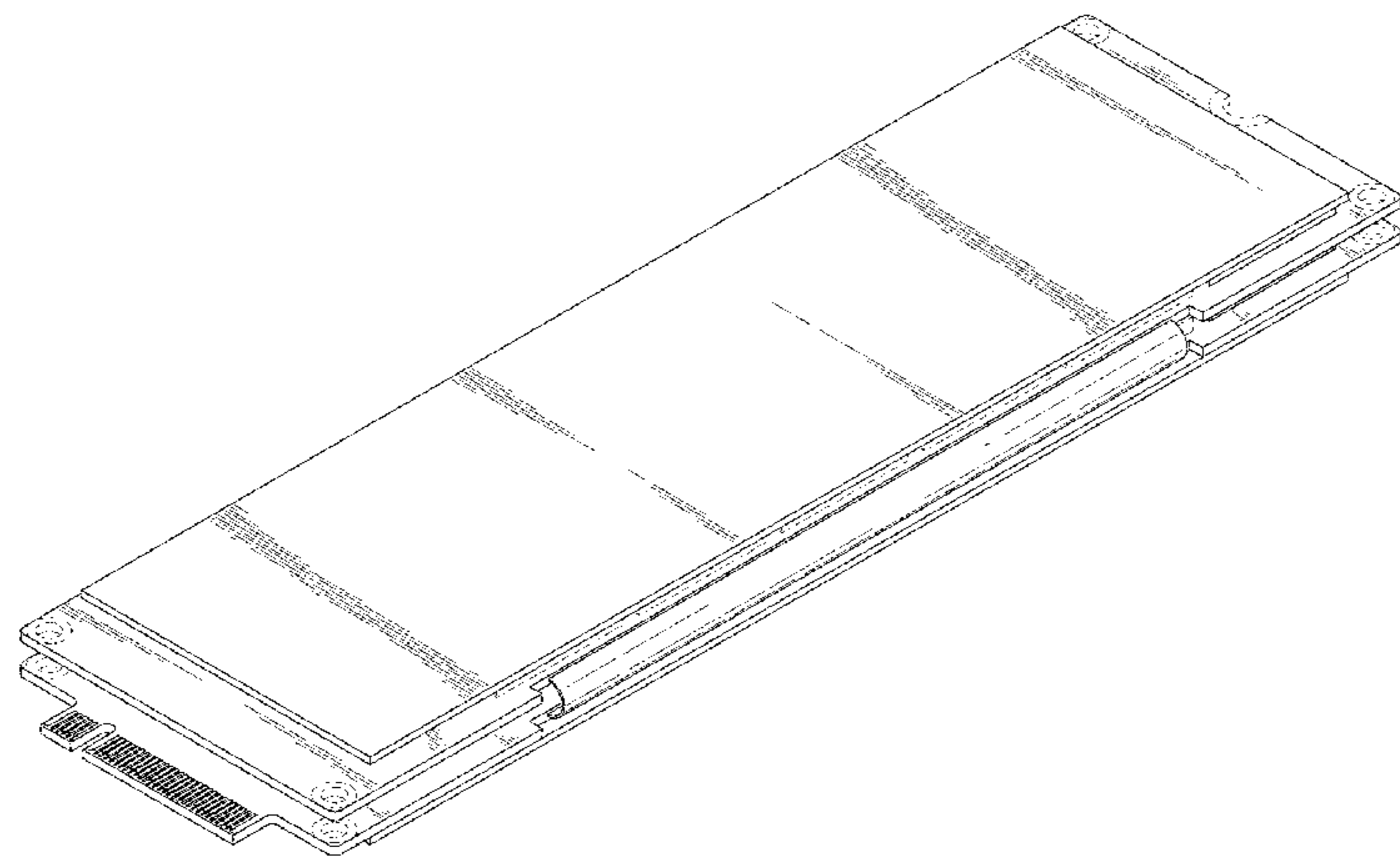
Feb. 17, 2017 (KR) 30-2017-0007660

(51) **LOC (11) Cl.** **14-02**

(52) **U.S. Cl.**
USPC **D14/436**; D14/435

(58) **Field of Classification Search**
USPC 439/946, 948, 159, 77; 174/250, 260, 174/52.1, 52.2, 16.1, 16.3; 710/300-303; 438/121; 376/191; 165/185, 80.2; 711/104, 164; 365/191, 51, 200, 201, 365/230.1, 230.03, 233.11, 212.63; 714/733, 744, 763, 718, 723, 766, 6.13, 714/773; 360/69, 97.02, 53; 361/679.33-679.45, 737, 752, 736, 728, 361/796, 797, 729, 730, 725-727, 749, 361/760, 784, 789, 771, 792, 764, 765, 361/704, 715, 710, 711, 719, 767, 785, 361/803; 400/412, 713-715; 428/137-138, 140, 304.4, 457; 442/9; 257/678, 679, 693, E23.064, 734, 713, 257/718, 719, E25.023, E21.705, 257/E23.098, E23.177; 235/441, 443, 235/487, 492, 493, 495, 380; D18/1, 7, D18/9, 11; D13/103, 119, 162, 184, 199, D13/182; D14/110, 114, 125, 240, 242, D14/299-302, 314, 348-370, 435-438, D14/496, 478-480

CPC G06K 19/06196; G06K 19/072; G06K 19/0721; G06K 19/0722; G06K 19/0723; G06K 19/0724; G06K 19/0725; G06K 19/0726; G06K 19/0727; G06K 19/0728; G06K 19/073; G06K 19/07309; G06K 19/077; G06K 19/07701; G06K 19/07715; G06K 19/0772; G06K 19/07724; G06K 19/07726; G06K 19/07728; G06F 21/77-21/80; G06F 21/85-21/88; G06F 21/00; G06F 3/0604; G06F 3/0688; G06F 3/0653; G06F 3/0659; G06F 11/1076; G06F 11/1008; G06F 11/1044; G06F 12/1416; G06F 12/1425; G06F 12/1433; G06F 13/00; G06Q 20/3229; G06Q 20/34; G06Q 20/341; G06Q 20/346; G06Q 20/349; G06Q 20/3563; G06Q 20/3567; G06Q 20/357; G06Q 20/3576; H05K 5/026; H05K 5/0256; H05K 5/0265; H05K 5/0269; H05K 5/0273; H05K 5/0278; H05K 5/0282; H05K 5/0286; H05K 5/0291; H05K 5/0295; H05K 5/03; H05K 5/04; H05K 5/06; H05K 5/061; H05K 5/062; H05K 5/063; H05K 5/064; H05K 5/065; H05K 5/066; H05K 5/067; H05K 5/068; H05K 5/069; H05K 7/00; H05K 7/005; H05K 7/02; H05K 7/023; H05K 7/026; H05K 7/04; H05K 7/10; H05K 7/1418; H05K 7/142; H05K 7/1424; H05K 7/1427-7/1439; H05K 7/1461; H05K 7/1464-7/1474; H05K 7/1479; H05K 7/1481; H05K 7/1485-7/1488; H05K 2201/09745; H05K 2201/09754; H05K 2201/09763; H05K 2201/09772; H05K 2201/098; H05K 2201/09818; H05K 2201/10; H05K 2201/10007; H05K 1/189; H05K 1/0203; H05K 1/118; H05K 1/181; H05K 3/00; H05K 3/0061; H05K 999/00; H05K 2201/056; H05K 2201/1056; H05K 2201/10734; H05K 2201/2018; H05K 2203/1572; H04N 2201/216; G11C 16/0483; G11C 16/225; G11C 16/10; G11C 7/04; G11C 7/22; G11C 5/04; G11C 5/00; G11C 5/143;



2010/0073860 A1* 3/2010 Moriai G06F 3/0626
 361/679.32
 2013/0219235 A1* 8/2013 Ohba G11C 29/12
 714/718
 2016/0172016 A1* 6/2016 Matsumoto G11C 5/04
 365/191
 2016/0334992 A1* 11/2016 Yashiro G06F 3/0614
 2017/0010639 A1* 1/2017 Matsumoto G06F 1/183

(74) *Attorney, Agent, or Firm* — Sughrue Mion, PLLC

(57) **CLAIM**

The ornamental design for an SSD storage device, as shown and described.

DESCRIPTION

FIG. 1 is a perspective view of an SSD storage device showing our new design.
 FIG. 2 is a front elevation view thereof.
 FIG. 3 is a rear elevation view thereof.
 FIG. 4 is a left side elevation view thereof.
 FIG. 5 is a right side elevation view thereof.
 FIG. 6 is a top plan view thereof; and,
 FIG. 7 is a bottom plan view thereof.
 Broken lines and unshaded portions contained within broken lines depict either features of the SSD storage device that form no part of the present design claim or exemplary elements that might be used in conjunction with the SSD storage device that are shown for illustrative purposes only and that form no part of the claimed design.

FOREIGN PATENT DOCUMENTS

CN	303719066	S	6/2016
JP	D1479370	S	9/2013
JP	D1520122	S	3/2015
JP	D1528484	S	7/2015
KR	30-0645777	S	6/2012
KR	30-0680966	A	2/2013
KR	30-0680971	S	2/2013

OTHER PUBLICATIONS

Communication dated Nov. 2, 2017, issued by the Taiwan Patent Office in counterpart Taiwan application No. 106304667.
 Non-Patent Prior Art List, 2 pgs total.

* cited by examiner

Primary Examiner — Susan Moon Lee

1 Claim, 7 Drawing Sheets

FIG. 1

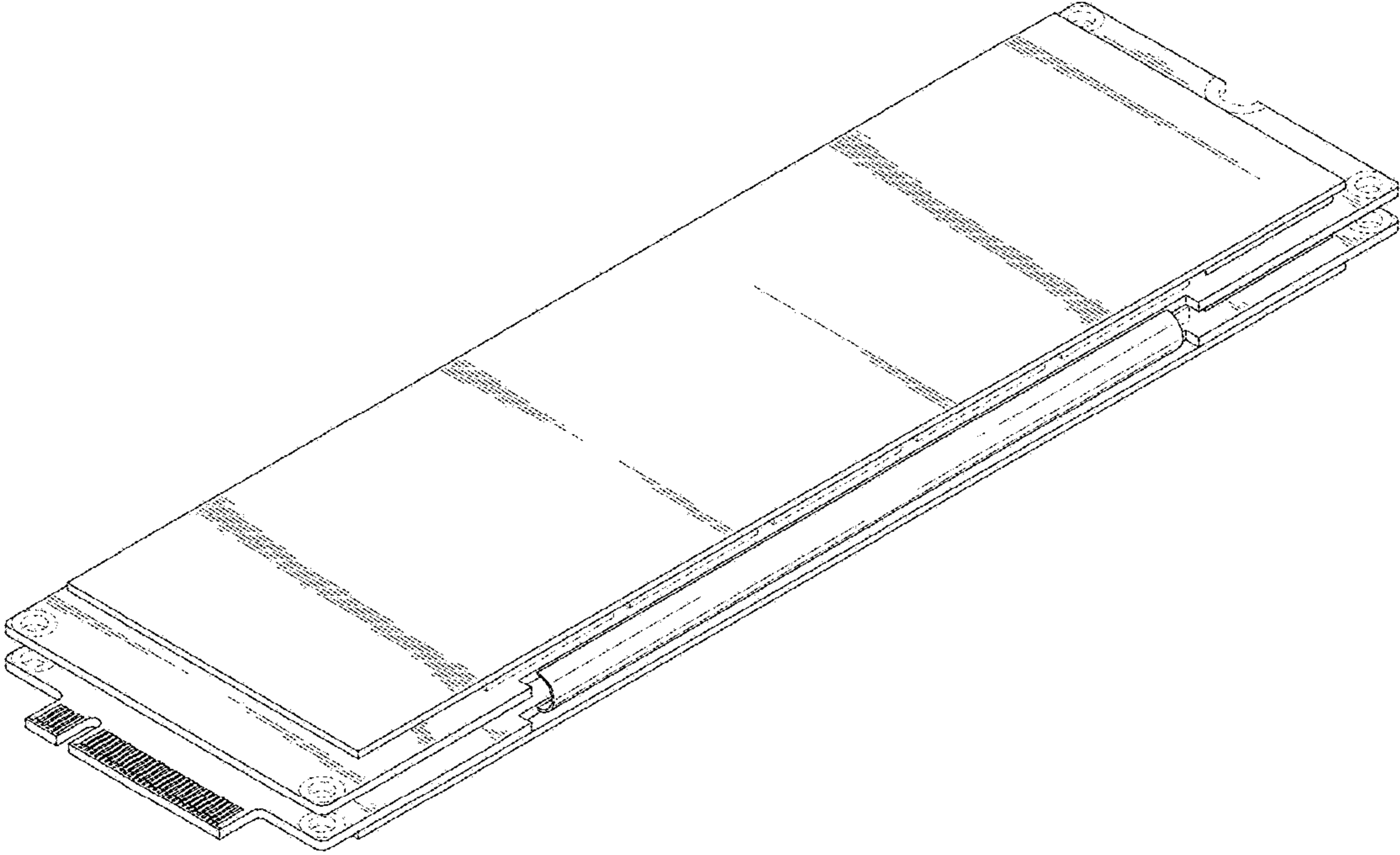


FIG. 2

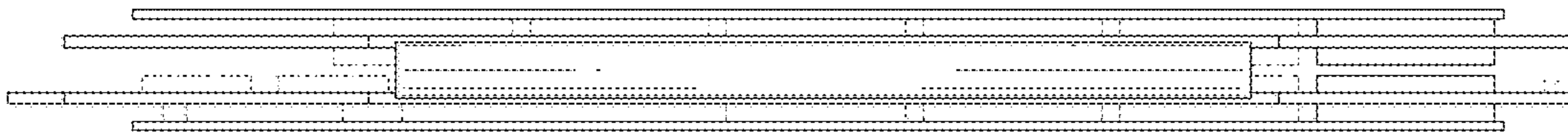


FIG. 3

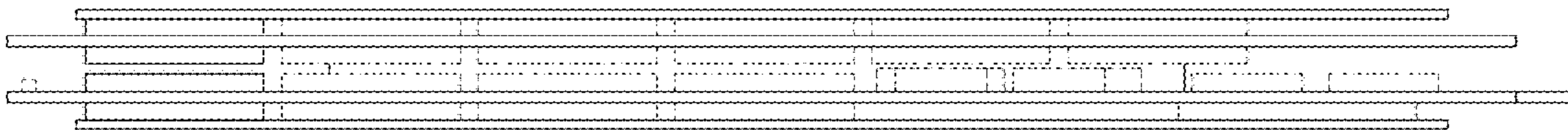


FIG. 4

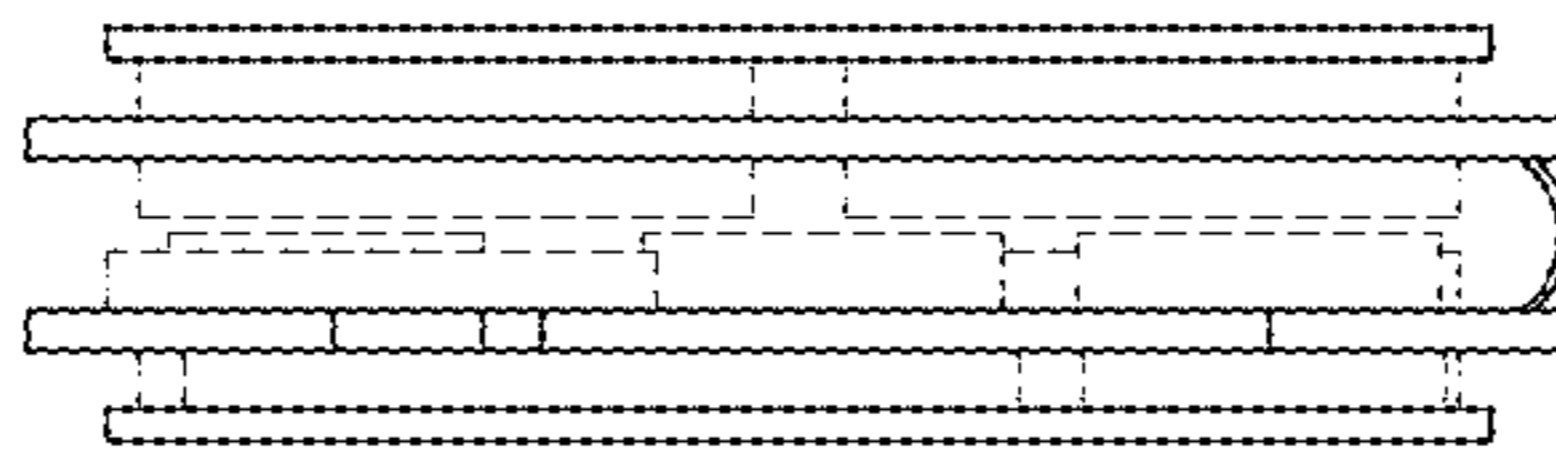


FIG. 5

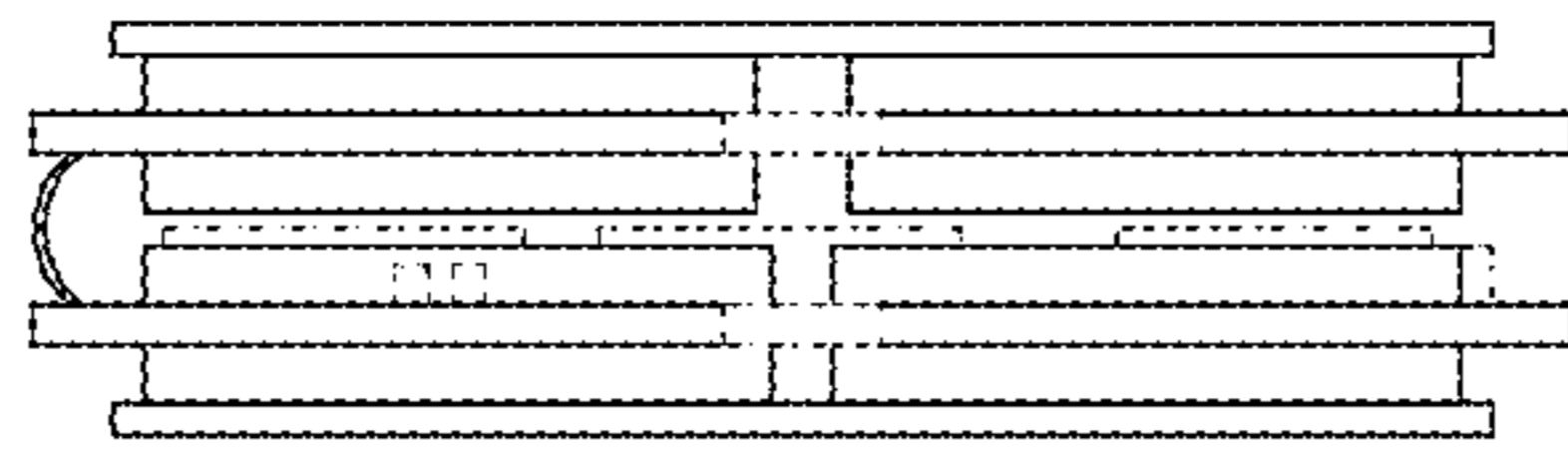


FIG. 6

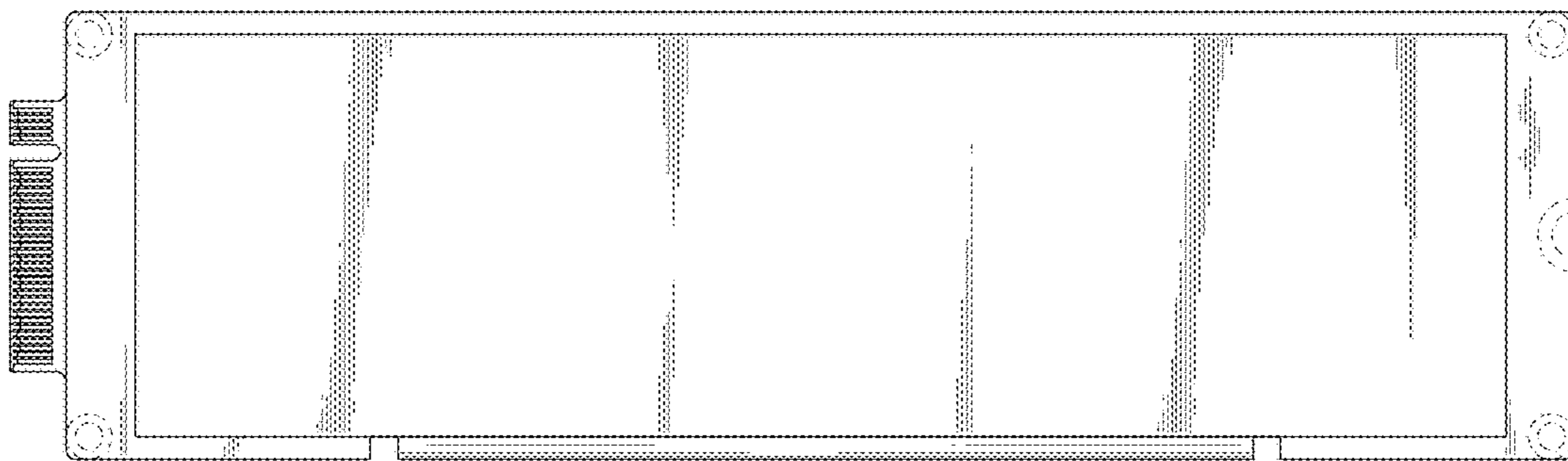


FIG. 7

