



US00D828355S

(12) **United States Design Patent**  
**Xie**

(10) **Patent No.:** **US D828,355 S**

(45) **Date of Patent:** **\*\* Sep. 11, 2018**

- (54) **MULTIFUNCTIONAL POWER ADAPTER**
- (71) Applicant: **Wanliang Xie**, Yongding (CN)
- (72) Inventor: **Wanliang Xie**, Yongding (CN)
- (\*\*) Term: **15 Years**
- (21) Appl. No.: **29/615,011**
- (22) Filed: **Aug. 25, 2017**
- (51) **LOC (11) Cl.** ..... **14-02**
- (52) **U.S. Cl.**  
USPC ..... **D14/433**
- (58) **Field of Classification Search**  
USPC ..... D18/4.4, 4.5, 4.6, 12, 12.1, 12.3;  
D14/383, 384, 385, 386, 378  
CPC ..... G06K 19/07749; G06K 19/0723; G06K  
19/041; G06K 19/07758; G06K 19/0775;  
G06K 19/07783; G06K 19/07794; G06K  
19/06046; G06K 19/07722; G06K  
19/07773; G06K 19/07779; G06K  
19/07784; G06K 19/07786; G06K  
19/0709  
See application file for complete search history.

D709,892 S *	7/2014	Lui	.....	D14/433
D711,884 S *	8/2014	Turksu	.....	D14/433
D740,291 S *	10/2015	Turksu	.....	D14/433
D772,879 S *	11/2016	Eliyahu	.....	D14/433
D776,659 S *	1/2017	Hou	.....	D14/433
D788,112 S *	5/2017	Liao	.....	D14/433
D791,138 S *	7/2017	Eliyahu	.....	D14/435.1
D793,397 S *	8/2017	Eliyahu	.....	D14/433
D794,028 S *	8/2017	Lin	.....	D14/433
D800,730 S *	10/2017	Liao	.....	D14/433
D803,833 S *	11/2017	He	.....	D14/385
D808,392 S *	1/2018	Bo	.....	D14/433
D813,875 S *	3/2018	Liao	.....	D14/434
D815,639 S *	4/2018	Lau	.....	D14/433

\* cited by examiner

*Primary Examiner* — Austin Murphy

(57) **CLAIM**

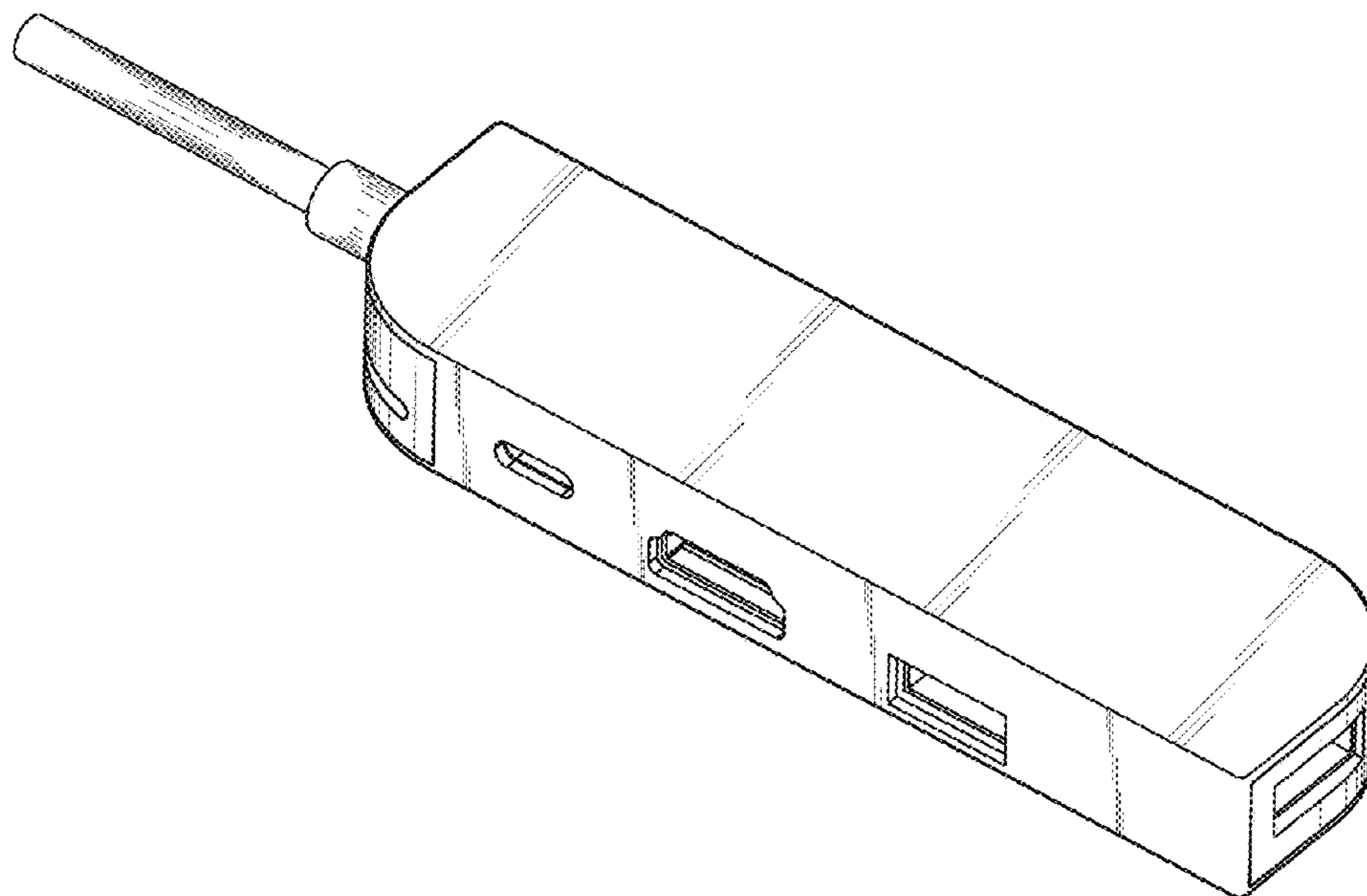
The ornamental design for a multifunctional power adapter, as shown.

**DESCRIPTION**

FIG. 1 is a front elevational view of a multifunctional power adapter showing my new design;  
 FIG. 2 is a rear elevational view thereof;  
 FIG. 3 is a left side elevational view thereof;  
 FIG. 4 is a right side elevational view thereof;  
 FIG. 5 is a top plan view thereof;  
 FIG. 6 is a bottom plan view thereof; and,  
 FIG. 7 is a perspective view thereof.

**1 Claim, 6 Drawing Sheets**

- (56) **References Cited**  
U.S. PATENT DOCUMENTS
- D559,848 S \* 1/2008 Siu ..... D14/433
- D559,849 S \* 1/2008 Siu ..... D14/433
- D560,165 S \* 1/2008 Matityahu ..... D13/133
- D670,291 S \* 11/2012 Dalton ..... B25C 7/00  
D14/433
- D693,768 S \* 11/2013 Alesi ..... D13/110



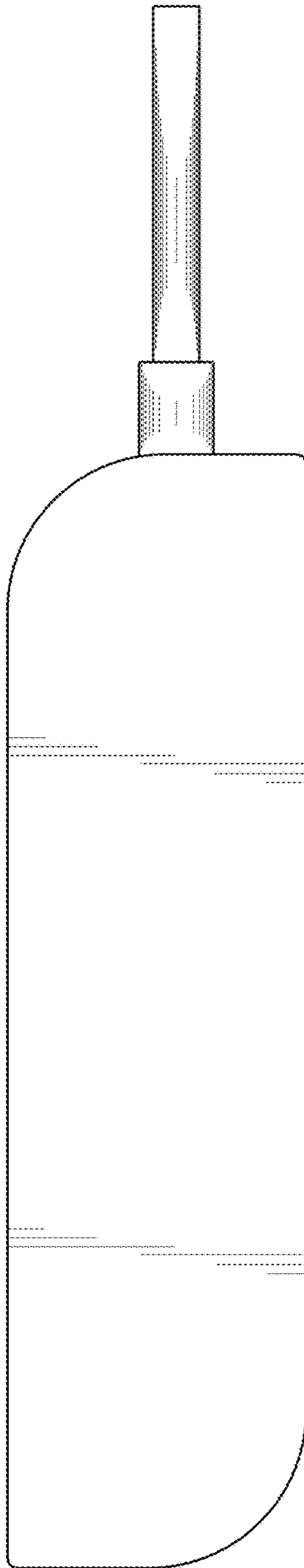


FIG.1

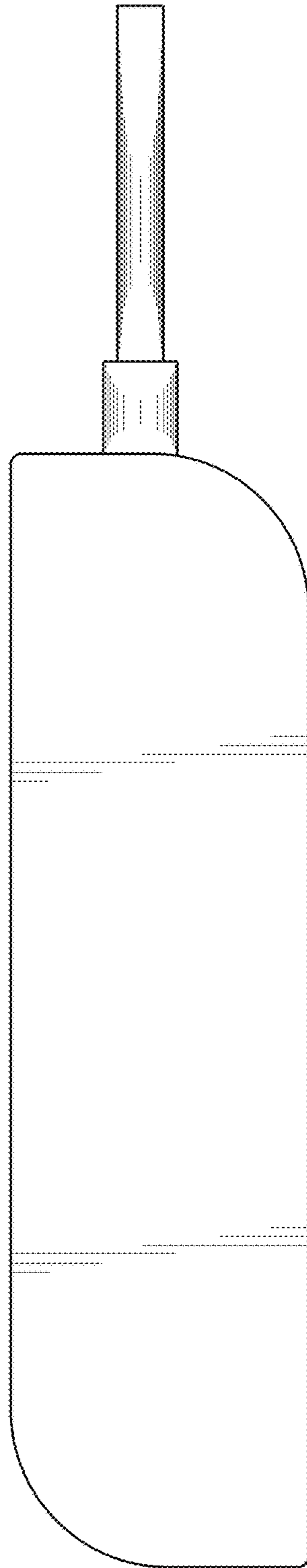


FIG.2

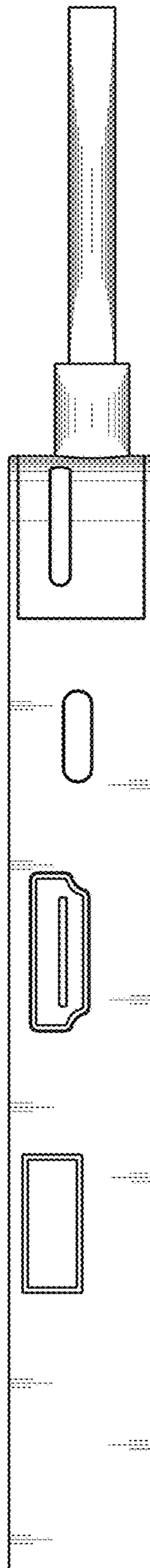


FIG.3

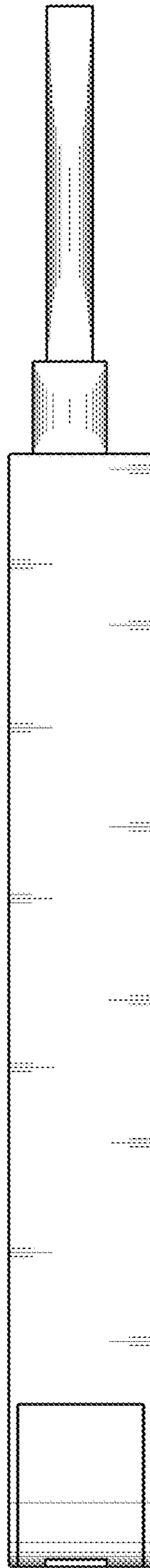


FIG.4

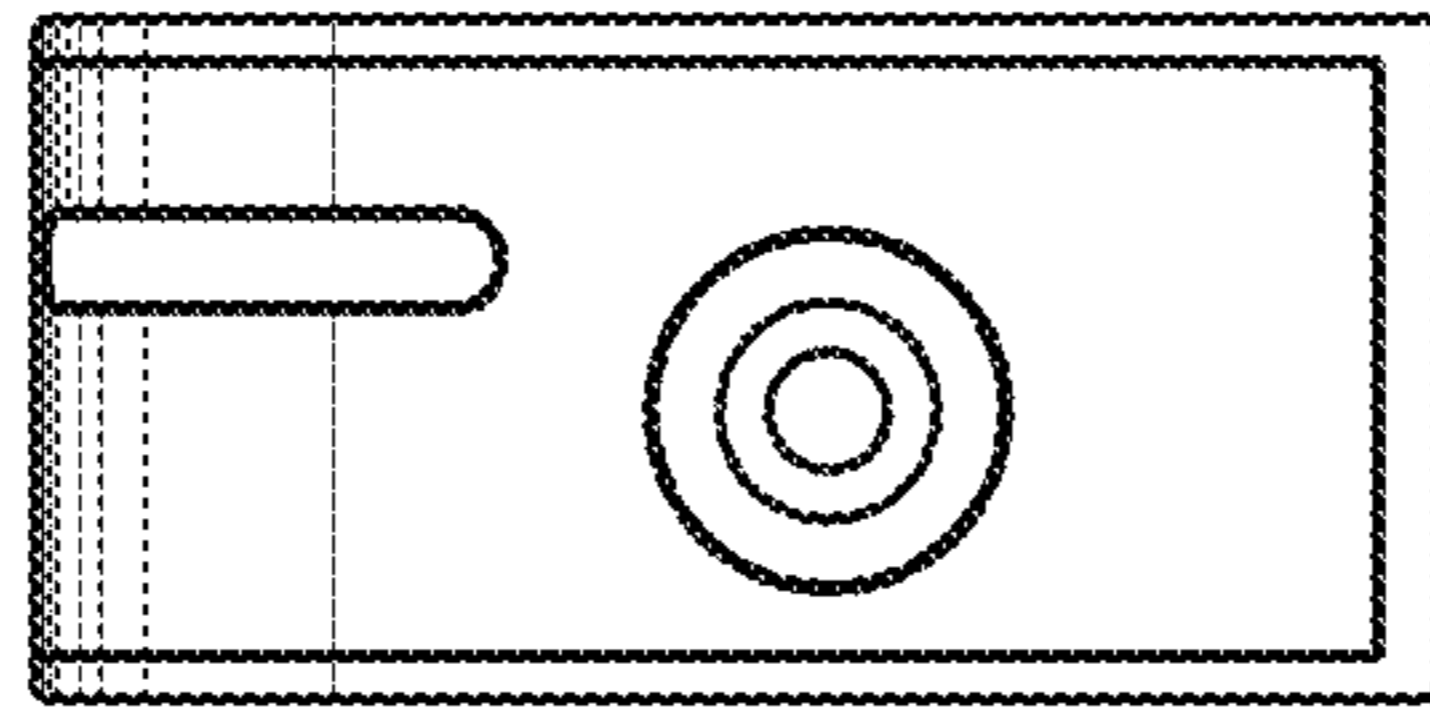


FIG. 5

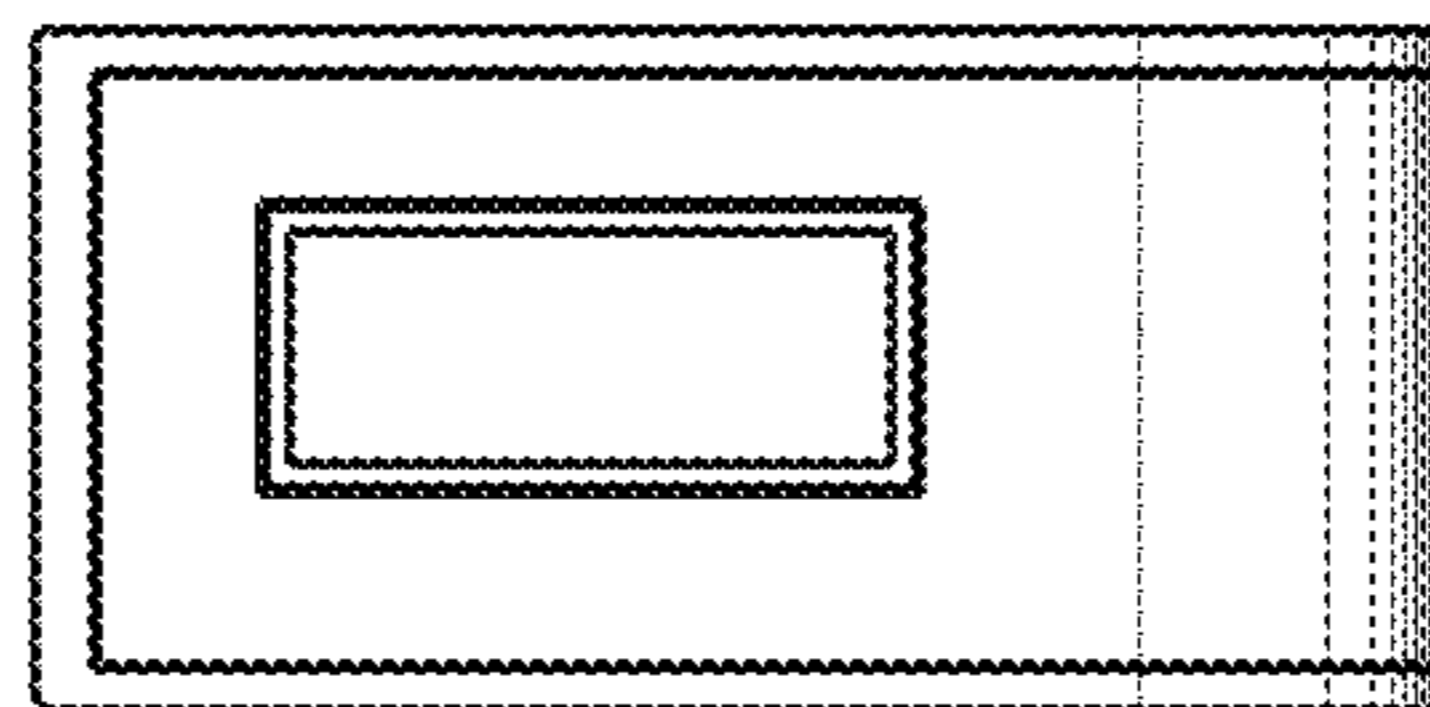


FIG. 6

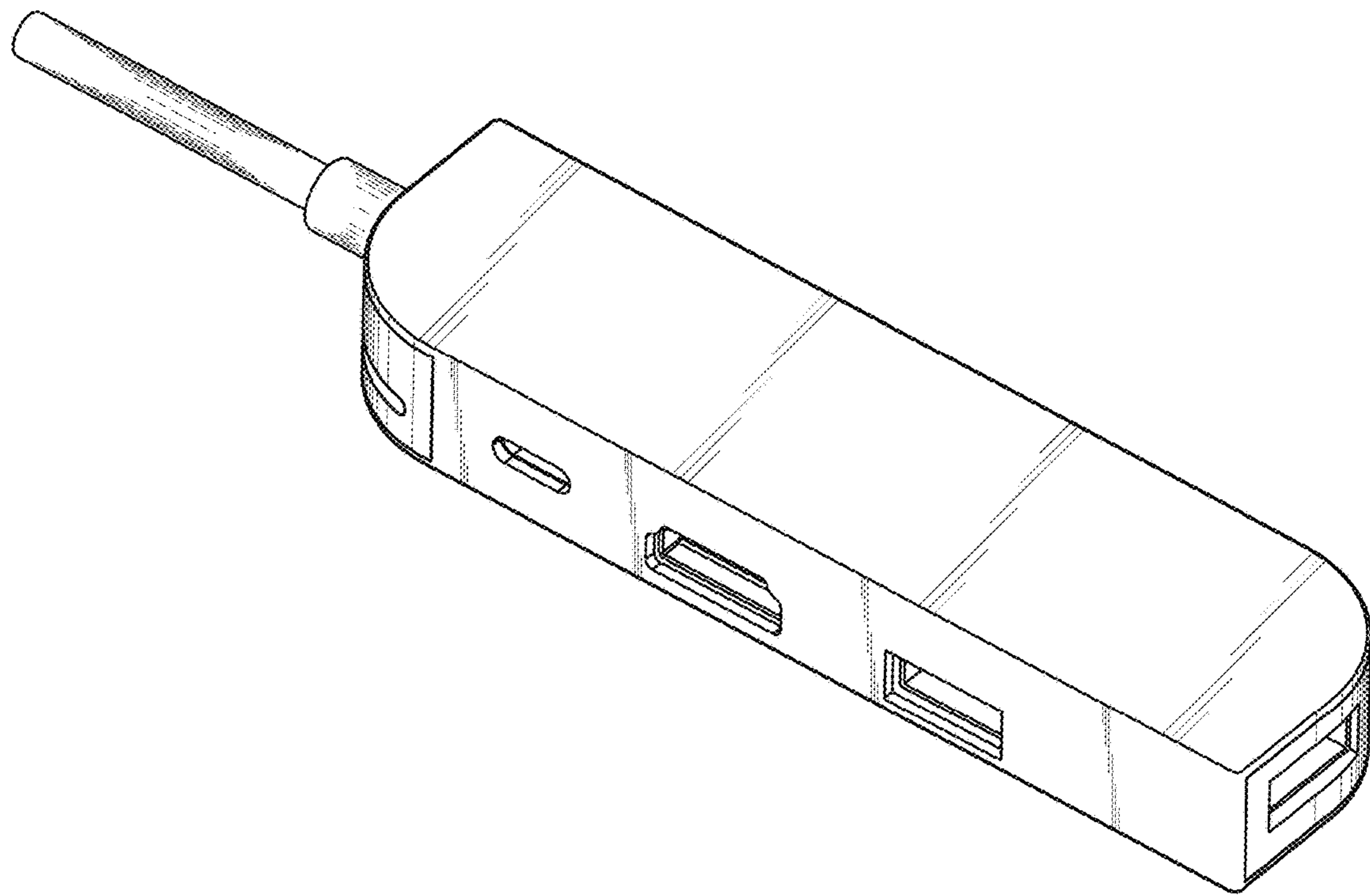


FIG.7