



US00D828354S

(12) **United States Design Patent**
Chuang et al.

(10) **Patent No.:** **US D828,354 S**
(45) **Date of Patent:** **** Sep. 11, 2018**

(54) **PORT REPLICATOR**
(71) Applicant: **Quanta Computer Inc.**, Taoyuan (TW)
(72) Inventors: **Shun-Kai Chuang**, Taoyuan (TW);
Chih-Kang Ting, Taoyuan (TW);
Chang-Ta Miao, Taoyuan (TW);
Gwo-Chyuan Chen, Taoyuan (TW)
(73) Assignee: **QUANTA COMPUTER INC.**,
Guishan Dist., Taoyuan (TW)

6,206,578 B1 * 3/2001 Shin G02B 6/3885
385/134
D561,186 S * 2/2008 Kawase D14/434
D720,755 S * 1/2015 Nokuo D14/433
D742,884 S * 11/2015 Seflic D14/433
D755,184 S * 5/2016 Uranga D14/433
D769,246 S * 10/2016 Mielnik D14/433
D776,659 S * 1/2017 Hou D14/433
D785,632 S * 5/2017 VanDuyn D14/433
D788,112 S * 5/2017 Liao D14/433
D789,371 S * 6/2017 Iwamoto D14/433
D794,028 S * 8/2017 Lin D14/433
D808,392 S * 1/2018 Bo D14/433

(**) Term: **15 Years**

* cited by examiner

(21) Appl. No.: **29/569,064**

Primary Examiner — Austin Murphy

(22) Filed: **Jun. 23, 2016**

(74) *Attorney, Agent, or Firm* — McClure, Qualey & Rodack, LLP

(51) **LOC (11) Cl.** **14-02**

(57) **CLAIM**

(52) **U.S. Cl.**
USPC **D14/433**

The ornamental design for port replicator, as shown and described.

(58) **Field of Classification Search**
USPC D14/240, 242, 356, 358, 363, 365, 367,
D14/370, 432-437, 439, 498, 125, 366,
D14/168, 496; D13/147, 164, 123, 133,
D13/146, 110, 199, 103, 162, 159, 160,
D13/184; 361/683, 684, 686, 724, 735,
361/737, 752; D18/40
CPC H01R 25/006; H01R 27/02; H01R 31/005;
G06F 13/4022; G06F 13/382; G06F
1/1632; G06F 1/1684; G06F 1/20; G06F
1/1607
See application file for complete search history.

DESCRIPTION

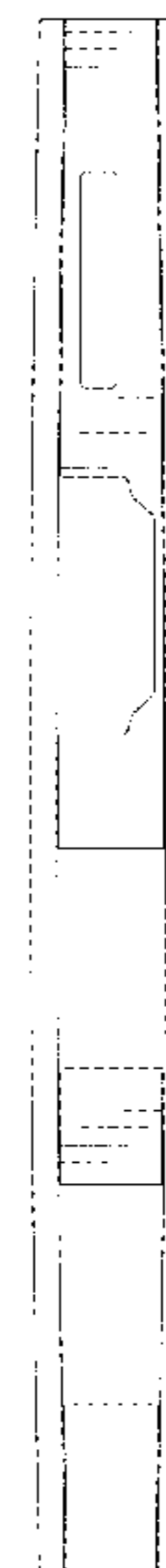
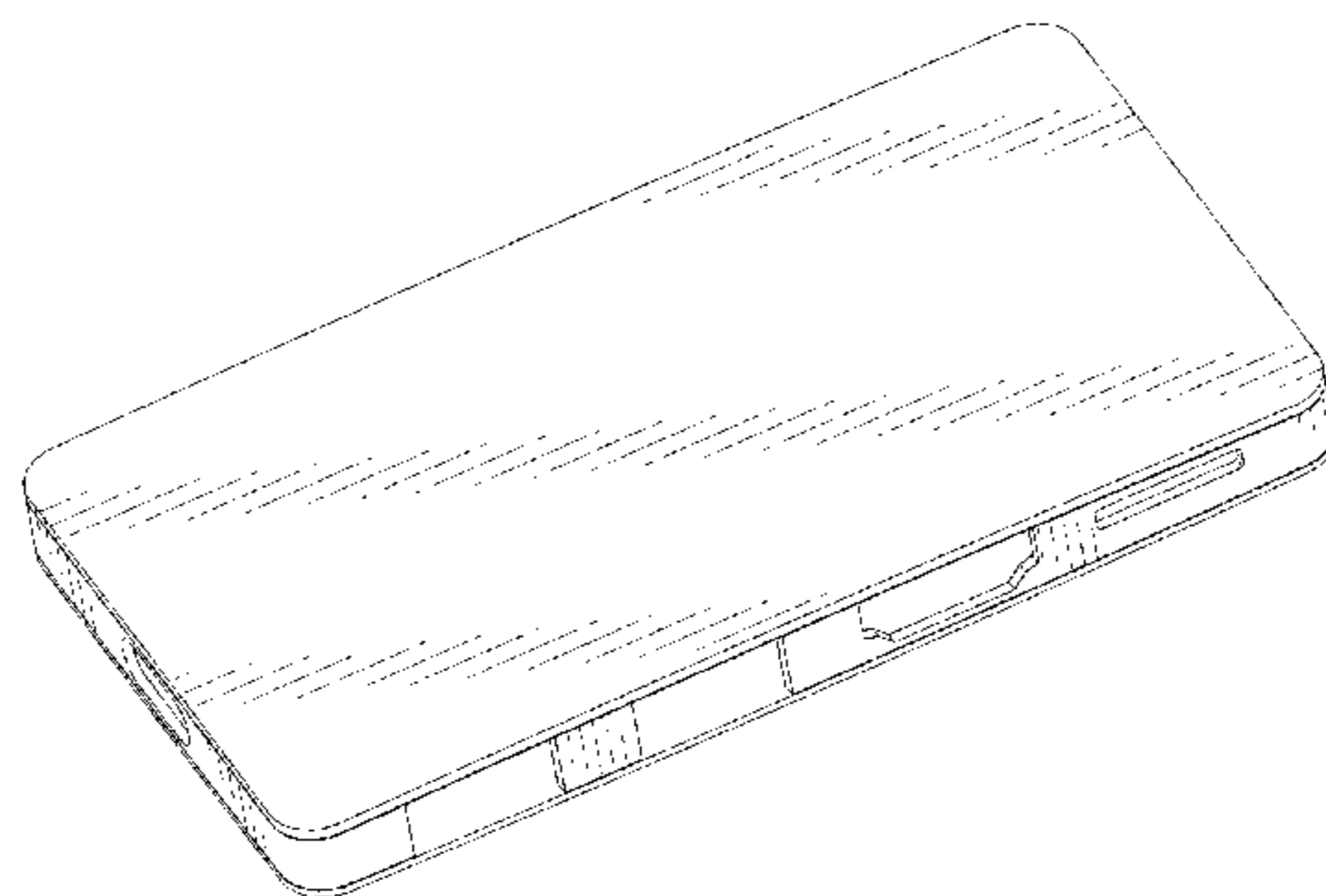
FIG. 1 is a front perspective view of a port replicator in accordance with our new design;
FIG. 2 is a front view thereof;
FIG. 3 is a rear view thereof;
FIG. 4 is a left side view thereof;
FIG. 5 is a right side view thereof;
FIG. 6 is a top plan view thereof;
FIG. 7 is a bottom plan view thereof;
FIG. 8 is a reference perspective view showing the port replicator before connecting to a laptop computer; and,
FIG. 9 is another reference perspective view showing the port replicator when connecting to a laptop computer.
The broken lines showing a laptop computer in FIGS. 8 and 9 are for illustrative purposes only and form no part of the claimed design.

(56) **References Cited**

U.S. PATENT DOCUMENTS

D364,853 S * 12/1995 Ojeda D14/434
5,687,387 A * 11/1997 Endejan G06F 1/1601
439/638

1 Claim, 8 Drawing Sheets



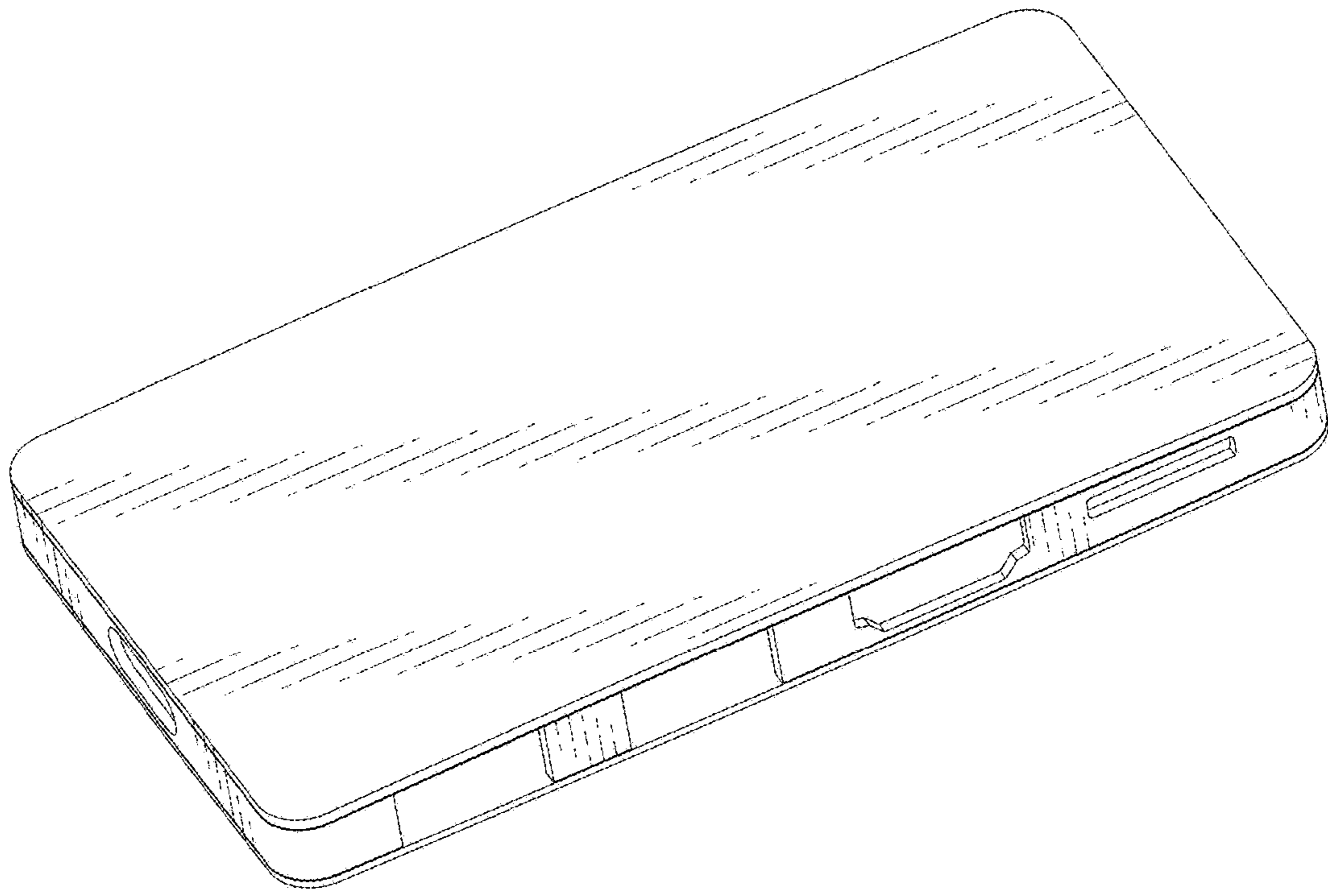


FIG. 1

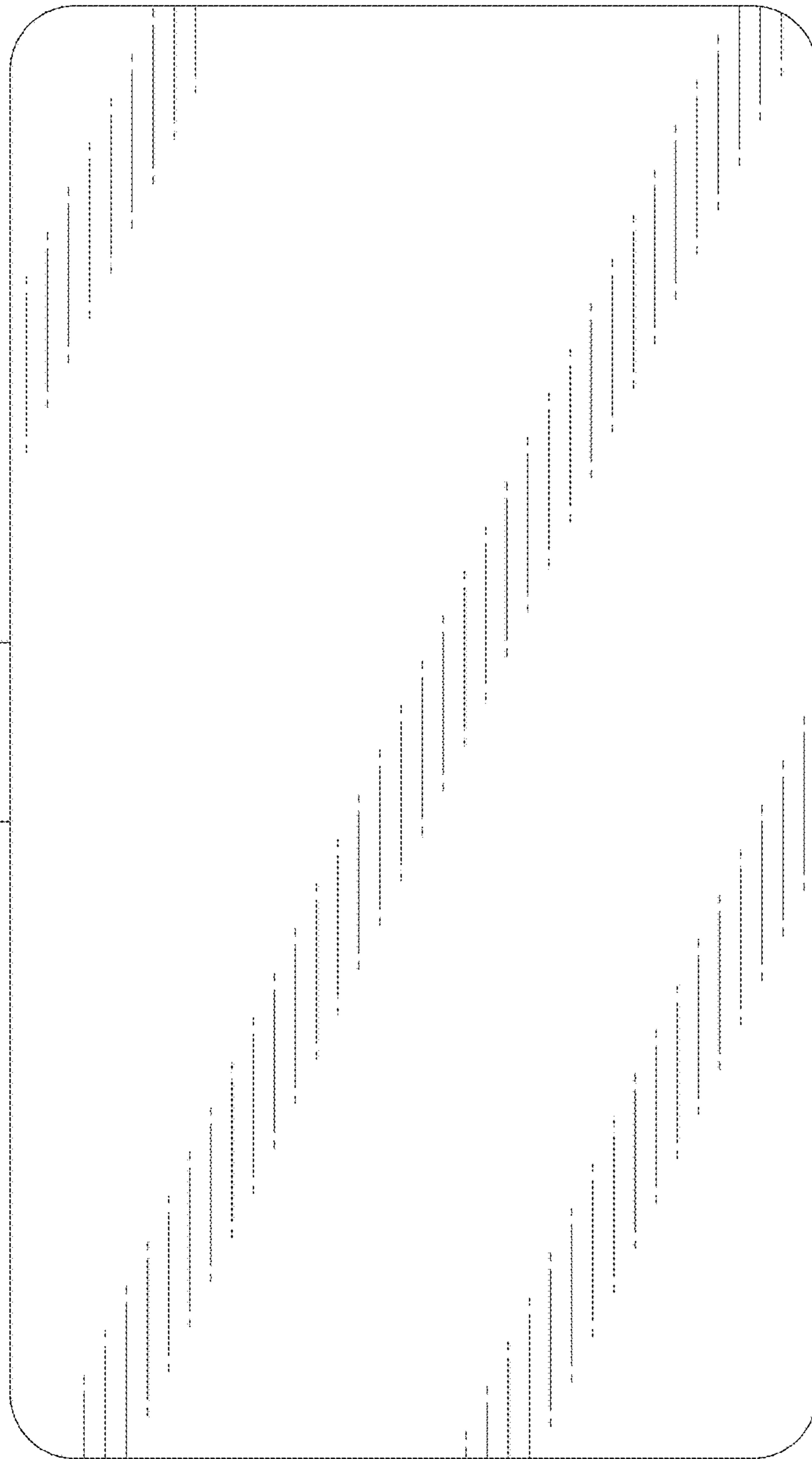


FIG. 2

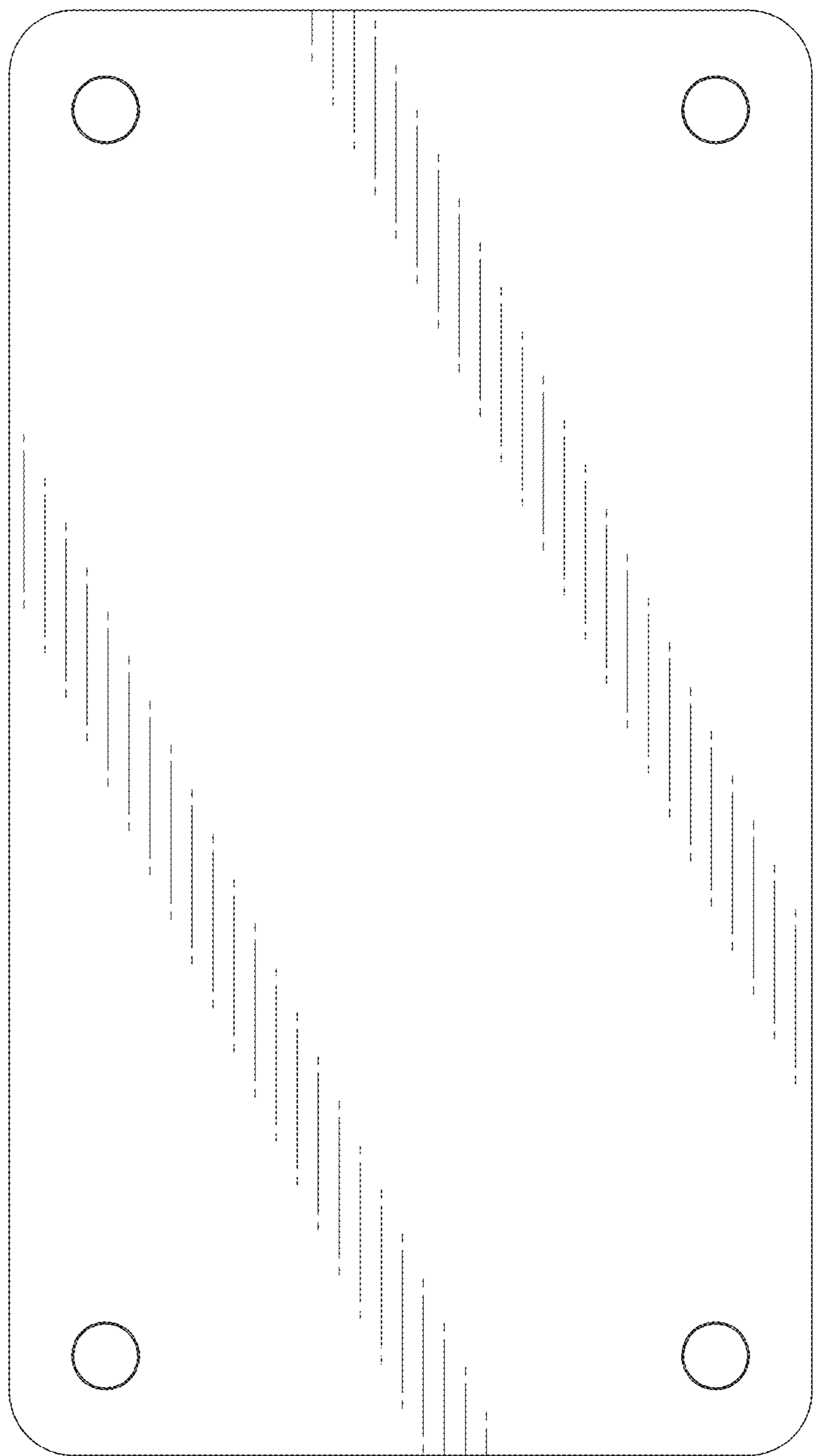


FIG. 3

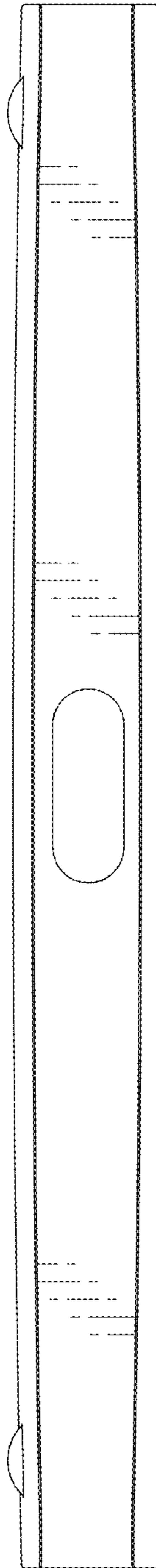


FIG. 4

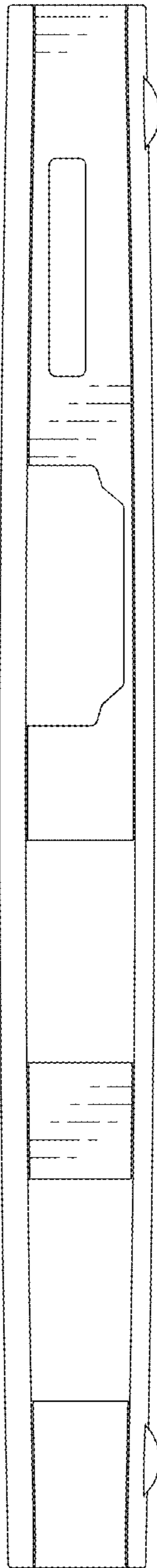


FIG. 5

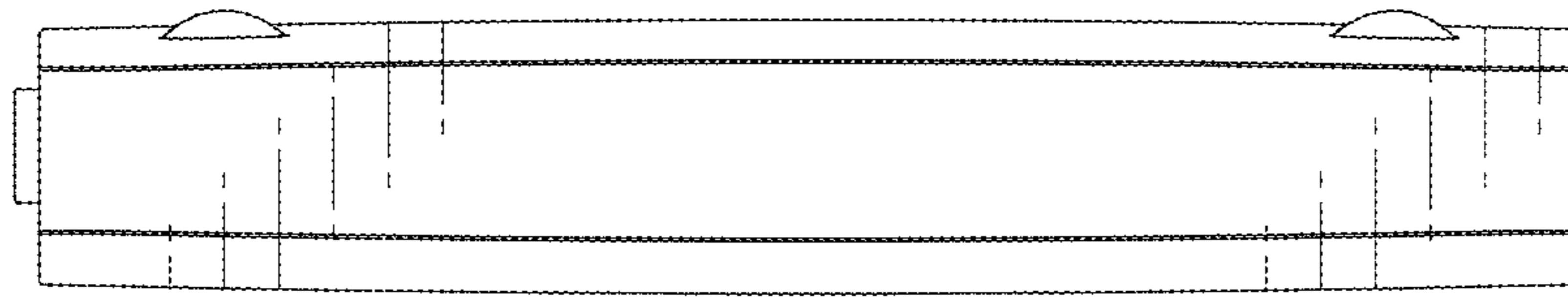


FIG. 6

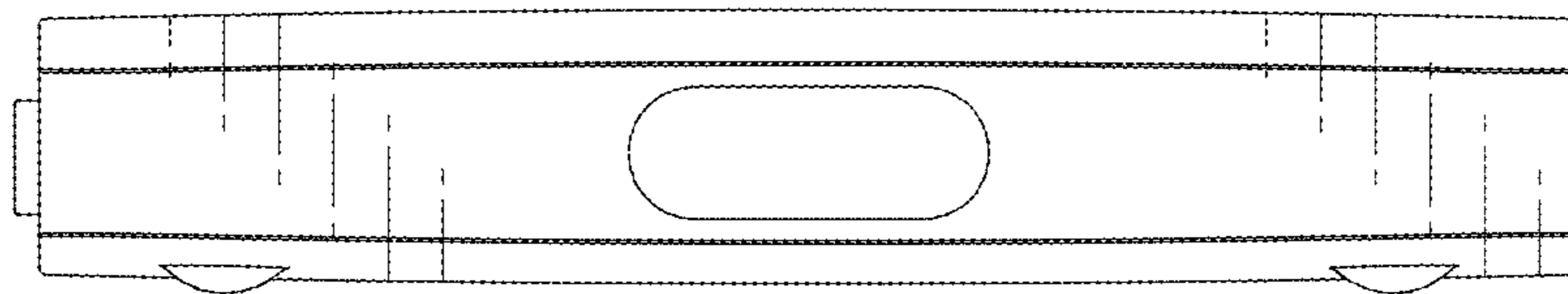


FIG. 7

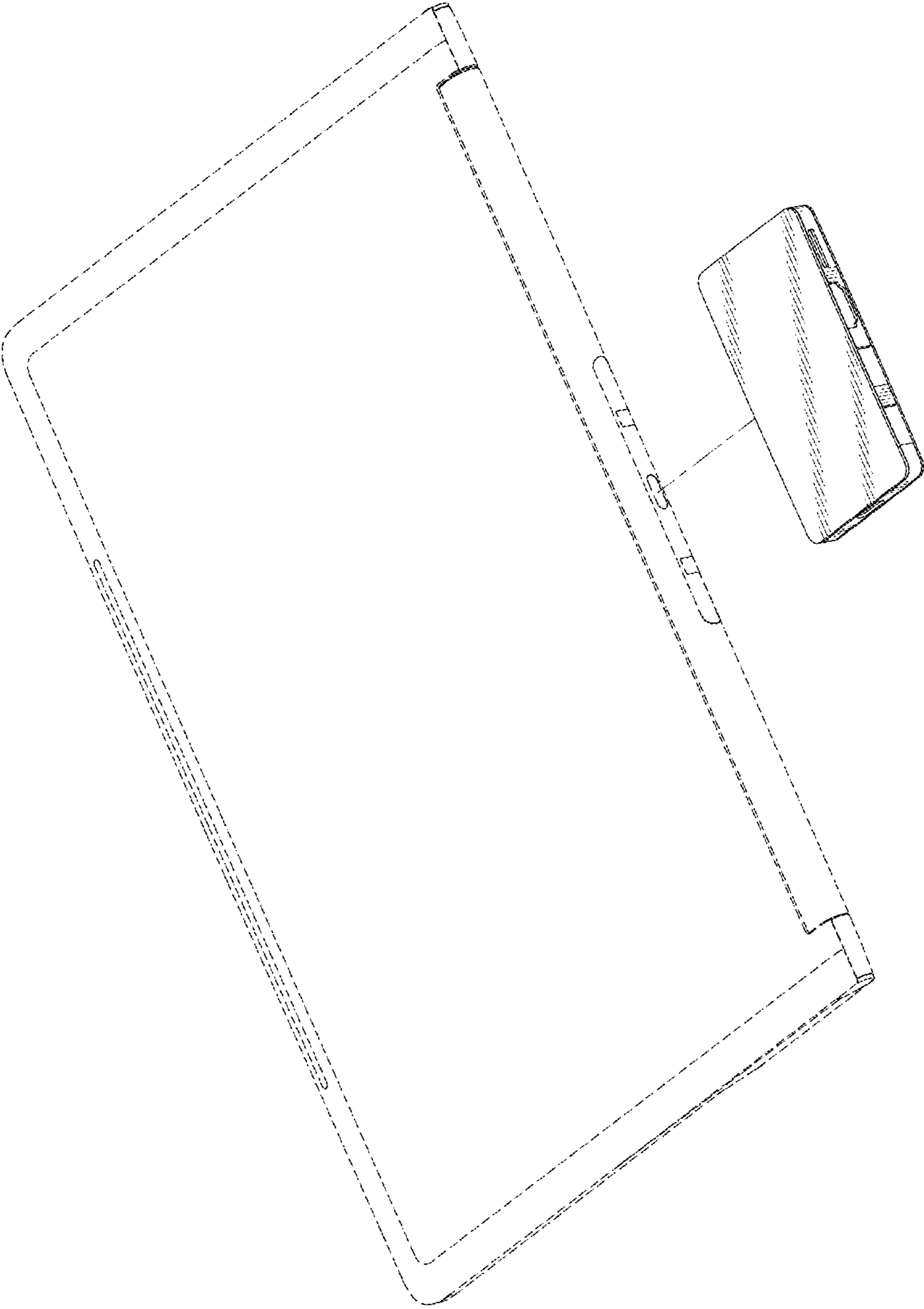


FIG. 8

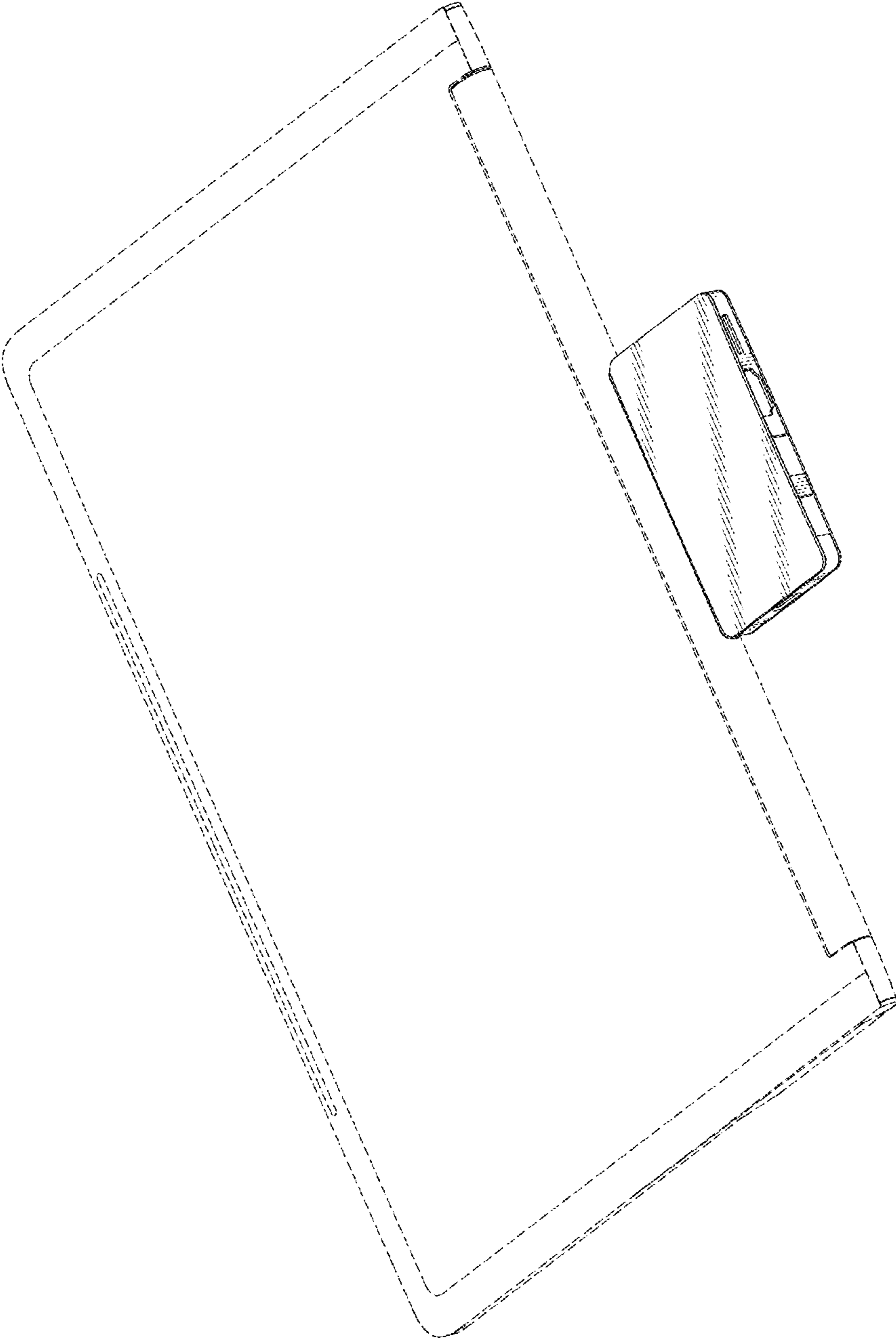


FIG. 9