

US D828,352 S

D383,985 S	9/1997	Davenport	D737,157 S	8/2015	Akana et al.	
D386,980 S	12/1997	Houlihan	D737,158 S	8/2015	Akana et al.	
5,886,669 A	3/1999	Kita	D737,159 S	8/2015	Akana et al.	
D439,172 S	3/2001	Brzezinski	D739,780 S	9/2015	Akana et al.	
D440,901 S	4/2001	Bruce et al.	D740,693 S	* 10/2015	Carmichael	D10/32
6,219,303 B1	4/2001	Morohoshi et al.	D741,726 S	10/2015	Akana et al.	
D441,680 S	5/2001	Bruce et al.	D744,356 S	12/2015	Akana et al.	
6,238,083 B1	5/2001	Hirano et al.	D745,421 S	12/2015	Akana et al.	
D455,093 S	4/2002	Fitzgerald	D746,707 S	1/2016	Akana et al.	
D473,818 S	4/2003	Salvisberg	D746,868 S	1/2016	Akana et al.	
6,655,831 B1	12/2003	Ruffieux	D747,997 S	1/2016	Akana et al.	
D494,098 S	8/2004	Cohen	D748,008 S	1/2016	Akana et al.	
D496,589 S	9/2004	Perrenoud	D748,009 S	1/2016	Akana et al.	
6,801,476 B2	10/2004	Gilmour	D748,010 S	1/2016	Akana et al.	
6,970,157 B2	11/2005	Siddeeq	D748,527 S	2/2016	Akana et al.	
D513,195 S	12/2005	Gruosi	D749,009 S	2/2016	Akana et al.	
7,004,469 B2	2/2006	Von Goeben	D749,460 S	2/2016	Akana et al.	
D528,018 S	9/2006	Burton	D750,524 S	* 3/2016	Akana	D11/3
D528,439 S	9/2006	Burton	D751,070 S	3/2016	Akana et al.	
D528,928 S	9/2006	Burton	D751,550 S	3/2016	Solomon et al.	
7,106,197 B2	9/2006	Gaiotto et al.	D752,044 S	3/2016	Akana et al.	
D536,265 S	2/2007	Reynoso	D756,357 S	* 5/2016	Akana	D10/30
D538,687 S	3/2007	Komulainen	D756,824 S	5/2016	Akana et al.	
D549,602 S	8/2007	Oberrieder et al.	D757,819 S	5/2016	Akana et al.	
D550,105 S	9/2007	Oberrieder et al.	D758,363 S	6/2016	Akana et al.	
7,275,667 B2	10/2007	Bertucci	D759,011 S	* 6/2016	Akana	D14/344
D558,227 S	12/2007	Cho et al.	D759,121 S	6/2016	Akana et al.	
D560,520 S	1/2008	Oberrieder et al.	D759,725 S	* 6/2016	Akana	D14/496
D564,904 S	3/2008	Leung	D760,395 S	6/2016	Barbaric et al.	
D569,282 S	5/2008	Daniel	D764,340 S	8/2016	Akana et al.	
D572,266 S	7/2008	Anderson et al.	D764,346 S	8/2016	Akana et al.	
D573,905 S	7/2008	Poirier	D764,967 S	8/2016	Akana et al.	
D574,735 S	8/2008	Landman et al.	D766,752 S	9/2016	Akana et al.	
D578,922 S	10/2008	Hoshino	D768,025 S	10/2016	Akana et al.	
D584,170 S	1/2009	Morrison	D768,623 S	10/2016	Zou et al.	
D586,823 S	2/2009	Anderson et al.	D768,634 S	10/2016	Akana et al.	
D589,375 S	3/2009	Tang	D769,869 S	* 10/2016	Zhou	D10/38
D596,610 S	7/2009	Hou	D771,035 S	11/2016	Akana et al.	
7,591,581 B2	9/2009	Lovegrove et al.	D771,036 S	* 11/2016	Akana	D14/344
D610,476 S	2/2010	Daniel	D771,038 S	11/2016	Akana et al.	
D616,417 S	5/2010	Liao	D778,912 S	2/2017	Akana et al.	
7,708,457 B2	5/2010	Girardin et al.	9,737,123 B2	* 8/2017	Wright	A45C 13/008
D622,164 S	8/2010	Mikkelsen	D802,465 S	* 11/2017	Dukerschein	D11/3
D631,373 S	1/2011	Mikkelsen	D802,467 S	* 11/2017	Novak	D11/3
D637,094 S	5/2011	Cobbett et al.	D802,587 S	* 11/2017	Lee	D14/344
D637,918 S	5/2011	Cobbett et al.	2001/0017663 A1	8/2001	Yamaguchi et al.	
D645,360 S	9/2011	Kiser et al.	2002/0051075 A1	5/2002	Yamaguchi et al.	
D650,706 S	12/2011	Zanella et al.	2010/0061191 A1	3/2010	Chen	
D666,503 S	9/2012	Bulgari	2014/0096345 A1	4/2014	Tschumi	
D670,583 S	11/2012	Shaanan	2014/0098649 A1	4/2014	Tschumi	
D672,667 S	12/2012	Mix	2016/0062392 A1*	3/2016	Townsend	G06F 1/163 361/679.03
D681,483 S	5/2013	Biegert et al.	2016/0062405 A1*	3/2016	Mylvaganam	B23K 26/364 361/679.03
8,601,784 B2	12/2013	Kaltenrieder	2017/0046451 A1	2/2017	Akana et al.	
8,613,544 B2	12/2013	Kitahara et al.	2017/0065038 A1	3/2017	Griffin, II et al.	
D699,701 S	2/2014	Kim				
D714,288 S	9/2014	Aumiller et al.				
D715,674 S	10/2014	Squires				
D717,678 S	11/2014	Anderssen et al.				
D717,679 S	11/2014	Anderssen et al.				
D719,123 S	12/2014	Park et al.				
D719,467 S	12/2014	Bradbury				
D720,249 S	12/2014	Park et al.				
D720,355 S	12/2014	Akana et al.				
8,960,510 B2	2/2015	Bertucci				
D724,103 S	3/2015	Akana et al.				
D724,176 S	3/2015	Maestas				
D724,469 S	3/2015	Akana et al.				
D724,556 S	* 3/2015	Choi				D10/32
D727,197 S	4/2015	Akana et al.				
D727,198 S	* 4/2015	Akana				D11/3
D727,199 S	4/2015	Akana et al.				
D727,787 S	4/2015	Akana et al.				
D728,624 S	5/2015	Akana et al.				
D729,237 S	* 5/2015	Fagnot				D14/344
D729,654 S	5/2015	Nuovo et al.				
D729,670 S	5/2015	Nuovo et al.				
D731,346 S	6/2015	Akana et al.				
D732,416 S	6/2015	Akana et al.				
D737,156 S	8/2015	Akana et al.				

FOREIGN PATENT DOCUMENTS

CN	302900930 S	8/2014
DE	19513647 A1	10/1995
DE	10229050 C1	6/2003
EP	1098231 A1	5/2001
EP	001109706-0025	5/2009
EP	2636328 A1	9/2013
ES	001359301-0002	6/2013
GB	618917 A	3/1949
GB	1056574	8/1989
GB	2047767	9/1995
GB	2049316	12/1995
GB	2082277	6/1999
HK	0501949.8	12/2005
HK	1001605.7	12/2010
JP	D1126907	11/2001
JP	D1337795	8/2008
JP	D1423962	9/2011
JP	D1433115	2/2012
JP	D1448029	8/2012
JP	D1462747	2/2013

WO	WO-DM/012262-001	1/1989
WO	WO-DM/049450-002	12/1999
WO	WO-DM/066491-004	3/2005
WO	WO-DM072215	9/2009
WO	WO-DM/077452-004	6/2011
WO	WO-DM/079044-003	9/2012
WO	WO-2013182397 A1	12/2013
WO	WO-2014135709 A2	9/2014

OTHER PUBLICATIONS

Google's upcoming smartwatch is an Android project not X Lab, posted Mar. 22, 2013, [retrieved Jul. 22, 2016]. Retrieved from Internet, <URL: <http://www.talkandroid.com/155456-google-upcoming-smartwatch-is-an-android-project-not-x-lab/>>.*

Omate Smartwatch Launches On Kickstarter Offering A Wealth Of Features, posted Aug. 22, 2013, [retrieved Jul. 22, 2016]. Retrieved from Internet, <URL: <http://www.geeky-gadgets.com/omate-smartwatch-launches-on-kickstarter-offering-a-wealth-of-features-video-22-08-2013/>>.*

Apple Watch: What We Know So Far, posted Feb. 24, 2015, [retrieved Jun. 19, 2017]. Retrieved from Internet, <URL: <https://watchaware.com/post/4552/apple-watch-what-we-know-so-far-test-title>>.*

Battle of the Smartwatches: Apple Watch vs. the Android Wear Host [Design], posted Sep. 10, 2014, [retrieved Jun. 19, 2017]. Retrieved from Internet, <URL: <http://news.softpedia.com/news/Battle-of-the-Smartwatches-Apple-Watch-vs-the-Android->>.*

IkePod Horizon, posted Jun. 20, 2008, [retrieved Oct. 25, 2017]. Retrieved from Internet, <URL: <http://kontaktmag.com/industrial/ikepod-horizon/>>.*

Alvarez, Edgar, "Basis Peak to get its smartwatch-like features in December," *engadget.com*, <<http://www.engadget.com/2014/11/20/basis-peak-new-features/>>, dated Nov. 20, 2014, accessed Dec. 15, 2014.

Apple Watch: What We Know So Far, posted Feb. 24, 2015] Retrieved from Internet, (URL: <<https://watchaware.com/post/4552/apple-watch-what-we-know-so-far-test-title>>), accessed on Jun. 16, 2017.

Battle of the Smart watches: Apple Watch vs. the Android Wear Host [Design] The Apple Watch is here, but what will you choose?, posted Sep. 10, 2014, Retrieved from Internet, (URL: http://news.softpedia.com/news/Battle-of-the-Smartwatches-Apple-Watch-vs-the-Android-Wear-Host-Design-458328.shtml#sgal_1), accessed on Jun. 16, 2017.

Cool Material, "Braun Square Digital Watch," <<http://web.archive.org/web/20111125033014/http://coolmaterial.com/style/braun-square-digital-watch/>>, dated Nov. 25, 2011, accessed Dec. 18, 2014.

Emily, "Nixon—The Newton Digital," <<http://www.freshnessmag.com/2009/09/08/nixon-the-newton-digital/>>, *freshnessmag.com*, dated Sep. 8, 2009, accessed Oct. 9, 2014.

etsy.com, "1 Set Silver End Cap Clasp—Findings Large Toggle Clasp End Caps Buckle Connector with Five Inside Loops for Jewelry Making 26mm," <<http://www.etsy.com/listing/101269004/1-set-silver-end-cap-clasp-findings?ref=market>>, Listed on Aug. 29, 2014, accessed Oct. 9, 2014.

"Field Ops Watch Band Kit" <<http://www.511tactical.com/field-ops-watch-band-kit.html>>, accessed Nov. 25, 2014.

Fitbit, "Fitbit Surge™ Fitness Super Watch" <<https://www.fitbit.com/surge>>, accessed Dec. 15, 2014.

geekbuying.com, "Makibes unisex red led digital wrist watch with square case silicone watchband—white," <<http://www.geekbuying.com/item/Unisex-Red-LED-Digital-Wrist-Watch-with-Square-Case-Silicone-Watchband---White-326443.html>>, accessed Oct. 9, 2014.

Google's upcoming smartwatch is an Android project not X Lab, posted Mar. 22, 2013, [retrieved Jul. 22, 2016]. Retrieved from Internet, <URL: <http://www.talkandroid.com/155456-google-upcoming-smartwatch-is-an-android-project-not-x-lab/>>.

Hiemstra, Graham, "Worn & Wound Model 1 Horween Watch Strap," <<http://www.coolhunting.com/style/worn-wound-model-1-horween-watch-strap>>, dated Aug. 27, 2013, accessed Nov. 25, 2014.

Hilbourne, Jason, "Wide Body: straps for Pebble," <<https://www.kickstarter.com/projects/1171859847/wide-body-straps-for-pebble>>, Listed Apr. 2, 2013, accessed Nov. 25, 2014.

Hodinkee.com, "Apple iPod Nano Now Available With Mickey Mouse Dial, Also Cheesy, Mechanically Inaccurate Open-Worked Dial," <<http://web.archive.org/web/20111006043916/http://www.hodinkee.com/blog/2011/10/5/apple-ipod-nano-now-available-with-mickey-mouse-dial-also-ch.html>>, dated Oct. 6, 2011, accessed Dec. 18, 2014.

Homego, "M6 Silver Smart Watch Cell Phone 1.54 inch Bluetooth 3.0 Dialer Outdoor Sports Pedometer," *amazon.com*, <<http://www.amazon.com/Silver-Bluetooth-Dialer-Outdoor-Pedometer/dp/B00MQTBGK6>>, accessed Dec. 15, 2014.

Ikepod, "Original Ikepod Watch With GMT—Marc Newson Design," *Watchbox.be*, <<http://www.watchbox.be/prod/Others-Watches/Marc%20Newson%20Design/item7165.htm#.VJLm2fAo5D8>>, accessed Dec. 17, 2014.

LG Life's Good, "LG G Watch (W100)," <<http://www.lg.com/us/smart-watches/lg-W100-g-watch>>, accessed Dec. 18, 2014.

Metawatch, "Frame—Black (MW3005)," <<http://meta.watch/collections/smartwatch-all/products/frame-ss-black-leather>>, accessed Dec. 15, 2014.

Omate, "Omate TrueSmart: Water-resistant standalone Smartwatch 2.0," <<http://www.kickstarter.com/projects/omate/omate-truesmart-water-resistant-standalone-smartwa>>, dated Aug. 21, 2013, accessed Oct. 8, 2014.

Omate Smartwatch Launches On Kickstarter Offering A Wealth Of Features, posted Aug. 22, 2013, [retrieved Jul. 22, 2016]. Retrieved from Internet, URL: <http://www.geeky-gadgets.com/omate-smartwatch-launches-on-kickstarter-offering-a-wealth-offeatures-video-22-08-2013/>.

Omate, "The TrueSmart™ is the world's first standalone smartwatch 2.0 running on top of Android and OUI 2.0," <<http://www.omate.com/product.html>>, accessed Dec. 15, 2014.

[Online] http://a.abcnews.com/images/Business/HT_gold_apple_iwatch_ief_140909_4x3_992.jpg, Retrieved on Feb. 4, 2015, 1 page.

Pebble, "Pebble Smartwatch," *getpebble.com*, <<https://getpebble.com/checkout>>, accessed Dec. 15, 2014.

Samsung, "Samsung Gear™ 2 Charcoal Black SM-R3800VSAXAR," <<http://www.samsung.com/us/mobile/wearable-tech/SM-R3800VSAXAR>>, accessed Dec. 15, 2014.

Samsung, "Samsung Gear S™, (Sprint), Black SM-R750PZKASPR," <<http://www.samsung.com/us/mobile/wearable-tech/SM-R750PZKASPR>>, accessed Dec. 15, 2014.

Samsung, "Galaxy Gear™ Live, Black SM-R3820ZKAXAR," <<http://www.samsung.com/us/mobile/wearable-tech/SM-R3820ZKAXAR>>, accessed Dec. 15, 2014.

Sony, "SmartWatch," <<http://www.sonymobile.com/us/products/accessories/smartwatch/>>, accessed Dec. 15, 2014.

Sony, "SmartWatch 3 SWR50," <<http://www.sonymobile.com/us/products/smartwear/smartwatch-3-swr50/>>, accessed Dec. 15, 2014.

Stables, James, "Clevercare smartwatch aims to help Alzheimer's suffers and carers: Revamped Sony SmartWatch 2 designed for users that need care," *Wearable News*, <<http://www.wearable.com/wearable-tech/clevercare-smartwatch-aims-to-help-alzheimers-suffers-and-carers-585>>, dated Dec. 15, 2014.

Team Luxe, "Collector's Edition: Hermes Carre H Watch," *Luxpresso*, <<http://luxpresso.com/news-couture/collectors-edition-hermes-carre-h-watch/2814>>, dated Jan. 10, 2011, accessed Dec. 18, 2014.

Ted Baker, "Ted Baker Men's TE1054 Time Flies Contemporary Square Digital Case Watch," <<http://www.amazon.com/Ted-Baker-TE1054-Contemporary-Digital/dp/B0045CRTYO%3FSubscriptionId%3DAKIAJ3U4YRIBWCGKZ2A%26tag%3Dfrases365-20%26linkCode%3Dsp1%26camp%3D2025%26creative%3D165953%26creativeASIN%3DB0045CRTYO>>, accessed Oct. 9, 2014.

"Timex Men's Q7B808 Ironman Triathlon 30-Lap Resin 16mm Replacement Watchband" <http://www.amazon.com/Timex-Ironman-Triathlon-Replacement-Watchband/dp/B003OPZ5D0/ref=sr_1_1?s=apparel&ie=UTF8&qid=1416701895&sr=1-1&keywords=Timex+Men%27s+Q7B808+Ironman+Triathlon+30-Lap+Resin+16mm+Replacement+Watchband>, accessed Nov. 25, 2014.

Velazco, Chris, "ASUS ZenWatch review: subtle and stylish, with a few shortcomings," Engadget.com, < <http://www.engadget.com/2014/12/11/asus-zenwatch-review/>>, dated Dec. 11, 2014, accessed Dec. 15, 2014.

WatchCat Online Shopping Mall, "PJS Seiko," < http://m.watchcat.co.kr/board/product/read.html?board_no=4&no=27504>, dated Oct. 26, 2012, accessed Oct. 8, 2015.

WatchCat Online Shopping Mall, "PVD Zulu style Military Nylon band/strap," <http://www.watchcat.kr/product/detail.html?product_no=5162&cate_no=642&display_group=1>, dated 2010, accessed Oct. 8, 2015.

Watches Infoniac.com, "Hermes Carre H Watch—Extremely Contemporary Design," < <http://watches.infoniac.com/carre-h-watch-hermes.html>>, dated Aug. 13, 2010, accessed Dec. 18, 2014.

Watchismo, "Braun BN0042 Black Date Leather," < <http://web.archive.org/web/20130815073830/http://www.watchismo.com/braun-bn0042bkbk.aspx>>, dated Aug. 15, 2013, accessed Dec. 18, 2014.

"Louis Moinet Geograph," posted at worldwatchreview.com, dated Mar. 14, 2011. Available from Internet: <<http://www.worldwatchreview.com/2011/03/14/louis-moinet-geograph-limited-edition/>>. Retrieved Oct. 10, 2017.

"Innovative Components Knurled Knob K4 Master," posted at knobsource.com/catalog_prints.html, Posting date unknown, Drawing dated Nov. 27, 2007. Available from Internet: <<http://www.knobsource.com/pdf/k4-master-rev-0.pdf>>. Retrieved Oct. 10, 2017.

* cited by examiner

Primary Examiner — Barbara Fox

Assistant Examiner — Kristin E Reed

(74) *Attorney, Agent, or Firm* — Sterne, Kessler, Goldstein & Fox P.L.L.C.

(57)

CLAIM

The ornamental design for a wearable device, as shown and described.

DESCRIPTION

FIG. 1 is a front view of a wearable device showing the claimed design;

FIG. 2 is a rear view thereof;

FIG. 3 is a right side view thereof;

FIG. 4 is a left side view thereof;

FIG. 5 is a top view thereof; and,

FIG. 6 is a bottom view thereof.

The oblique shade lines in the figures show a transparent, reflective, or shiny surface, and not surface ornamentation.

The broken lines in the figures show portions of the wearable device that form no part of the claimed design.

1 Claim, 4 Drawing Sheets

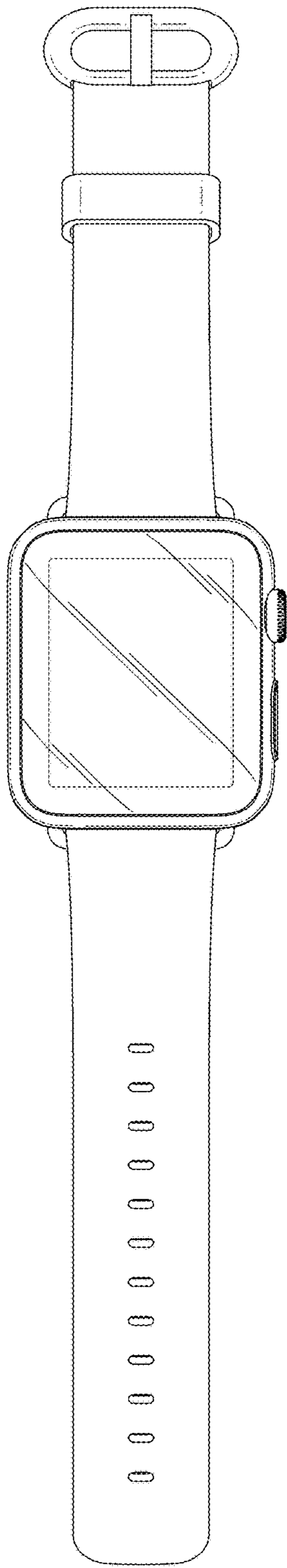


FIG. 1

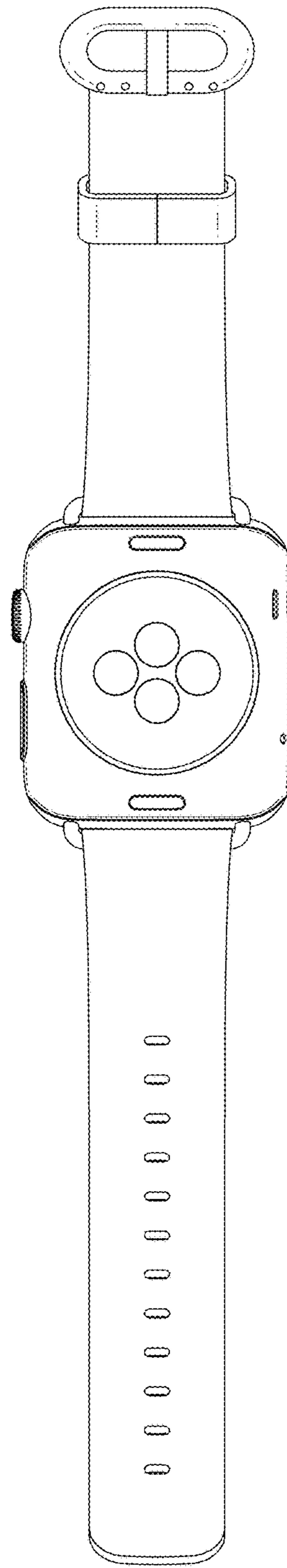


FIG. 2

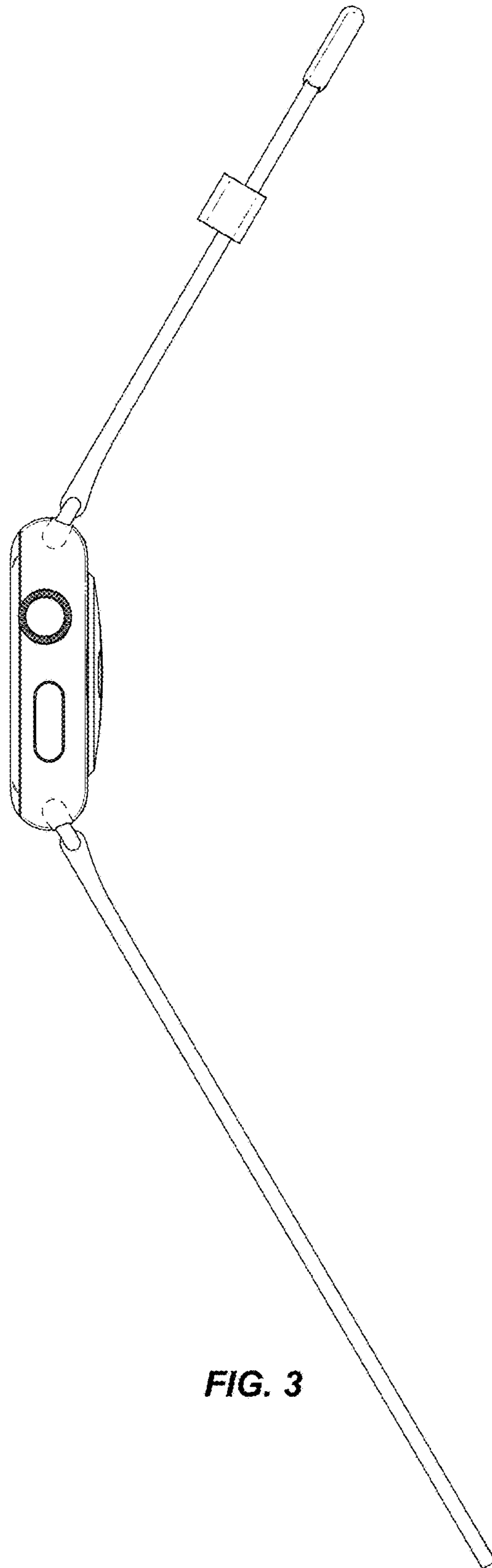


FIG. 3

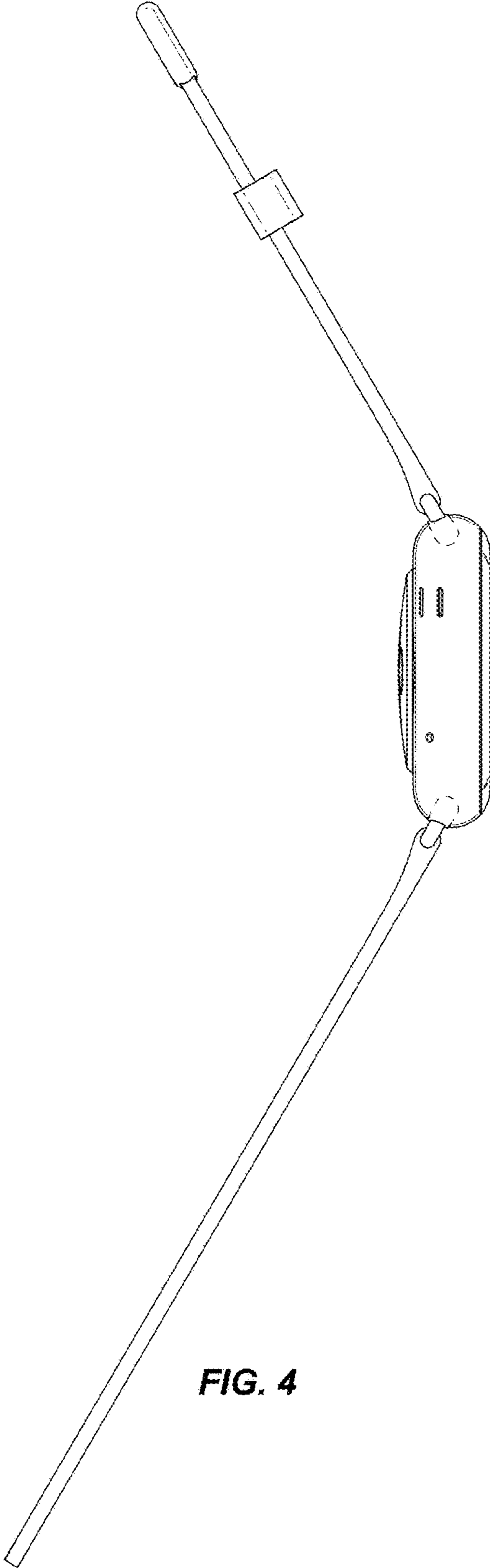


FIG. 4

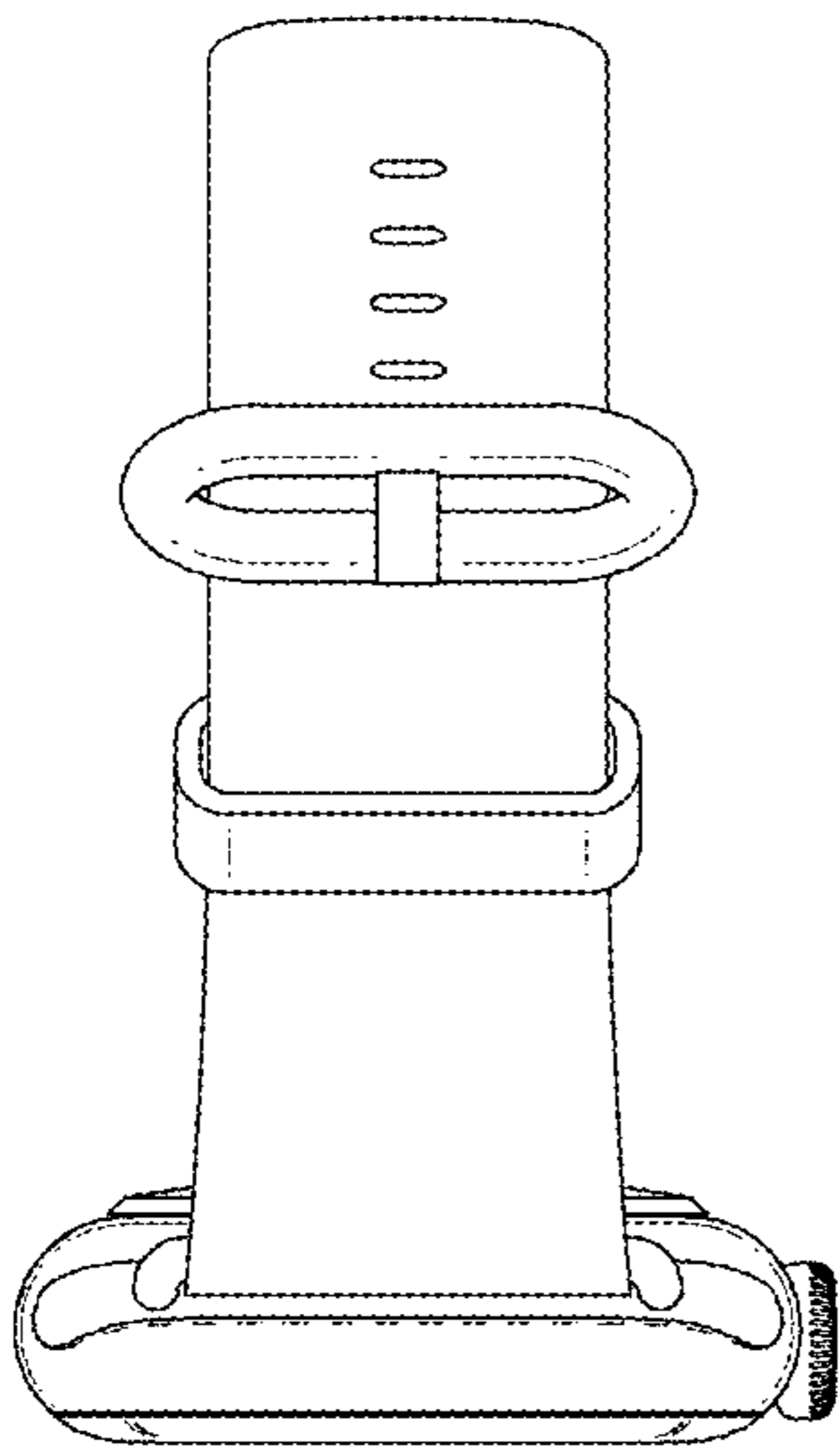


FIG. 5

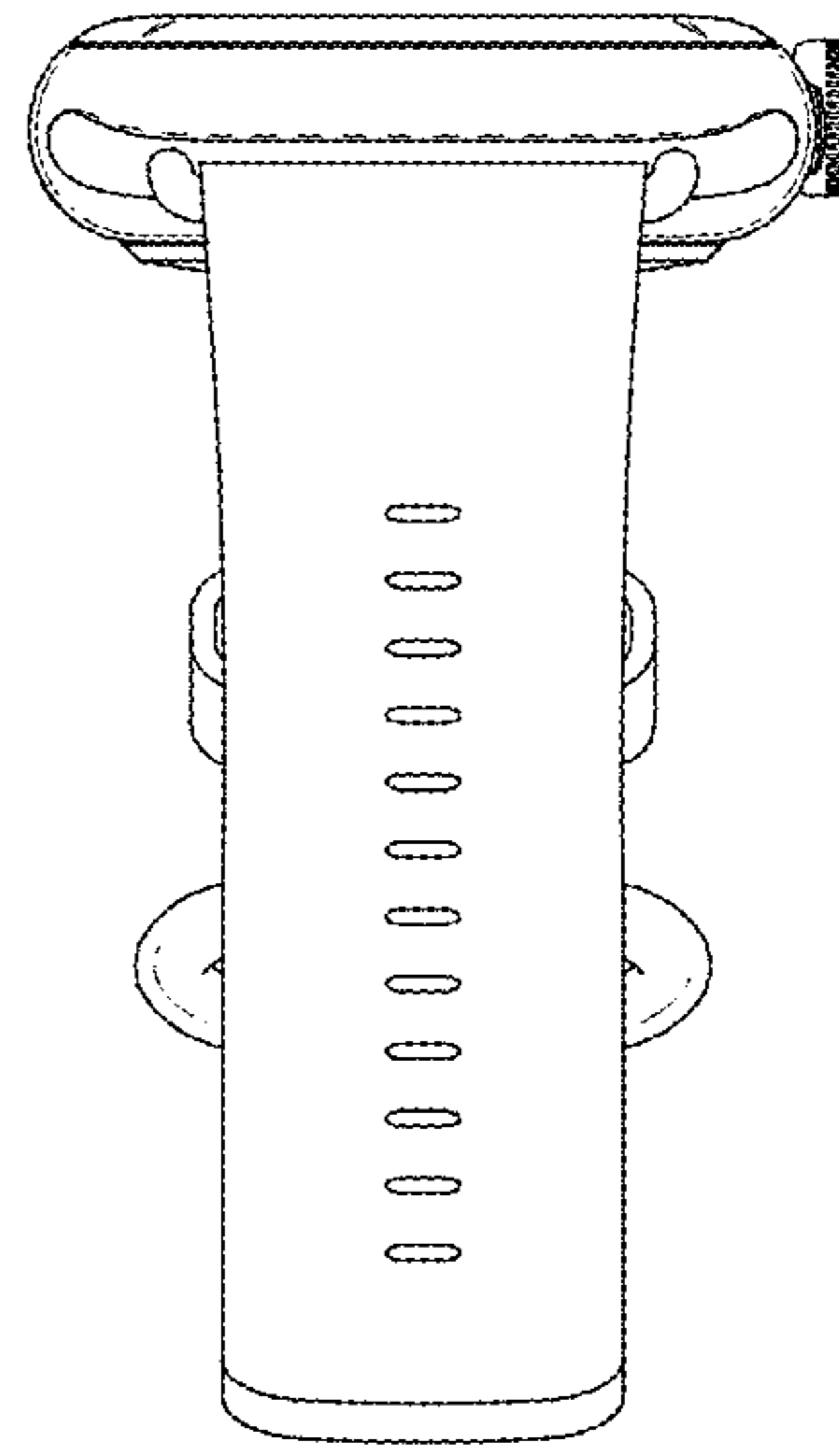


FIG. 6